



US00D975478S

(12) **United States Design Patent**
Dai

(10) **Patent No.:** **US D975,478 S**

(45) **Date of Patent:** **** Jan. 17, 2023**

(54) **WINE PICNIC TABLE**

D779,243 S * 2/2017 Wenzel A47B 13/16
D6/686

(71) Applicant: **Xi'an Wangchengchun Trading Co., Ltd.**, Xi'an (CN)

D871,811 S 1/2020 Xu

D892,515 S * 8/2020 Wang D6/406.5

D905,485 S * 12/2020 Shields D6/696

D911,759 S * 3/2021 Repp D6/707.19

D948,236 S * 4/2022 Wu D6/406.5

D966,019 S * 10/2022 Song D6/686

(72) Inventor: **Danfeng Dai**, Fujian Province (CN)

(**) Term: **15 Years**

* cited by examiner

(21) Appl. No.: **29/847,553**

Primary Examiner — Kelley A Donnelly

(22) Filed: **Jul. 26, 2022**

(51) **LOC (14) Cl.** **06-06**

(52) **U.S. Cl.**

USPC **D6/686**; D6/691.1

(58) **Field of Classification Search**

USPC D6/649, 685, 686, 691, 691.1, 697, 702,
D6/708.22

CPC A47B 13/00; A47B 13/003; A47B 13/02;
A47B 13/04; A47B 91/00; A47B
2200/001; A47B 3/00; A47B 3/002; A47B
3/14; A47B 23/00

See application file for complete search history.

(56) **References Cited**

U.S. PATENT DOCUMENTS

D376,928 S * 12/1996 Lorenzana D7/552.2

D380,727 S * 7/1997 Gilstrap D6/406.5

D382,727 S * 8/1997 Kresge D7/552.2

(57) **CLAIM**

The ornamental design for a wine picnic table, as shown and described.

DESCRIPTION

FIG. 1 is a front and top perspective view of a wine picnic table, showing my new design;

FIG. 2 is a rear and bottom perspective view thereof;

FIG. 3 is a front elevation view thereof;

FIG. 4 is a rear elevation view thereof;

FIG. 5 is a left side elevation view thereof;

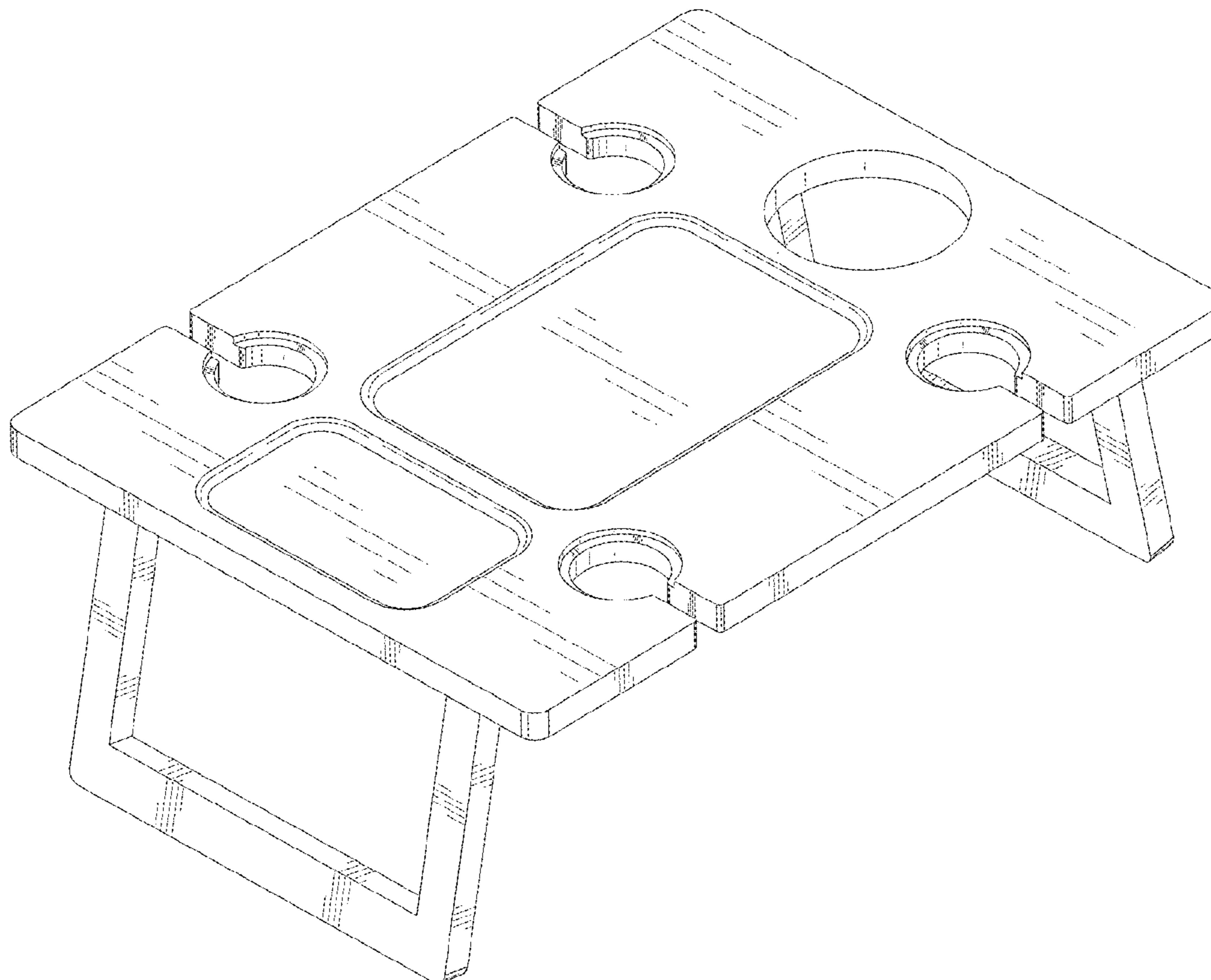
FIG. 6 is a right side elevation view thereof;

FIG. 7 is a top plan view thereof; and,

FIG. 8 is a bottom plan view thereof.

The broken lines in the figures illustrate portions of the wine picnic table that form no part of the claimed design.

1 Claim, 8 Drawing Sheets



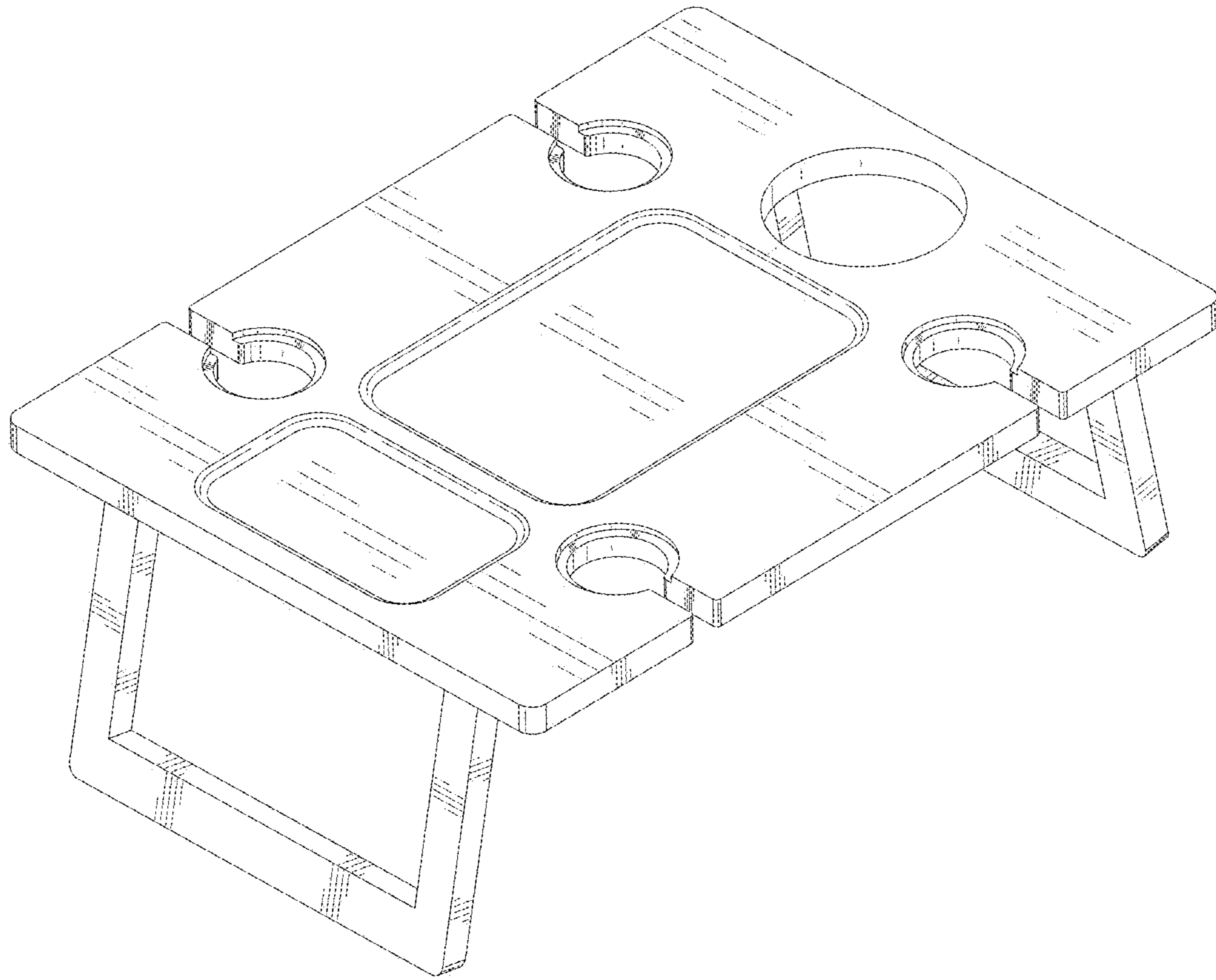


FIG. 1

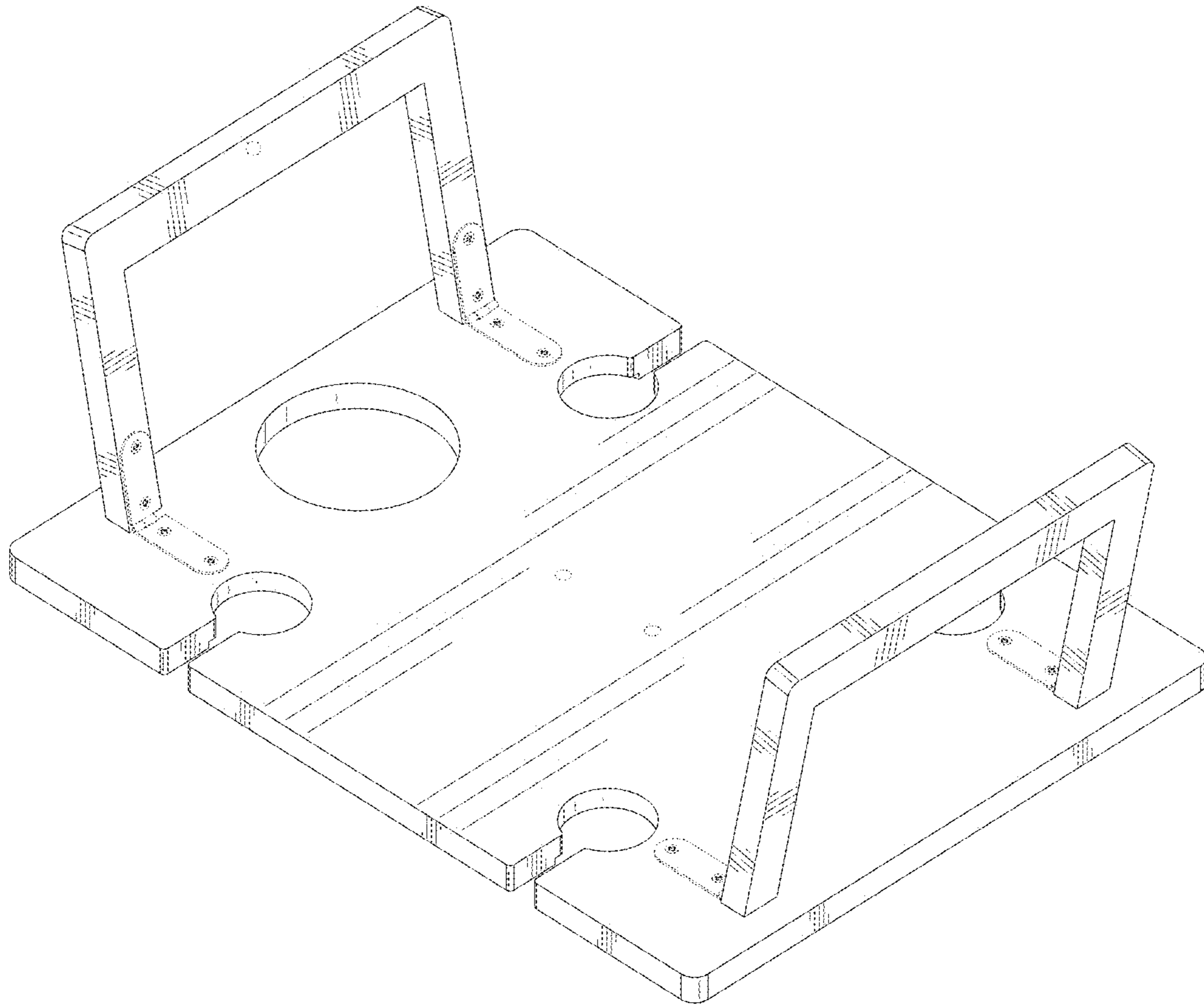


FIG.2

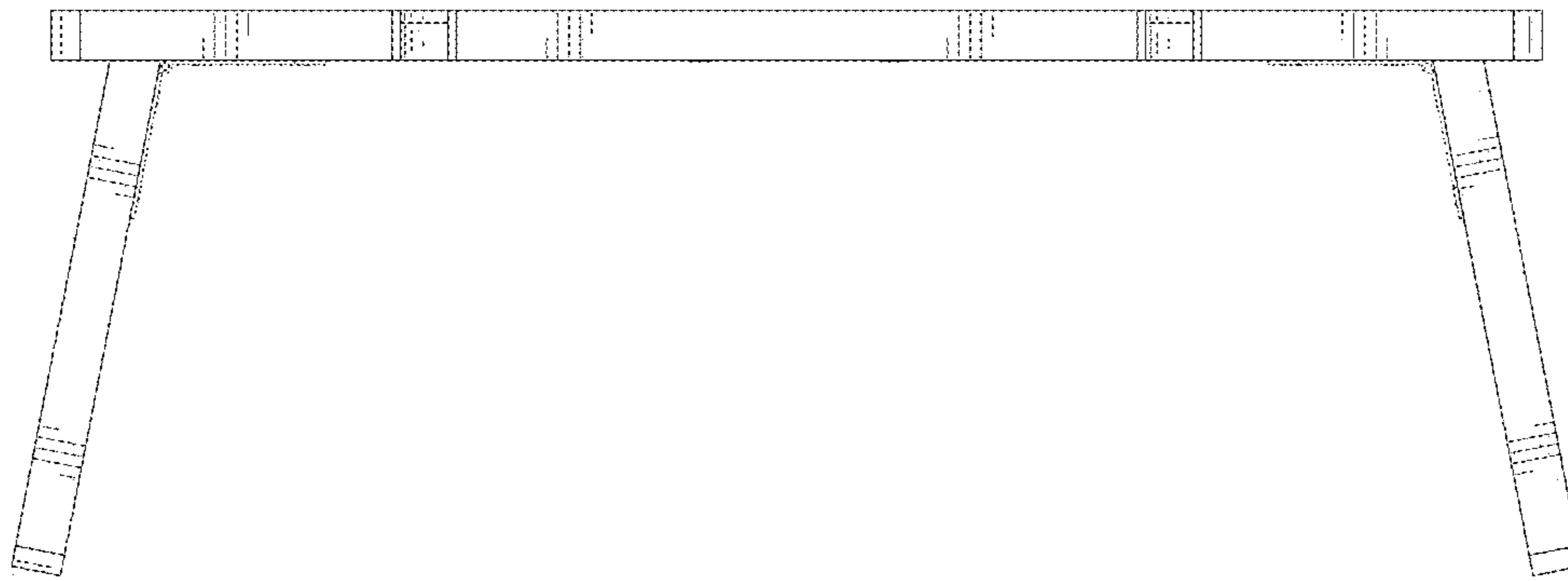


FIG. 3

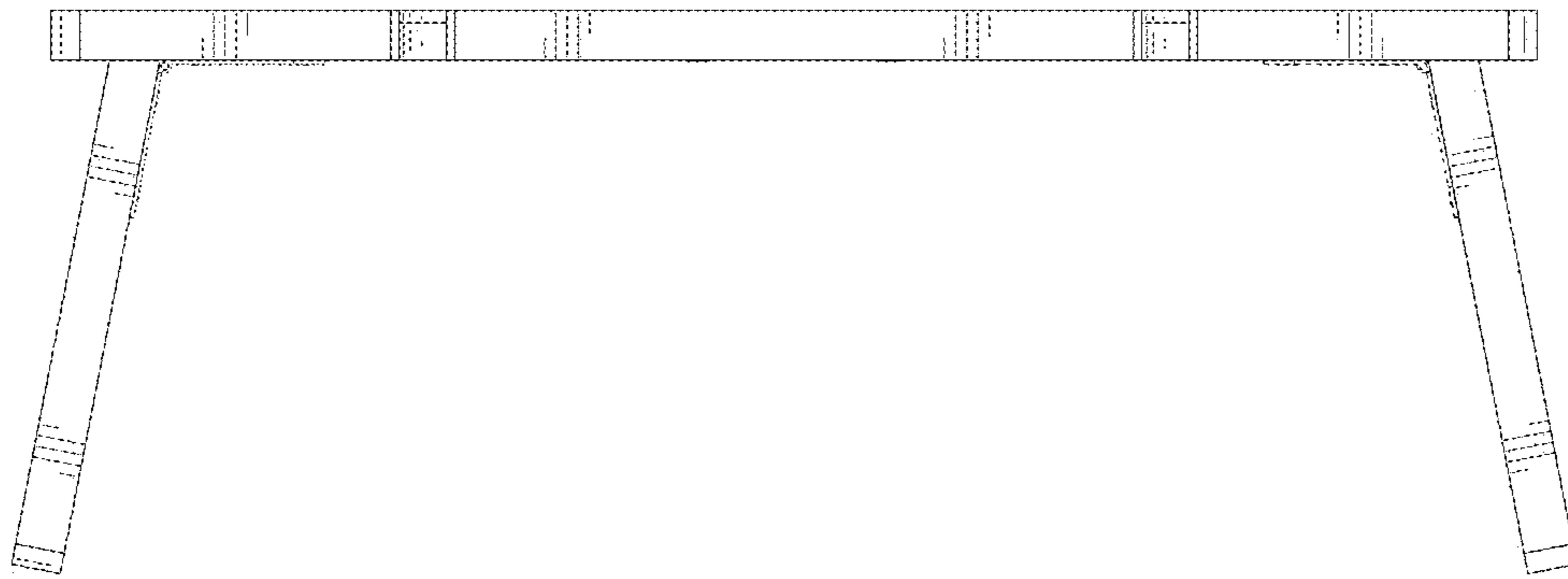


FIG. 4

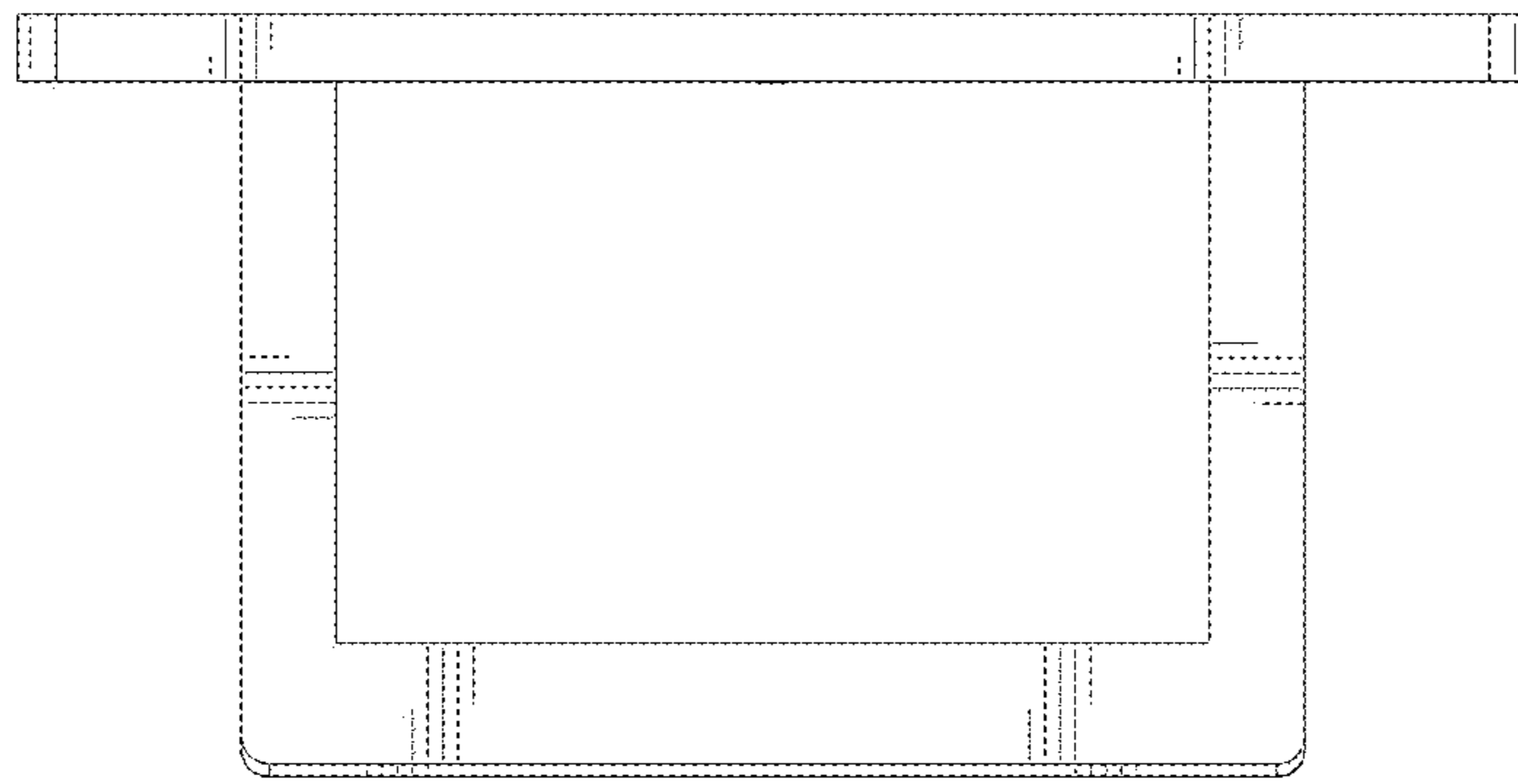


FIG. 5

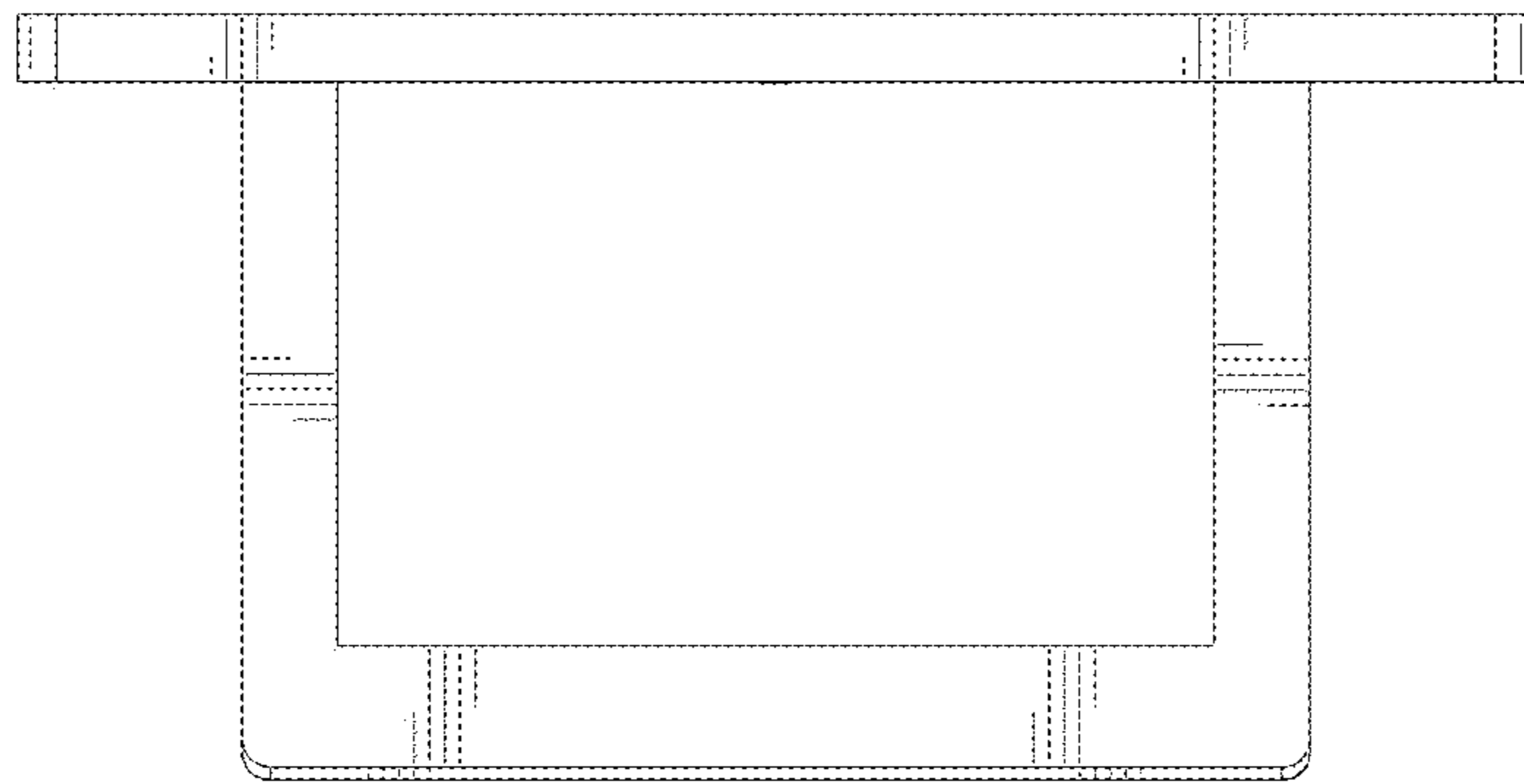


FIG.6

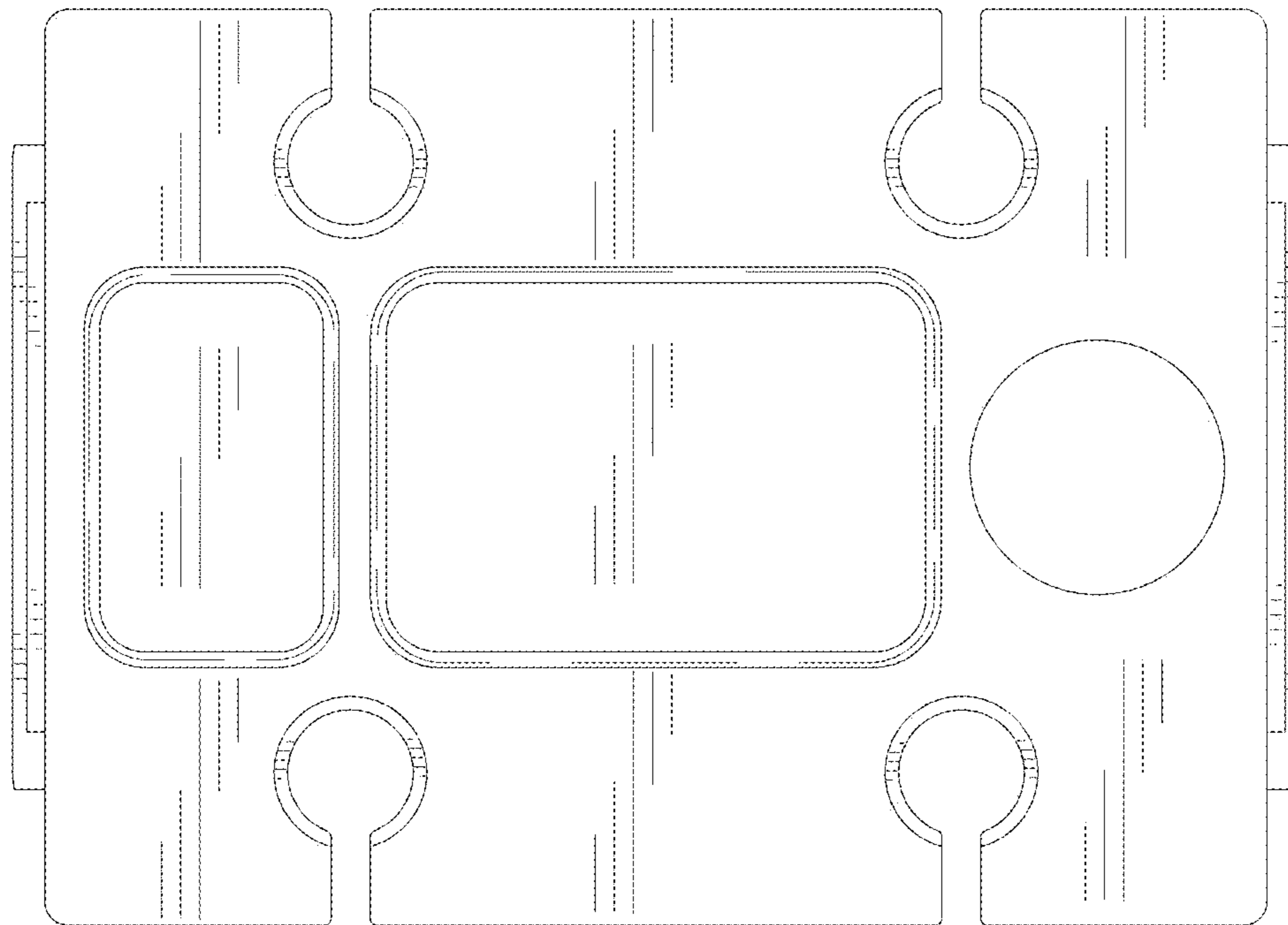


FIG. 7

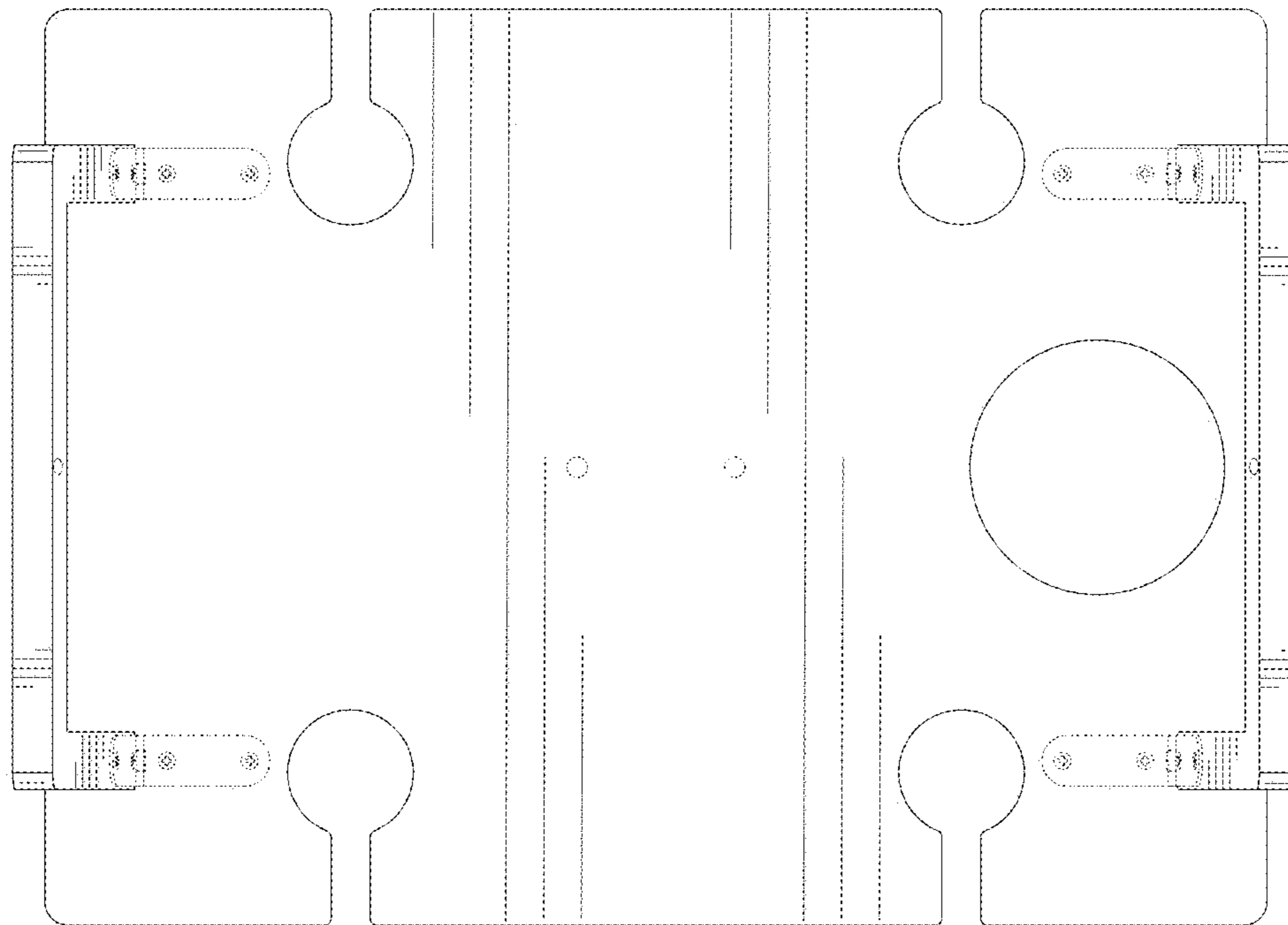


FIG. 8