



US00D975477S

(12) **United States Design Patent** (10) **Patent No.:** **US D975,477 S**
Liu (45) **Date of Patent:** **** Jan. 17, 2023**

(54) **COFFEE TABLE**

(71) Applicant: **Qiaoyun Liu**, Guangdong (CN)
(72) Inventor: **Qiaoyun Liu**, Guangdong (CN)
(*) Notice: Patent file contains an affidavit/declaration under 37 CFR 1.130(b).
(**) Term: **15 Years**

(21) Appl. No.: **29/840,231**

(22) Filed: **May 26, 2022**

(51) **LOC (14) Cl.** **06-03**

(52) **U.S. Cl.**
USPC **D6/686**; D6/667

(58) **Field of Classification Search**
USPC D6/329, 667, 685, 686, 687, 689, 691,
D6/691.1, 691.3, 691.8, 691.9
CPC A47B 13/08; A47B 13/081; A47B 13/088;
A47B 21/02; A47B 9/00; A47B 83/045;
A47B 9/18

See application file for complete search history.

(56) **References Cited**

U.S. PATENT DOCUMENTS

D173,904 S *	1/1955	Keal	D6/686
D532,220 S *	11/2006	Domack	D6/687
D584,532 S *	1/2009	Mohundro	D6/686
D584,533 S *	1/2009	Mohundro	D6/686
D584,541 S *	1/2009	Mohundro	D6/686
D588,832 S *	3/2009	Mohundro	D6/686
D841,376 S	2/2019	Lim		
D921,405 S	6/2021	Roser, Jr.		
D948,900 S *	4/2022	Massaud	D6/691.1
D958,573 S *	7/2022	Amiran	D6/689
2004/0040480 A1 *	3/2004	Hwang	A47B 3/02
				108/145
2020/0281349 A1 *	9/2020	Grabowski	A47B 13/088

OTHER PUBLICATIONS

“Bidiso Lift Top Coffee Table.” Found online Jul. 27, 2022 at www.amazon.com. Product first available Jun. 25, 2021. Retrieved from URL: https://www.amazon.com/Bidiso-Assembly-Compartment-Industrial-Reception/dp/B097XHTTFT (Year: 2021).*
“Mix Coffee Table.” Found online Jul. 27, 2022 at www.amazon.com. Product first available Jul. 3, 2013. Retrieved from URL: https://www.amazon.com/MIX-KORYO-Coffee-Table-Walnut/dp/B00DRDDDKQ (Year: 2013).*
“Lelabom Wood Lift Top Coffee Table.” Found online Jul. 27, 2022 at www.amazon.com. Product first available Jan. 18, 2022. Retrieved from URL: https://www.amazon.com/dp/B09QM9LHR1 (Year: 2022).*

* cited by examiner

Primary Examiner — Mary Ann Calabrese
Assistant Examiner — Katelin G Kloberg
(74) *Attorney, Agent, or Firm* — True Shepherd, LLC;
Andrew Cheng

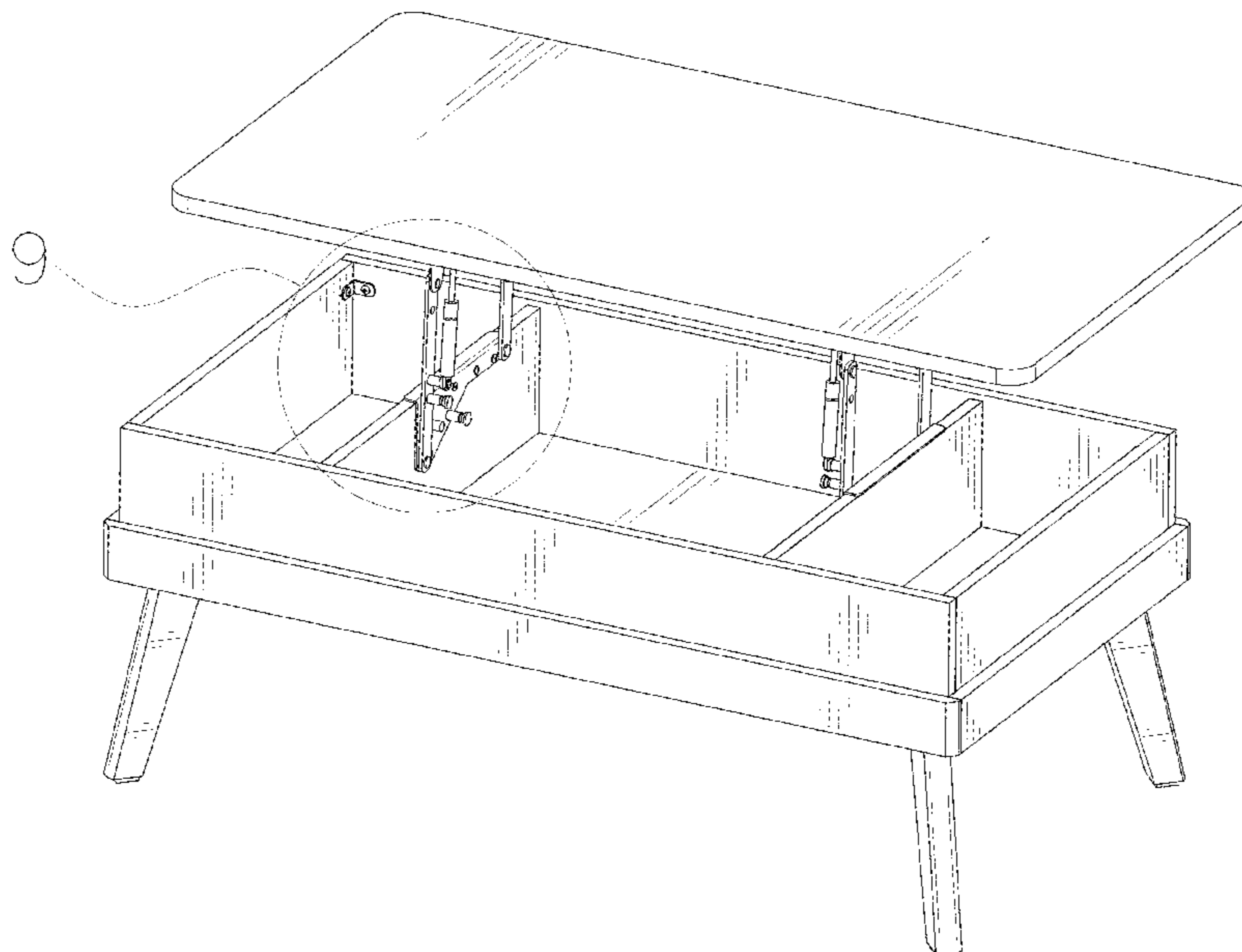
(57) **CLAIM**

The ornamental design for a coffee table, as shown and described.

DESCRIPTION

FIG. 1 is a front, right and top perspective view of a coffee table, showing my design;
FIG. 2 is a rear, left and bottom perspective view thereof;
FIG. 3 is a front elevation view thereof;
FIG. 4 is a rear elevation view thereof;
FIG. 5 is a left side elevation view thereof;
FIG. 6 is a right side elevation view thereof;
FIG. 7 is a top plan view thereof;
FIG. 8 is a bottom plan view thereof;
FIG. 9 is an enlarged view of detail 9 in FIG. 1;
FIG. 10 is an enlarged view of detail 10 in FIG. 2; and,
FIG. 11 is an enlarged view of detail 11 in FIG. 3.

1 Claim, 11 Drawing Sheets



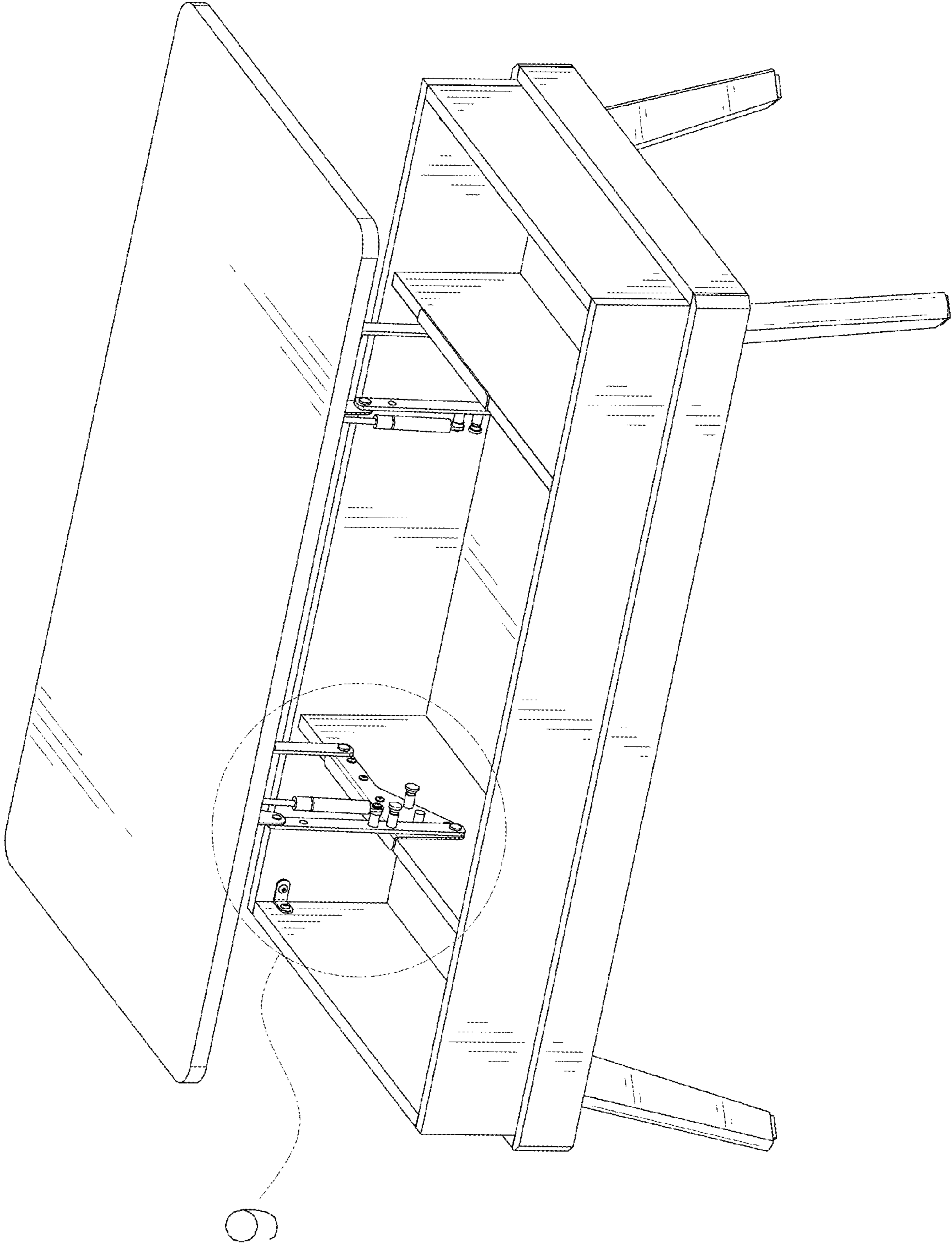


FIG. 1

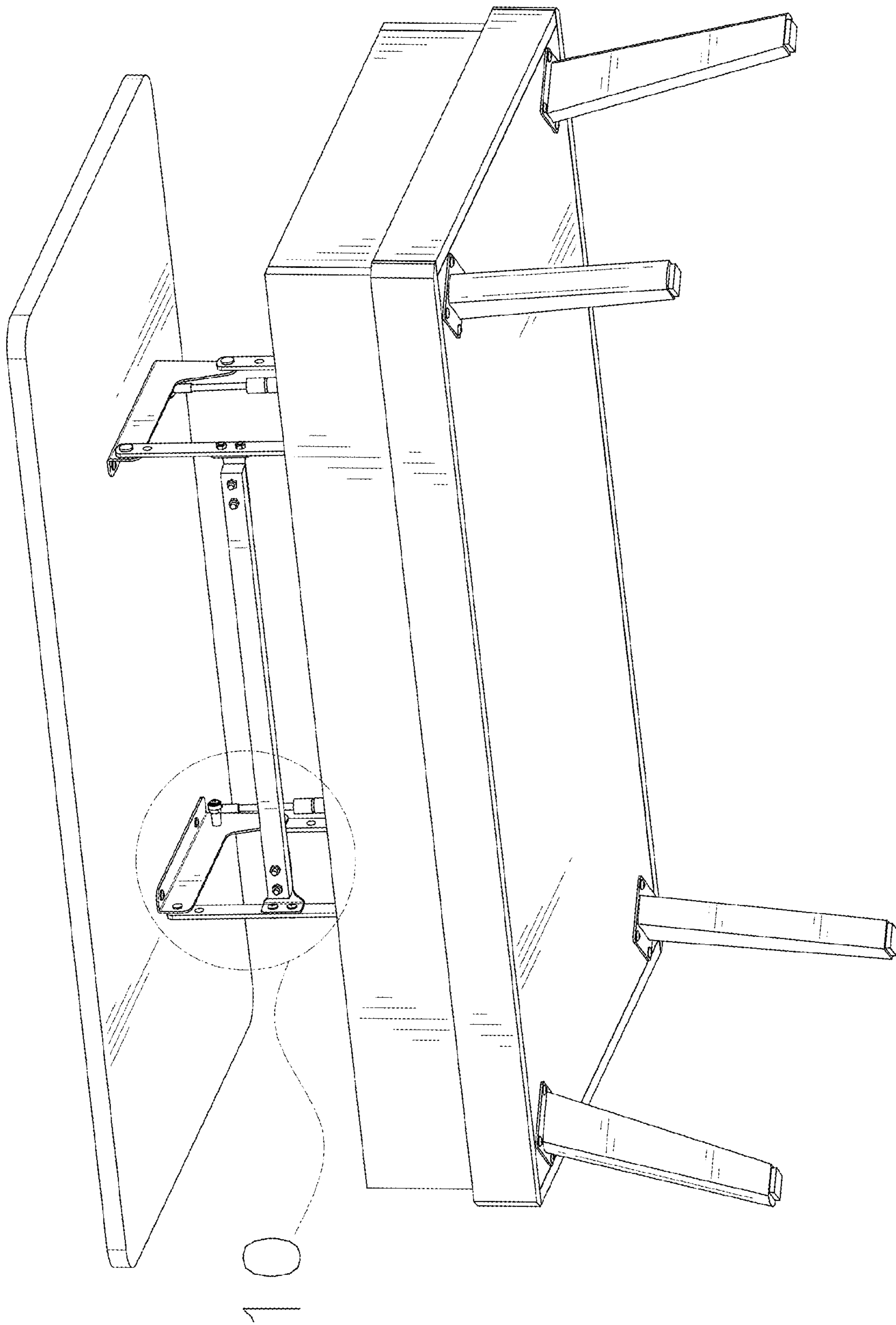


FIG. 2

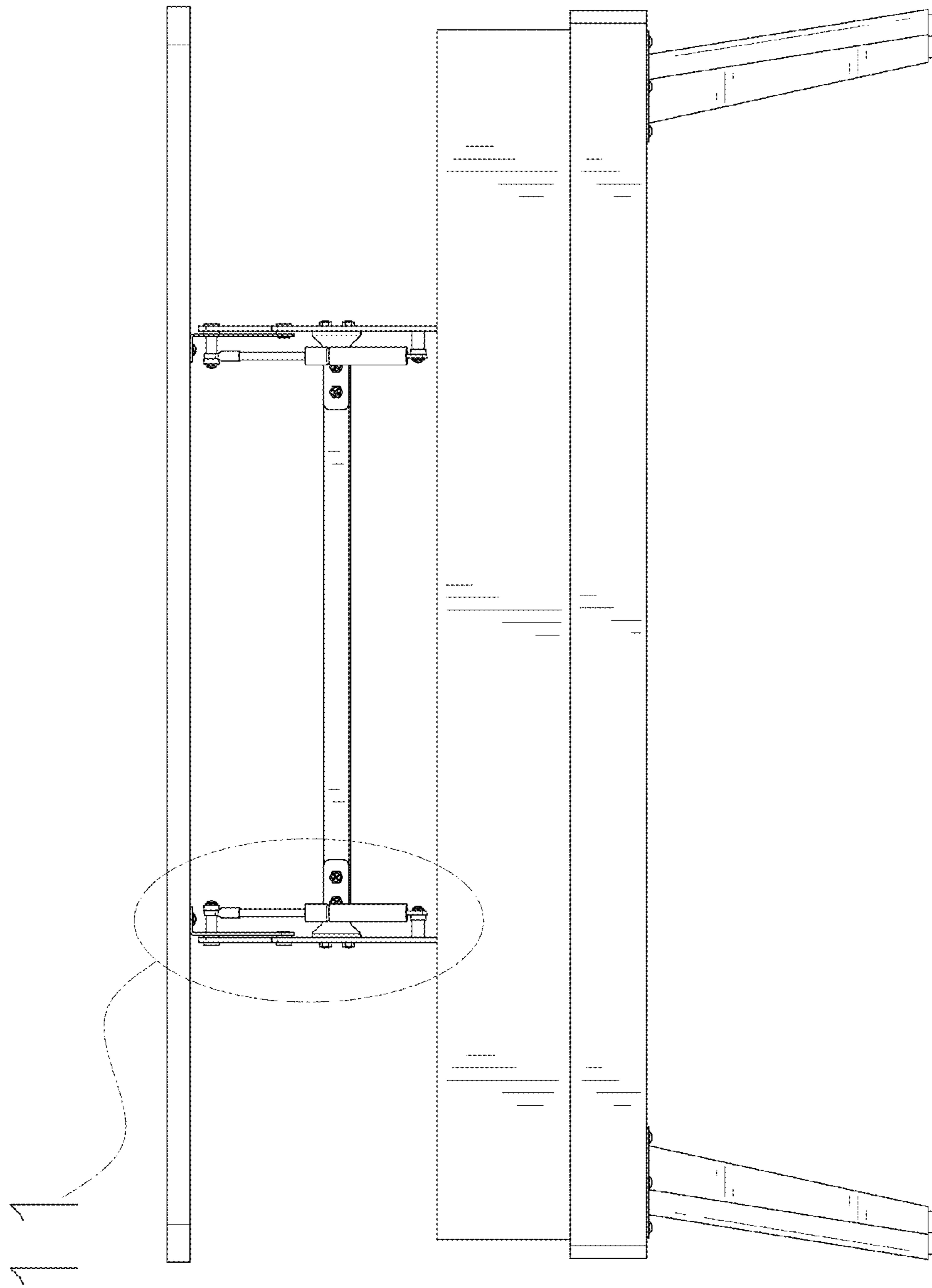


FIG. 3

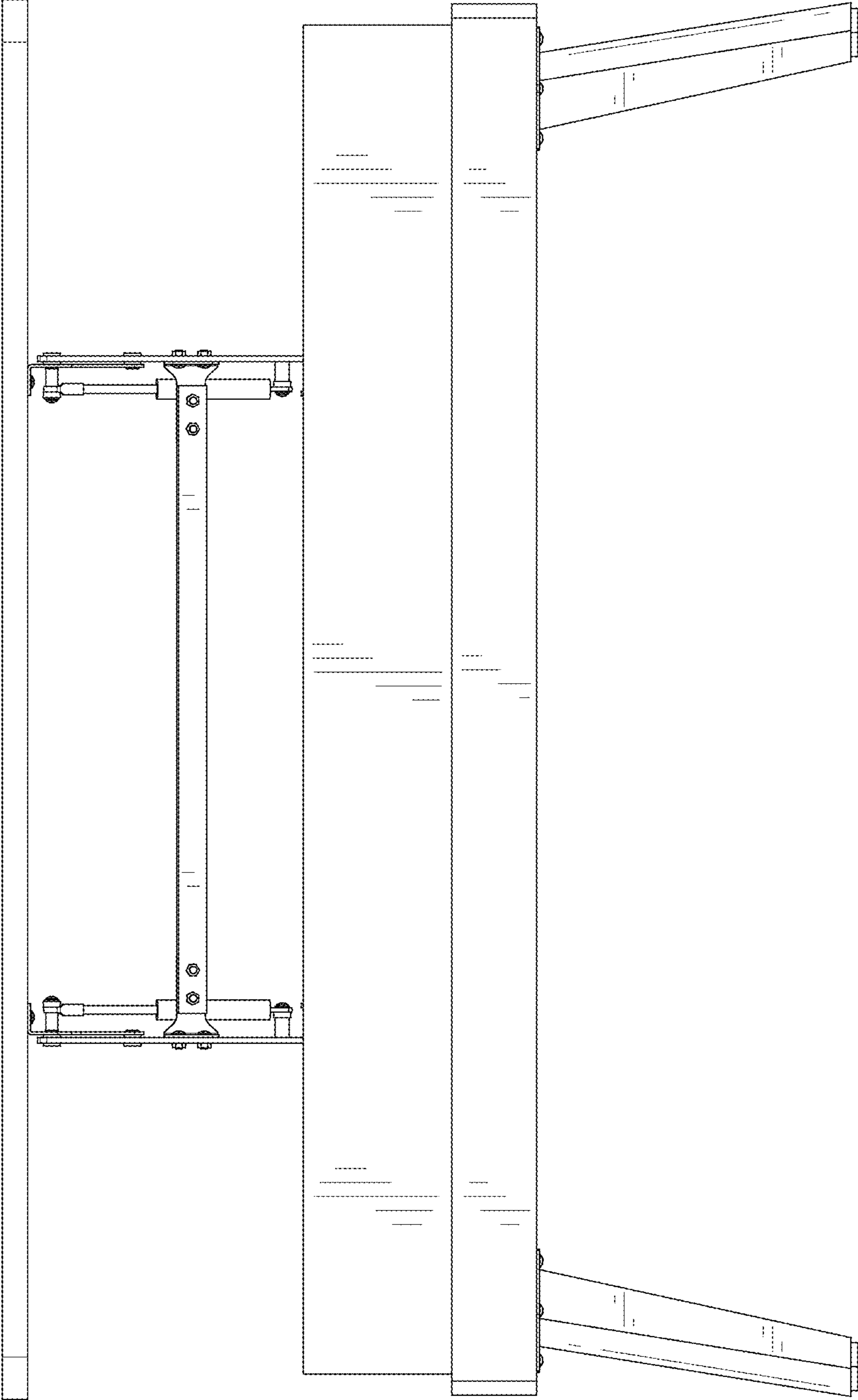


FIG.4

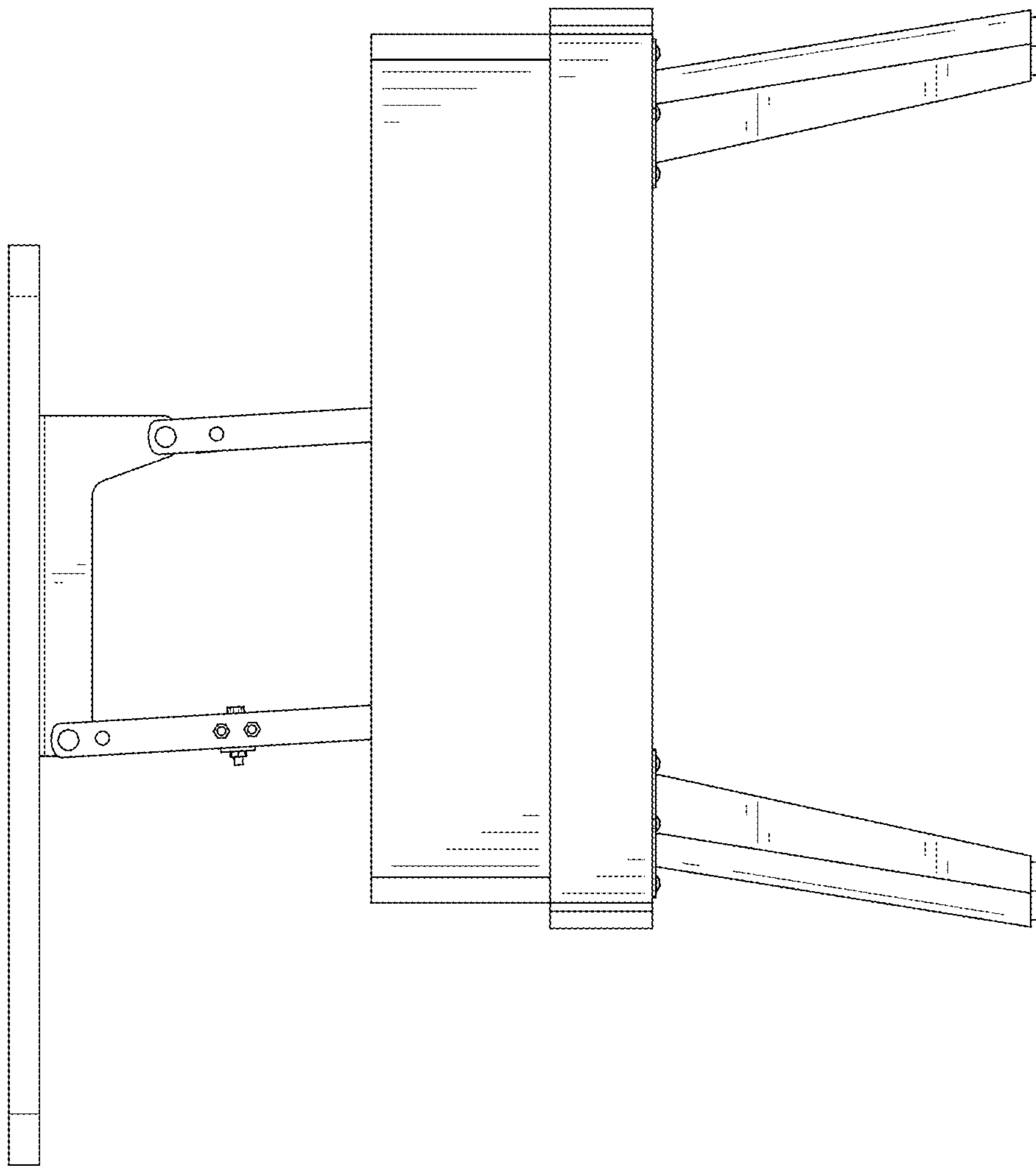


FIG. 5

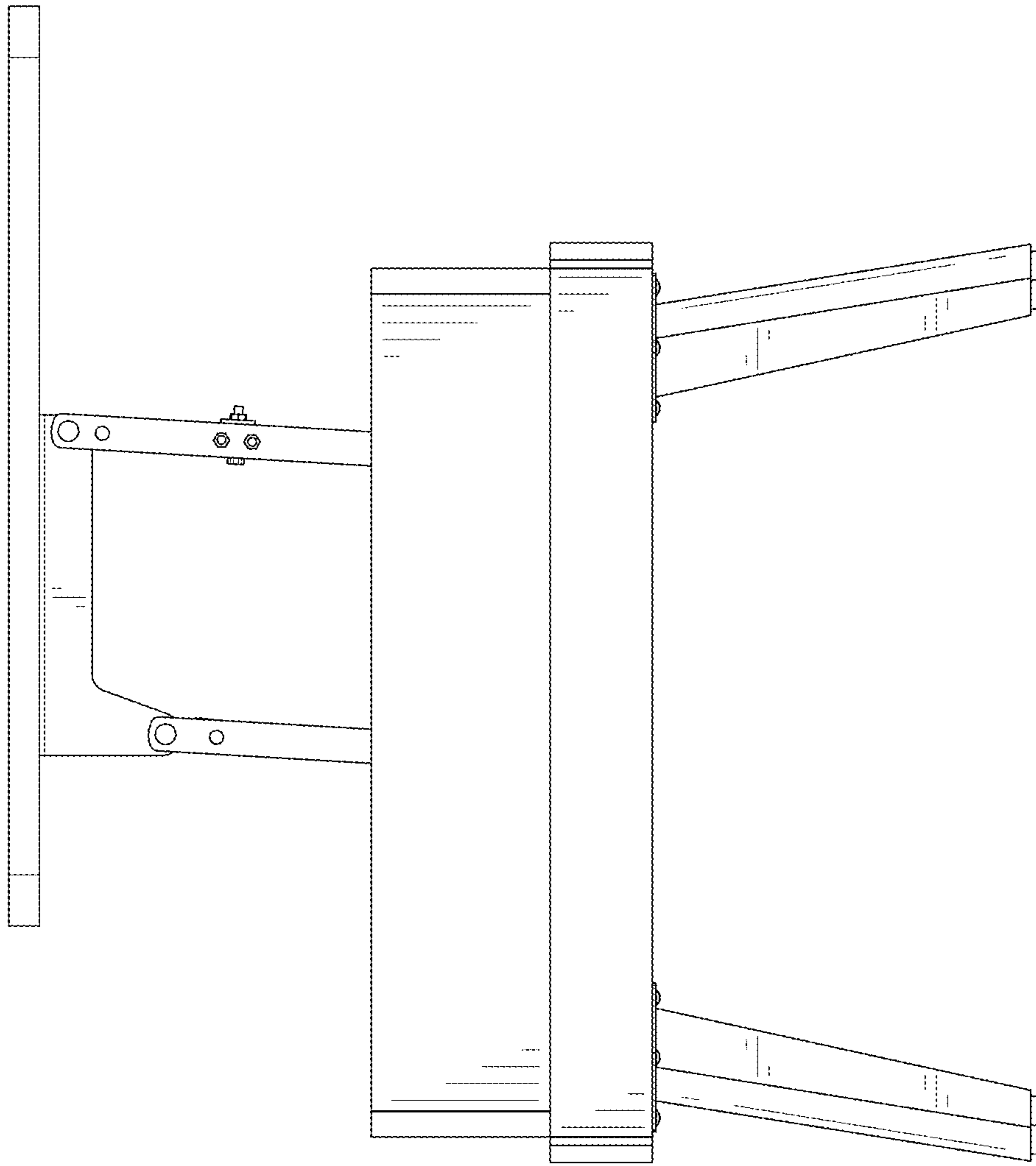


FIG. 6

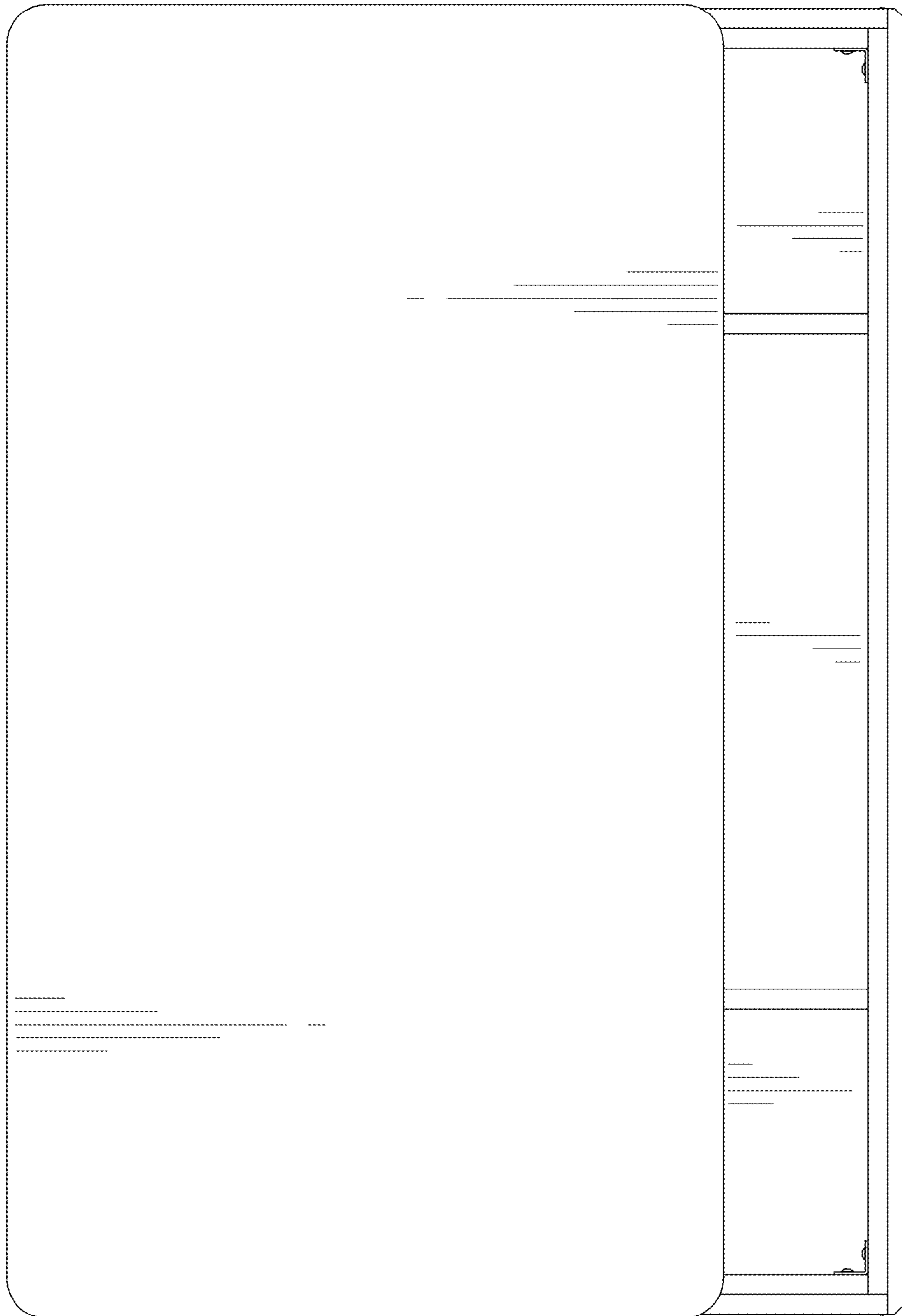


FIG. 7

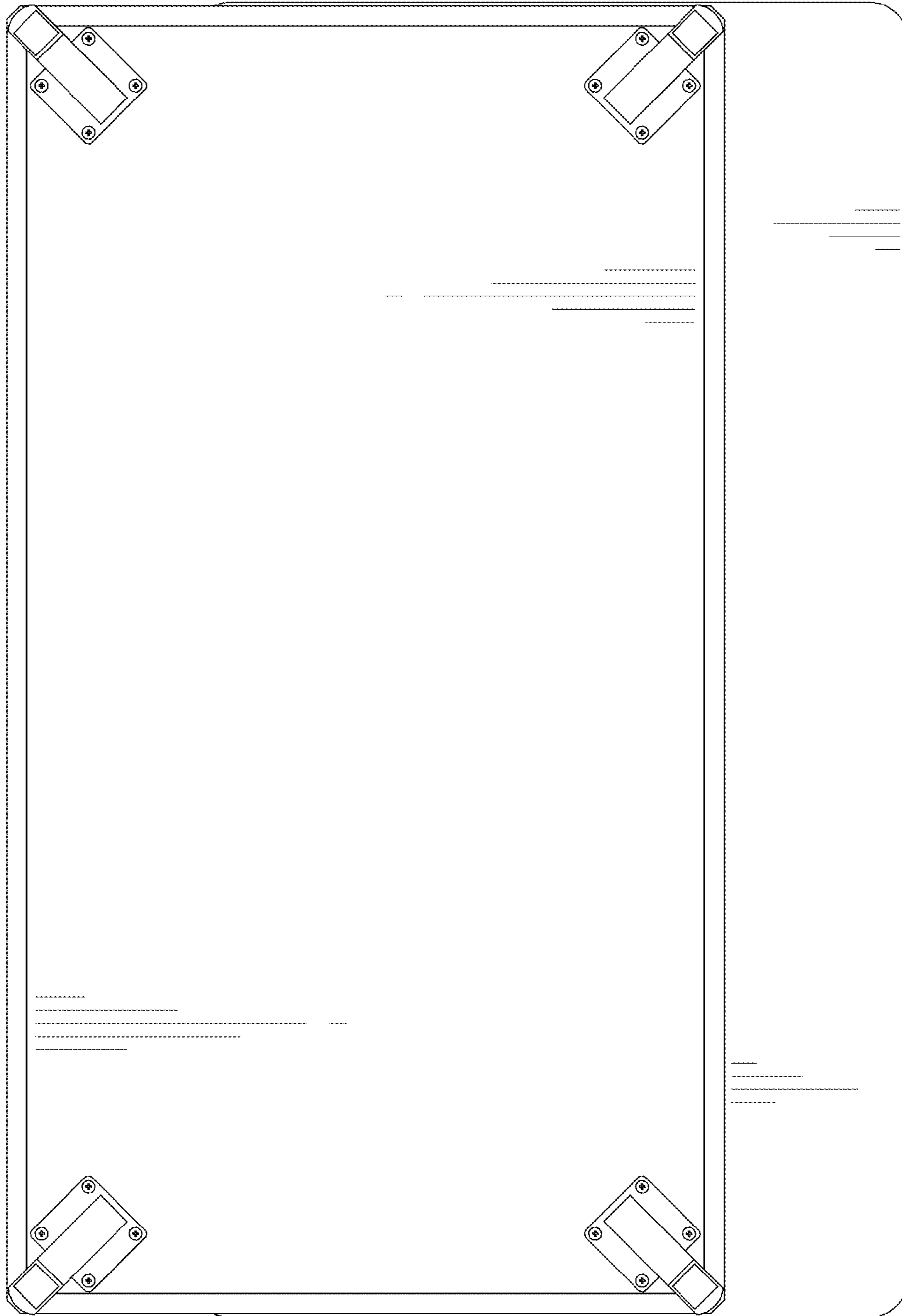


FIG. 8

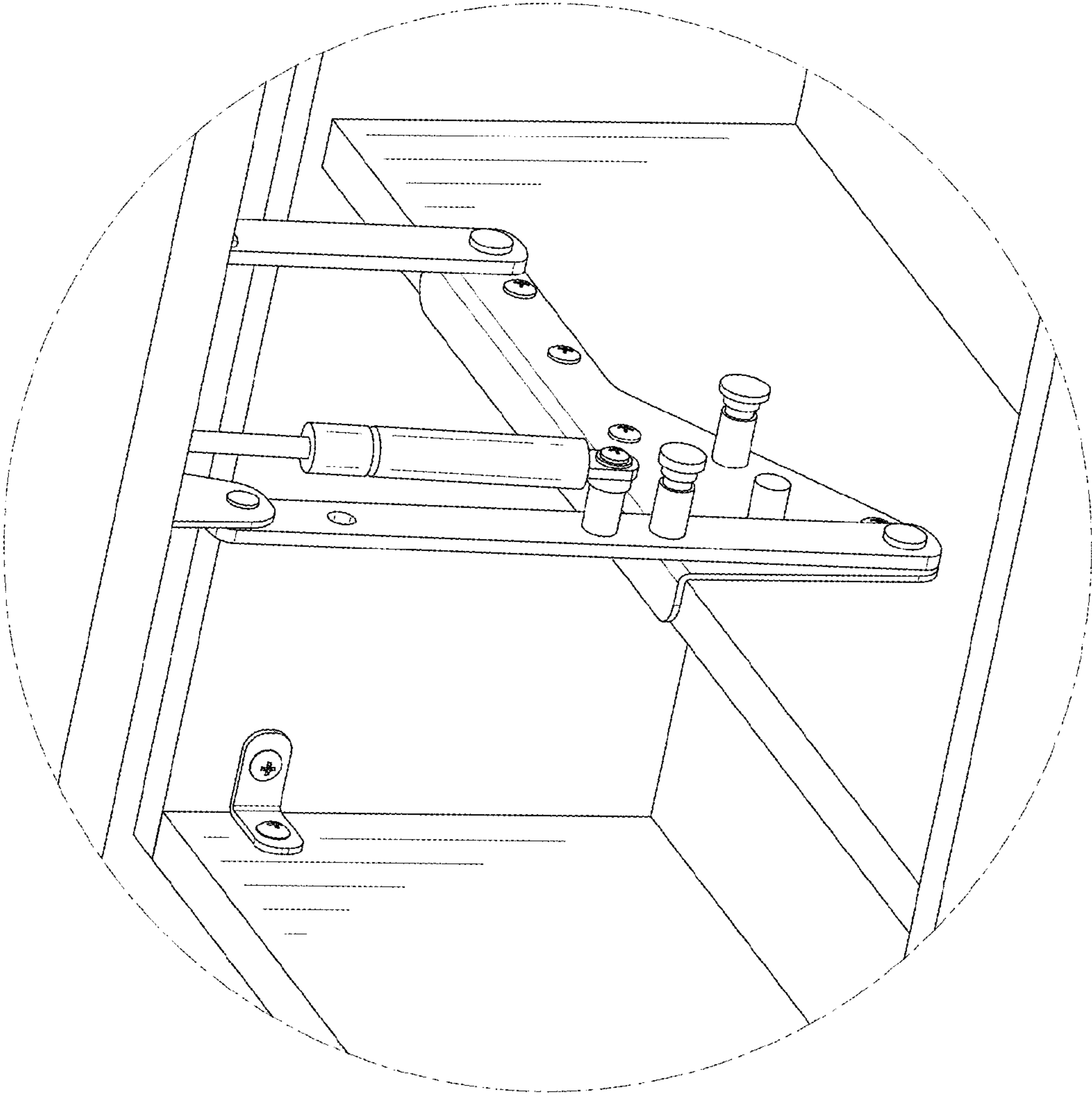


FIG. 9

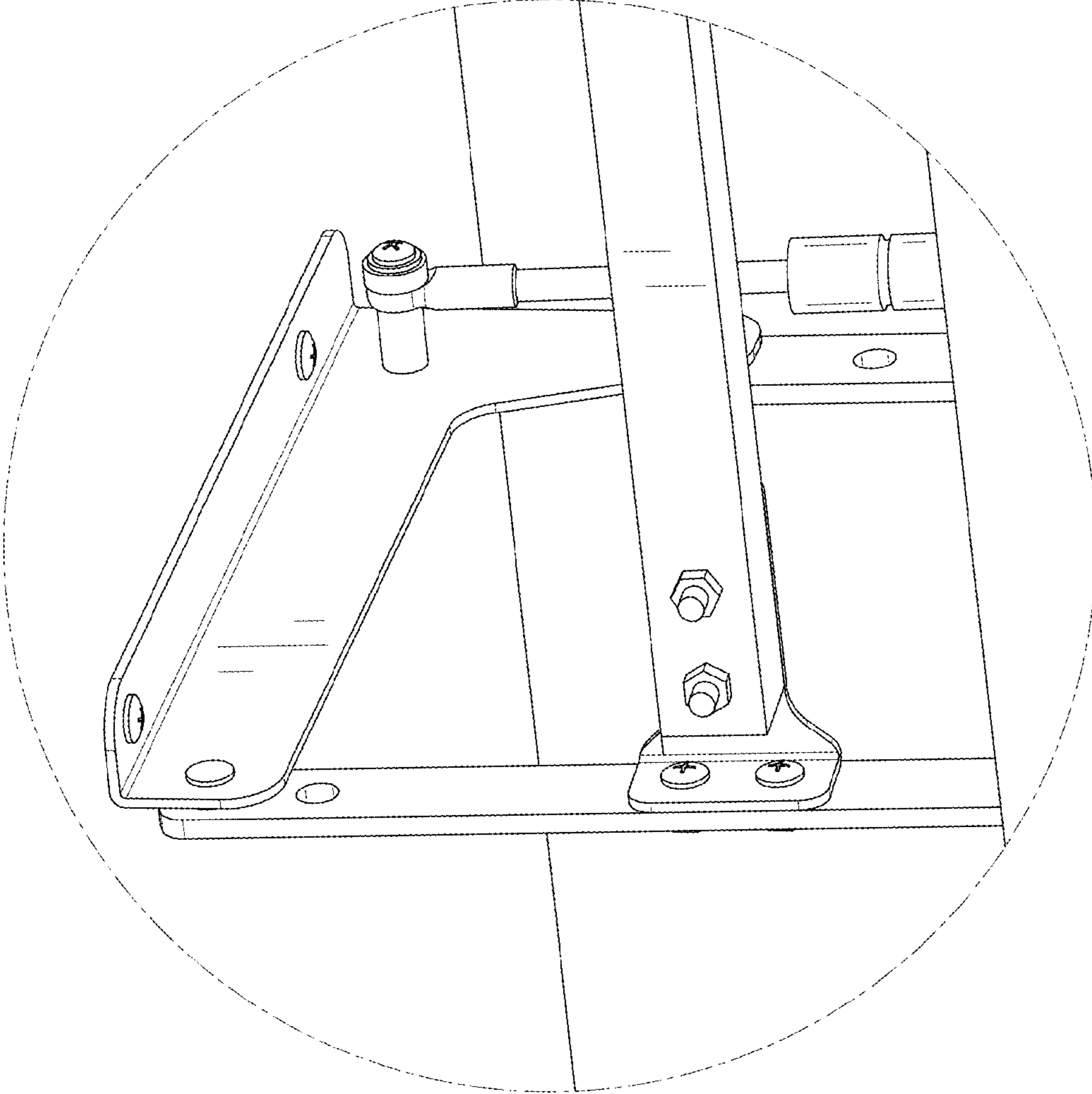


FIG. 10

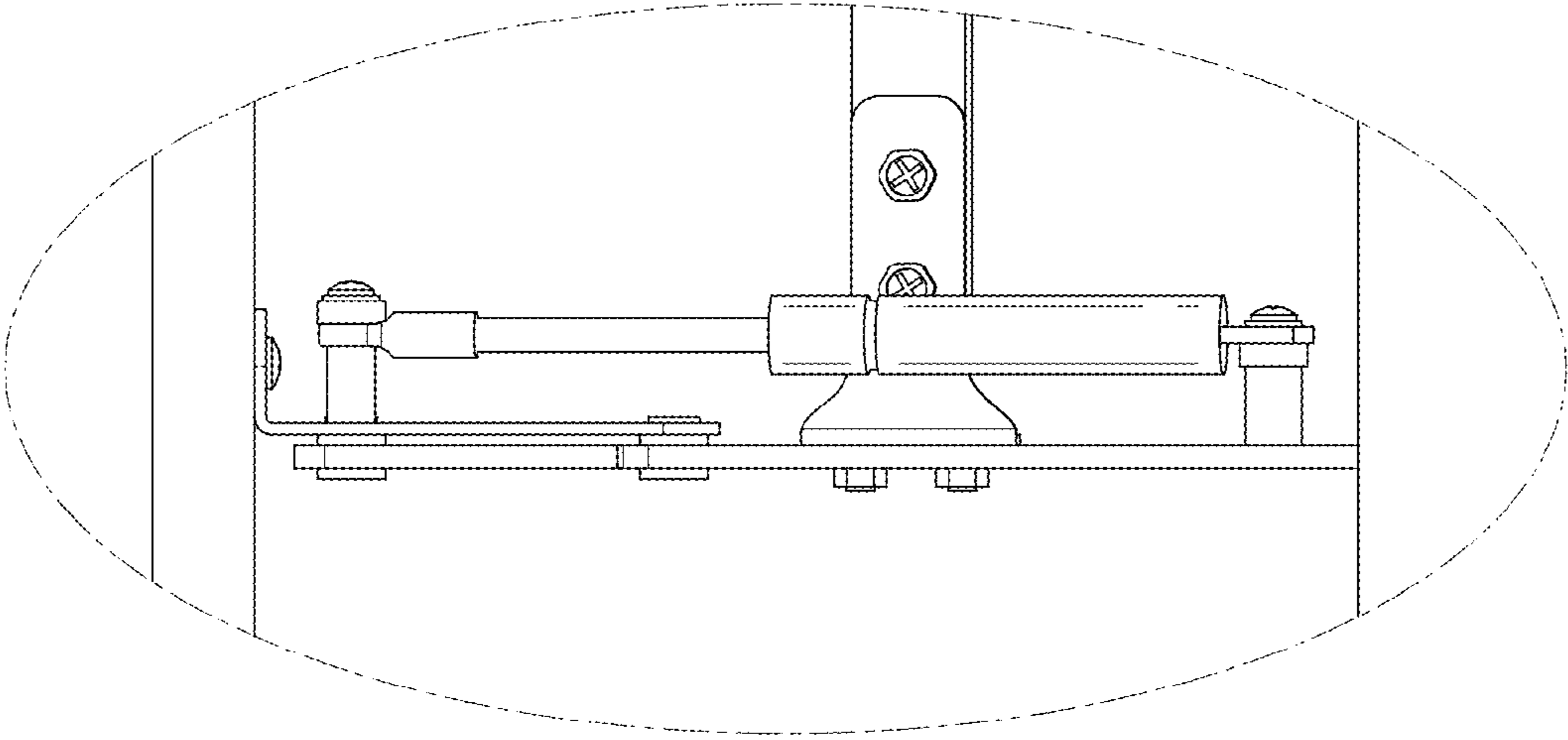


FIG. 11