



US00D975475S

(12) **United States Design Patent** (10) **Patent No.:** **US D975,475 S**
Moore (45) **Date of Patent:** **** Jan. 17, 2023**

(54) **VARIABLE HEIGHT DESK**

FOREIGN PATENT DOCUMENTS

(71) Applicant: **Mateo Goods Co.**, Tempe, AZ (US)

CA 2348060 11/2002
CA 2840843 12/2013

(72) Inventor: **Matthew Moore**, Phoenix, AZ (US)

(Continued)

(73) Assignee: **Mateo Goods Co.**, Tempe, AZ (US)

OTHER PUBLICATIONS

(**) Term: **15 Years**

The Sit Desk by Mateo Goods, first available: Unknown. hellomateogoods.com [online], [site visited Apr. 13, 2022], Internet URL: https://hellomateogoods.com/collections/all/products/the-static-desk (Year: 2022).*

(21) Appl. No.: **29/745,347**

(Continued)

(22) Filed: **Aug. 5, 2020**

(51) **LOC (14) Cl.** **06-03**

(52) **U.S. Cl.**

USPC **D6/655**

(58) **Field of Classification Search**

USPC D6/648-656, 690-694

CPC A47B 17/006; A47B 17/66; A47B 17/02;

A47B 17/04; A47B 13/003; A47B 88/00;

A47B 2210/19; A47B 88/90; A47B 1/08;

A47B 13/00; A47B 13/02; A47B

2003/008; A47B 83/045; A47B 83/04;

A47B 21/02; A47B 1/00; A47B 7/00;

A47B 9/00; A47B 19/00; A47B 19/06;

A47B 2021/0307; A47B 21/00; A47B

21/03; A47B 2021/0364; A47B 11/00

See application file for complete search history.

Primary Examiner — Steven J Czyz

Assistant Examiner — Hillary Catherine Shepard

(74) *Attorney, Agent, or Firm* — Esplin & Associates, PC

(57)

CLAIM

The ornamental design for a variable height desk, as shown and described.

DESCRIPTION

FIG. 1 is a perspective view of a variable height desk in a lowered position;

FIG. 2 is a front view of the variable height desk in the lowered position;

FIG. 3 is a rear view of the variable height desk in the lowered position;

FIG. 4 is a left-side view of the variable height desk in the lowered position;

FIG. 5 is a right-side view of the variable height desk in the lowered position;

FIG. 6 is a top view of the variable height desk in the lowered position; and,

FIG. 7 is a perspective view of the variable height desk in a raised position.

The broken lines in the drawings depict portions of the article that form no part of the claimed design.

(56) **References Cited**

U.S. PATENT DOCUMENTS

D128,791 S * 8/1941 Ullery D6/651.1

D164,584 S 9/1951 Koegel

2,636,224 A * 4/1953 Murdoch E04B 2/7425
312/304

3,113,531 A 12/1963 Barnard

D208,256 S 8/1967 Rich

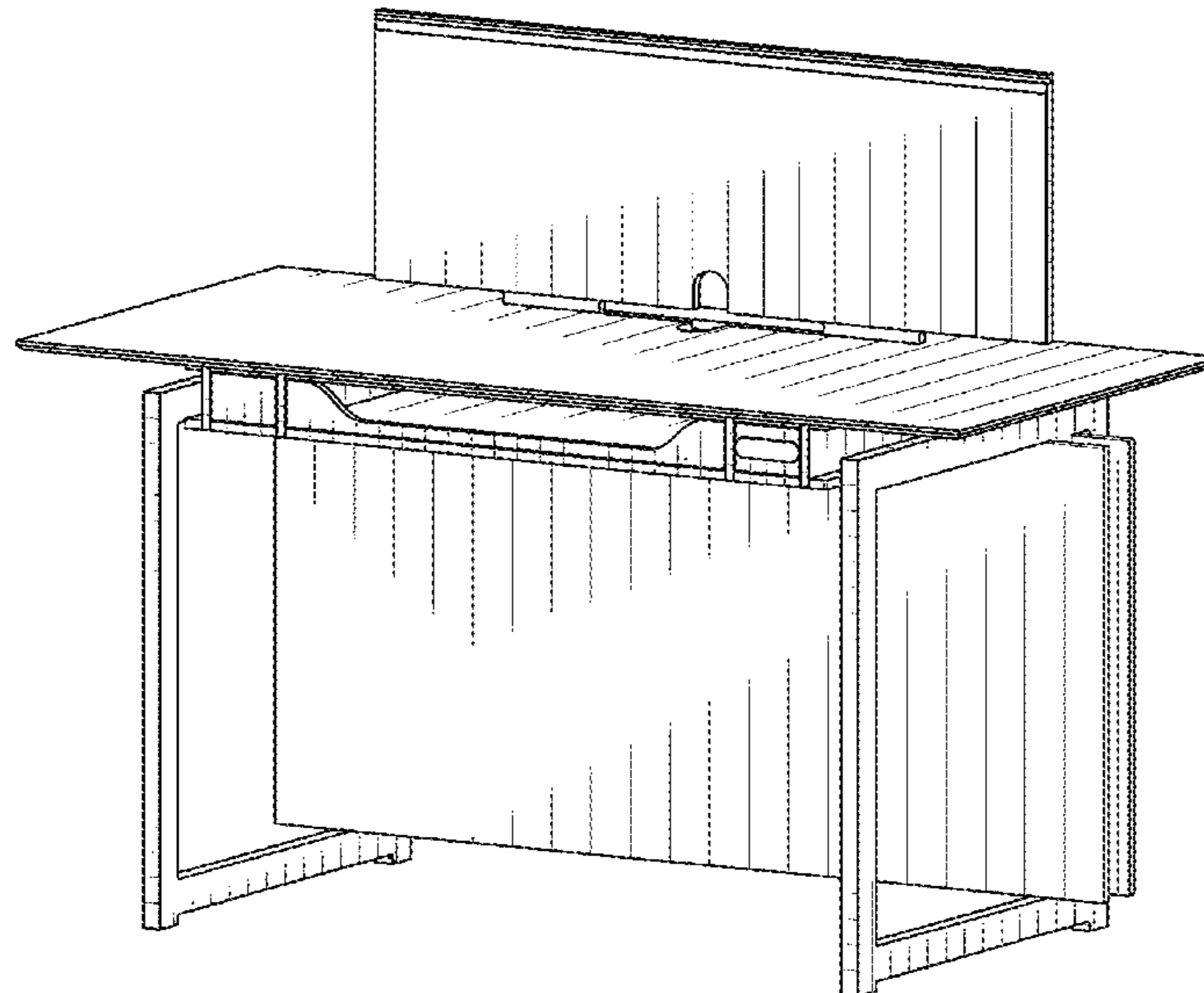
D216,204 S * 12/1969 Hess D6/653.14

D243,192 S 1/1977 Clayton

D243,300 S * 2/1977 Christensen D6/643

(Continued)

1 Claim, 5 Drawing Sheets



(56)

References Cited

U.S. PATENT DOCUMENTS

D260,716 S * 9/1981 Cohen D6/675.3
 D261,713 S * 11/1981 Curatolo D6/654.17
 D262,763 S 1/1982 Lerner
 D262,846 S 2/1982 Chaiken
 D267,690 S * 1/1983 Verdesca D6/654.17
 D278,583 S * 4/1985 Koguma D6/654.17
 D285,394 S 9/1986 Curran
 D286,832 S * 11/1986 Matthews D6/652.1
 4,651,652 A * 3/1987 Wyckoff A47B 9/12
 254/386
 4,668,026 A * 5/1987 Lapeyre A47B 21/0073
 348/E5.131
 D297,987 S * 10/1988 Borsos D6/653.17
 4,790,611 A 12/1988 Craner
 D305,585 S * 1/1990 Wright D6/654.21
 D305,838 S * 2/1990 Bienenstock D6/655.14
 4,969,403 A 11/1990 Schwartz
 4,987,835 A 1/1991 Schwartz
 D314,289 S * 2/1991 Schaeilling D6/653
 5,083,514 A 1/1992 Schwartz
 D330,469 S 10/1992 Brodbeck
 D340,816 S * 11/1993 Lee D6/653.17
 D345,062 S 3/1994 Brandon
 D368,812 S * 4/1996 Lee D6/653.21
 5,544,593 A 8/1996 Canfield
 5,720,185 A 2/1998 Lee
 D393,958 S * 5/1998 Moncourtois D6/686
 6,070,956 A 6/2000 Yates
 D441,566 S 5/2001 Martin
 6,708,627 B1 3/2004 Wood
 D489,200 S * 5/2004 Antonioni D6/655.21
 D496,183 S 9/2004 Savage
 D516,340 S * 3/2006 Chang D6/653.15
 D546,103 S 7/2007 Eyman
 D552,900 S * 10/2007 Wilenius D6/705
 7,331,296 B1 2/2008 Wood
 7,398,738 B2 * 7/2008 Newhouse A47B 9/18
 108/50.01
 D596,876 S 7/2009 Oshinomi
 D610,840 S 3/2010 Kato
 7,866,622 B2 1/2011 Dittmer
 D647,324 S 10/2011 Kincaid
 D653,862 S 2/2012 Hairston
 D677,943 S 3/2013 Mendoza

D724,364 S 3/2015 Demars
 8,985,032 B1 3/2015 Johnson
 D730,658 S 6/2015 Dillon
 9,277,806 B2 3/2016 Hallman
 D761,577 S 7/2016 Agati
 D773,219 S 12/2016 Clouse
 9,593,481 B2 3/2017 Gosling
 D788,496 S 6/2017 Yamamoto
 9,723,919 B1 8/2017 Randolph
 9,980,559 B2 5/2018 Randolph
 10,034,538 B1 7/2018 Masters
 D853,759 S 7/2019 Moore
 D863,833 S 10/2019 Moore
 10,561,233 B1 2/2020 Lin
 10,939,752 B2 * 3/2021 Moore A47B 87/002
 2005/0016080 A1 1/2005 Williams
 2006/0185564 A1 8/2006 Stengel
 2006/0230992 A1 * 10/2006 Newhouse A47B 9/18
 108/147
 2008/0018211 A1 1/2008 Dye
 2008/0284292 A1 * 11/2008 Castelluccio A47B 85/08
 312/107
 2008/0284293 A1 11/2008 Martin
 2009/0094913 A1 4/2009 Singh
 2016/0128469 A1 * 5/2016 Matthai E04B 2/7416
 312/265.5
 2016/0353876 A1 12/2016 Mitchell
 2018/0168334 A1 6/2018 Swartz
 2022/0273094 A1 9/2022 Wallis

FOREIGN PATENT DOCUMENTS

GB 2362822 12/2001
 WO 2016195853 12/2016

OTHER PUBLICATIONS

All Sit / Sitstand Desks by Mateo Goods, first available: Unknown.
 hellomateogoods.com [online], [site visited Apr. 13, 2022], Internet
 URL: <https://hellomateogoods.com/collections/all> (Year: 2022).
 The Sit-Stand Desk by Mateo Goods, first available: Sep. 26, 2020.
 Indiegogo.com [online], [site visited Apr. 13, 2022], Internet URL:
<https://www.indiegogo.com/projects/the-sit-stand-desk-by-mateo/>
 (Year: 2020).*

* cited by examiner

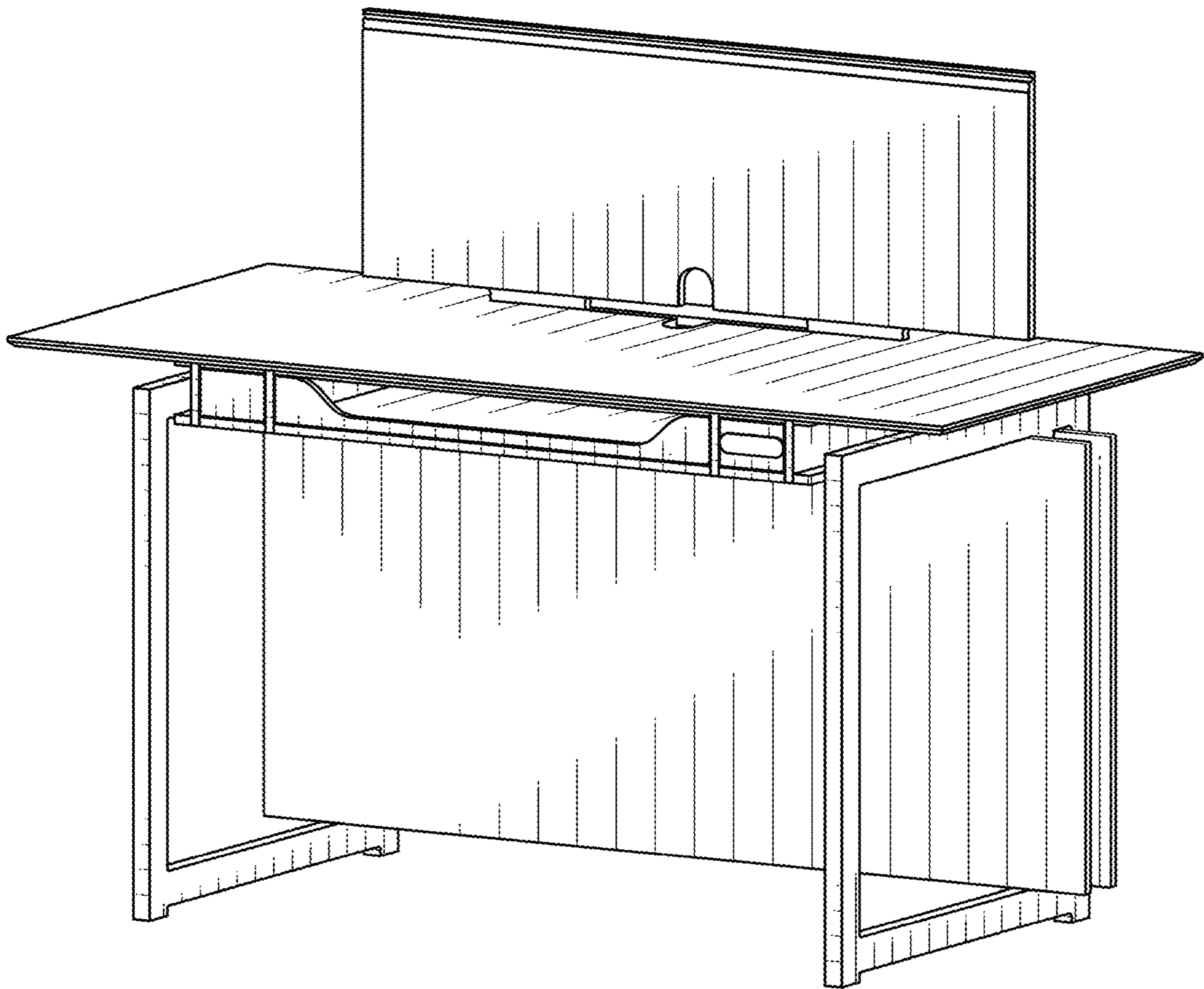


FIG. 1

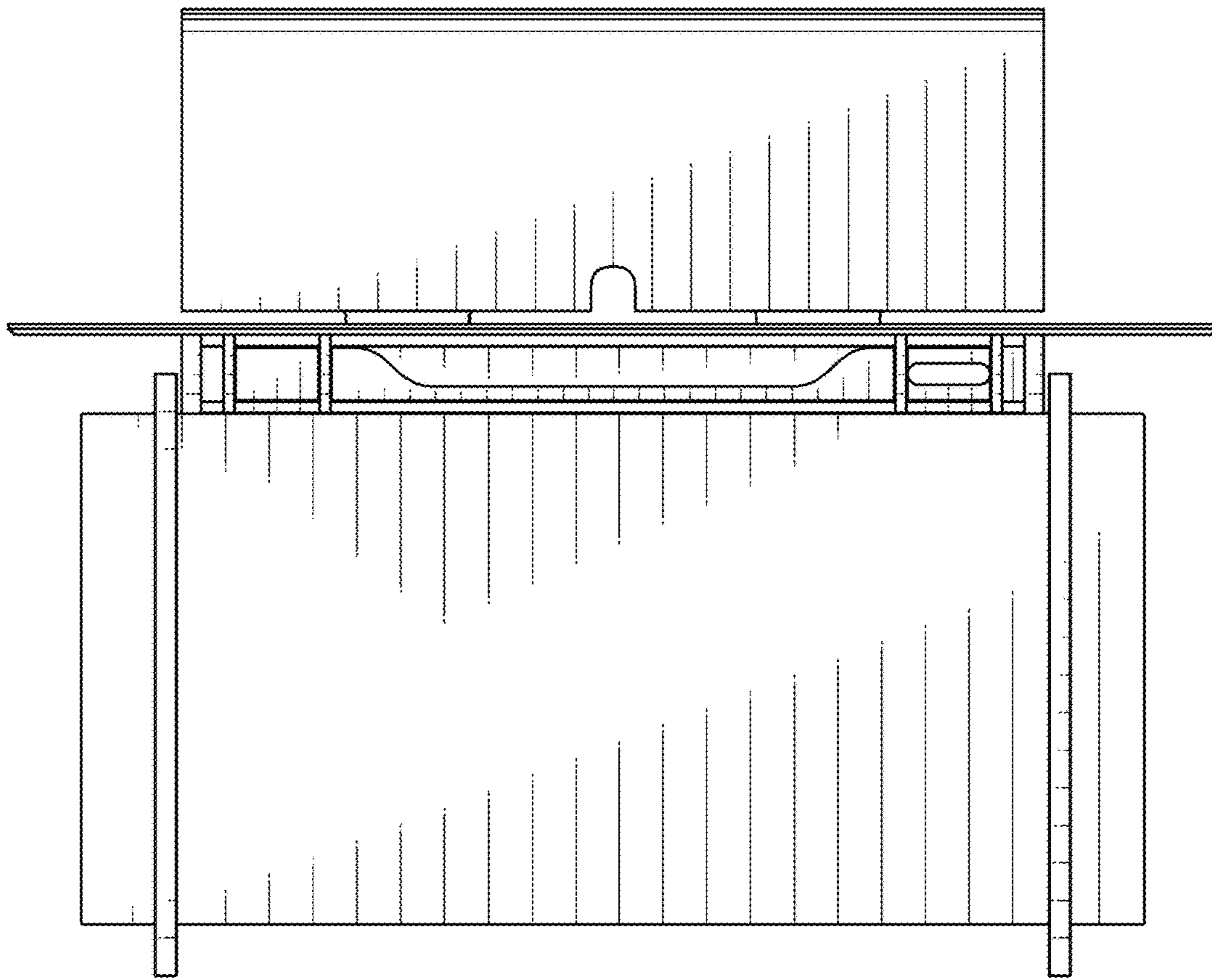


FIG. 2

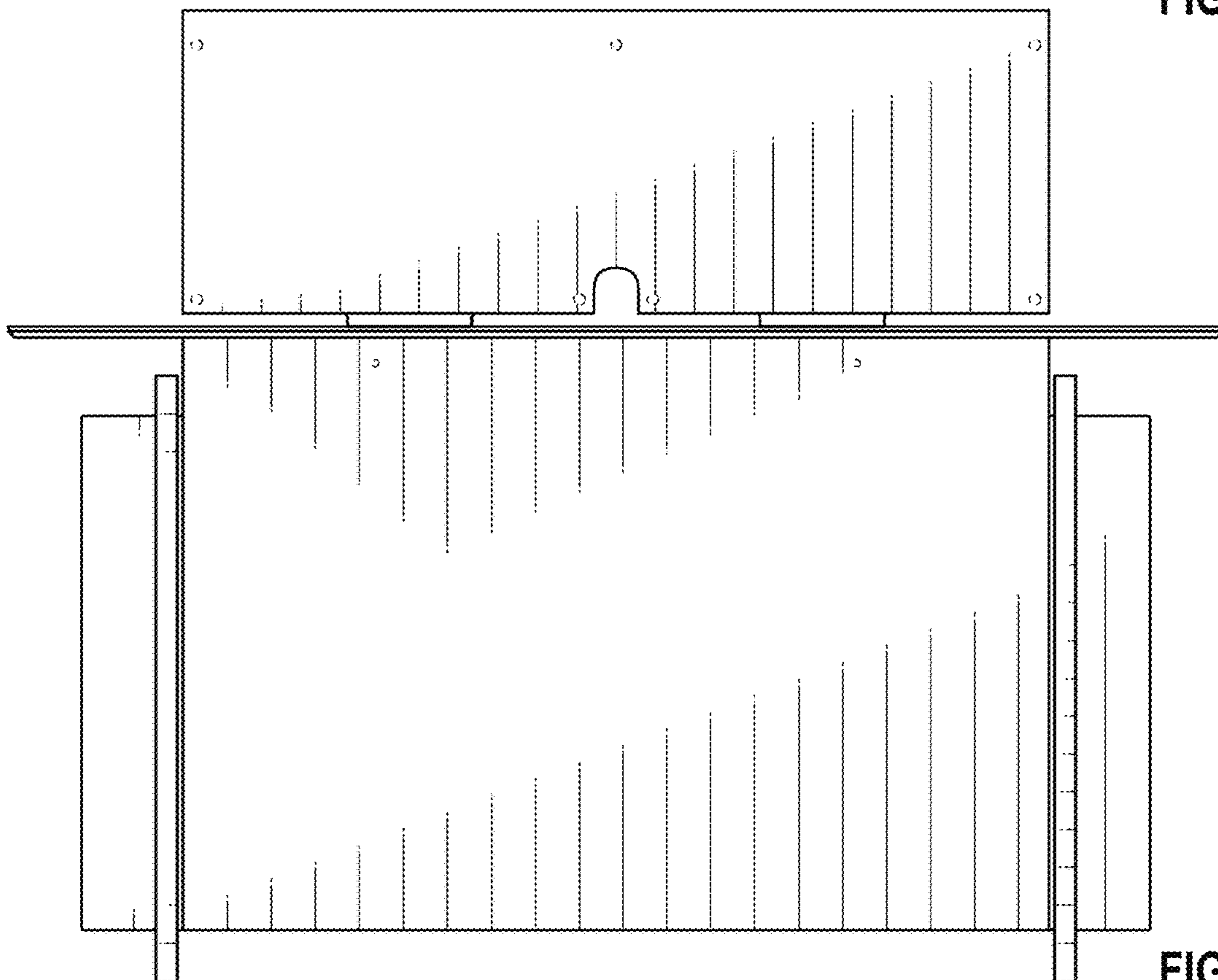


FIG. 3

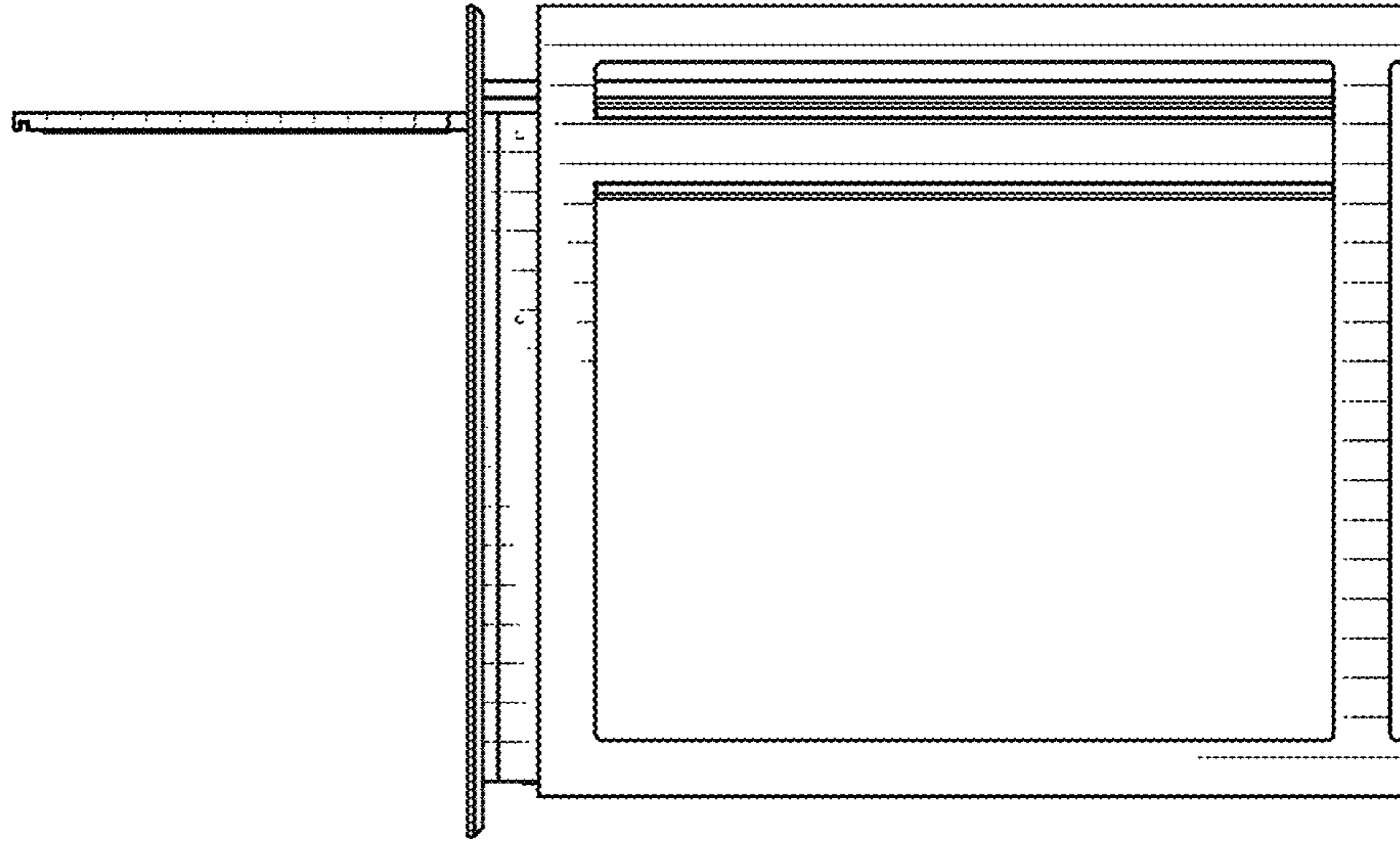


FIG. 5

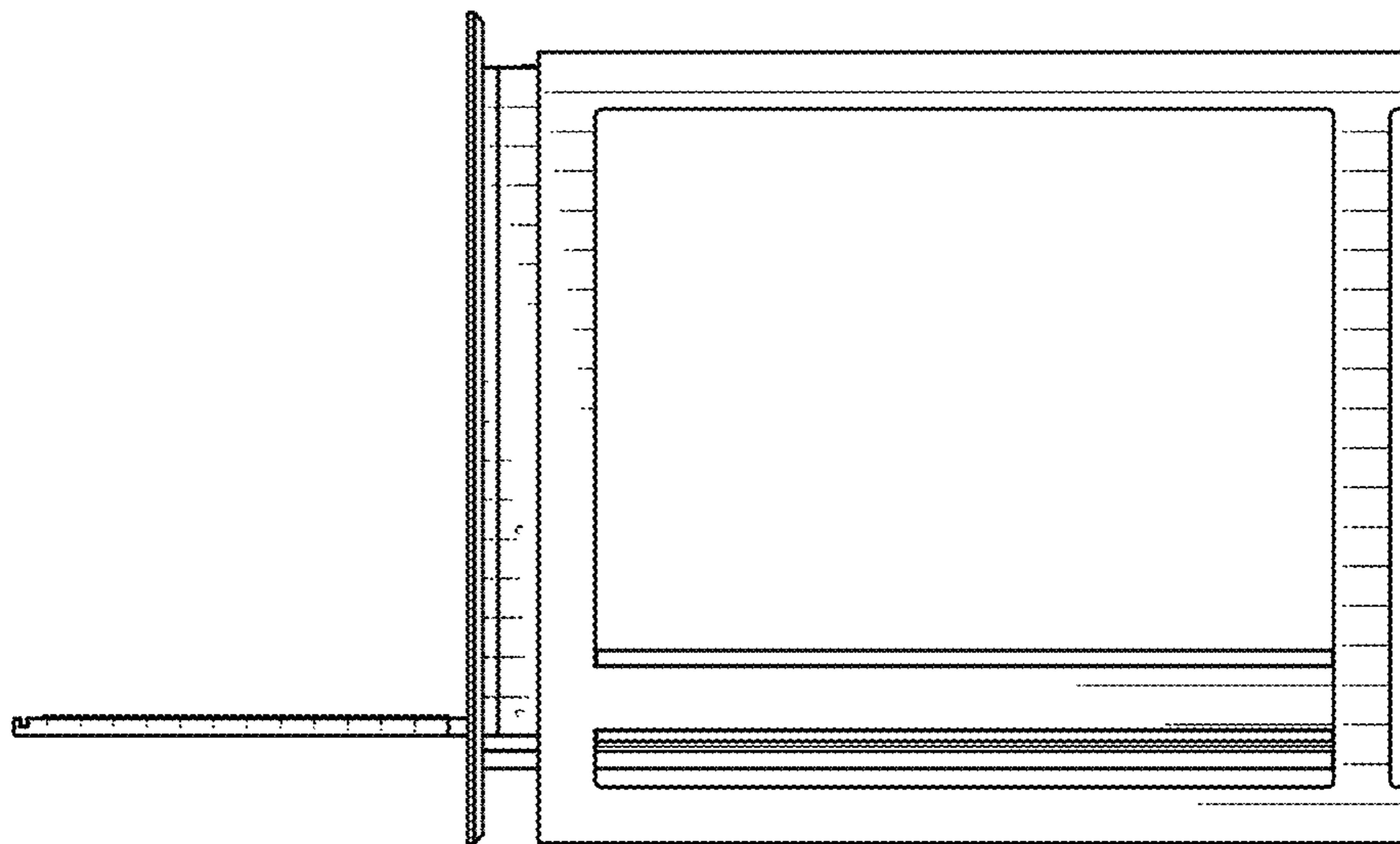


FIG. 4

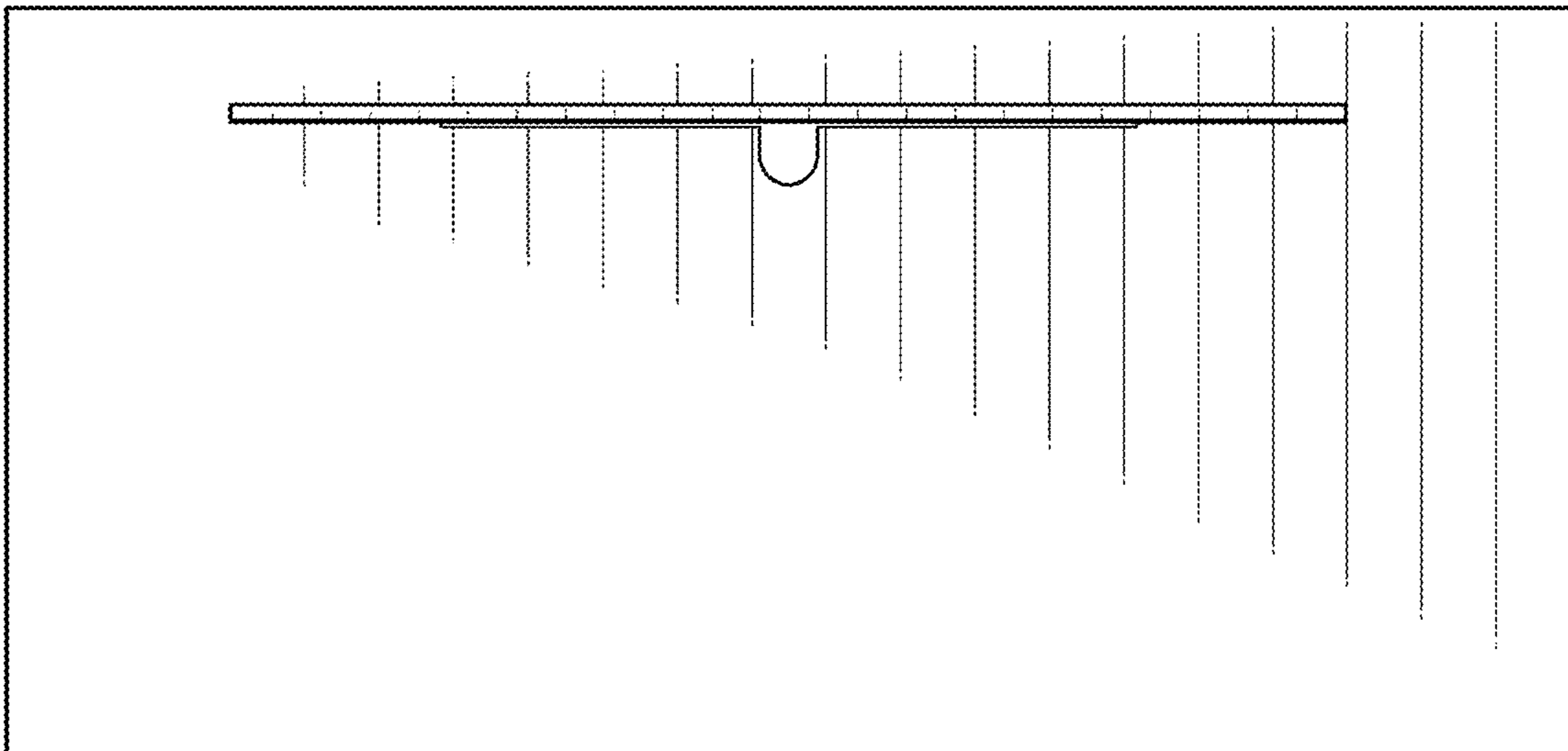


FIG. 6

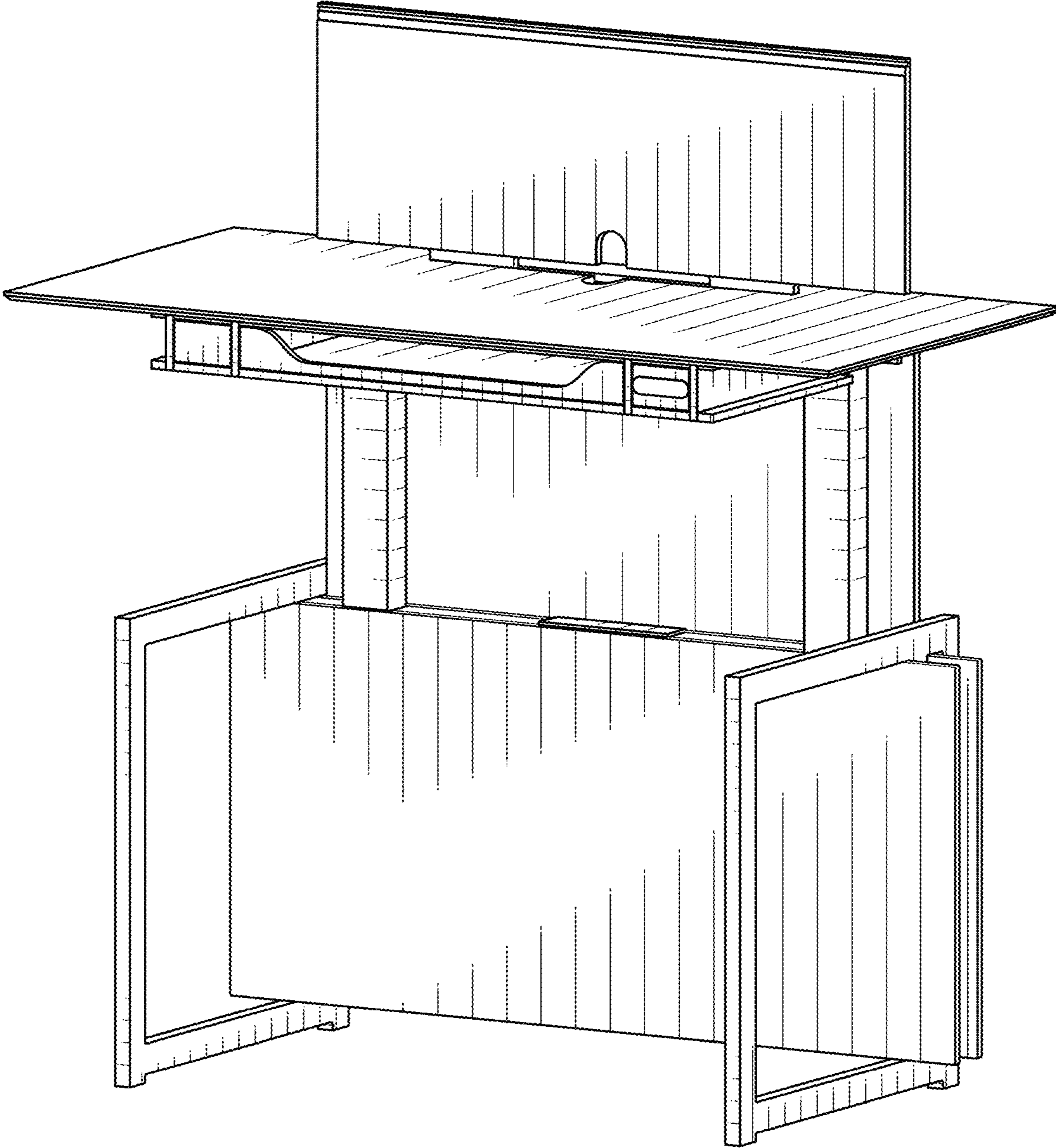


FIG. 7