



US00D975470S

(12) **United States Design Patent**
Johansson et al.

(10) **Patent No.:** **US D975,470 S**

(45) **Date of Patent:** **** *Jan. 17, 2023**

(54) **FLOORING GUARD FOR PETS**

(71) Applicants: **Bengt Johansson**, Norco, CA (US);
Joanne Hernandez, Norco, CA (US)

(72) Inventors: **Bengt Johansson**, Norco, CA (US);
Joanne Hernandez, Norco, CA (US)

(*) Notice: This patent is subject to a terminal disclaimer.

(**) Term: **15 Years**

(21) Appl. No.: **29/836,383**

(22) Filed: **Apr. 26, 2022**

Related U.S. Application Data

(60) Continuation-in-part of application No. 29/795,382, filed on Jun. 17, 2021, now Pat. No. Des. 949,598, which is a division of application No. 29/728,934, filed on Mar. 23, 2020, now Pat. No. Des. 949,597, which is a continuation-in-part of application No. 14/304,941, filed on Jun. 15, 2014, now Pat. No. 10,694,878.

(51) **LOC (14) Cl.** **06-11**

(52) **U.S. Cl.**
USPC **D6/582**

(58) **Field of Classification Search**
USPC D6/582-585, 588, 592, 596; D21/815; D23/214; D24/206
CPC A47G 27/02; A47G 27/0212; A47G 27/0206; A47G 27/062; A47G 27/0225; A47G 9/062; A63G 31/007; A61F 7/08; A61F 2007/0001
See application file for complete search history.

(56) **References Cited**

U.S. PATENT DOCUMENTS

5,048,182 A 9/1991 Robbins, III
5,489,459 A 2/1996 Nauman

D434,359 S 11/2000 Moore
D505,809 S 6/2005 Cassidy et al.
6,946,184 B2 9/2005 Robbins, III
6,946,484 B2* 9/2005 Adams A61K 33/00
514/718
7,029,743 B2 4/2006 Robbins, III
7,955,679 B2 6/2011 Duprez
D642,844 S * 8/2011 Cheris D6/582
D665,595 S * 8/2012 Francis A47G 27/0206
D6/406.3
8,524,350 B2 9/2013 Lee
8,663,775 B2 3/2014 Bitela et al.
D812,344 S 3/2018 Brazile et al.
9,962,027 B2* 5/2018 Amrine A47G 27/0206

(Continued)

Primary Examiner — Kevin K Rudzinski
Assistant Examiner — Clare Ann Gannon
(74) Attorney, Agent, or Firm — Kirk A. Buhler; Buhler & Associates Patenting

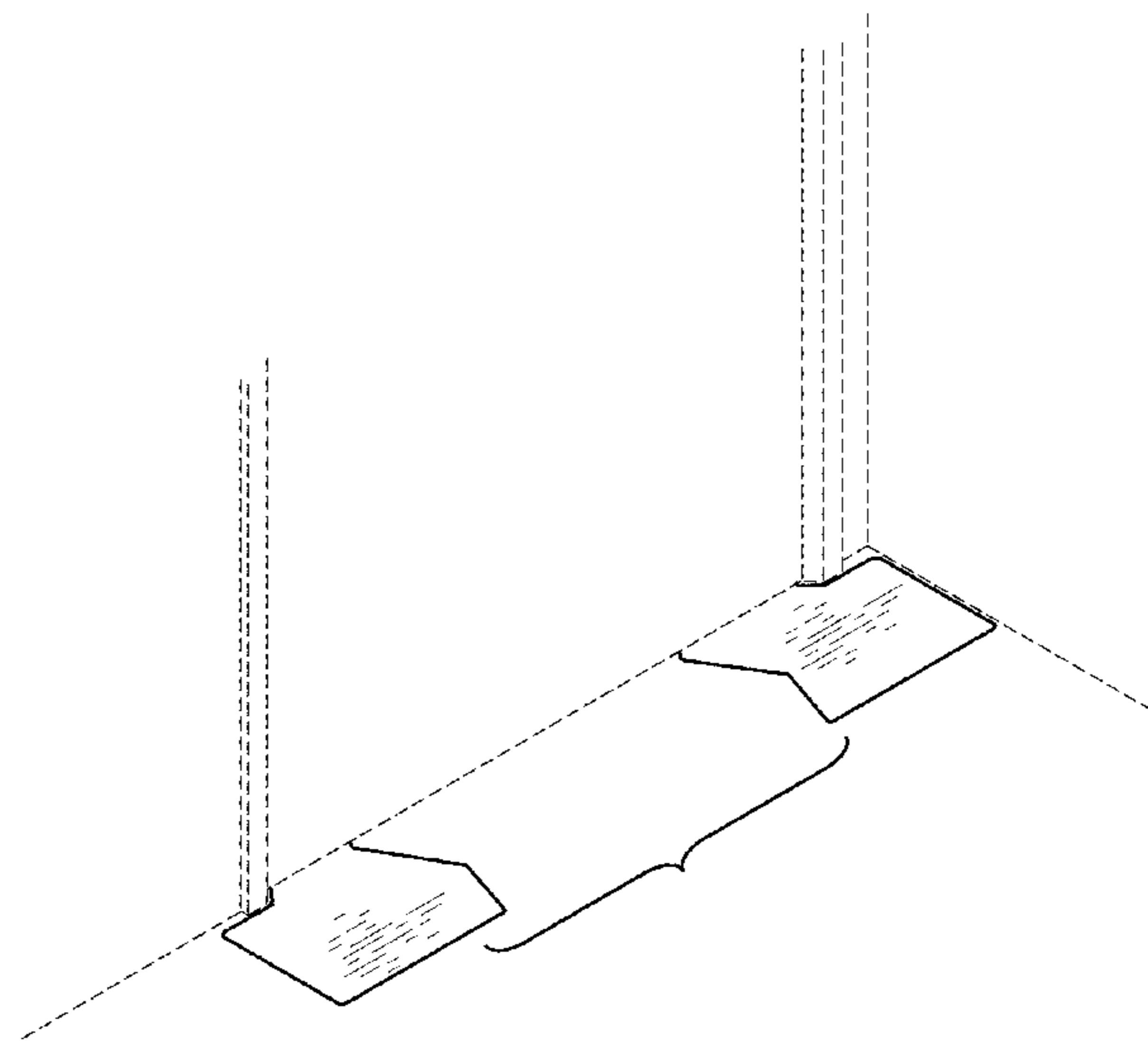
(57) **CLAIM**

The ornamental design for a flooring guard for pets, as shown and described.

DESCRIPTION

FIG. 1 is a top perspective view of a flooring guard for pets showing my new design in its environment;
FIG. 2 is a top perspective view thereof;
FIG. 3 is a rear elevation view thereof;
FIG. 4 is a top plan view thereof;
FIG. 5 is a front elevation view thereof;
FIG. 6 is a bottom view thereof; and,
FIG. 7 is a right-side elevation view, the left side elevation view being a mirror image thereof.
The broken lines in FIG. 1 depict environmental subject matter and form no part of the claimed design.
The claimed design is shown with a symbolic break in its length. The appearance of any portion of the article between the break lines forms no part of the claimed design.

1 Claim, 4 Drawing Sheets



(56)

References Cited

U.S. PATENT DOCUMENTS

D840,720 S *	2/2019	Amrine	D6/592
D886,492 S	6/2020	Farkas	
10,694,878 B1	6/2020	Johansson	
D949,597 S *	4/2022	Johansson	D6/582
D949,598 S *	4/2022	Johansson	A61K 33/00
			D6/582
2005/0058803 A1	3/2005	Bowden	
2012/0148787 A1	6/2012	Bitela et al.	
2012/0244308 A1	9/2012	Lee	
2014/0134384 A1	5/2014	Bitela	
2019/0343315 A1	11/2019	Lowenhagen	

* cited by examiner

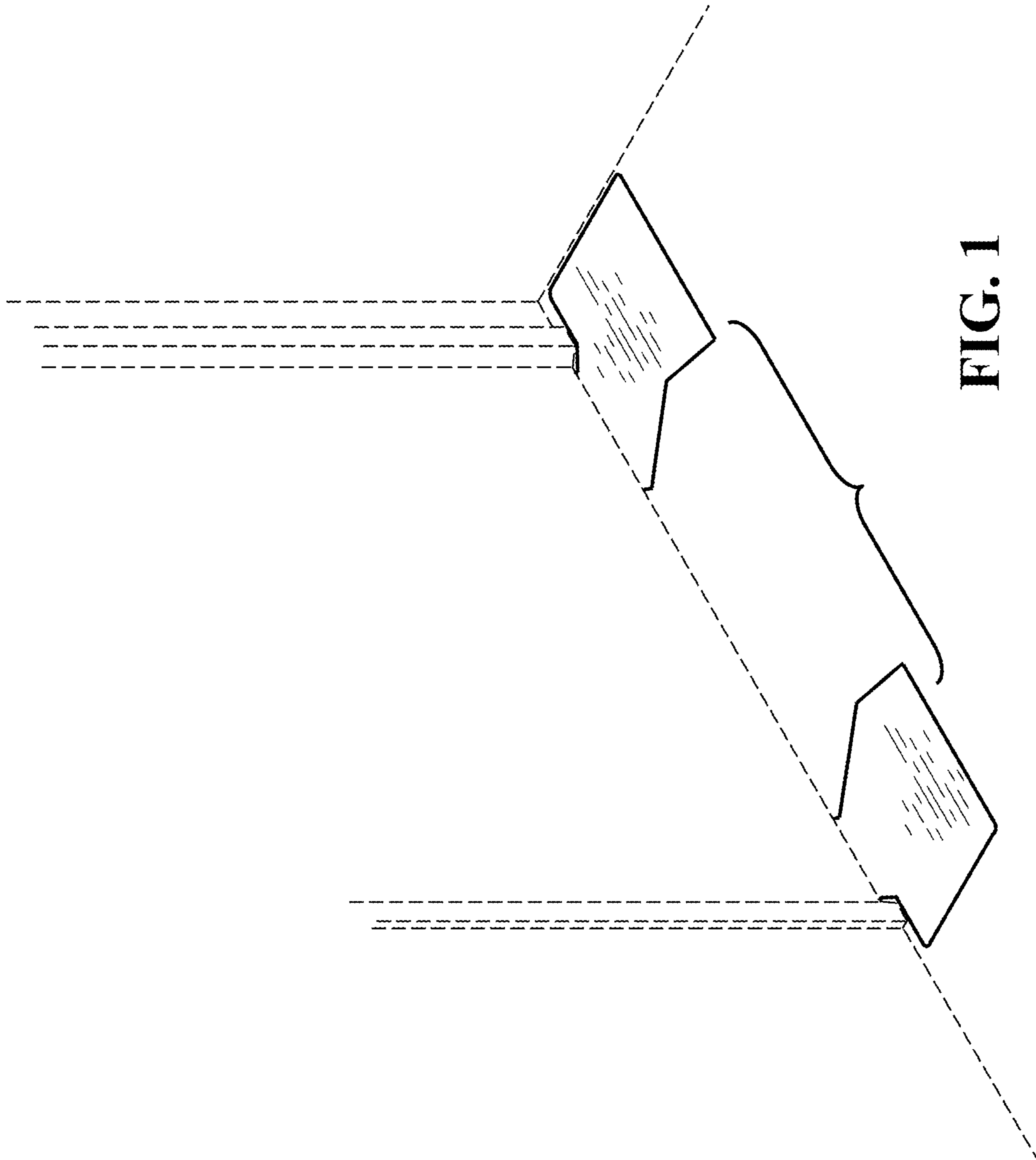


FIG. 1

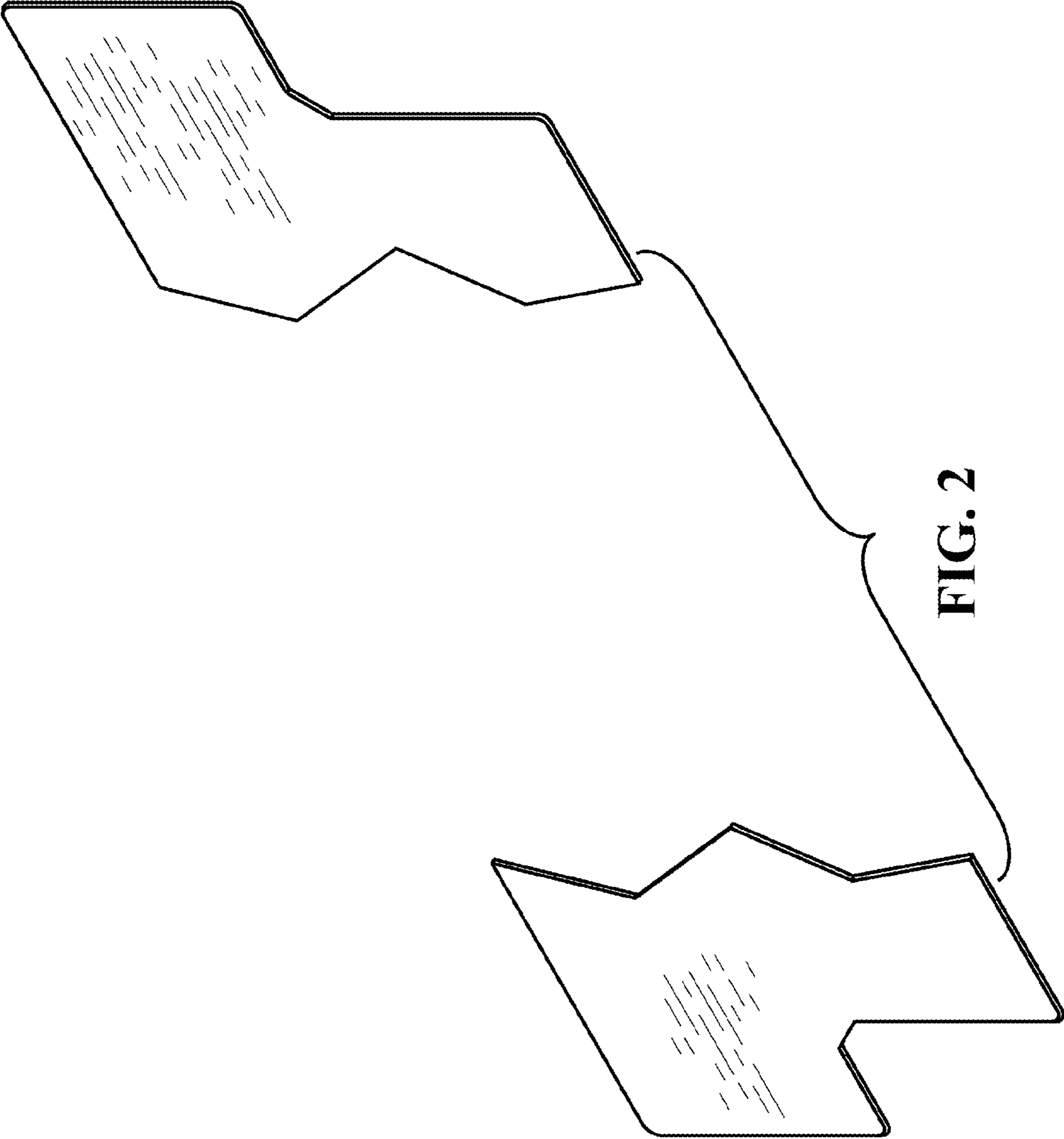




FIG. 3

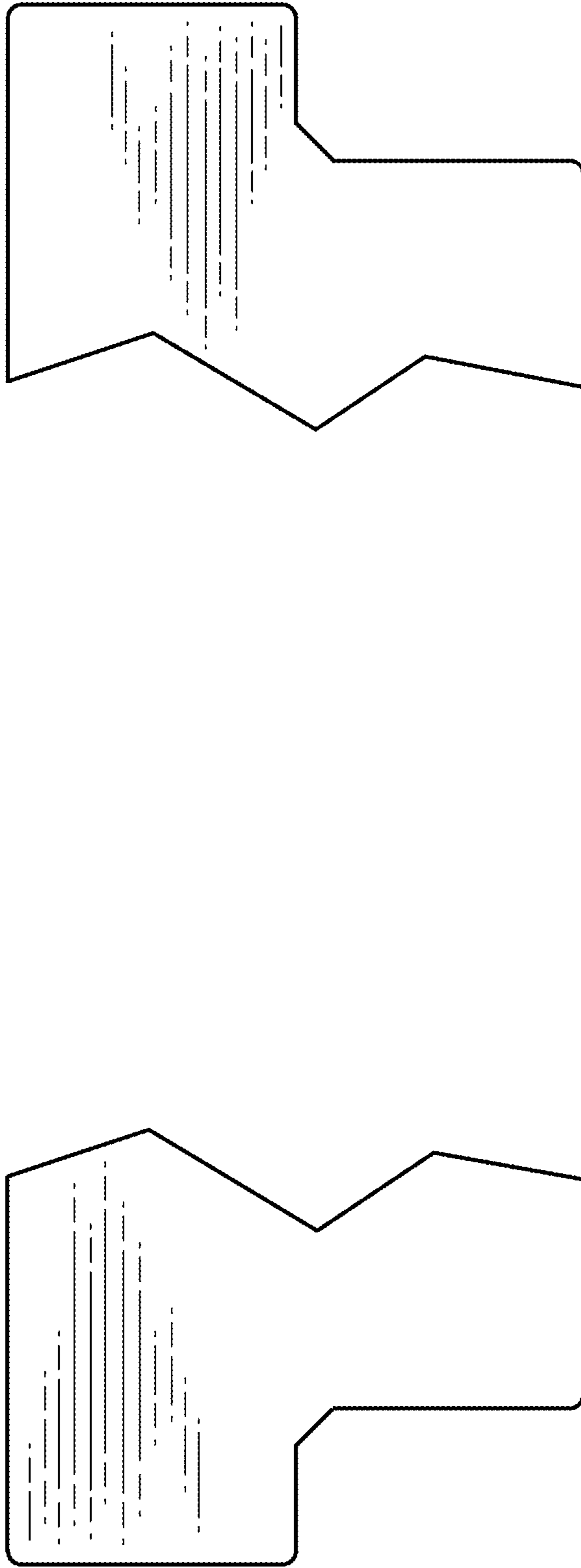


FIG. 4



FIG. 5

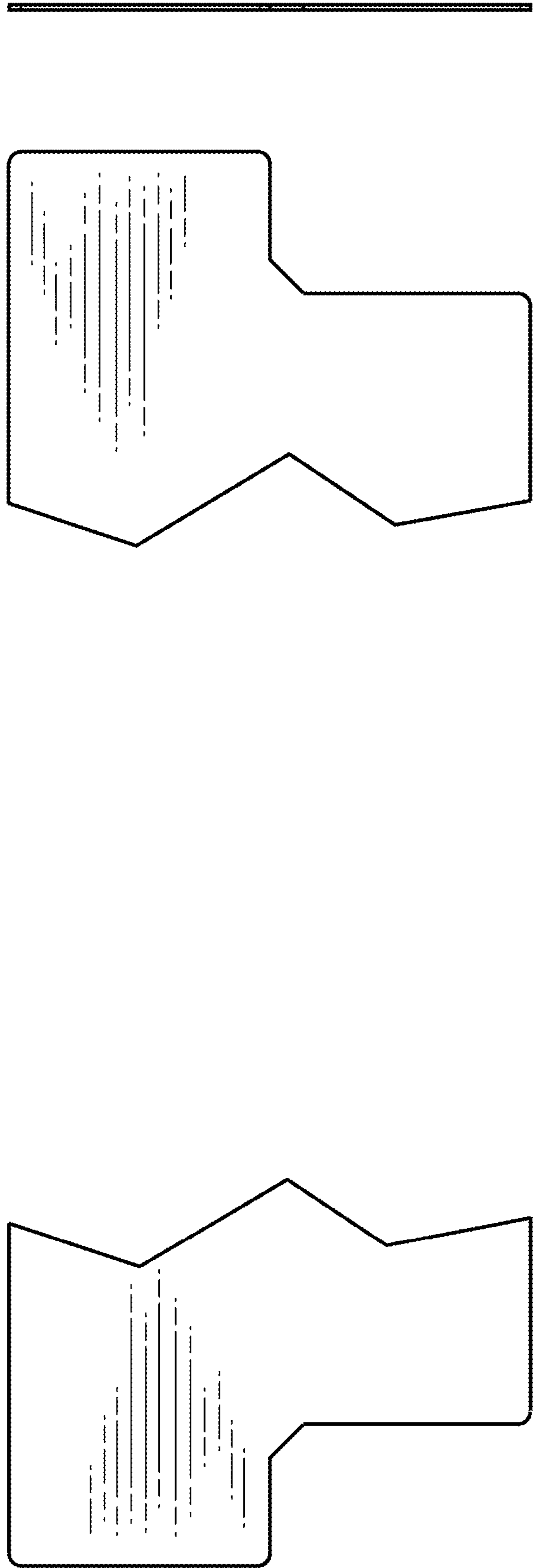


FIG. 7

FIG. 6