



US00D975468S

(12) **United States Design Patent** (10) **Patent No.:** **US D975,468 S**
Jacques et al. (45) **Date of Patent:** **** Jan. 17, 2023**

(54) **CLEANING SOLUTION DISPENSER**

D768,406 S * 10/2016 Patterson D6/545
D768,407 S * 10/2016 Patterson D6/545
D840,171 S * 2/2019 Buell D6/545

(71) Applicant: **Clean Logix, LLC**, Grand Rapids, MI (US)

(Continued)

(72) Inventors: **Adam Jacques**, Grand Rapids, MI (US); **Andrew Zieger**, Grand Rapids, MI (US)

FOREIGN PATENT DOCUMENTS

CN 301301789 * 8/2010
CN 302011700 * 7/2012

(73) Assignee: **Clean Logix, LLC.**, Grand Rapids, MI (US)

OTHER PUBLICATIONS

(**) Term: **15 Years**

Brighter Ventures: Automatic Soap Dispenser Wall Mount—40oz (1200ml) Touchless Wall Mounted Dispenser for Commercial & Home Bathroom, Stainless Steel Design for Liquid Soap & Hand Sanitizer by EnBath <https://a.co/d/7CVLy10>, Feb. 21, 2021 (Year: 2021).*

(21) Appl. No.: **29/748,837**

(Continued)

(22) Filed: **Sep. 1, 2020**

(51) **LOC (14) Cl.** **23-08**

Primary Examiner — Jennifer L Rempfer

(52) **U.S. Cl.**

Assistant Examiner — Bethany Louise Mallino

USPC **D6/542**

(74) *Attorney, Agent, or Firm* — Dickinson Wright PLLC

(58) **Field of Classification Search**

USPC D6/542–545; D7/397; D23/200, 208
CPC A47K 10/40; A47K 5/1217; A47K 5/12;
A47K 2005/1218

(57) **CLAIM**

The ornamental design for a cleaning solution dispenser, as shown and described.

See application file for complete search history.

DESCRIPTION

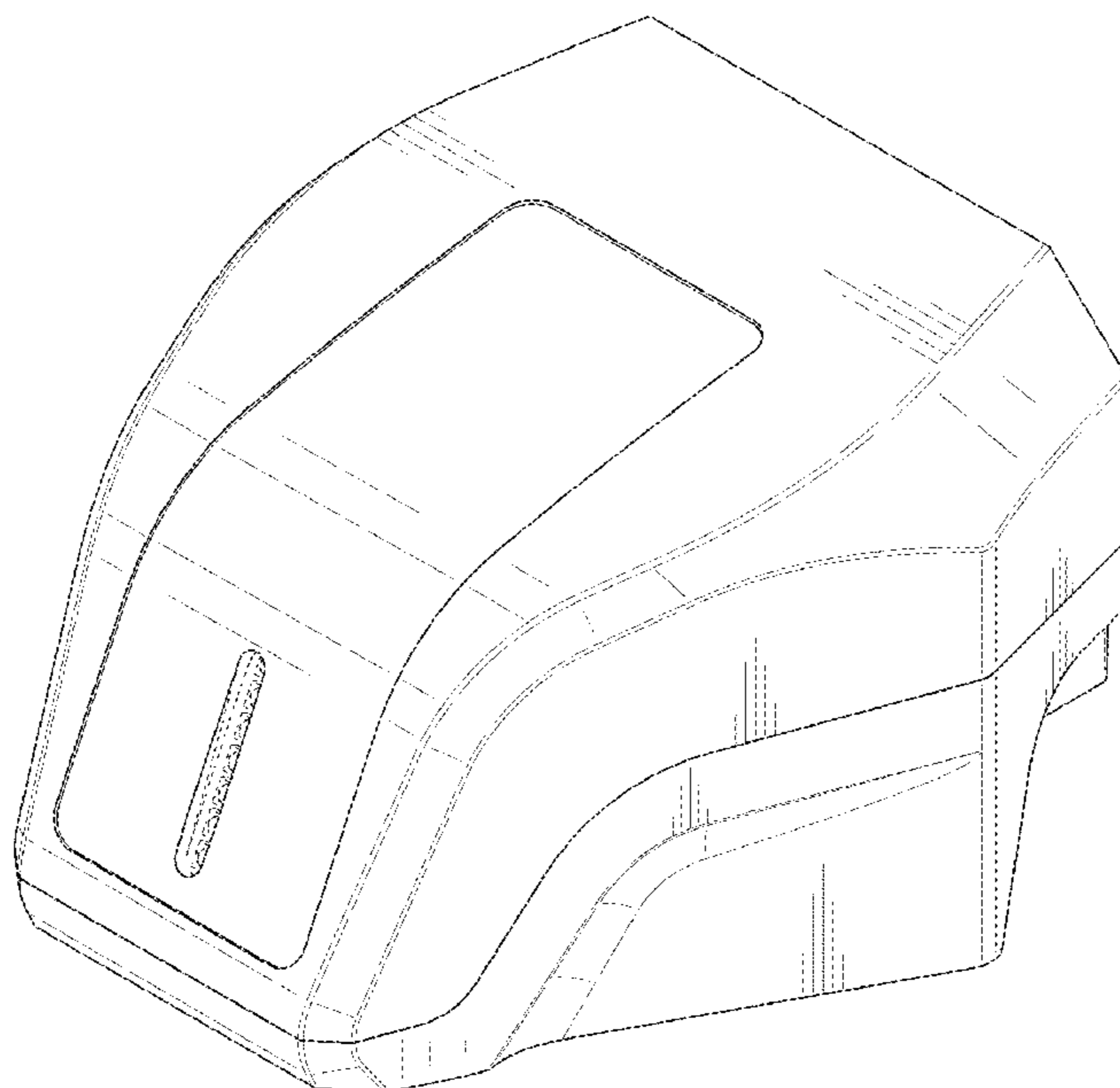
(56) **References Cited**

FIG. 1 is a perspective view of the cleaning solution dispenser, showing my new design;
FIG. 2 is a front view of the cleaning solution dispenser;
FIG. 3 is a rear view of the cleaning solution dispenser;
FIG. 4 is a left side view of the cleaning solution dispenser;
FIG. 5 is a right side view of the cleaning solution dispenser;
FIG. 6 is a top view of the cleaning solution dispenser; and,
FIG. 7 is a bottom view of the cleaning solution dispenser.
The broken lines in the drawings illustrate environment and portions of the cleaning solution dispenser that form no part of the claimed design.

U.S. PATENT DOCUMENTS

D414,363 S * 9/1999 Daansen D6/545
D431,404 S * 10/2000 Brazis D6/545
D445,284 S * 7/2001 Chen D6/545
D478,445 S * 8/2003 Daansen D6/545
D530,125 S * 10/2006 Vignot D6/545
D530,126 S * 10/2006 Reynolds D6/545
D579,250 S * 10/2008 Cittadino D6/545
D619,837 S * 7/2010 Kim D6/518
D619,838 S * 7/2010 Kim D6/518
D669,719 S * 10/2012 Green D6/545
D768,405 S * 10/2016 Patterson D6/545

1 Claim, 5 Drawing Sheets



(56)

References Cited

U.S. PATENT DOCUMENTS

D840,712 S * 2/2019 Buell D6/545
D840,713 S * 2/2019 Buell D6/545

OTHER PUBLICATIONS

Interhasa! Soap Dispenser, Touchless Hand Sanitizer Dispenser
Wall Mount Automatic Kitchen Soap Dispenser for Commercial
Home, Office, 600ml/20oz <https://a.co/d/gPr8tiT>, TinEye first found
Aug. 28, 2020 (Year: 2020).*

SSKANG Store: Hand Sanitizer Dispenser, Automatic Touchless
Soap Dispenser, Infrared Sensor 600ml Gel/Liquid Soap Dispenser
Wall Mount Operated for Hospital, Airport, Kitchen, Bathroom,
Hotel . . . (Black) <https://a.co/d/2ClonFm>, Aug. 18, 2021 (Year:
2021).*

* cited by examiner

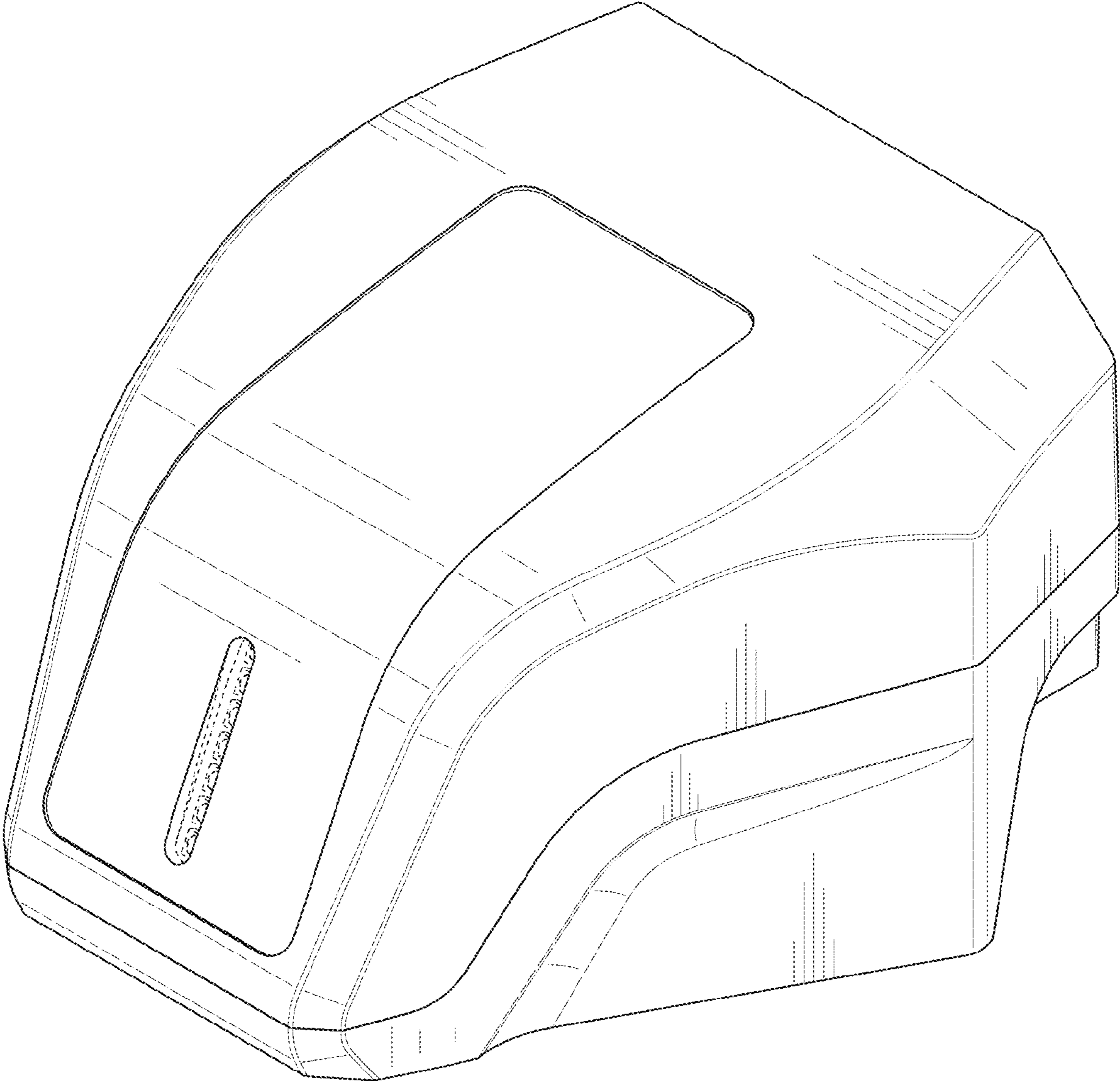


FIG. 1

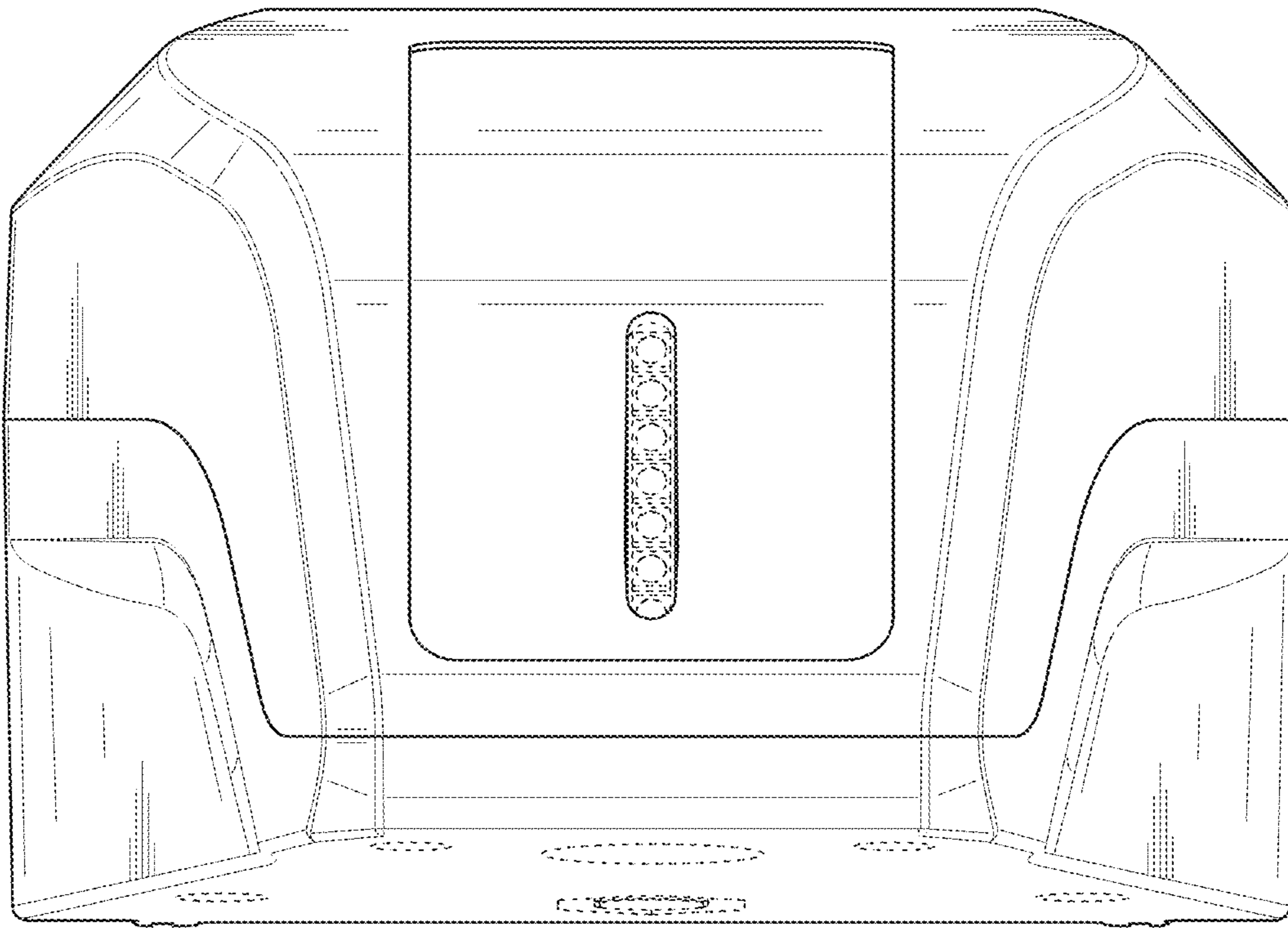


FIG. 2

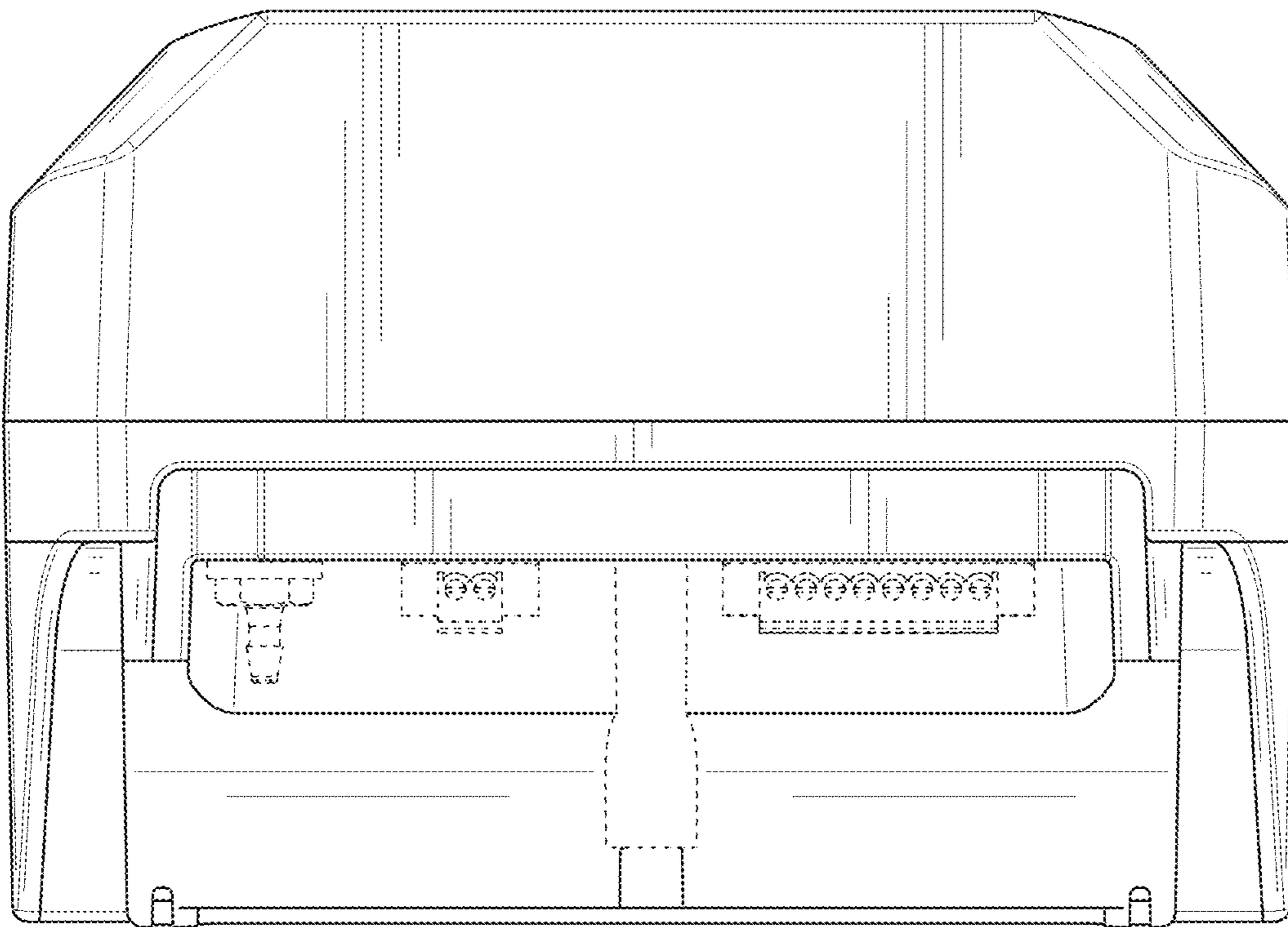


FIG. 3

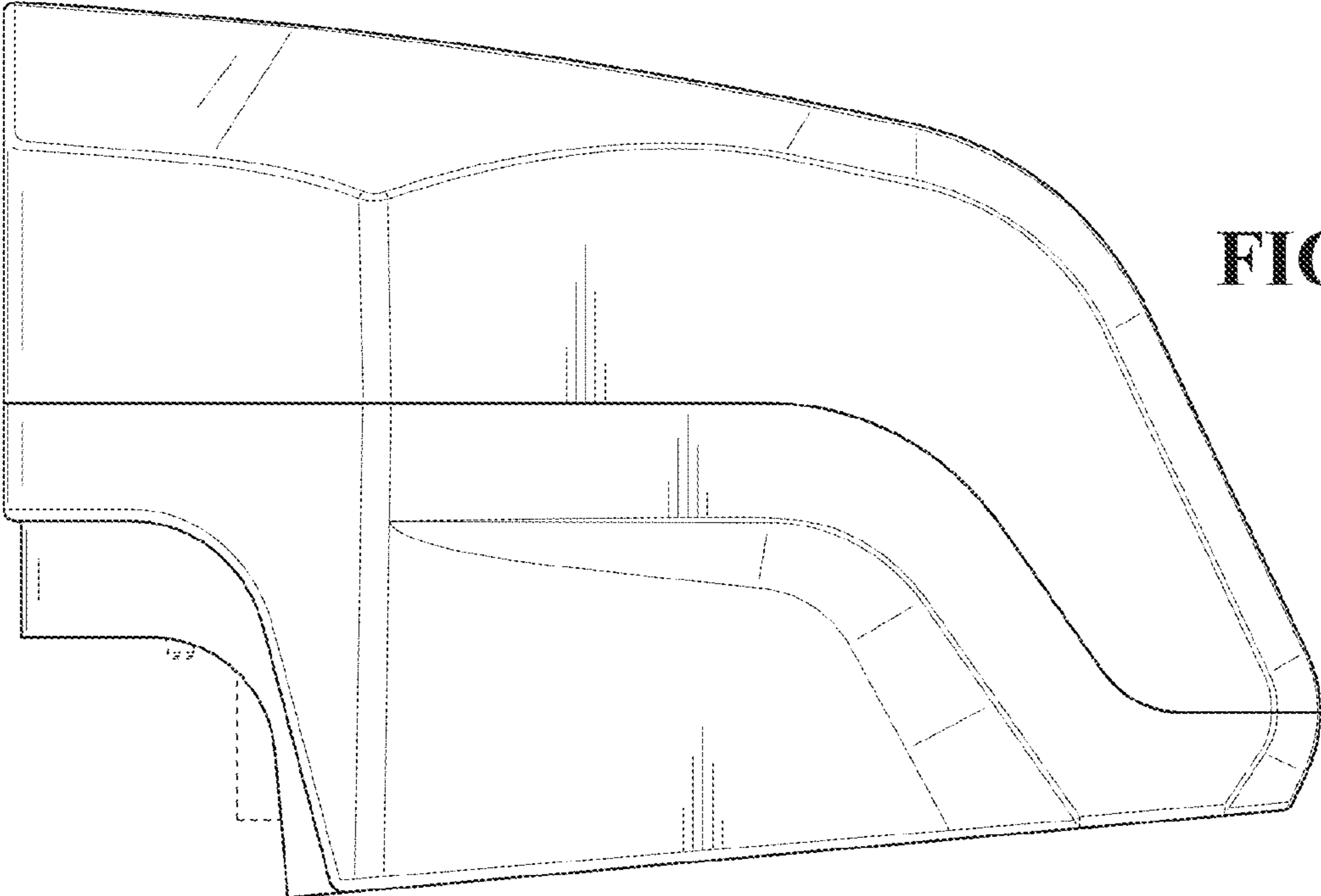
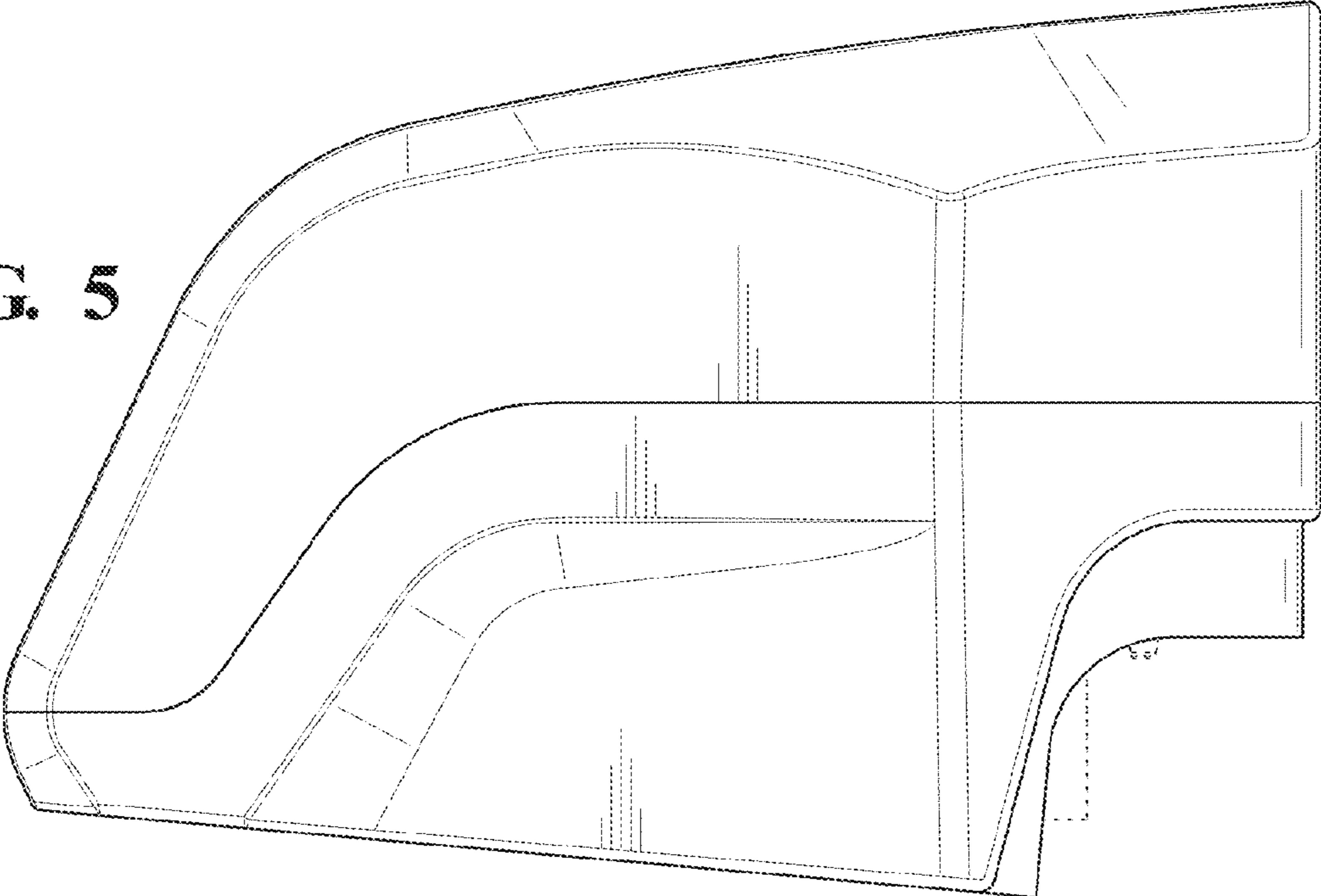


FIG. 4

FIG. 5



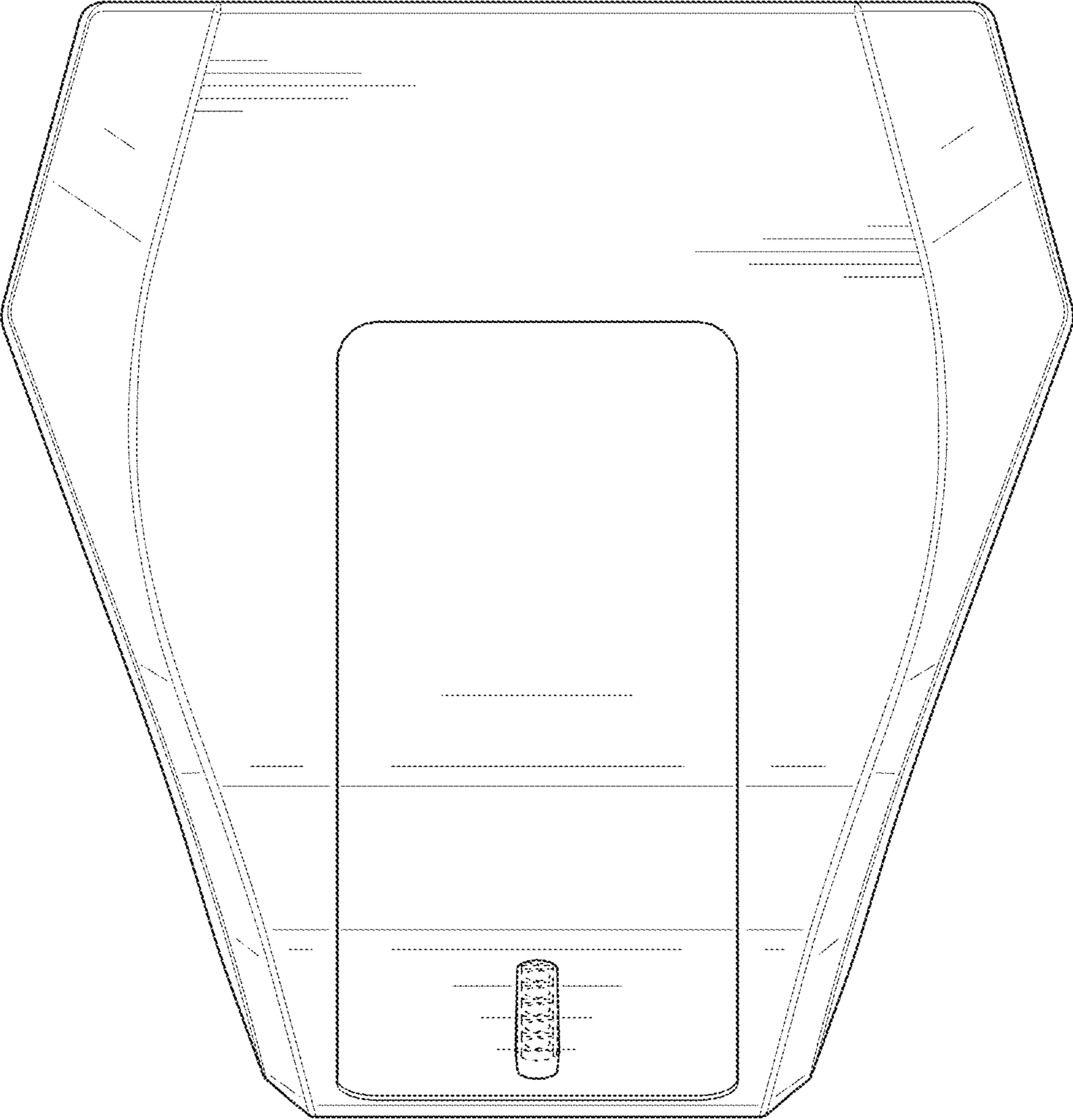


FIG. 6

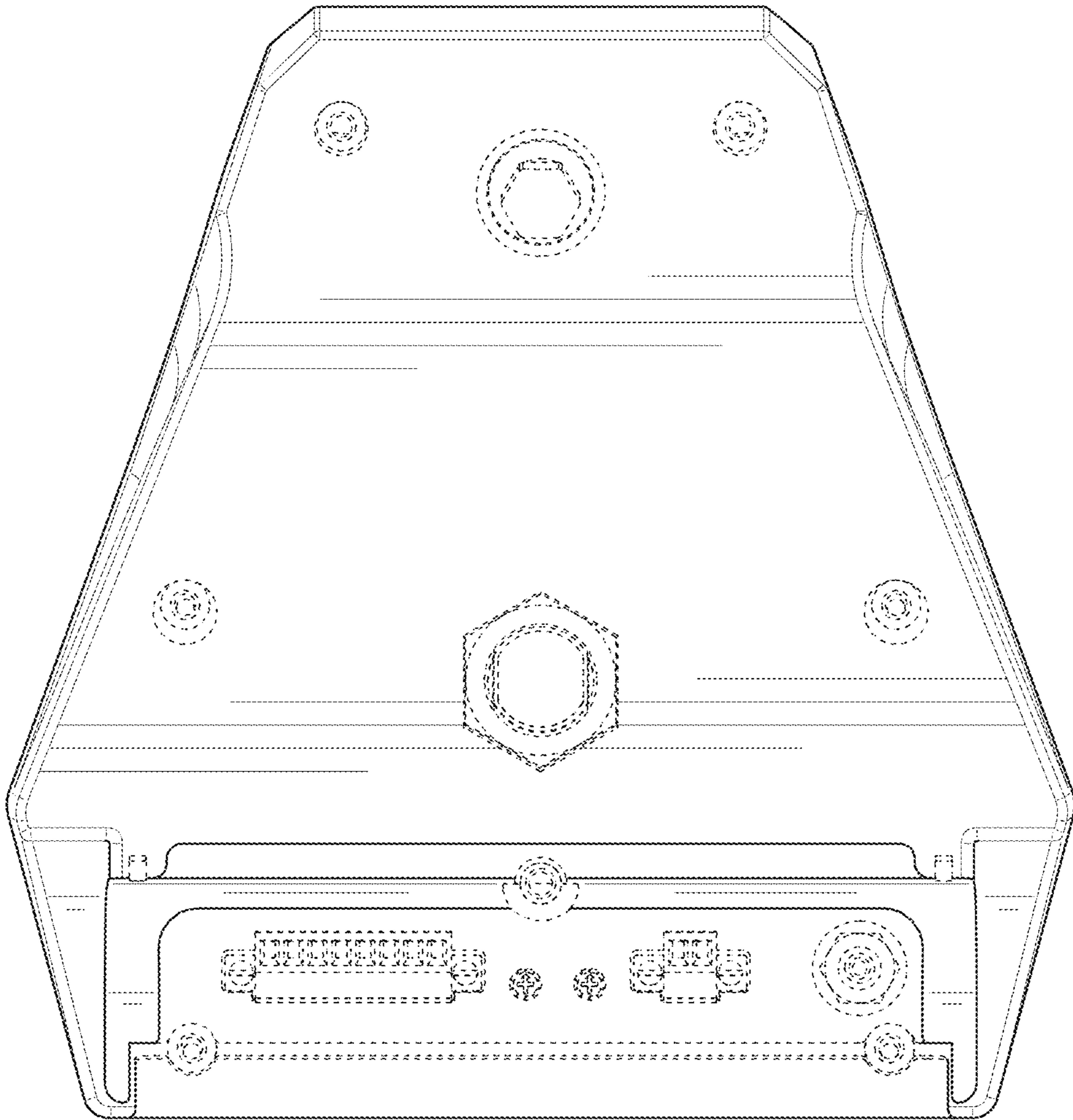


FIG. 7