



US00D975467S

(12) **United States Design Patent** (10) **Patent No.: US D975,467 S**
Kraemer (45) **Date of Patent: ** Jan. 17, 2023**

(54) **HOLDER**

(71) Applicant: **Metro Decor LLC**, Glenwillow, OH
(US)

(72) Inventor: **Kevin Francis Kraemer**, Chagrin Falls,
OH (US)

(73) Assignee: **Metro Decor LLC**, Glenwillow, OH
(US)

(**) Term: **15 Years**

(21) Appl. No.: **29/825,304**

(22) Filed: **Jan. 31, 2022**

Related U.S. Application Data

(60) Continuation-in-part of application No. 29/775,179,
filed on Mar. 22, 2021, now Pat. No. Des. 944,013,
which is a continuation of application No.
29/733,377, filed on May 1, 2020, now Pat. No. Des.
913,694, application No. 29/825,304, which is a
continuation-in-part of application No. 29/733,318,
filed on Apr. 30, 2020, now Pat. No. Des. 942,229,
and a continuation-in-part of application No.
29/733,254, filed on Apr. 30, 2020, said application
No. 29/733,377 is a division of application No.
(Continued)

(51) **LOC (14) Cl.** **03-01**

(52) **U.S. Cl.**
USPC **D6/515; D3/304**

(58) **Field of Classification Search**
USPC D6/524, 306, 313-315, 491, 512, 515,
D6/518, 520, 522-523, 570; D8/372;
D19/90, 92, 77-78; D9/733; D3/304,
D3/307-309, 201

CPC A47K 2010/3253; A47K 10/16; A47K
10/32; A47F 1/04; A47F 1/125

See application file for complete search history.

(56) **References Cited**

U.S. PATENT DOCUMENTS

D191,144 S * 8/1961 Schanz D3/307
3,259,269 A * 7/1966 Asenbauer B65D 25/05
206/509

(Continued)

OTHER PUBLICATIONS

Amazon.com, Sorbus Soda Can Organizer and Canned Food Bin
Stackable Dispenser, Feb. 21, 2020, [https://www.amazon.com/
Sorbus-Organizer-Dispenser-Refrigerator-Freezer/dp/
B0851T1JVB/](https://www.amazon.com/Sorbus-Organizer-Dispenser-Refrigerator-Freezer/dp/B0851T1JVB/) (Year: 2020).*

(Continued)

Primary Examiner — Nathan M Johnston

(74) *Attorney, Agent, or Firm* — Calfee, Halter &
Griswold LLP

(57) **CLAIM**

I claim the ornamental design for a holder, as shown and
described.

DESCRIPTION

FIG. 1 is a front/left/top perspective view of a holder (a
front/right/top perspective view would be a mirror image
thereof), disclaimed portions that would be visible behind
the transparent surfaces being omitted for a clear disclosure
of the surface configuration;

FIG. 2 is a rear/right/bottom perspective view thereof (a
rear/left/bottom perspective view would be a mirror image
thereof);

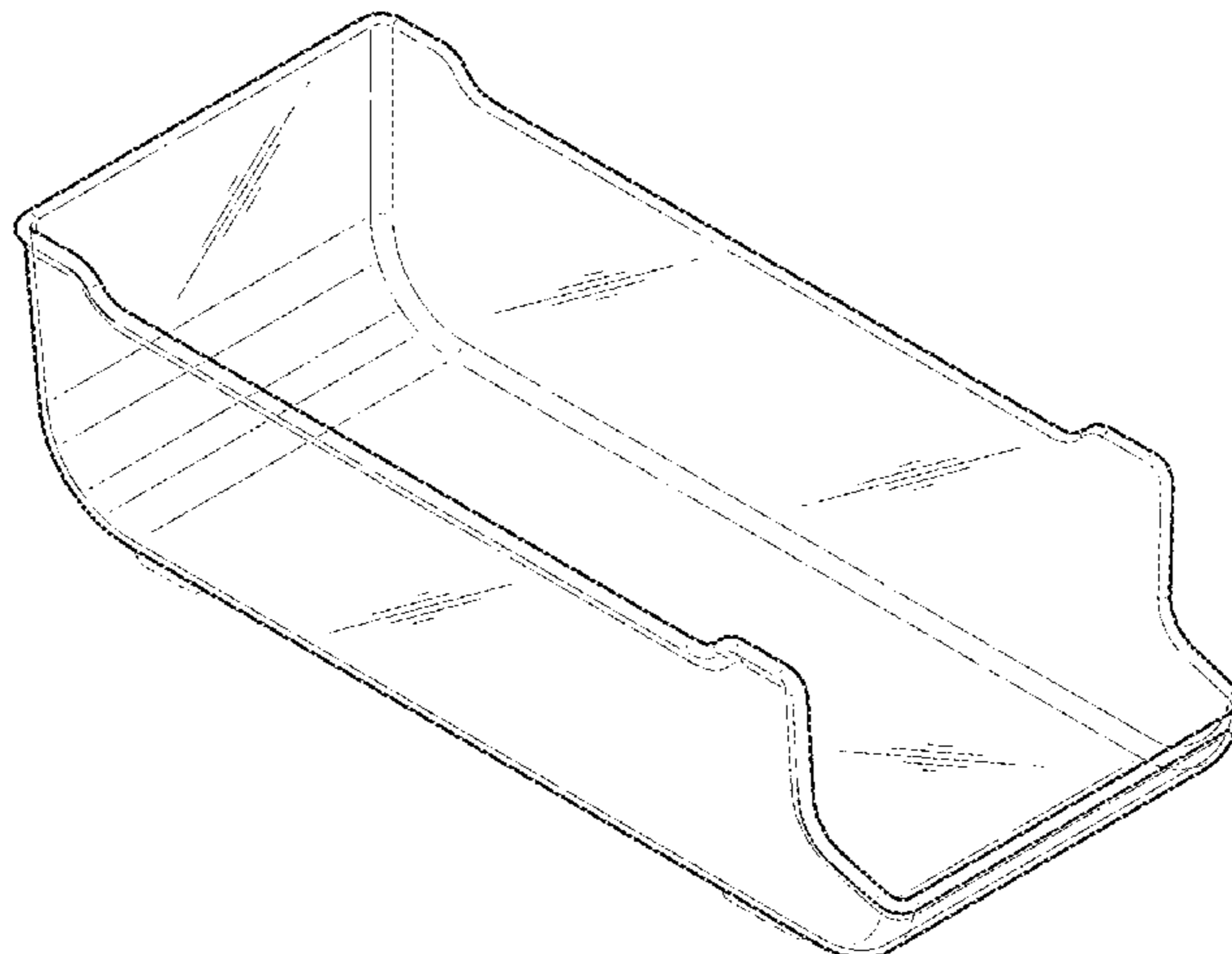
FIG. 3 is a front elevational view thereof;

FIG. 4 is a left side elevational view thereof;

FIG. 5 is a top plan view thereof, disclaimed portions that
would be visible behind the transparent surfaces being
omitted for a clear disclosure of the surface configuration;
and,

FIG. 6 is a bottom plan view thereof.

(Continued)



The broken lines show portions of the holder that form no part of the claimed design.

1 Claim, 4 Drawing Sheets

Related U.S. Application Data

29/712,033, filed on Nov. 5, 2019, now Pat. No. Des. 893,874, said application No. 29/733,318 is a division of application No. 29/678,010, filed on Jan. 25, 2019, now Pat. No. Des. 902,594, said application No. 29/712,033 is a continuation of application No. 29/656,713, filed on Jul. 16, 2018, now Pat. No. Des. 878,050, said application No. 29/733,254 is a division of application No. 29/641,608, filed on Mar. 23, 2018, now Pat. No. Des. 921,361, said application No. 29/678,010 is a continuation of application No. 29/638,819, filed on Mar. 1, 2018, now Pat. No. Des. 842,606, said application No. 29/656,713 is a continuation of application No. 29/614,789, filed on Aug. 23, 2017, now Pat. No. Des. 826,061, which is a continuation of application No. 29/551,071, filed on Jan. 11, 2016, now Pat. No. Des. 799,219, said application No. 29/641,608 is a continuation of application No. 29/547,268, filed on Dec. 2, 2015, now Pat. No. Des. 813,575, said application No. 29/638,819 is a continuation of application No. 29/546,621, filed on Nov. 24, 2015, now Pat. No. Des. 811,768, said application No. 29/551,071 is a continuation of application No. 29/503,223, filed on Sep. 24, 2014,

now Pat. No. Des. 750,443, which is a continuation of application No. 29/480,138, filed on Jan. 23, 2014, now abandoned, said application No. 29/547,268 is a continuation of application No. 29/449,963, filed on Mar. 15, 2013, now Pat. No. Des. 747,102, said application No. 29/480,138 is a continuation of application No. 29/444,254, filed on Jan. 29, 2013, now Pat. No. Des. 698,612, said application No. 29/546,621 is a continuation of application No. 29/423,096, filed on May 29, 2012, now Pat. No. Des. 746,643.

(56)

References Cited

U.S. PATENT DOCUMENTS

D301,927	S	*	6/1989	Williams, Jr.	D3/304
D327,971	S	*	7/1992	Cugley	D3/304
D630,852	S	*	1/2011	Kobilarcik	D3/307
D635,770	S	*	4/2011	Kobilarcik	D3/304
D639,560	S	*	6/2011	Brown	D3/304
D709,289	S	*	7/2014	Kraemer	D19/92
D745,781	S	*	12/2015	Hsu	D3/304
D786,556	S	*	5/2017	Jones	D3/304
D887,746	S	*	6/2020	Kraemer	D6/515
D913,694	S	*	3/2021	Kraemer	D19/92
2005/0127015	A1	*	6/2005	Medcalf	A47F 1/087 211/59.2

OTHER PUBLICATIONS

Metro decor website, Soda Can Dispenser, Aug. 25, 2021, <https://mdesignhomedecor.com/collections/can-dispensers/products/soda-can-dispenser-asm-8835?variant=41367407395000> (Year: 2021).*

* cited by examiner

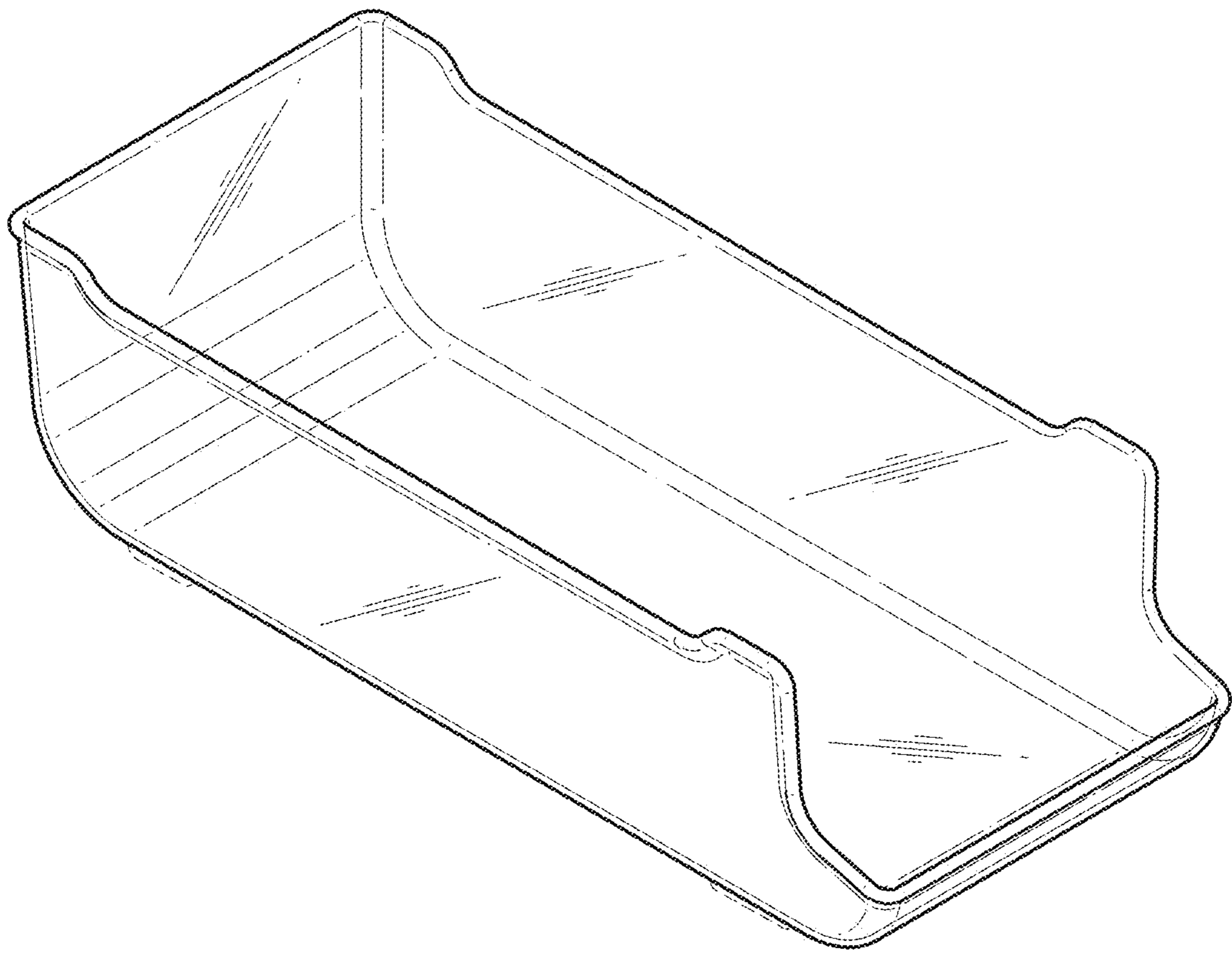


FIG. 1

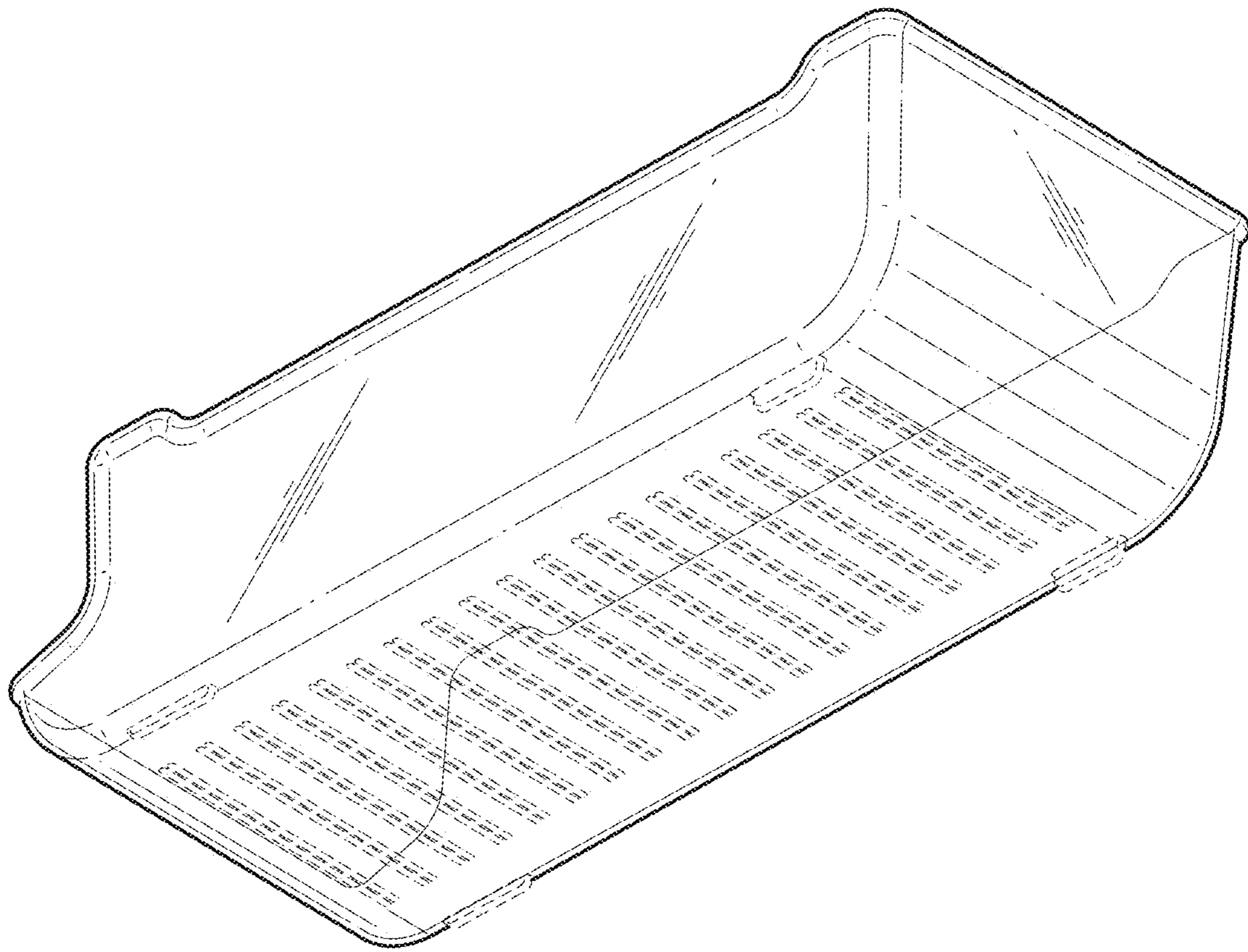


FIG. 2

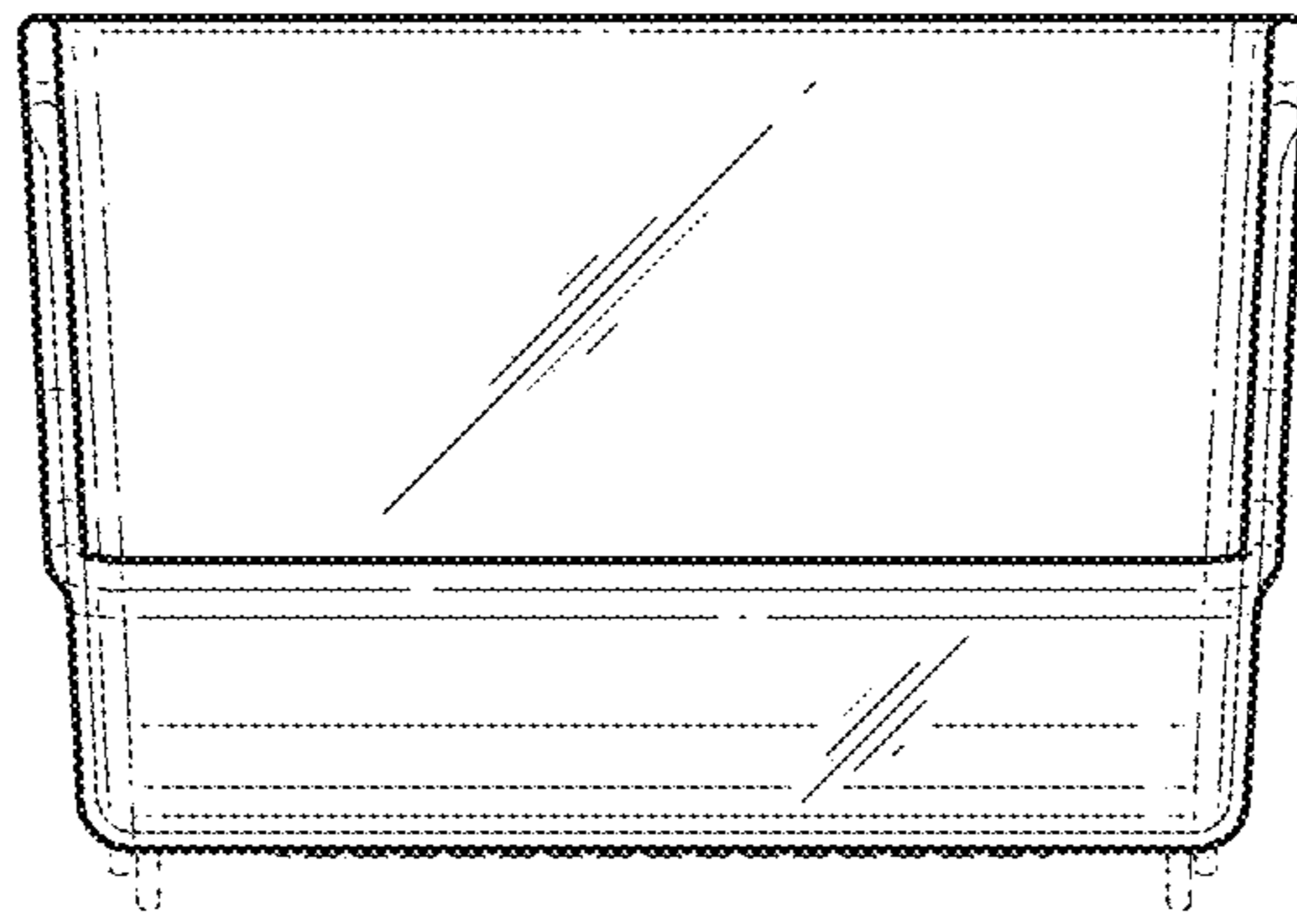


FIG. 3

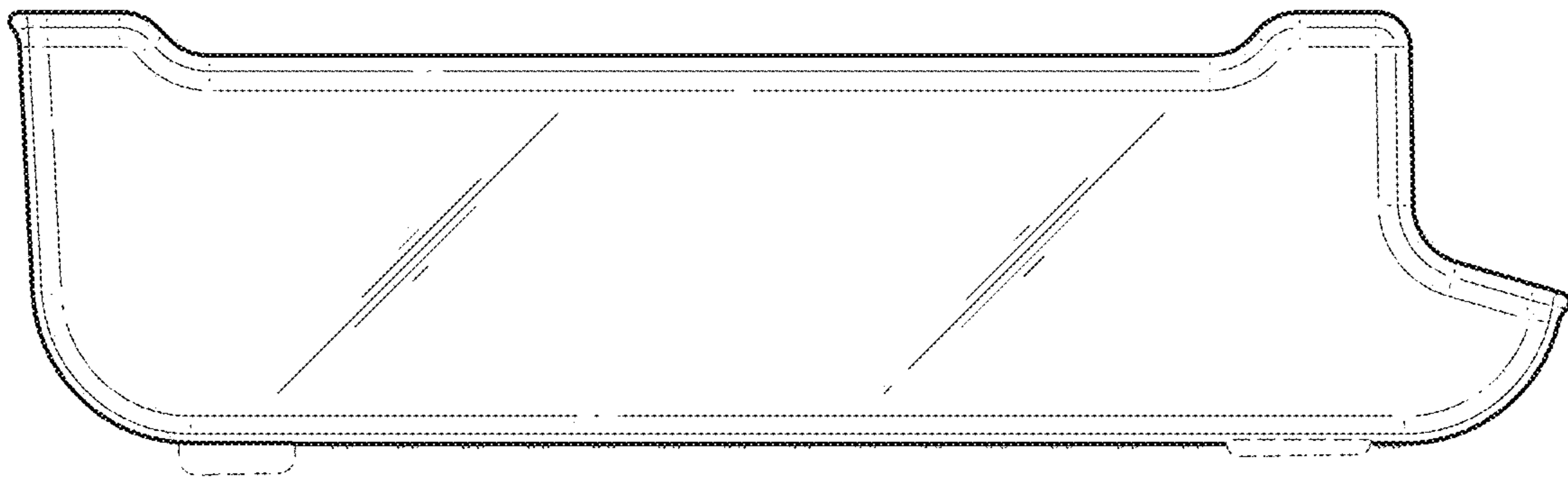


FIG. 4

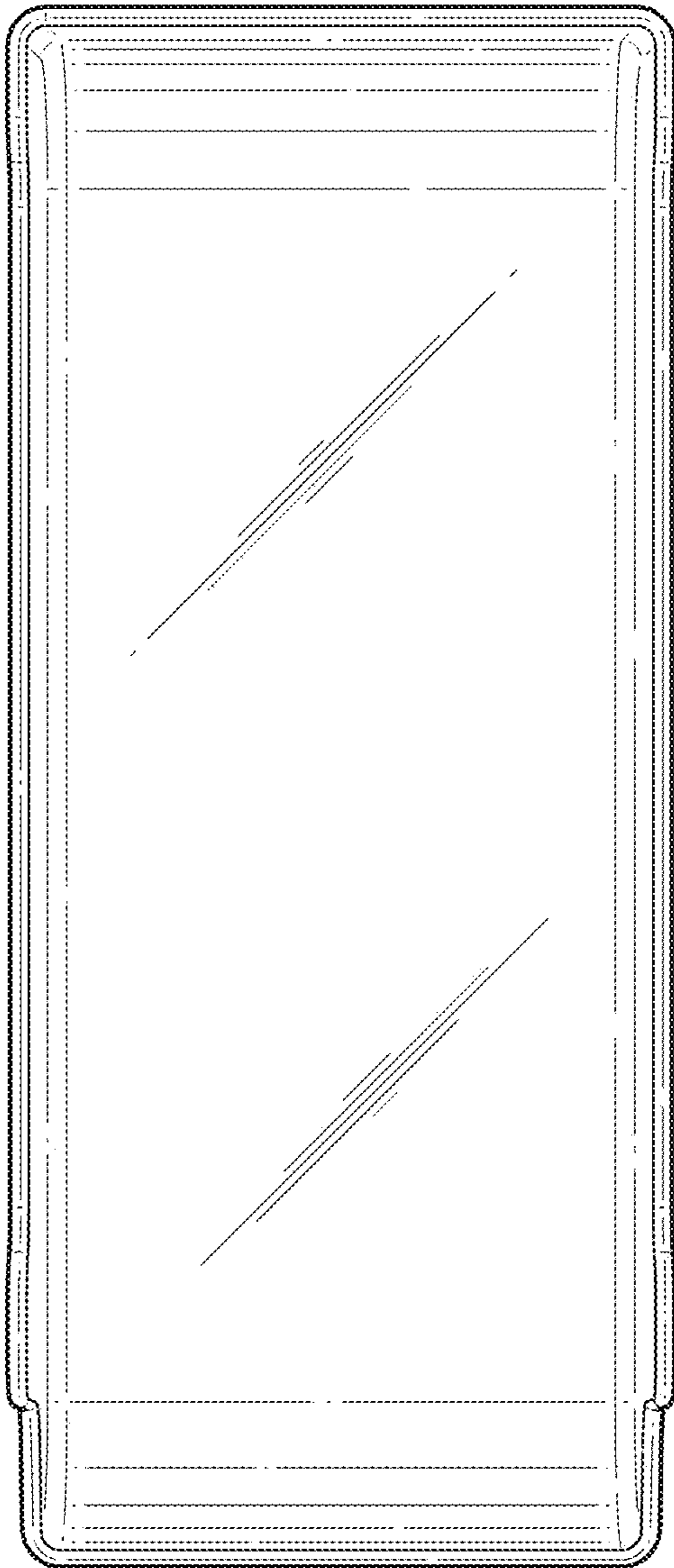


FIG. 5

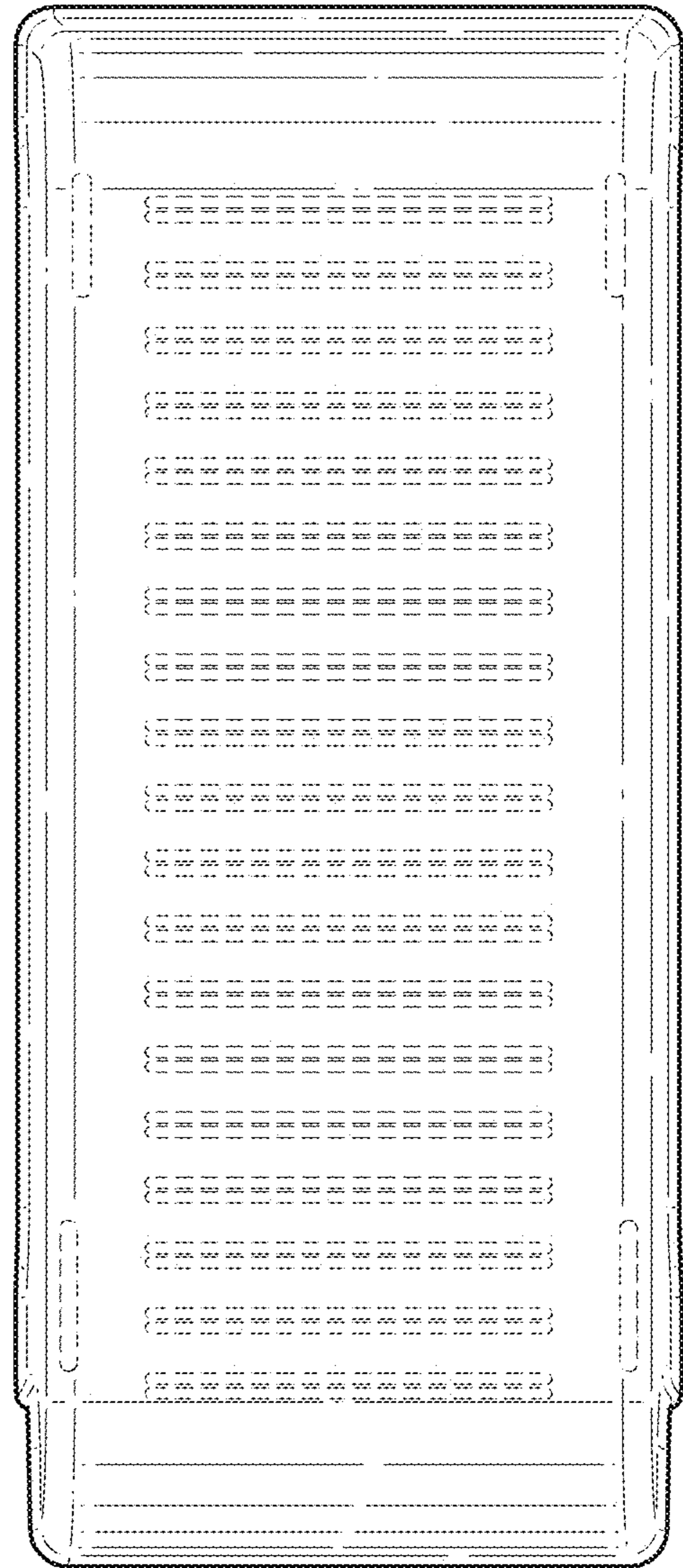


FIG. 6