



US00D975457S

(12) **United States Design Patent**
Zhang

(10) **Patent No.:** **US D975,457 S**
(45) **Date of Patent:** **** Jan. 17, 2023**

(54) **CHILDREN'S CHAIR**

(71) Applicant: **Shenzhen FeiSha Trading Co., Ltd.**,
Shenzhen (CN)

(72) Inventor: **Wei Zhang**, Shenzhen (CN)

(73) Assignee: **Shenzhen FeiSha Trading Co., Ltd.**,
Shenzhen (CN)

(**) Term: **15 Years**

(21) Appl. No.: **29/854,334**

(22) Filed: **Sep. 23, 2022**

(51) **LOC (14) Cl.** **06-01**

(52) **U.S. Cl.**
USPC **D6/333**

(58) **Field of Classification Search**
USPC D6/333-335, 339, 391, 389, 372, 375,
D6/715, 708.16; D12/401-403;
280/30-31, 642, 47.38, 647, 650, 658;
D34/27
CPC A47C 29/00; A47C 31/02; A47C 7/62;
A47C 7/66; A47D 15/00; A47D 13/00;
A47D 13/02; A47D 13/025; A47D 13/10;
A47D 13/102; A47D 13/105; A47D
13/107; A47D 9/02; A47D 1/02; B60N
2/28

See application file for complete search history.

(56) **References Cited**

U.S. PATENT DOCUMENTS

D347,121 S * 5/1994 Harper D6/333
D643,636 S 8/2011 Hu
D651,000 S * 12/2011 Sclare D6/333
D652,221 S 1/2012 Lee

D657,147 S * 4/2012 Sclare D6/333
D737,061 S * 8/2015 Daley D6/344
D751,305 S * 3/2016 Robbins D6/333
D863,794 S * 10/2019 Holleis A47D 13/10
D6/333

* cited by examiner

Primary Examiner — Abraham Bahta

(74) *Attorney, Agent, or Firm* — ScienBiziP, P.C.

(57) **CLAIM**

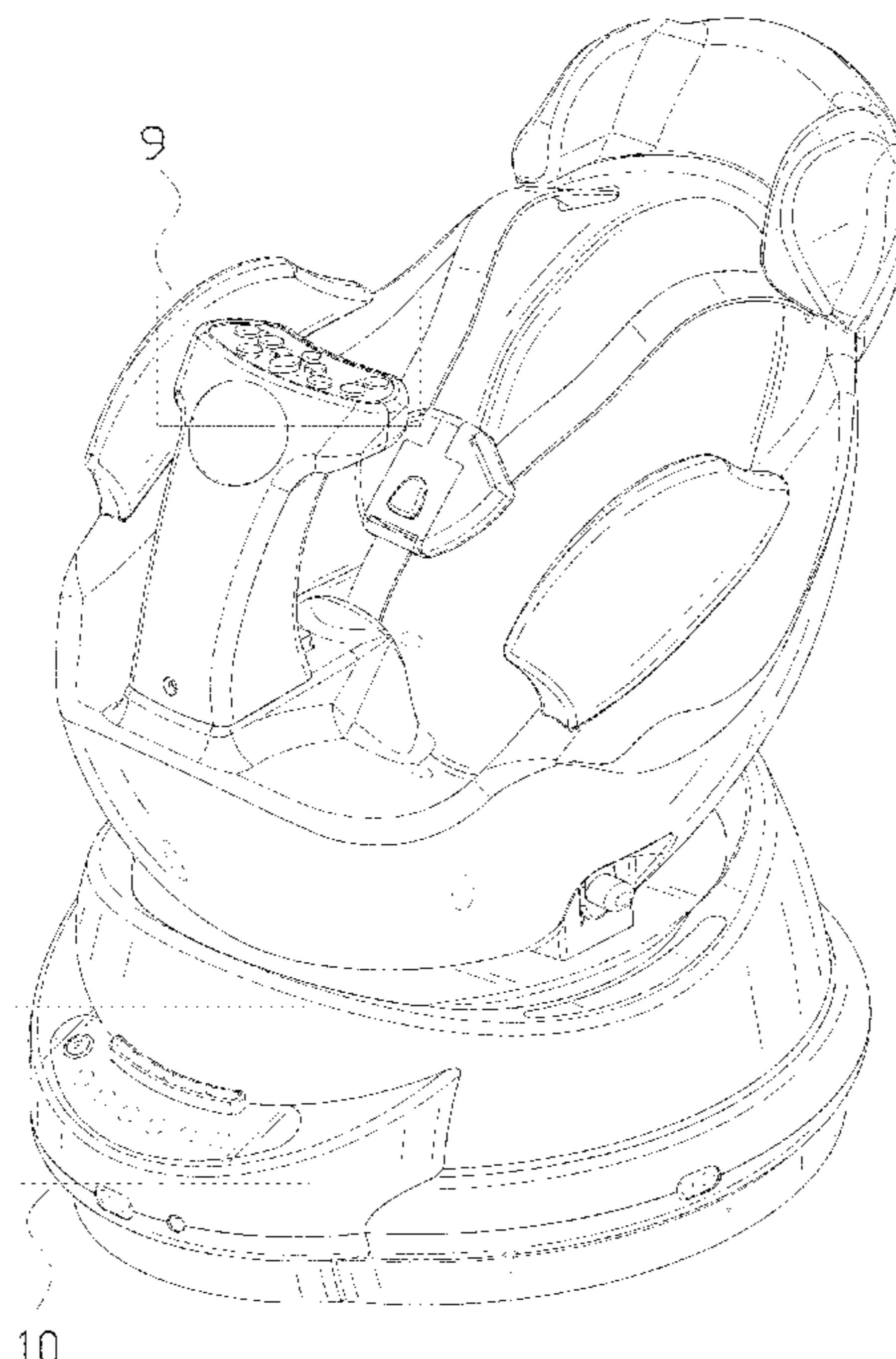
The ornamental design for a children's chair, as shown and described.

DESCRIPTION

FIG. 1 is a front, right and top perspective view of a children's chair, showing my design.
FIG. 2 is a rear, left and bottom perspective view thereof.
FIG. 3 is a front elevation view thereof.
FIG. 4 is a rear elevation view thereof.
FIG. 5 is a left side elevation view thereof.
FIG. 6 is a right side elevation view thereof.
FIG. 7 is a top plan view thereof.
FIG. 8 is a bottom plan view thereof.
FIG. 9 is a partial enlarged view of an area labeled 9 in FIG. 1.
FIG. 10 is a partial enlarged view of an area labeled 10 in FIG. 1; and,
FIG. 11 is a partial enlarged view of an area labeled 11 in FIG. 2.

The broken lines depict portions of the children's chair that form no part of the claimed design. The dot-dash broken lines in FIGS. 1, 2, and 9-11 depict the boundaries of the enlargements that form no part of the claimed design.

1 Claim, 11 Drawing Sheets



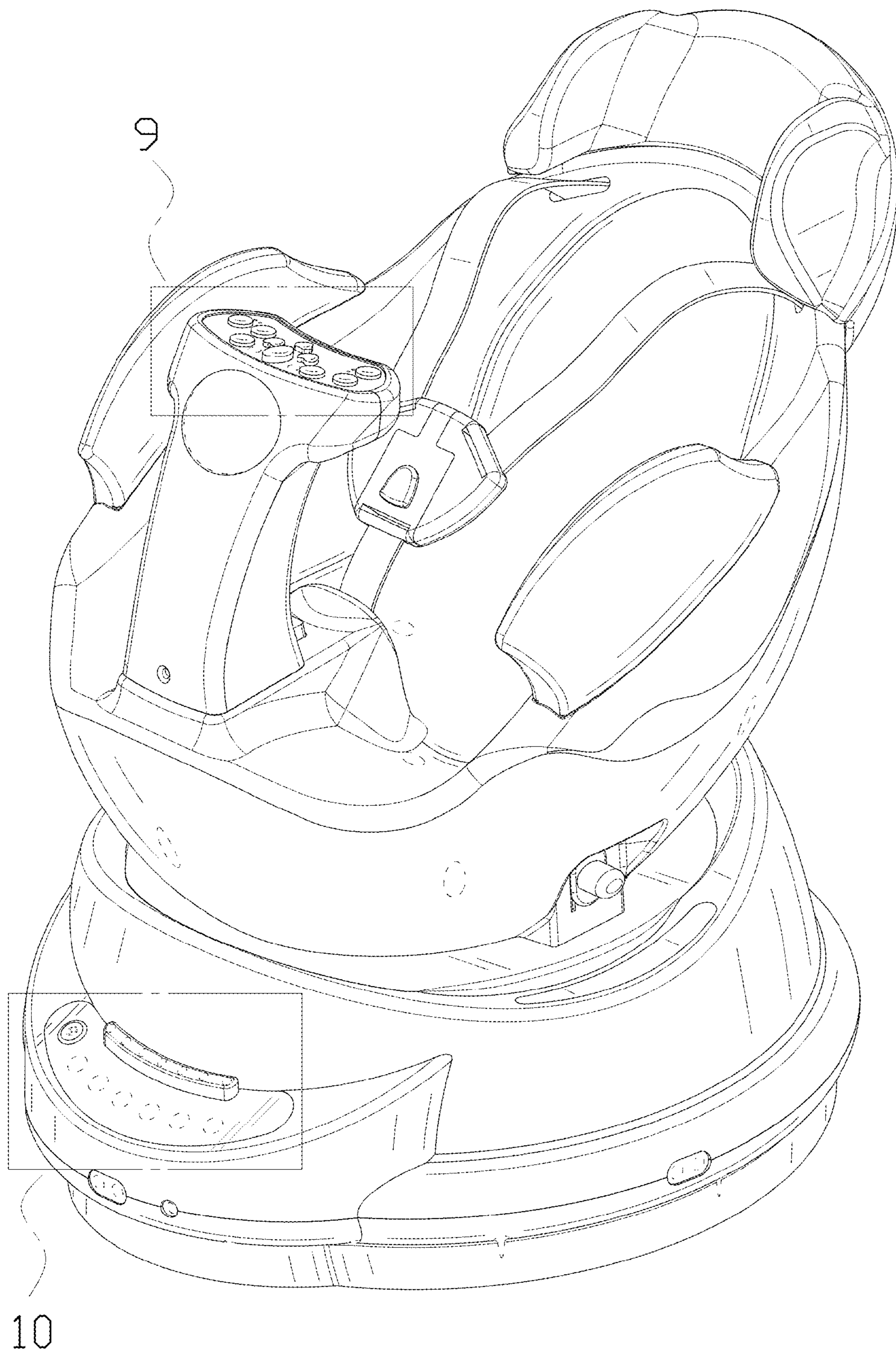


FIG. 1

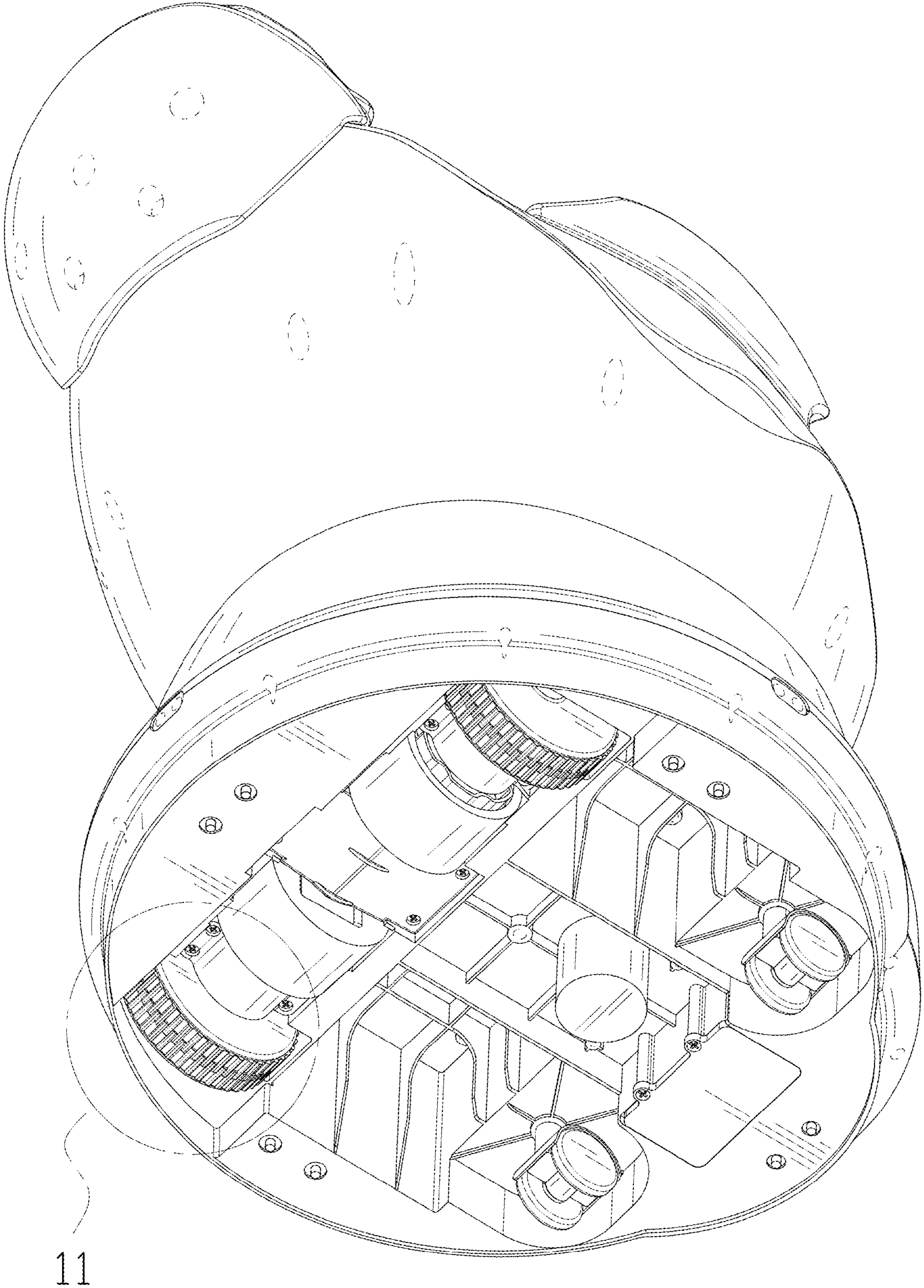


FIG. 2

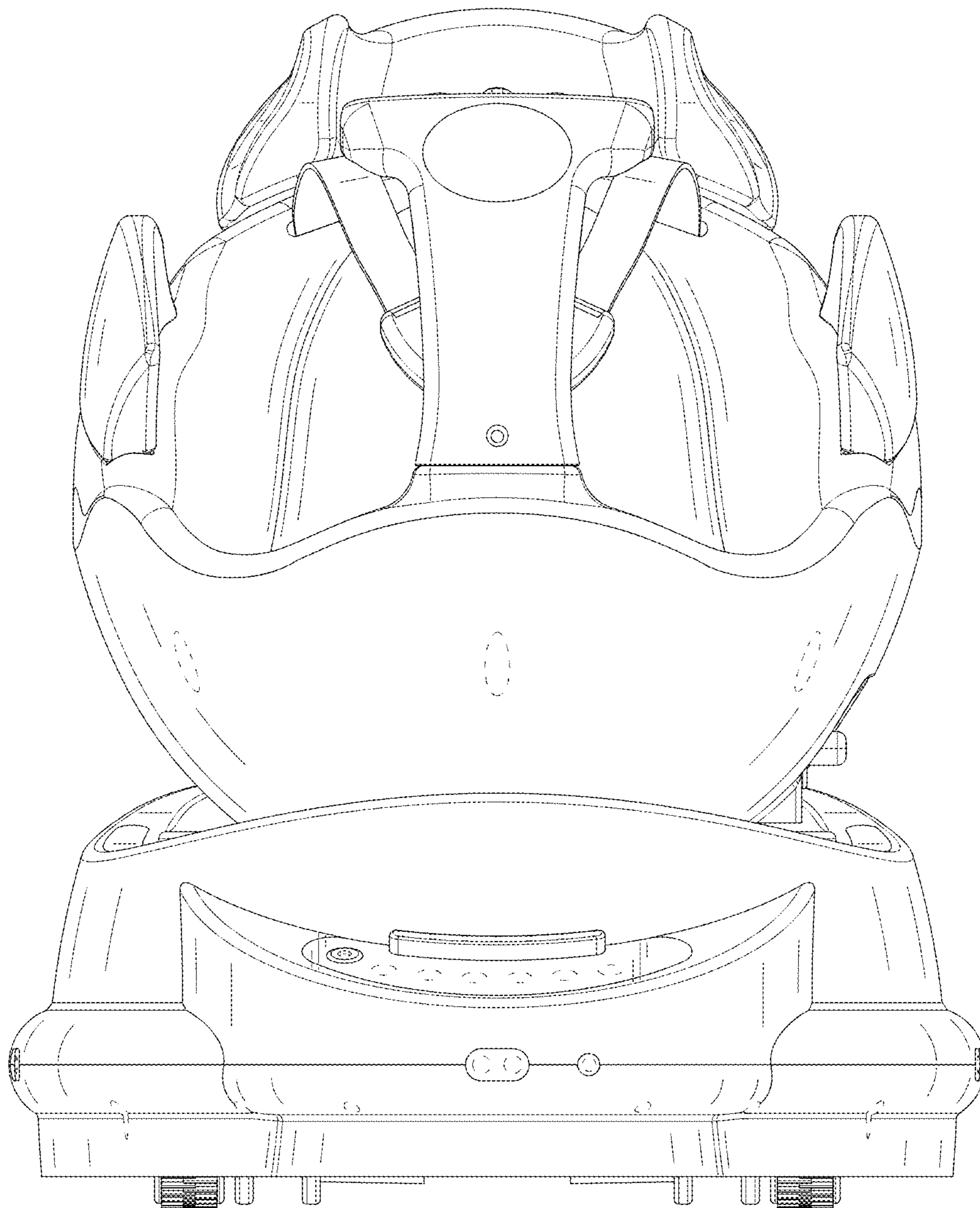


FIG. 3

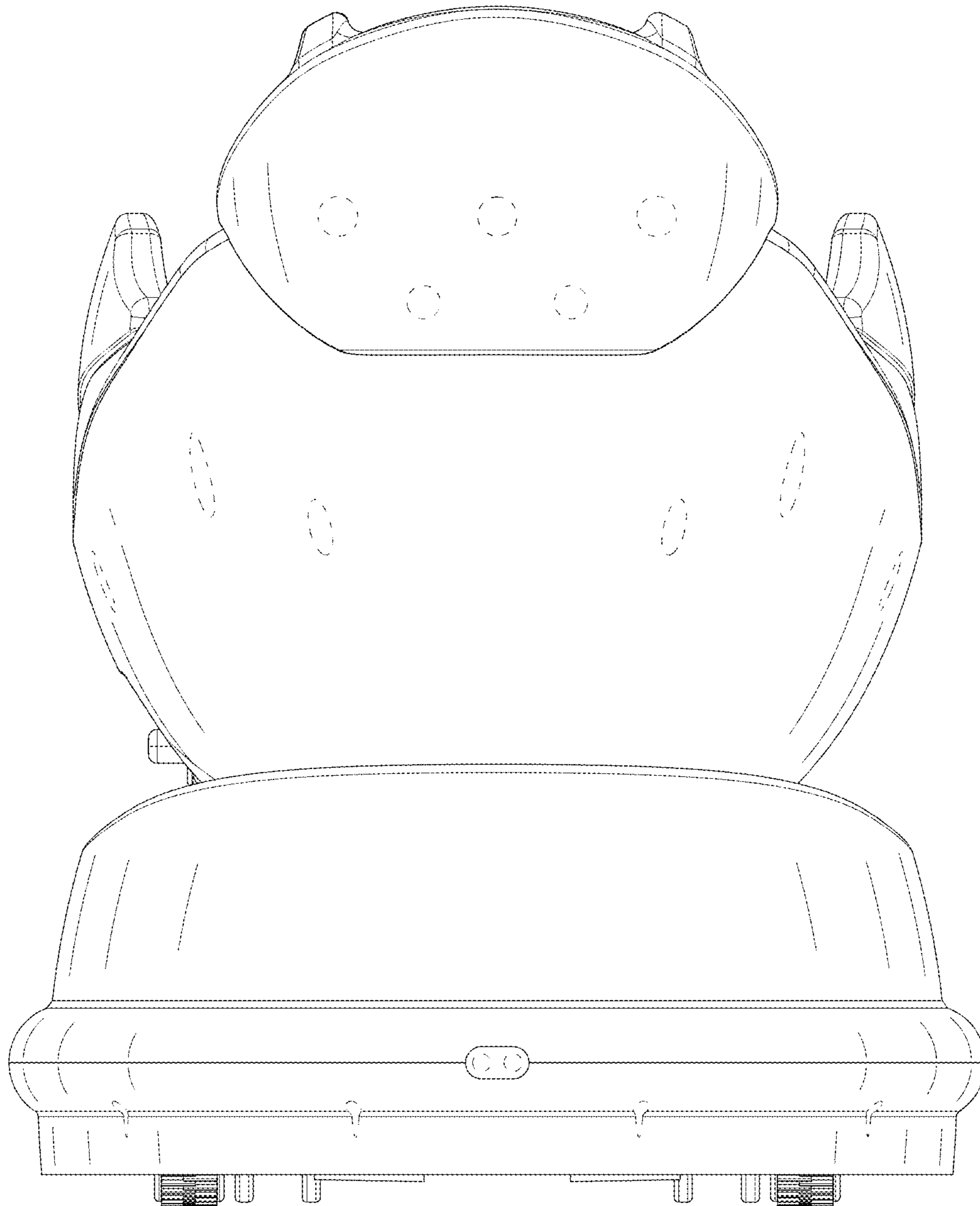


FIG. 4

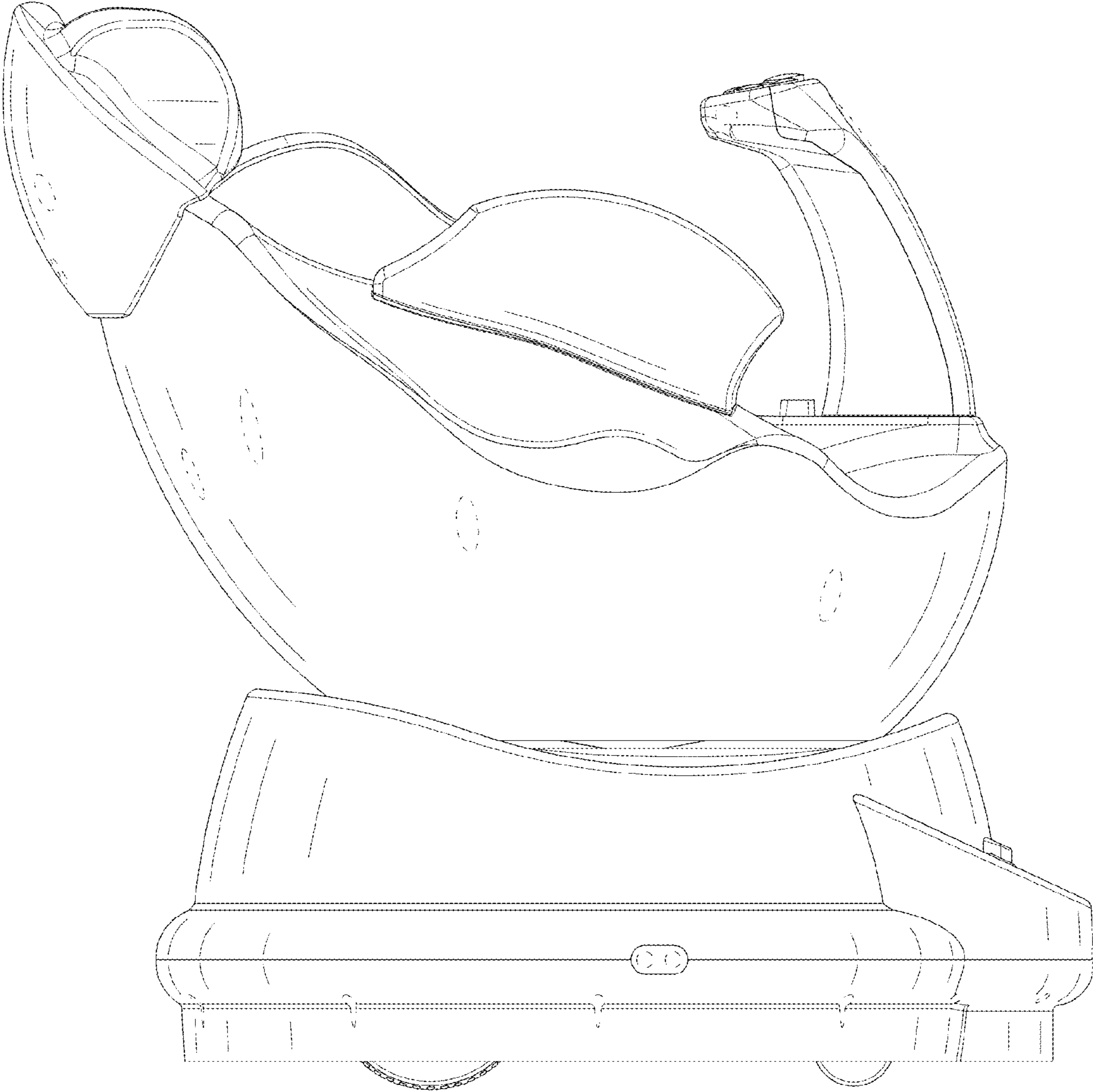


FIG. 5

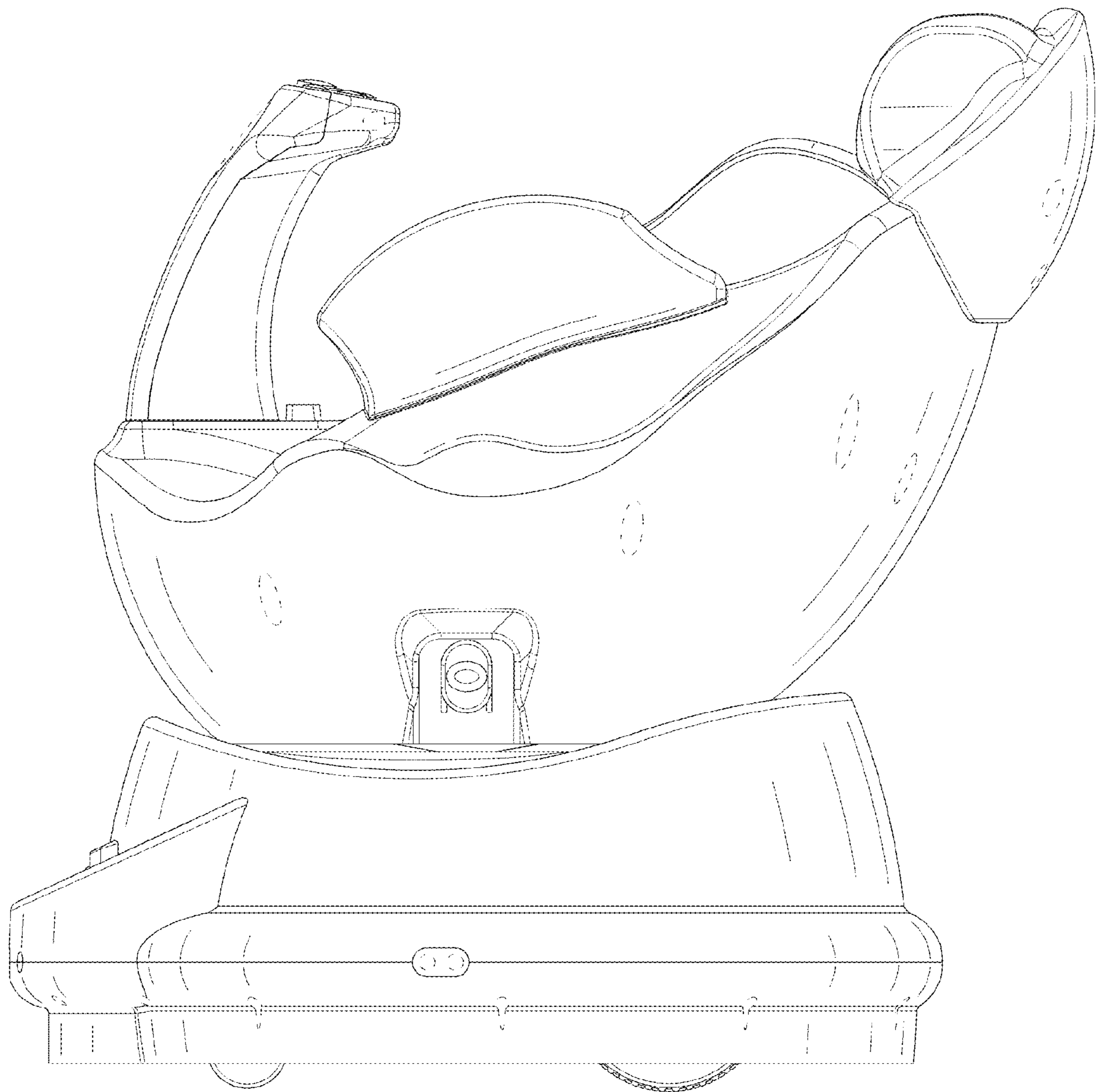


FIG. 6

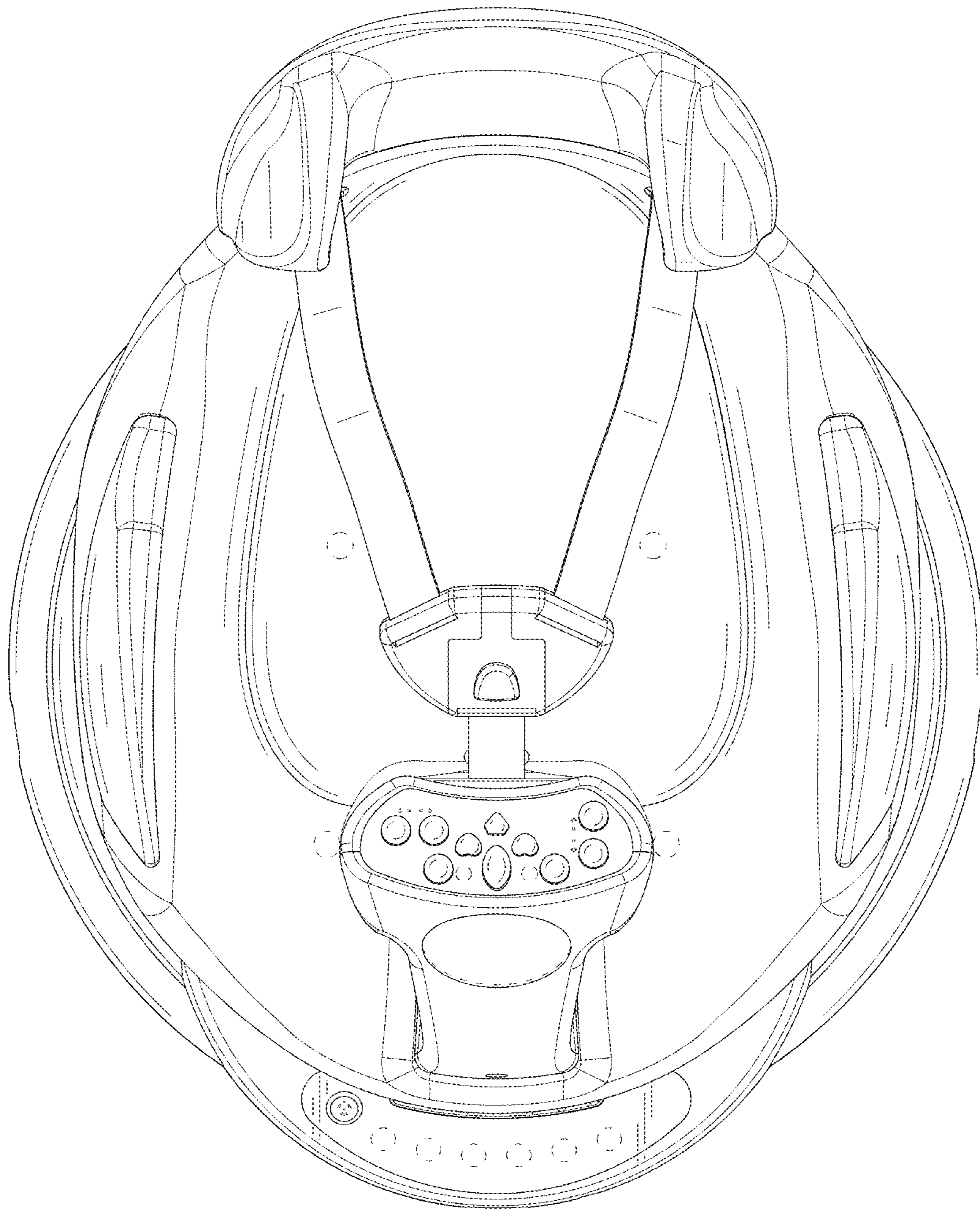


FIG. 7

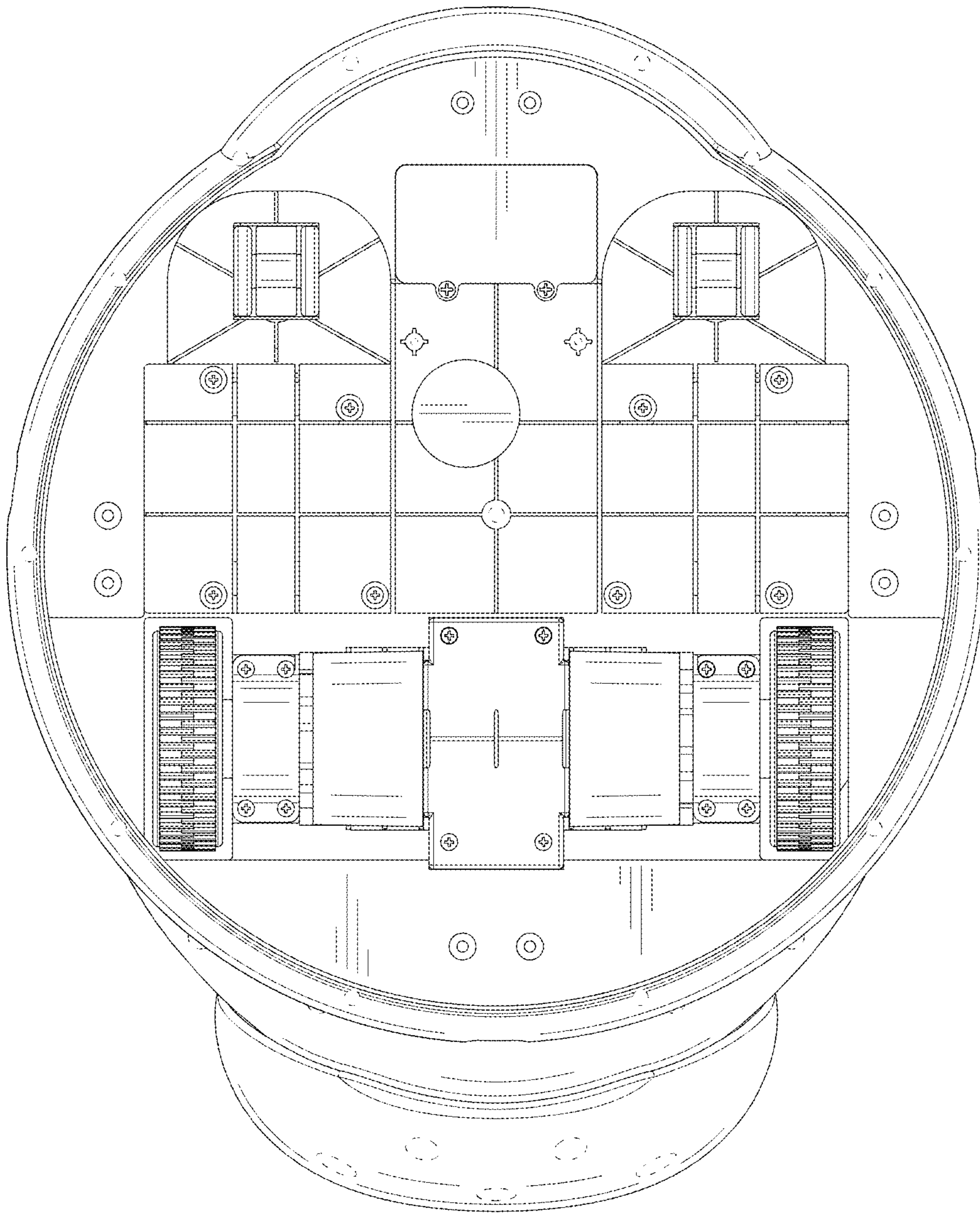


FIG. 8

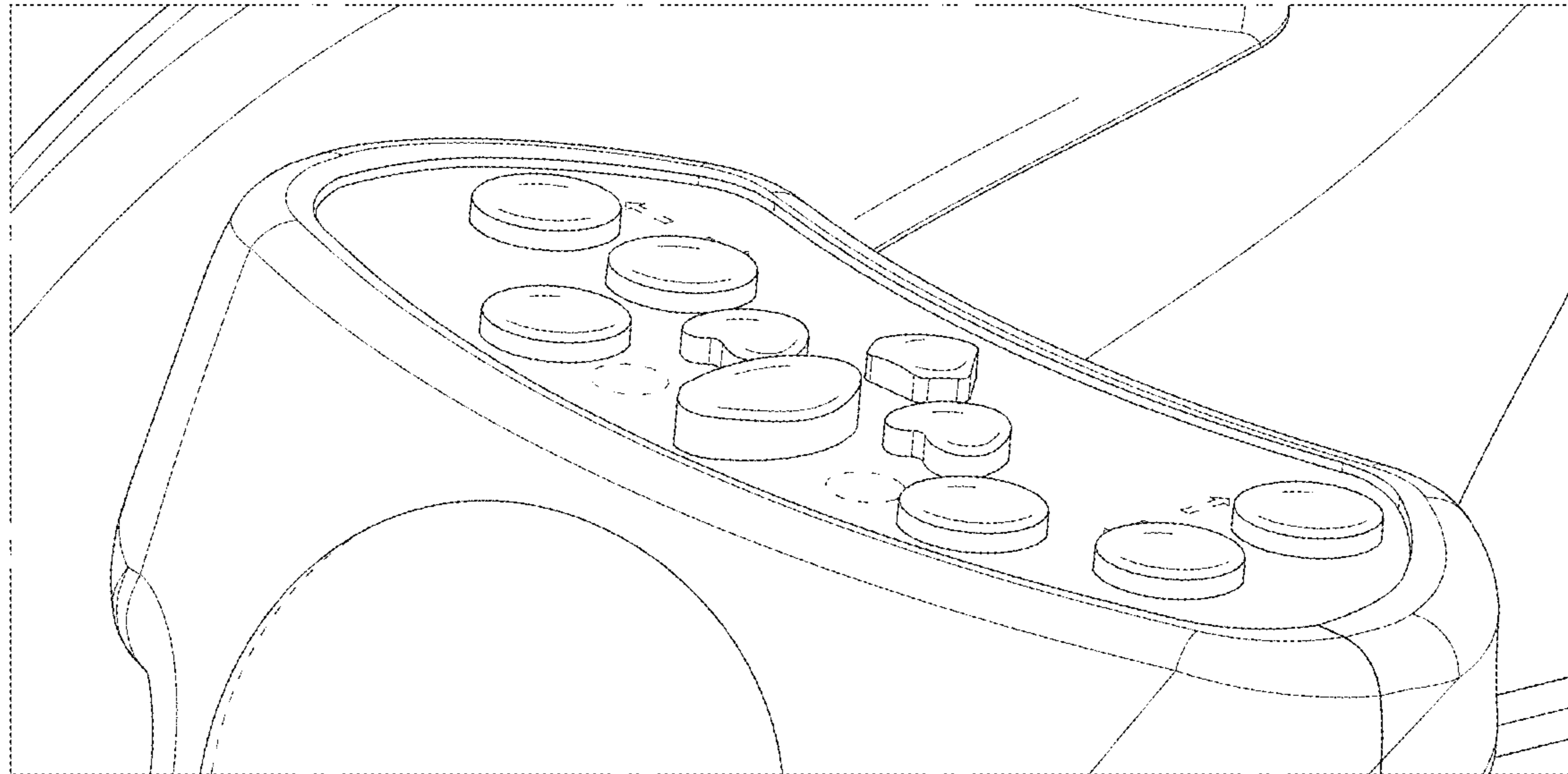


FIG. 9

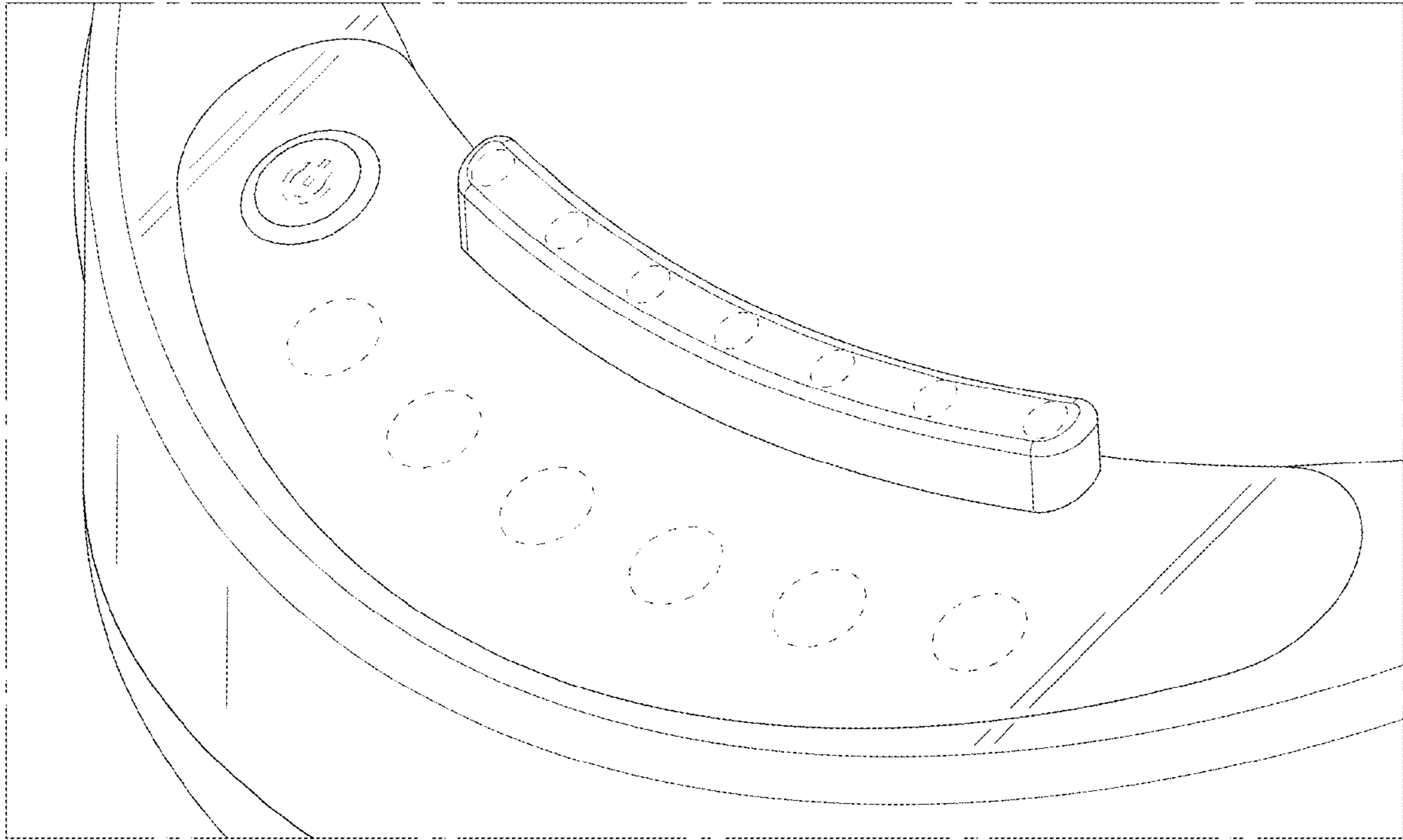


FIG. 10

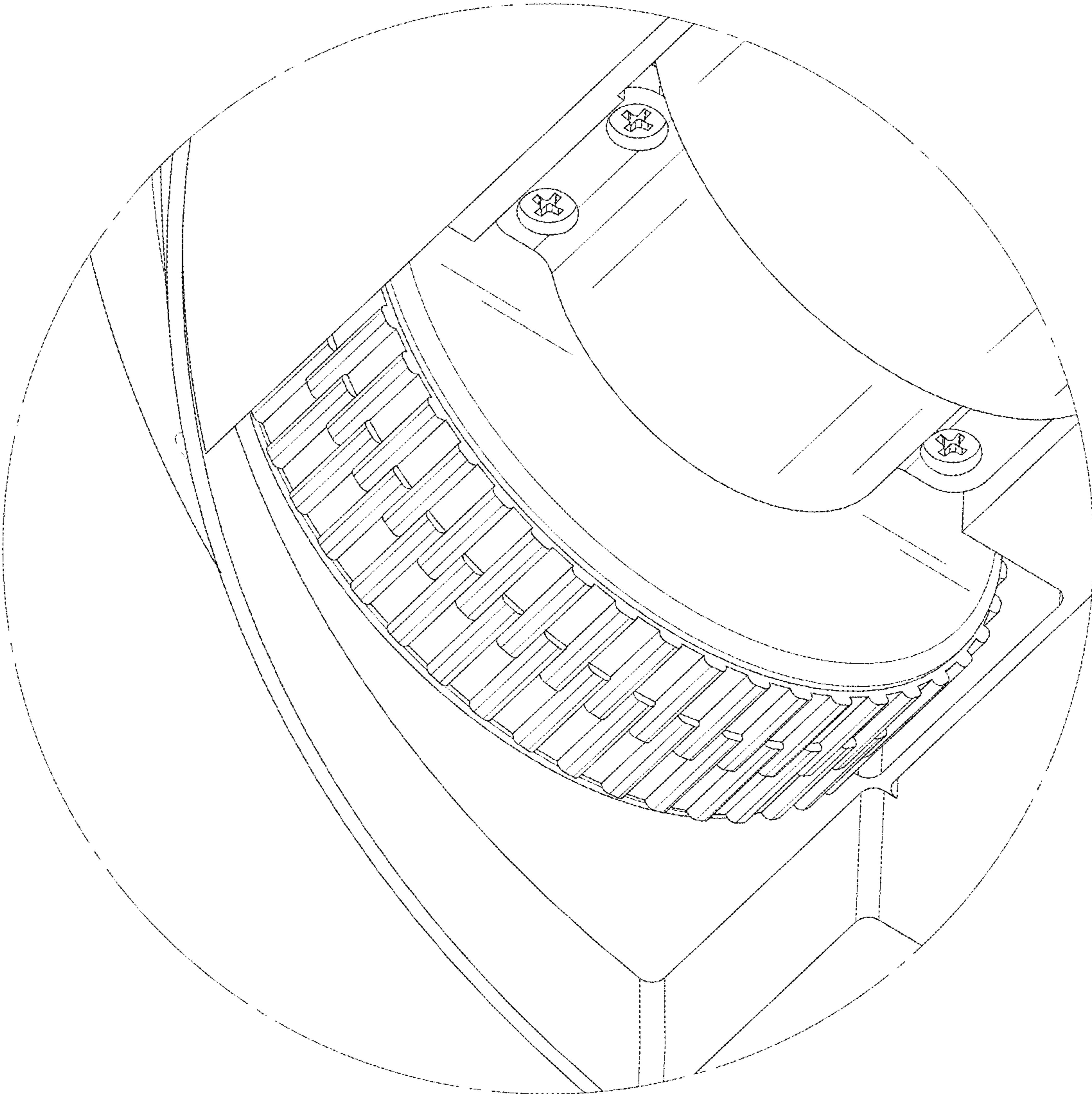


FIG. 11