



US00D975456S

(12) **United States Design Patent** (10) **Patent No.:** **US D975,456 S**  
**Zhou** (45) **Date of Patent:** **\*\* Jan. 17, 2023**

(54) **HEADBAND HOLDER**

(71) Applicant: **Quzhou Cheerbo Jewelry Co., Ltd.,**  
Zhejiang (CN)

(72) Inventor: **Jianfeng Zhou,** Zhejiang (CN)

(\*\*) Term: **15 Years**

(21) Appl. No.: **29/836,484**

(22) Filed: **Apr. 27, 2022**

(51) **LOC (14) Cl.** ..... **06-08**

(52) **U.S. Cl.**  
USPC ..... **D6/326; D6/570; D6/571; D6/328**

(58) **Field of Classification Search**  
USPC ..... D6/315-328, 512-514, 553, 567,  
D6/569-572; D28/73  
CPC ..... A47G 25/18; A47G 25/485; A47G 25/36;  
A47F 5/0006; A47F 7/19  
See application file for complete search history.

(56) **References Cited**

**U.S. PATENT DOCUMENTS**

- 1,421,709 A \* 7/1922 Nelson ..... A47G 25/18  
24/457  
2,672,989 A \* 3/1954 Creveling ..... A47G 25/18  
211/113  
D311,293 S \* 10/1990 Edwards ..... D6/571  
4,966,287 A \* 10/1990 Snyder ..... A47G 25/32  
211/85.2  
D335,602 S \* 5/1993 Magaard ..... D6/567

- D368,375 S \* 4/1996 Canther ..... D6/326  
D433,821 S \* 11/2000 Brutus ..... D6/326  
D607,344 S 1/2010 Ewing  
D917,922 S \* 5/2021 Li ..... D6/570  
2010/0122961 A1\* 5/2010 Moreau ..... A47G 25/16  
211/85.7  
2015/0068993 A1\* 3/2015 Ye ..... A45C 13/123  
211/85.2  
2018/0279774 A1\* 10/2018 Delta ..... A47B 47/0058

\* cited by examiner

*Primary Examiner* — Lauren R Calve

(74) *Attorney, Agent, or Firm* — Che-Yang Chen; Law  
Office of Michael Chen

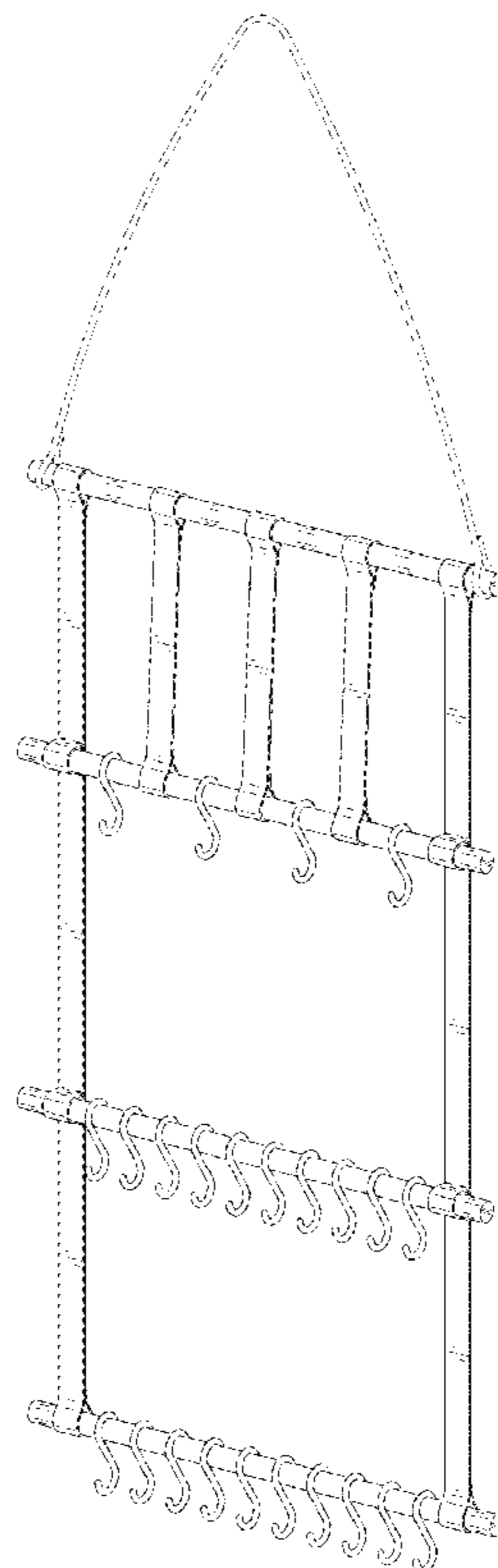
(57) **CLAIM**

The ornamental design for a headband holder, as shown and described.

**DESCRIPTION**

FIG. 1 is a perspective view of the headband holder showing my new design;  
 FIG. 2 is a front elevational view thereof;  
 FIG. 3 is a rear elevational view thereof;  
 FIG. 4 is a left side elevational view thereof;  
 FIG. 5 is a right side elevational view thereof;  
 FIG. 6 is a top plan view thereof; and,  
 FIG. 7 is a bottom plan view thereof.  
 The broken lines shown in the drawings are included for the purpose of illustrating portions of the headband holder that form no part of the claimed design.

**1 Claim, 7 Drawing Sheets**



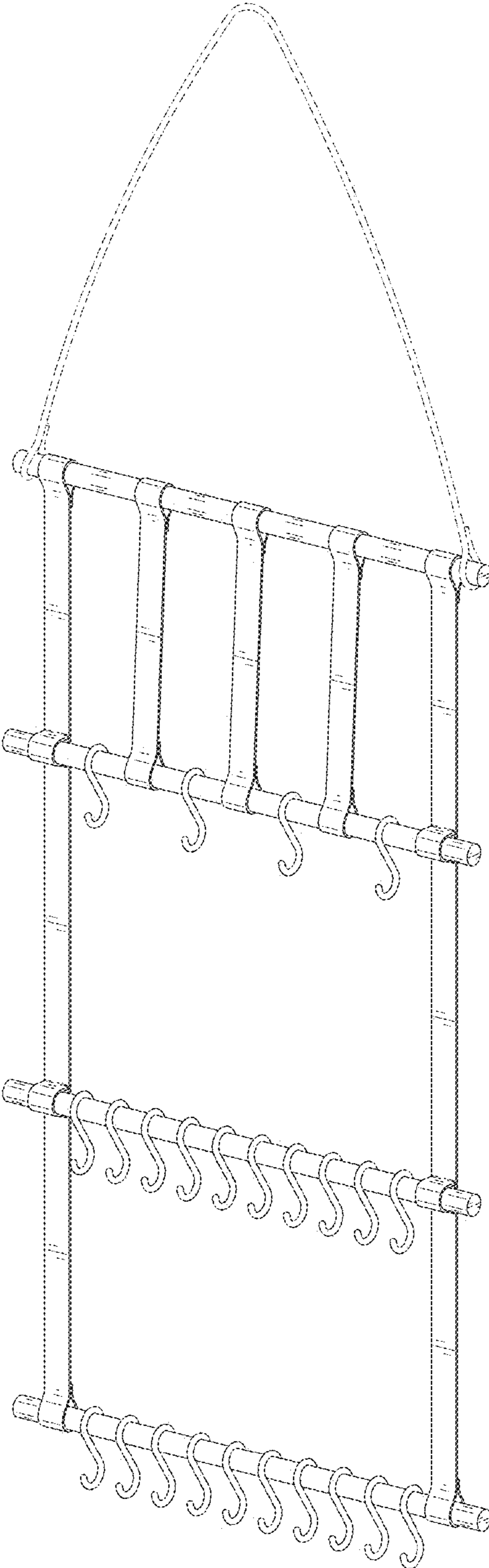


FIG. 1

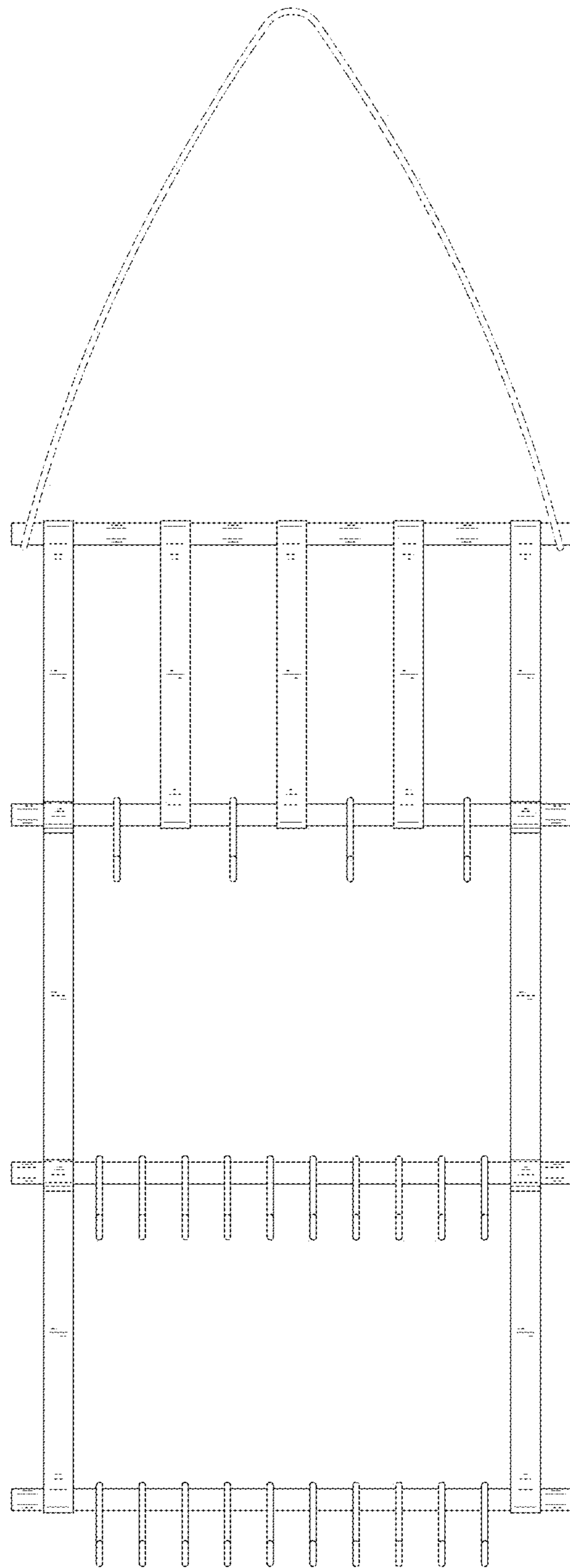


FIG. 2

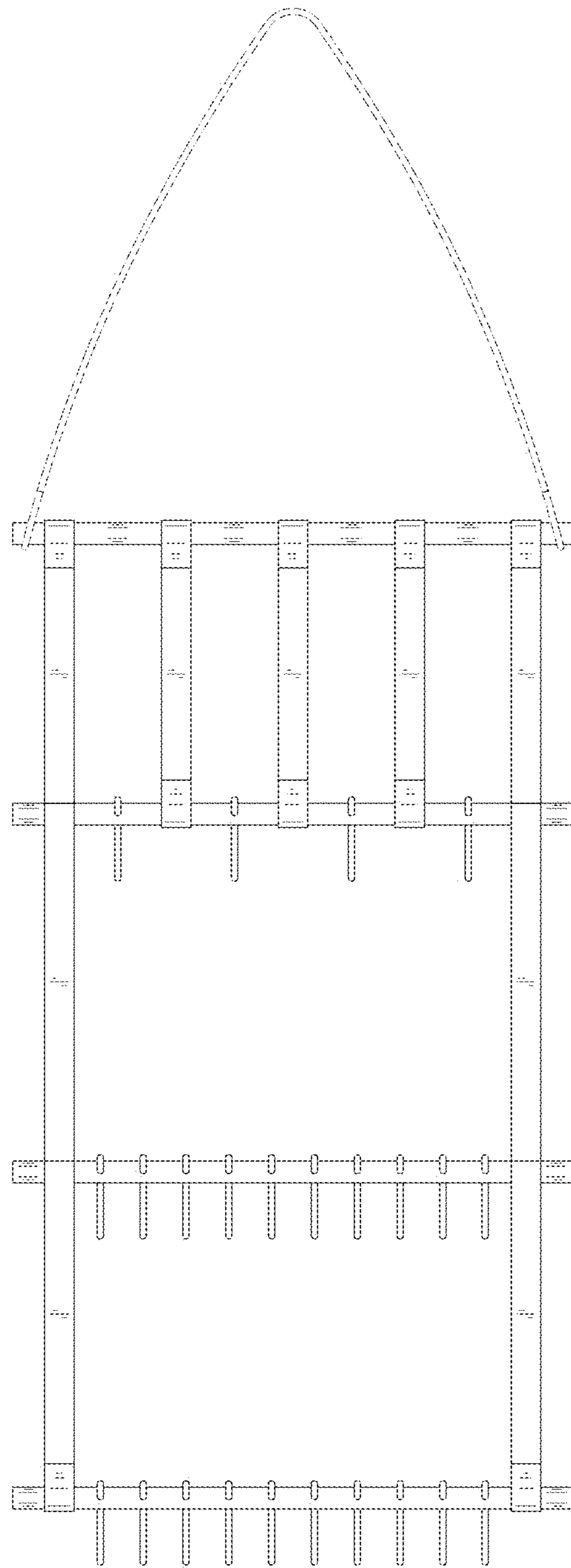


FIG. 3



FIG. 4

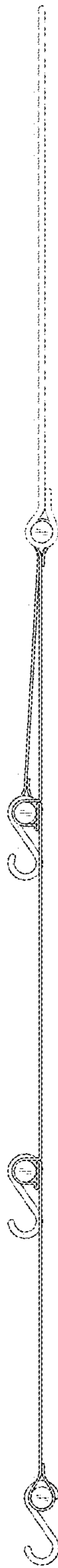


FIG. 5

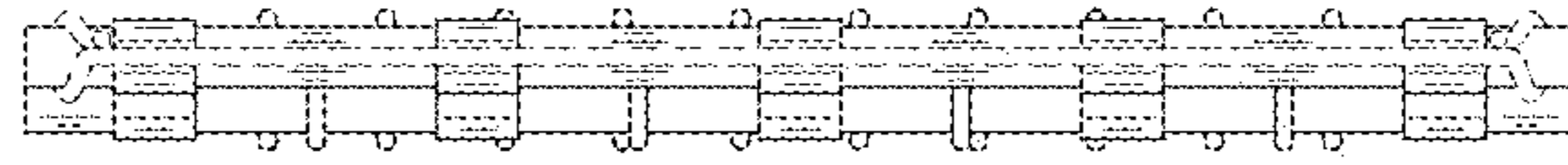


FIG. 6

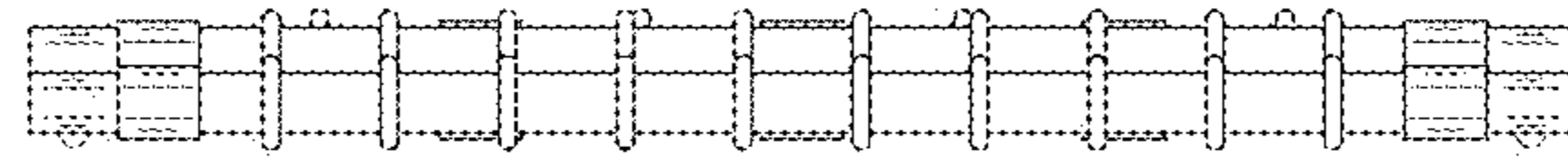


FIG. 7