



US00D975455S

(12) **United States Design Patent**
Zhi

(10) **Patent No.:** **US D975,455 S**

(45) **Date of Patent:** **** Jan. 17, 2023**

(54) **COAT HOOK**

(71) Applicant: **Xucan Zhi**, Guangdong (CN)

(72) Inventor: **Xucan Zhi**, Guangdong (CN)

(**) Term: **15 Years**

(21) Appl. No.: **29/803,301**

(22) Filed: **Aug. 12, 2021**

(51) **LOC (14) Cl.** **06-08**

(52) **U.S. Cl.**
USPC **D6/323**; D8/367

(58) **Field of Classification Search**
USPC D6/315–328; D8/367, 370, 371, 372,
D8/373, 380
CPC A47G 25/32; A47G 25/28; A47G 25/743;
A47G 25/746; A47G 29/083; A47G
25/06; A47G 25/0607; A47G 25/10;
A47G 25/38; A47G 29/08; A47G 1/17;
A47G 7/044; A47G 29/00
See application file for complete search history.

(56) **References Cited**

U.S. PATENT DOCUMENTS

928,717 A * 7/1909 Vance A47G 29/083
248/304
1,491,203 A * 4/1924 Enoch A47G 25/0607
248/217.4

1,533,661 A * 4/1925 Remillong A47G 25/0607
108/45
D355,842 S * 2/1995 Goodman D8/372
D516,823 S * 3/2006 Goodman D6/323
D542,038 S * 5/2007 Tau D6/323
D608,100 S * 1/2010 Yoo D6/323
9,560,927 B2 * 2/2017 Krumpe A47G 25/0607
D845,747 S * 4/2019 Kuniyoshi D8/372
11,399,879 B2 * 8/2022 Wiederkehr A61B 17/808
2007/0114349 A1 * 5/2007 Lawson A47G 25/0607
248/304

* cited by examiner

Primary Examiner — Lauren R Calve

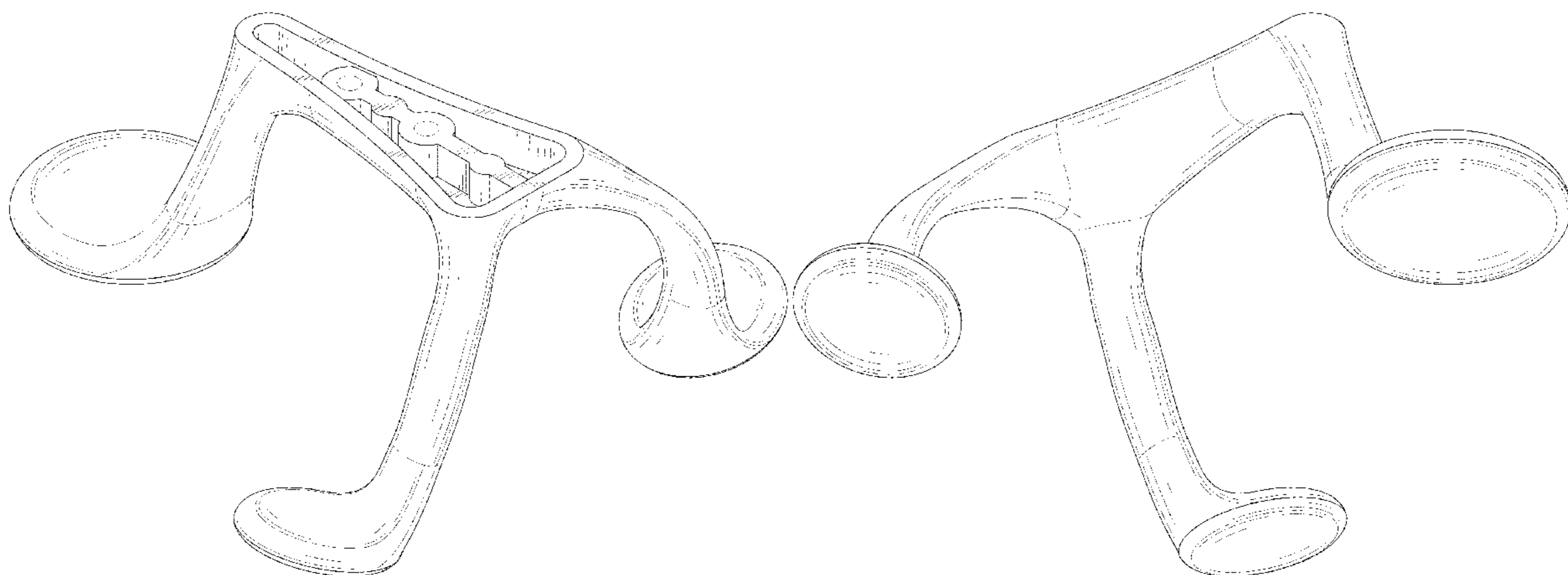
(57) **CLAIM**

The ornamental design for a coat hook, as shown and described.

DESCRIPTION

FIG. 1 is a front and top perspective view of a coat hook, showing my new design;
FIG. 2 is a rear and bottom perspective view thereof;
FIG. 3 is a front elevation view thereof;
FIG. 4 is a rear elevation view thereof;
FIG. 5 is a left side elevation view thereof;
FIG. 6 is a right side elevation view thereof;
FIG. 7 is a top plan view thereof; and,
FIG. 8 is a bottom plan view thereof.
The broken lines in the figures illustrate portions of the coat hook that form no part of the claimed design.

1 Claim, 8 Drawing Sheets



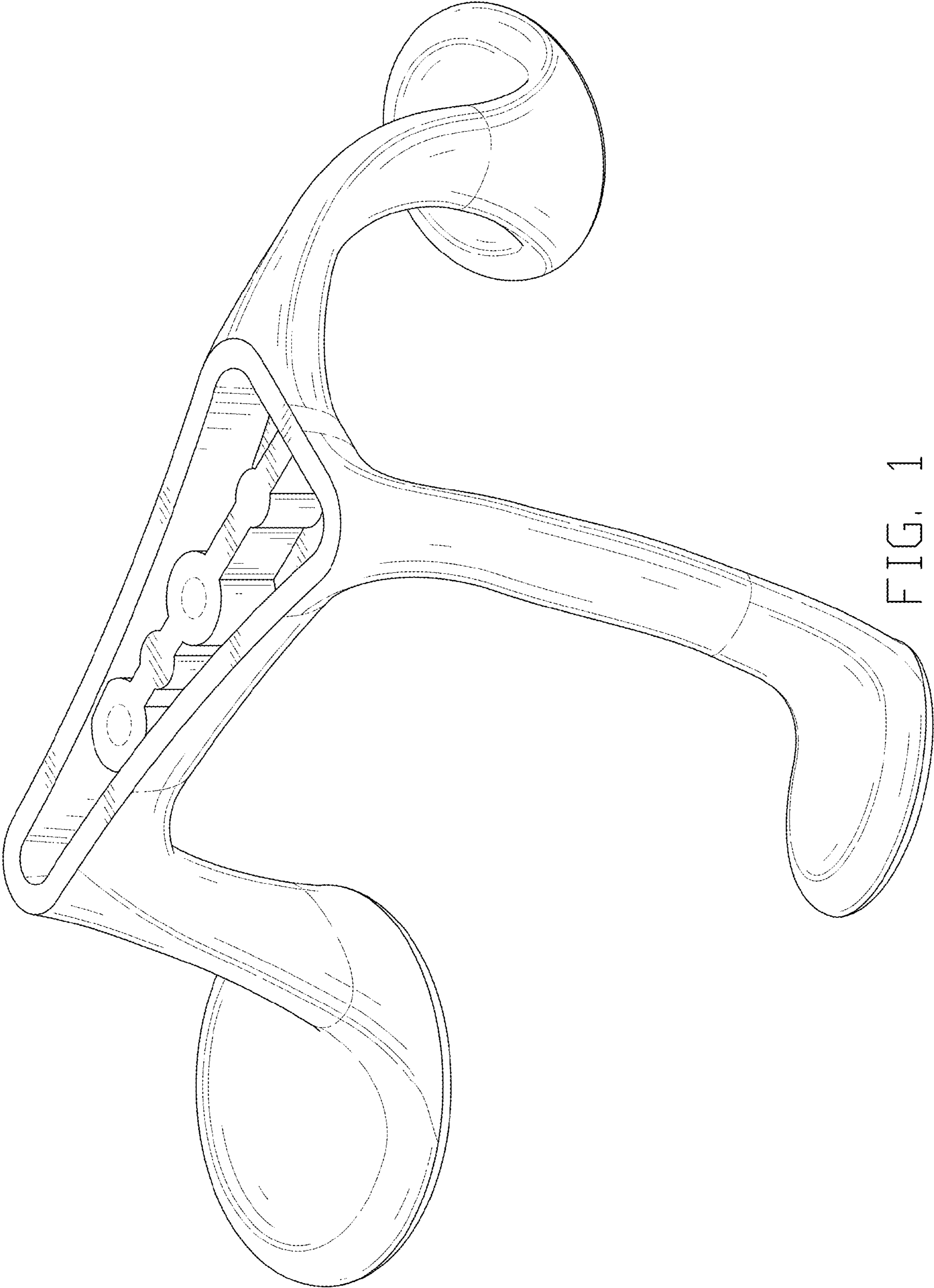


FIG. 1

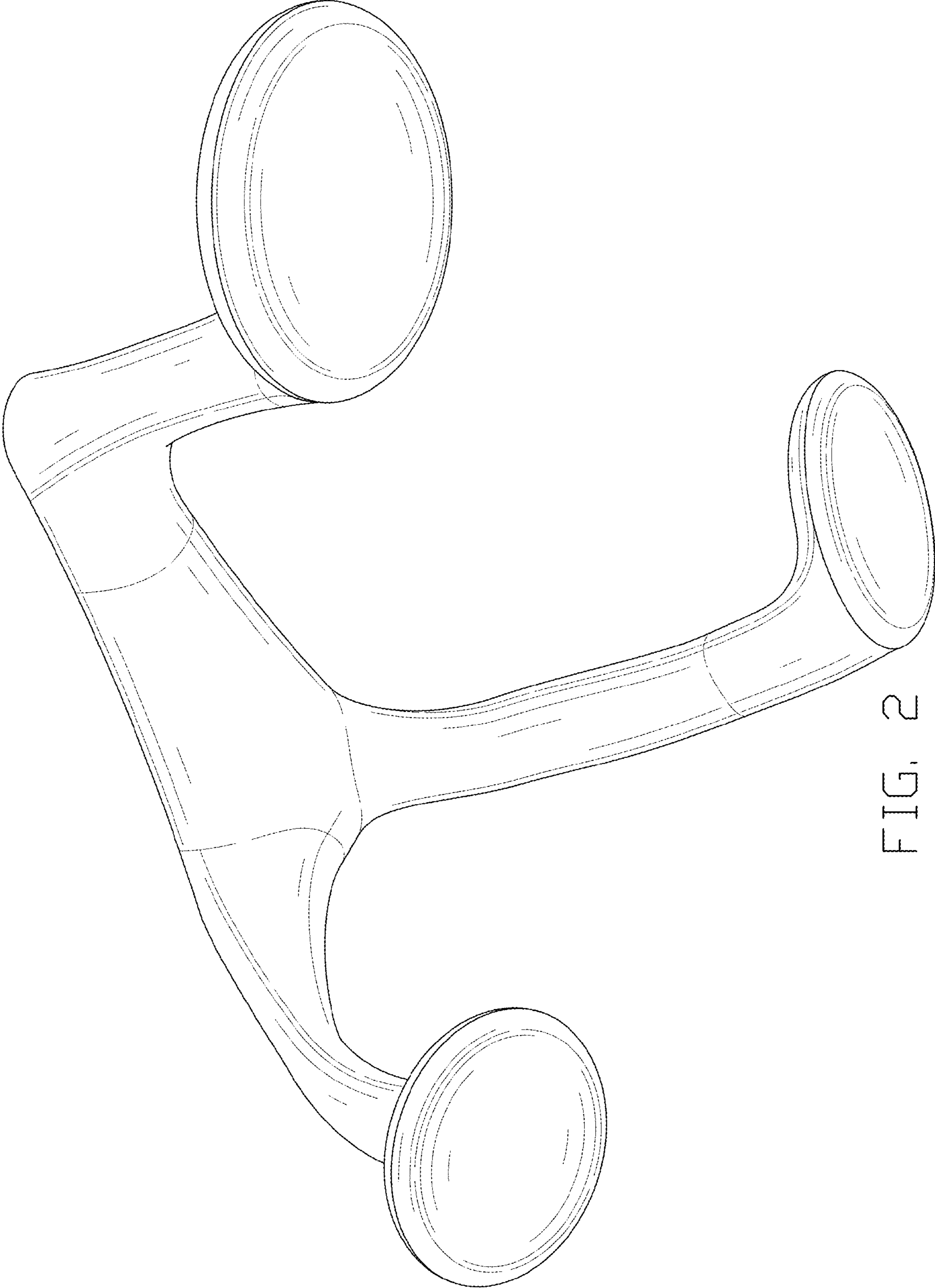


FIG. 2

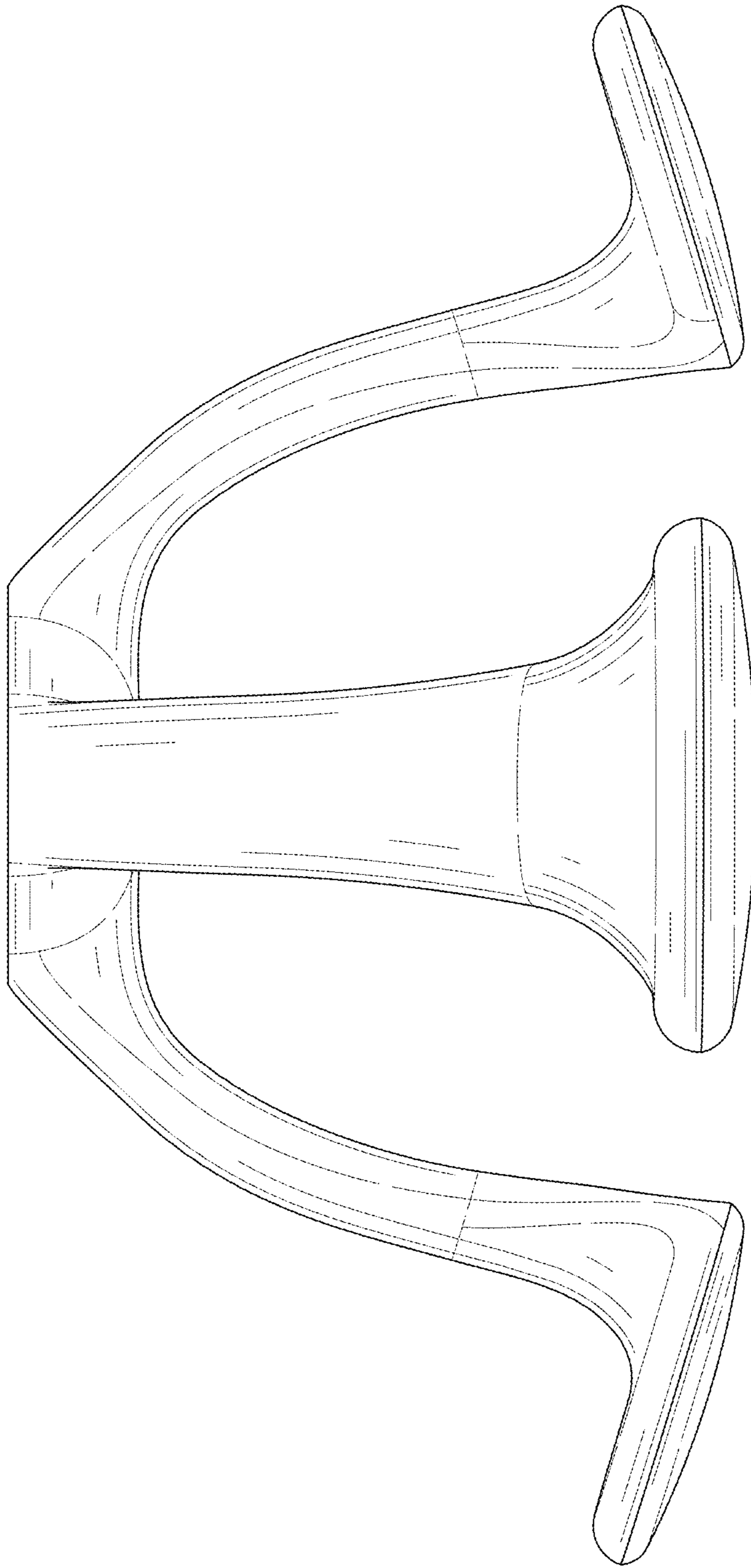


FIG. 3

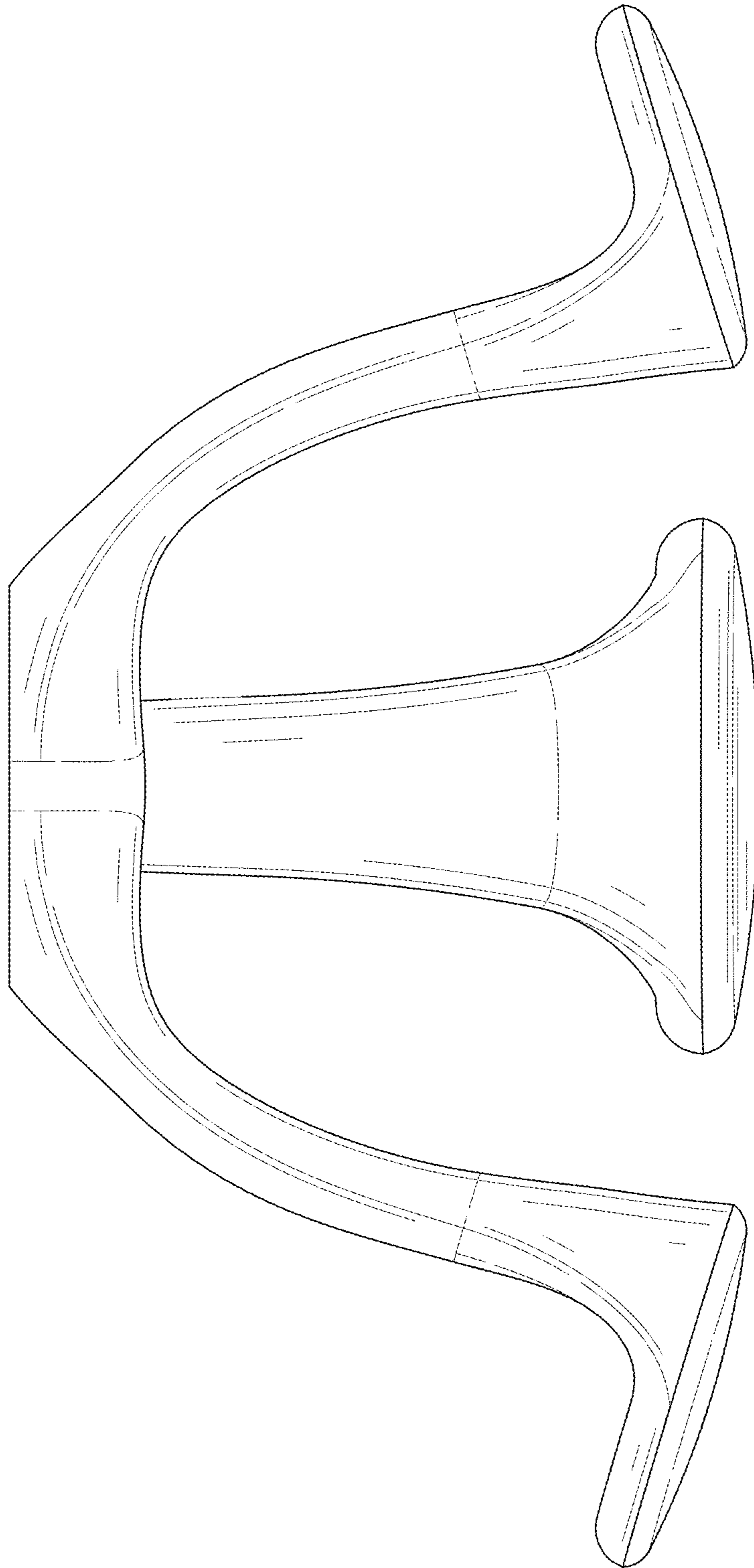


FIG. 4

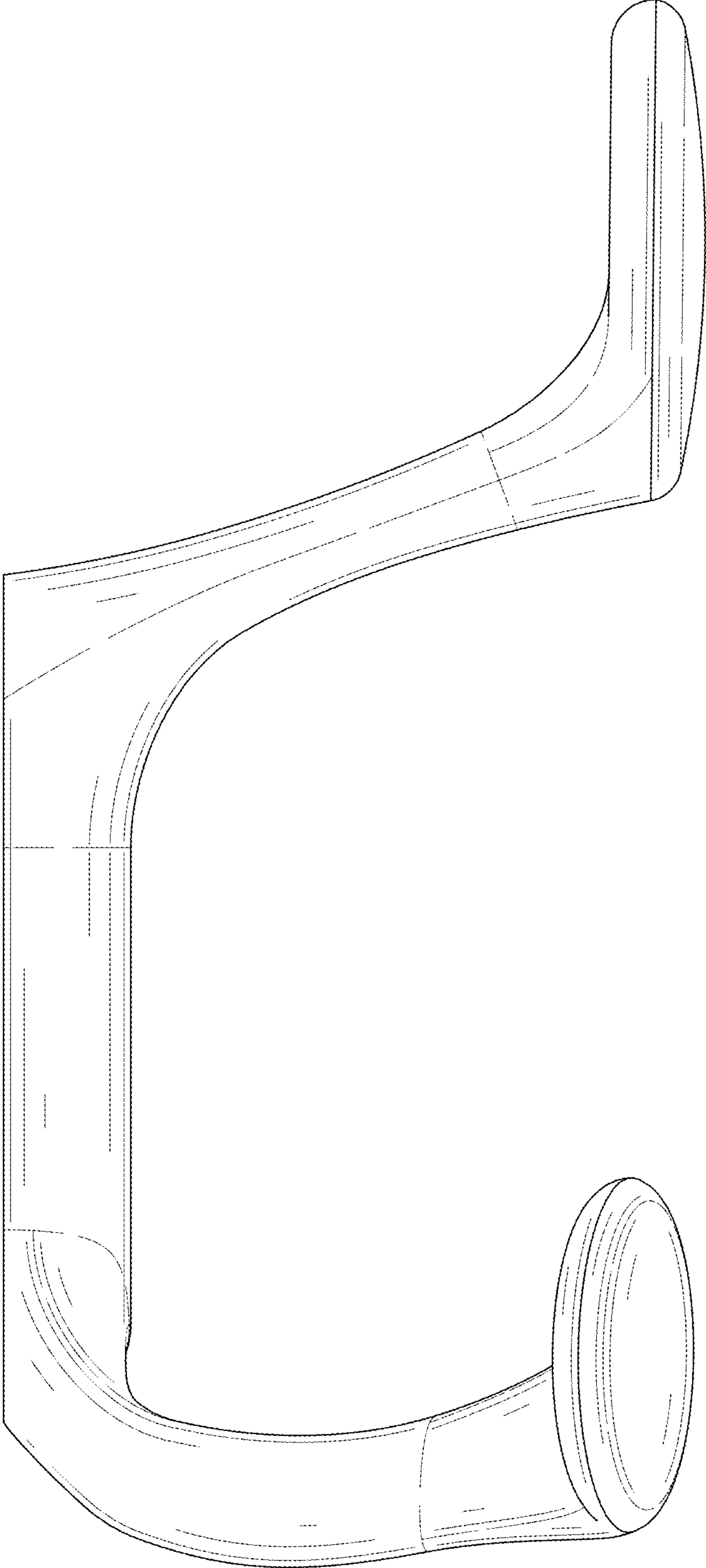


FIG. 5

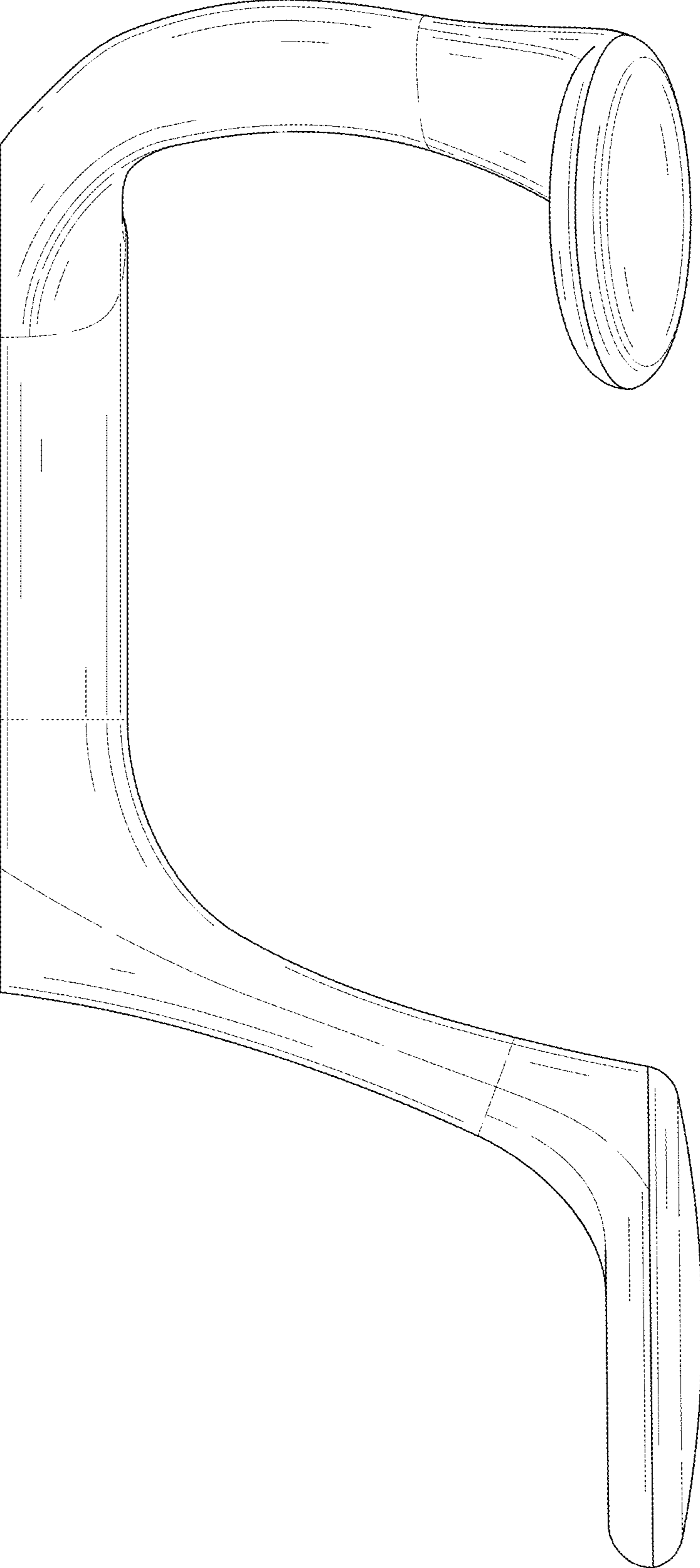


FIG. 6

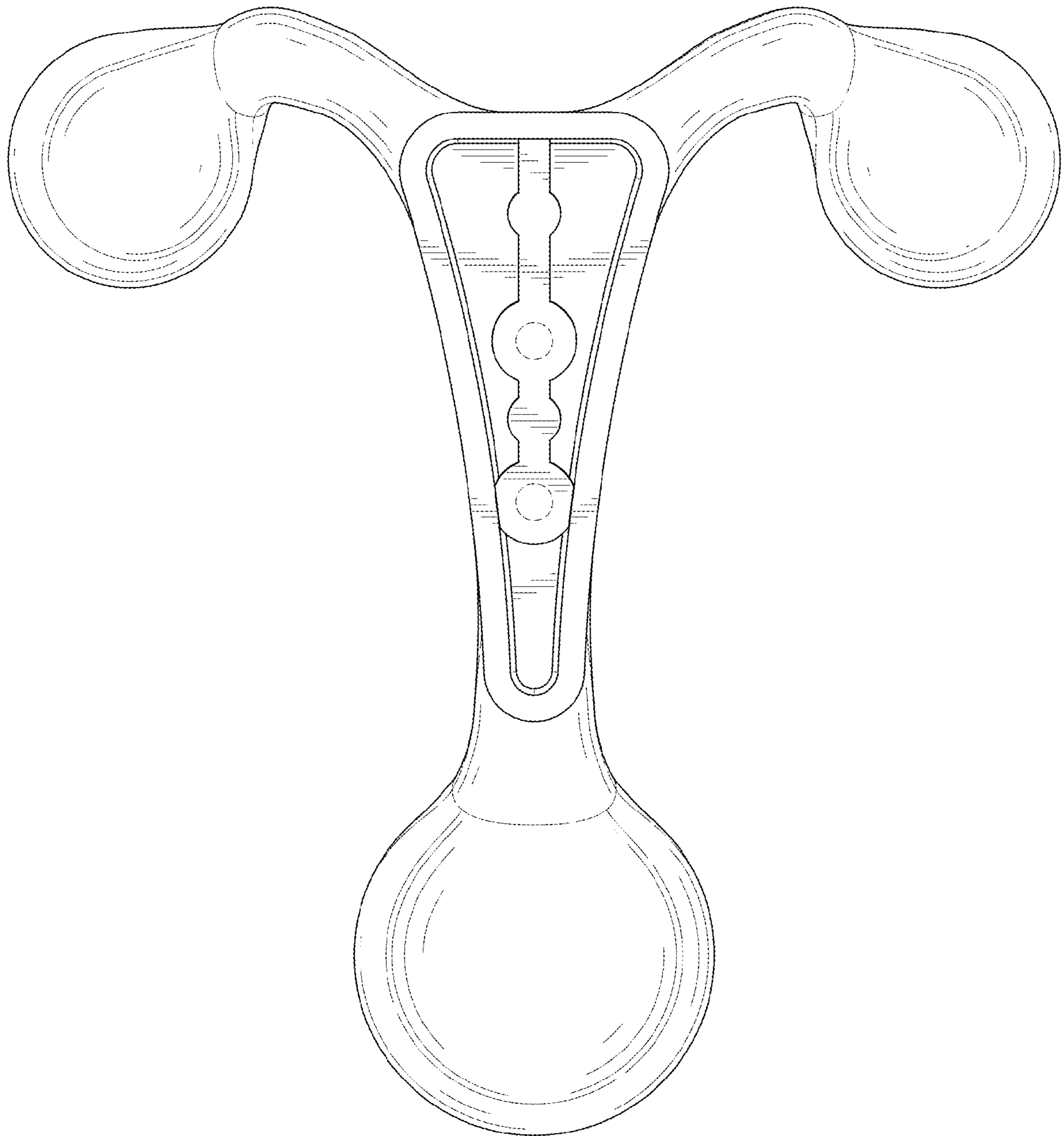


FIG. 7

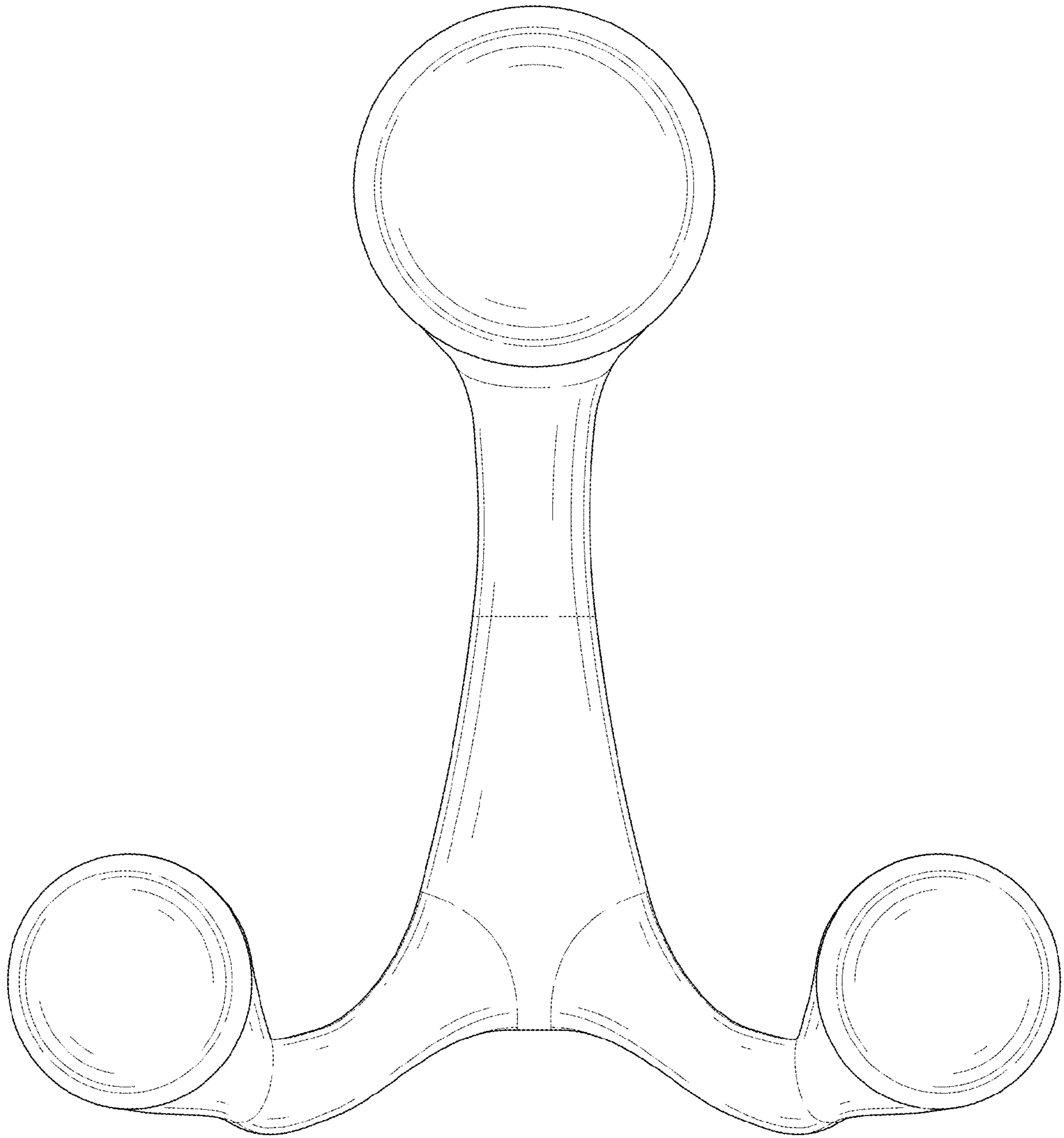


FIG. 8