



US00D975454S

(12) **United States Design Patent**  
**Yang et al.**

(10) **Patent No.:** **US D975,454 S**

(45) **Date of Patent:** **\*\* Jan. 17, 2023**

- (54) **MAKEUP MIRROR**
- (71) Applicant: **DONGGUAN POWERME PLASTIC MFG. CO., LTD.**, Dongguan (CN)
- (72) Inventors: **Guoxiang Yang**, Dongguan (CN);  
**Guowei Yang**, Dongguan (CN)
- (73) Assignee: **DONGGUAN POWERME PLASTIC MFG. CO., LTD.**, Dongguan (CN)
- (\*) Notice: Patent file contains an affidavit/declaration under 37 CFR 1.130(b).
- (\*\*) Term: **15 Years**
- (21) Appl. No.: **29/791,365**
- (22) Filed: **Jan. 10, 2022**
- (51) **LOC (14) Cl.** ..... **28-03**
- (52) **U.S. Cl.**  
USPC ..... **D6/309; D28/64.6**
- (58) **Field of Classification Search**  
USPC ..... D6/300–314; D28/64.1–64.7  
CPC .... A47G 1/00; A47G 2001/002; A45D 42/10;  
F21V 33/004  
See application file for complete search history.

- D812,384 S 3/2018 Zhu
- D879,481 S \* 3/2020 Yang ..... D6/309
- D880,171 S 4/2020 Yang
- D897,695 S \* 10/2020 Yang ..... D6/309
- D935,791 S \* 11/2021 Li ..... D6/309

**OTHER PUBLICATIONS**

“Travel Makeup Mirror Folding Travel Mirror with Light Led Mirror Makeup Rechargeable 4 Levels Brightness Adjustment 180° Rotation Cosmetic Mirror for Makeup Bedroom Travel” product listing, Amazon.com. Listed as first available on Nov. 30, 2021. Retrieved on Sep. 30, 2022 from <https://a.co/d/4Wwm8B5> (Year: 2021).\*

\* cited by examiner

*Primary Examiner* — Deanna L Pratt

(57) **CLAIM**

The ornamental design for a makeup mirror, as shown and described.

**DESCRIPTION**

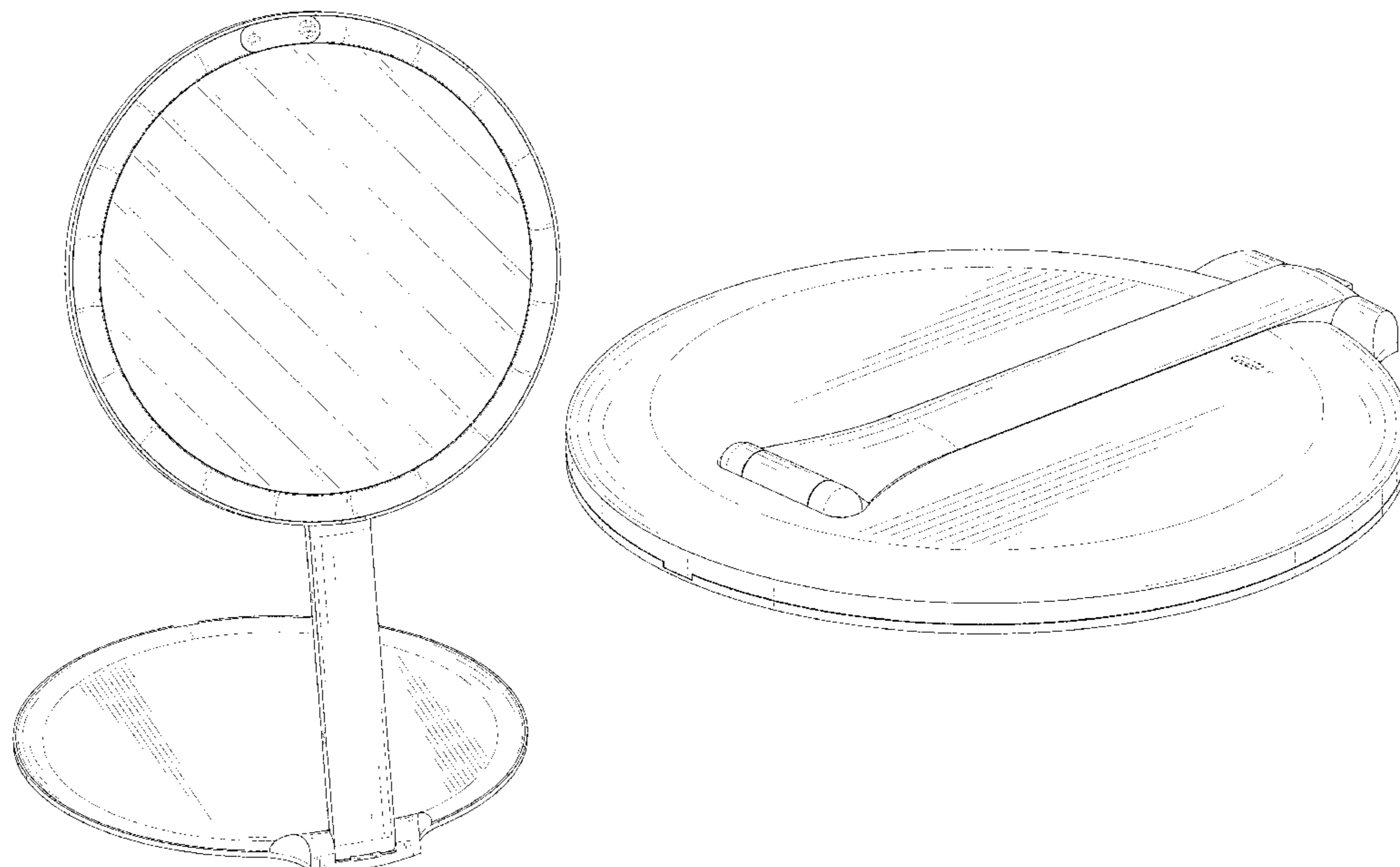
FIG. 1 is a perspective view of a makeup mirror showing our new design;  
FIG. 2 is another perspective view thereof;  
FIG. 3 is a front elevational view thereof;  
FIG. 4 is a rear elevational view thereof;  
FIG. 5 is a left side elevational view thereof;  
FIG. 6 is a right side elevational view thereof;  
FIG. 7 is a top plan view thereof;  
FIG. 8 is a bottom plan view thereof;  
FIG. 9 is a perspective view of the makeup mirror where the makeup mirror is in a configuration of use; and,  
FIG. 10 is a perspective view of the makeup mirror where the makeup mirror is in a folded state.  
The broken lines in the drawings depict portions of the makeup mirror that form no part of the claimed design.

**1 Claim, 10 Drawing Sheets**

(56) **References Cited**

**U.S. PATENT DOCUMENTS**

- 6,206,530 B1 \* 3/2001 Eberts ..... A45D 42/08  
359/881
- D442,371 S \* 5/2001 Eberts ..... D6/309
- D454,701 S \* 3/2002 Eric ..... D6/309
- D470,665 S \* 2/2003 Harris ..... D6/312
- D546,564 S \* 7/2007 Lo ..... D6/300
- D549,968 S \* 9/2007 Pitot ..... D6/312
- D589,267 S \* 3/2009 Pitot ..... D6/308
- D801,060 S \* 10/2017 Hollinger ..... D6/309



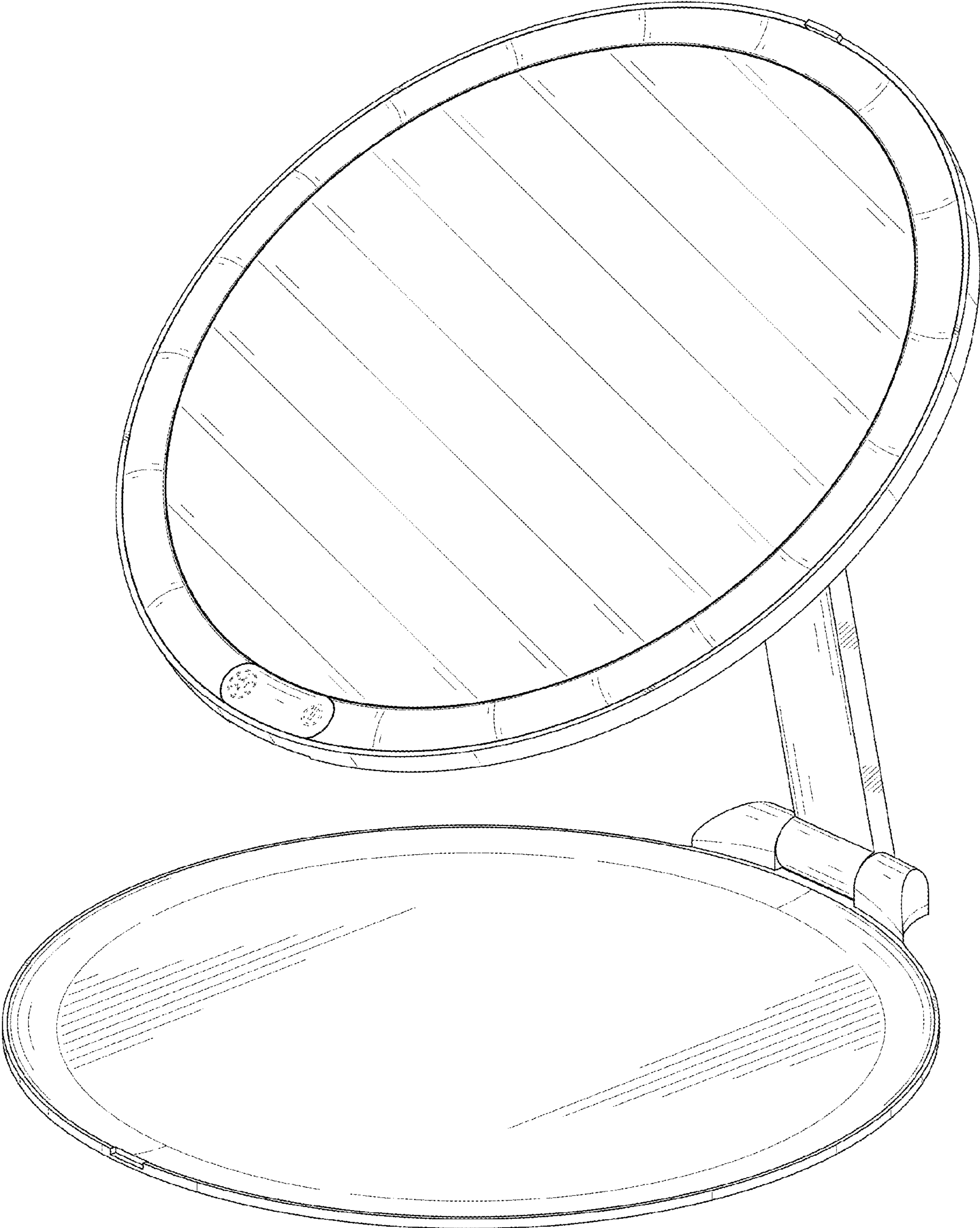


FIG. 1

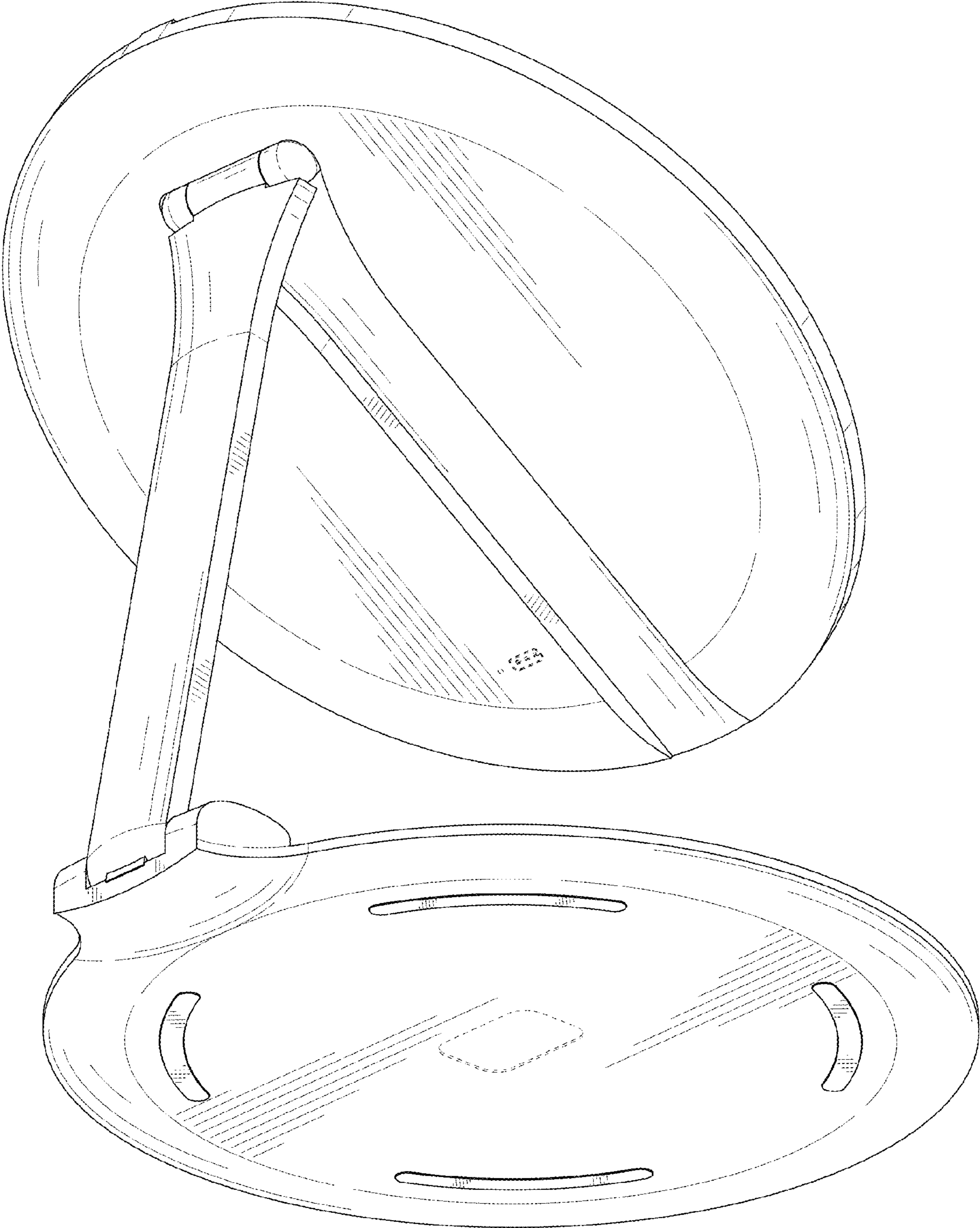


FIG. 2

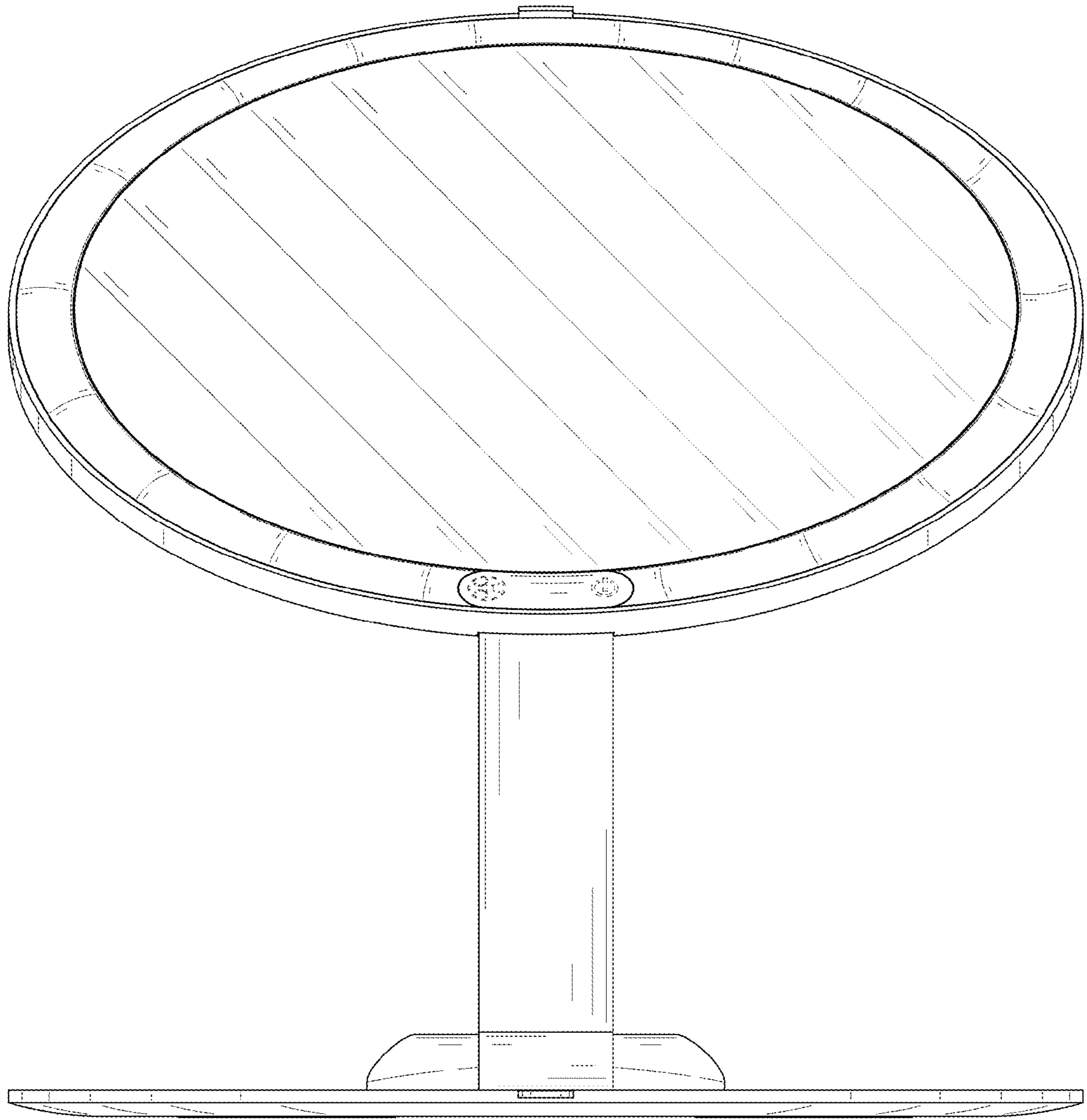


FIG. 3

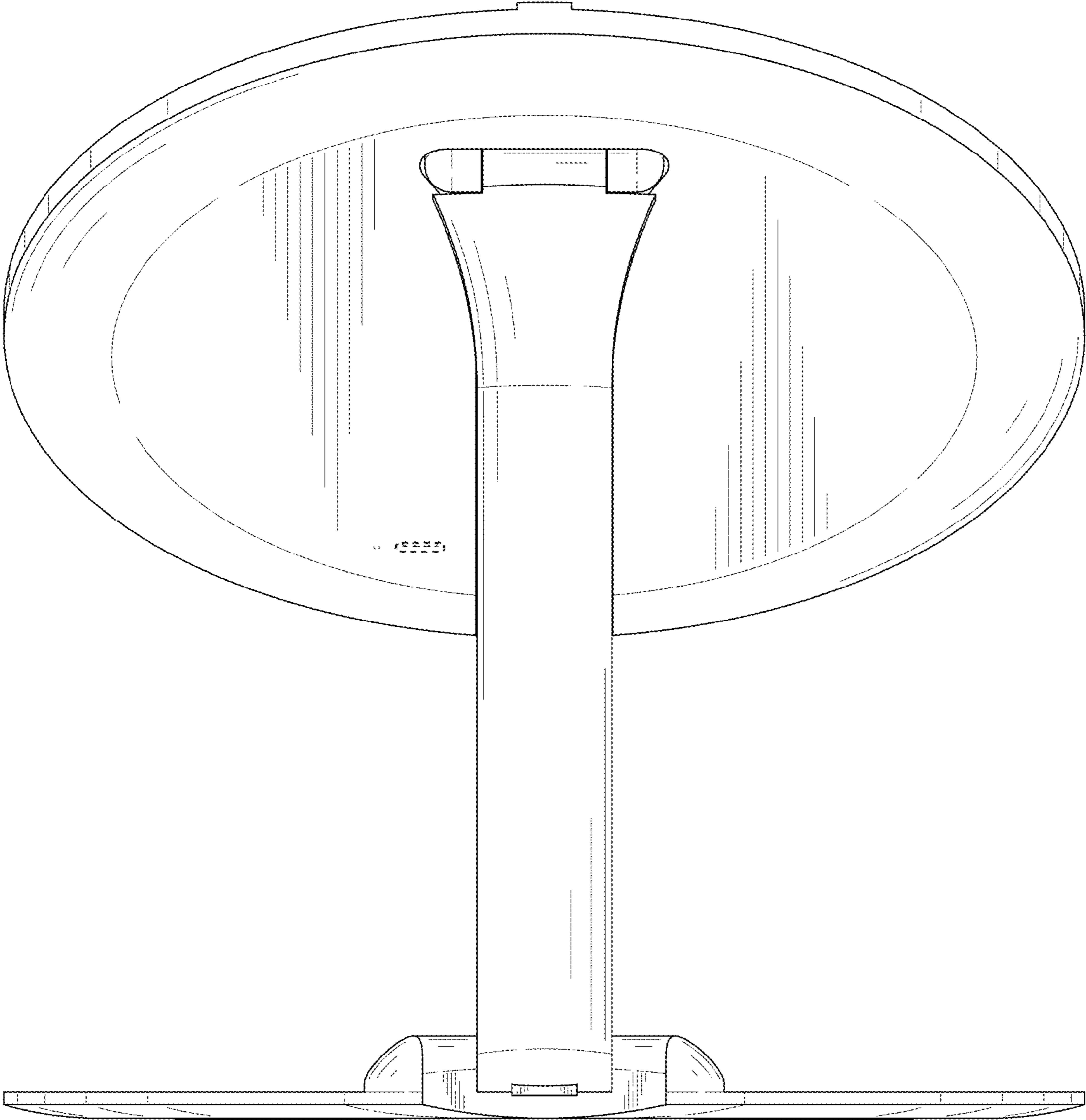


FIG. 4

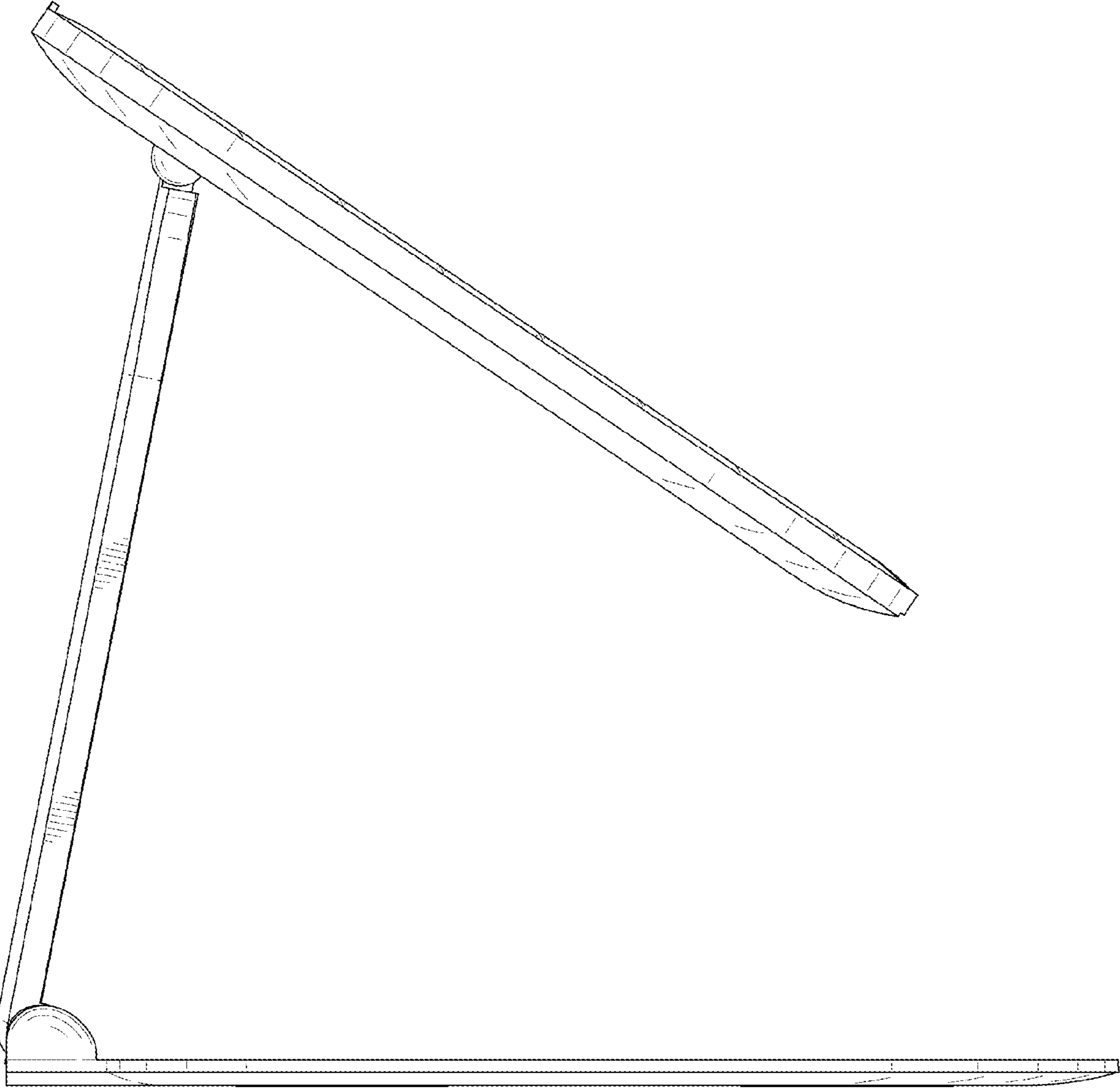


FIG. 5

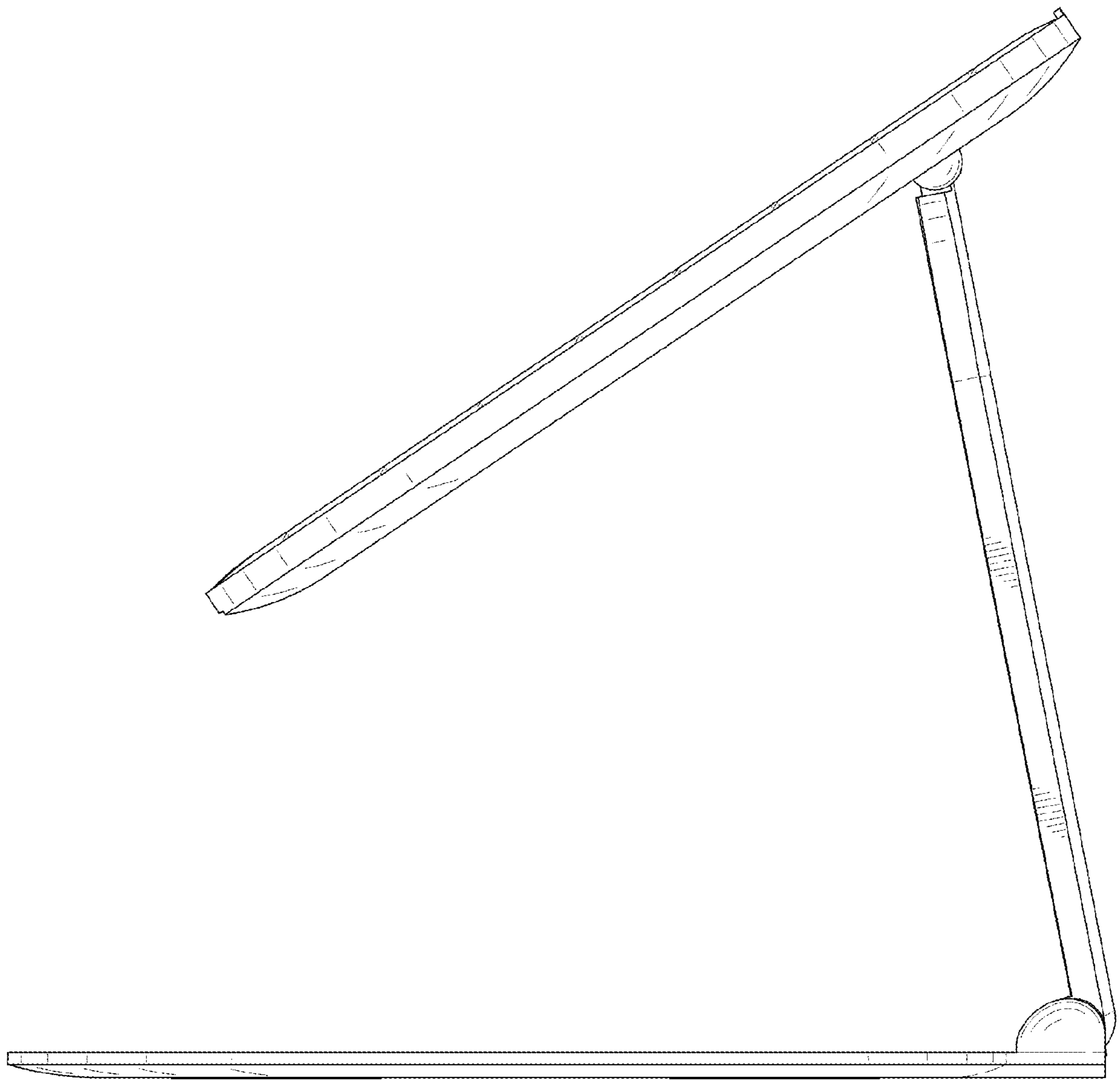


FIG. 6

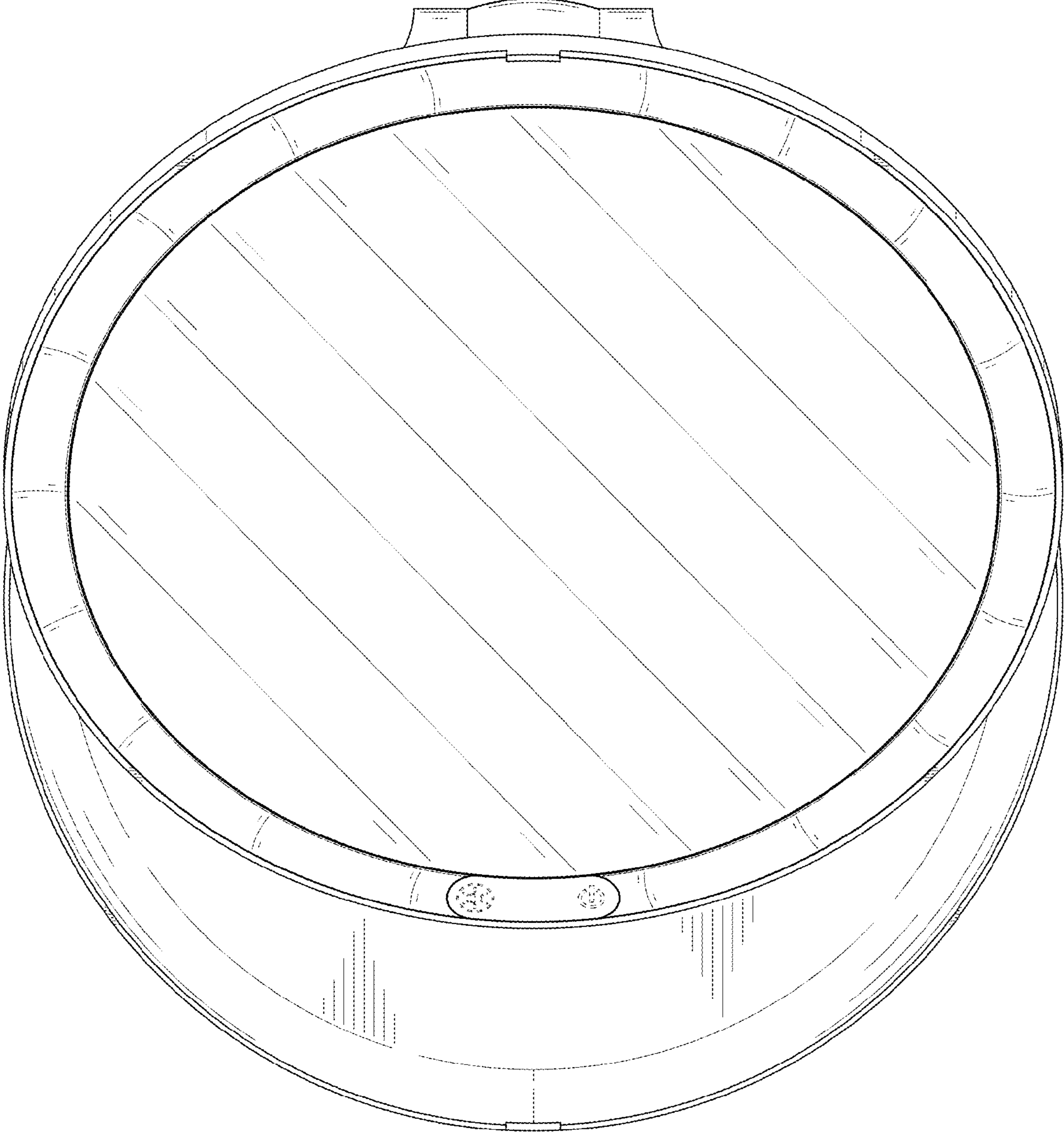


FIG. 7



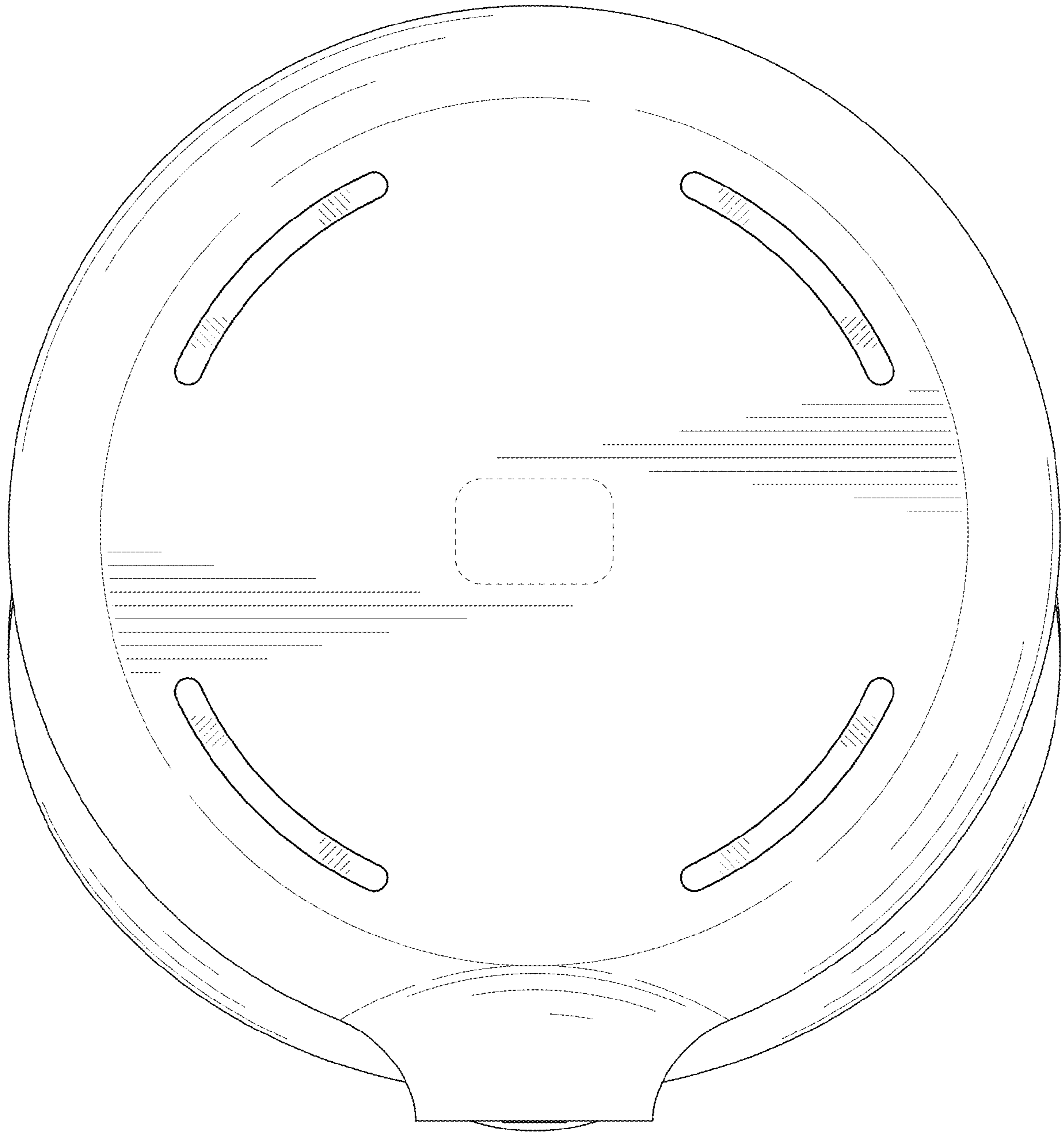


FIG. 8

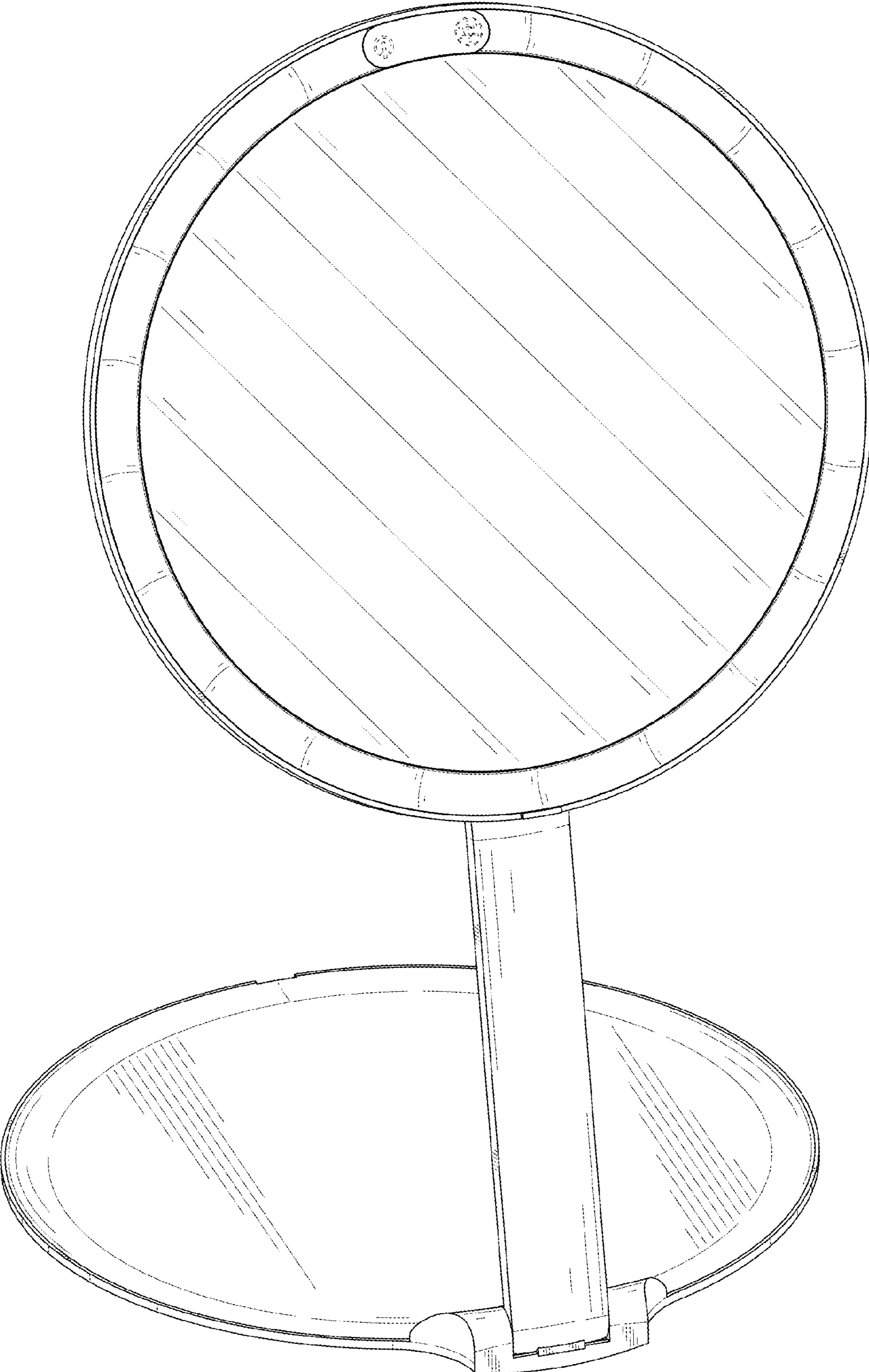


FIG. 9

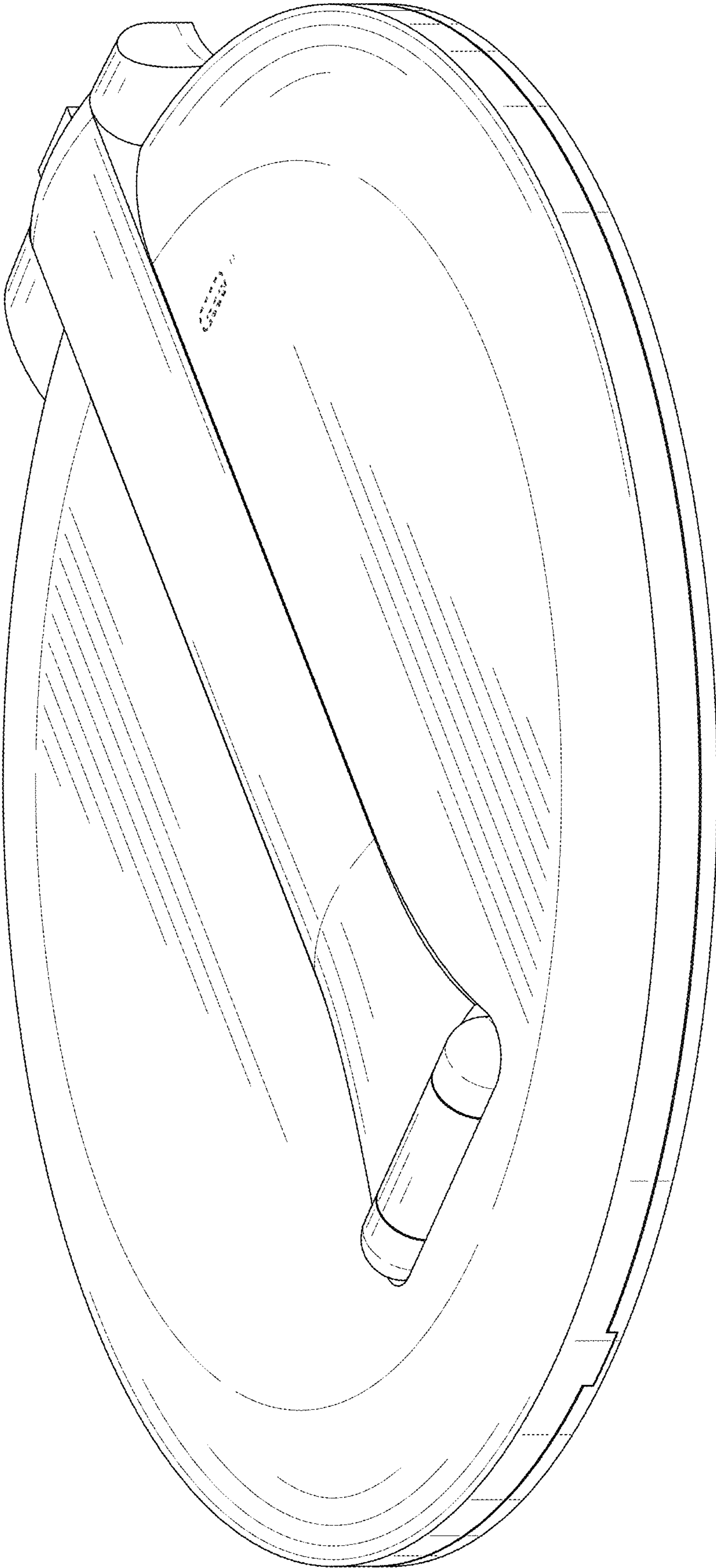


FIG. 10