



US00D975450S

(12) **United States Design Patent**
Zou

(10) **Patent No.:** **US D975,450 S**
(45) **Date of Patent:** **** Jan. 17, 2023**

- (54) **GOLF CLEANING BRUSH**
- (71) Applicant: **JiaZhuo Zou**, Dongguan (CN)
- (72) Inventor: **JiaZhuo Zou**, Dongguan (CN)
- (**) Term: **15 Years**
- (21) Appl. No.: **29/801,128**
- (22) Filed: **Jul. 27, 2021**
- (51) **LOC (14) Cl.** **04-01**
- (52) **U.S. Cl.**
USPC **D4/119**
- (58) **Field of Classification Search**
USPC D4/119, 120, 118, 116, 130, 128, 132,
D4/124; D8/27; D21/795
CPC ... A46B 5/0012; A46B 15/0055; A46B 17/08;
A63B 57/60; A43D 5/00
See application file for complete search history.

D465,929 S * 11/2002 Thomas D4/120
6,745,424 B1 * 6/2004 Pimentel A63B 57/60
15/21.2
D522,247 S * 6/2006 Moore D4/124
(Continued)

OTHER PUBLICATIONS

“Thiodoon . . .” reference found on Oct. 22, 2022 by RMS on the internet at: https://www.amazon.com/THIODOON-Retractable-Carabiner-Oversized-Comfortable/dp/B09957FQNJ/ref=pd_lpo_1?pd_rd_w=rV6d7&content-id=amzn1.sym.116f529c-aa4d-4763-b2b6-4d614ec7dc00&pf_rd_p=116f529c-aa4d-4763-b2b6-4d614ec7dc00&pf_rd_r=55STRS5N1R81J04DSZ.*

(Continued)

Primary Examiner — Rhea Shields

(57) **CLAIM**

The ornamental design for a golf cleaning brush, as shown and described.

DESCRIPTION

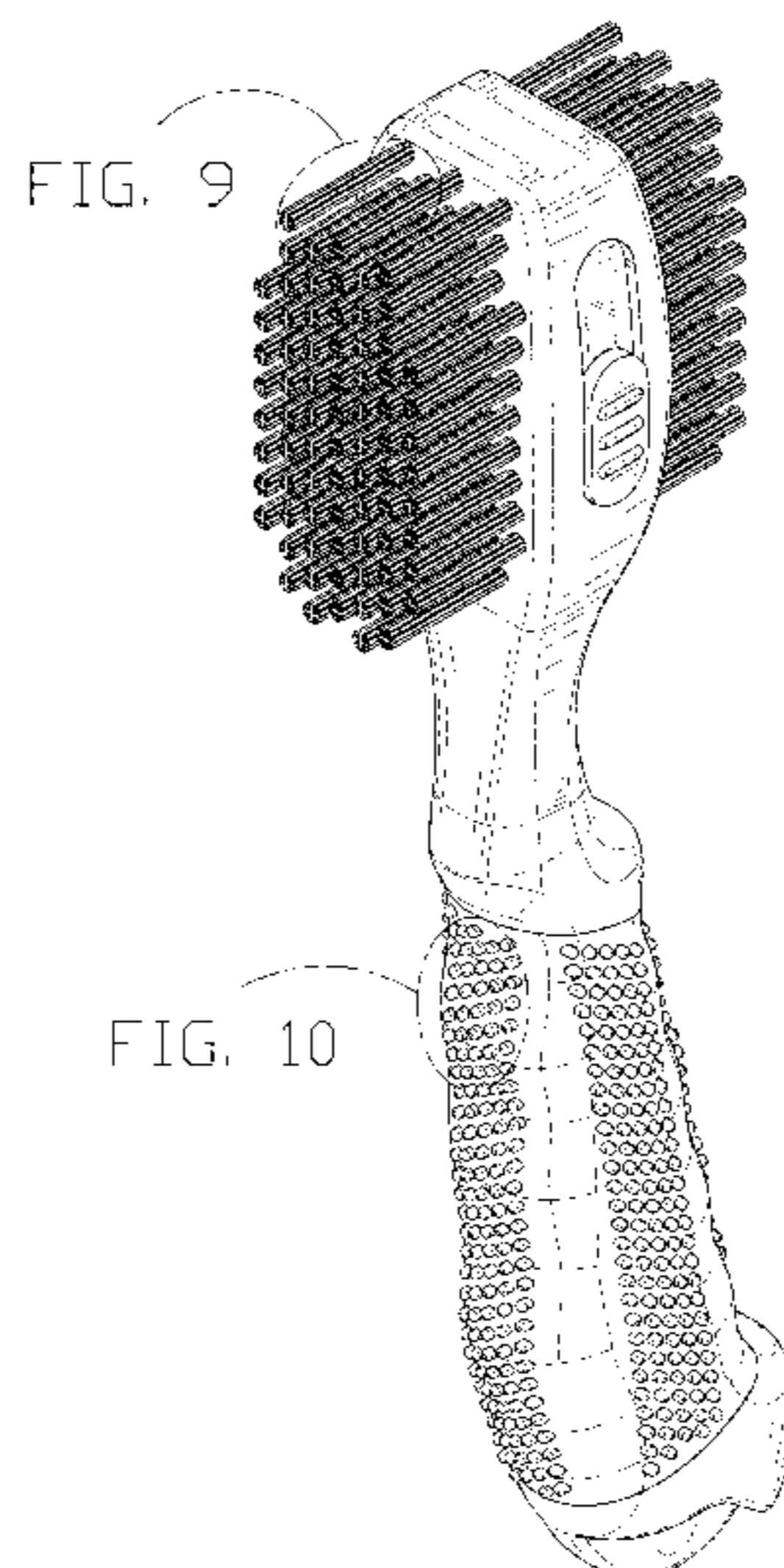
FIG. 1 is a front and top perspective view of a golf cleaning brush, showing my new design;
FIG. 2 is a rear and bottom perspective view thereof;
FIG. 3 is a front elevation view thereof;
FIG. 4 is a rear elevation view thereof;
FIG. 5 is a left side elevation view thereof;
FIG. 6 is a right side elevation view thereof;
FIG. 7 is a top plan view thereof;
FIG. 8 is a bottom plan view thereof;
FIG. 9 is an enlarged view of a portion labeled, ‘FIG. 9’ in FIG. 1; and,
FIG. 10 is an enlarged view of a portion labeled, ‘FIG. 10’ in FIG. 1.
The broken lines in the figures illustrate portions of the golf cleaning brush that form no part of the claimed design. The dash dot dash lines in FIGS. 1, 9 and 10 are for the purpose of depicting the boundary lines of the enlarged view and form no part of the claimed design.

(56) **References Cited**

U.S. PATENT DOCUMENTS

D190,333	S	*	5/1961	Gunderson	D4/118
D202,027	S	*	8/1965	Styron	D4/118
4,167,796	A	*	9/1979	De Pamphilis	A46B 17/08 15/248.1
D291,029	S	*	7/1987	Purvis	D4/118
D348,500	S	*	7/1994	Mortenson	D4/118
5,404,610	A	*	4/1995	Coyer, Sr.	A63B 57/60 15/160
D364,275	S	*	11/1995	Lewkowicz	D4/119
5,555,589	A	*	9/1996	Moultrie	A63B 57/60 D4/130
D382,116	S	*	8/1997	Norelli	D21/795
5,815,873	A	*	10/1998	Jones	A46B 15/0055 7/164
5,930,920	A	*	8/1999	Arnold	A63B 57/60 15/210.1
D422,145	S	*	4/2000	Hsu	D8/27
D425,707	S	*	5/2000	Olsson	D4/130
D428,463	S	*	7/2000	Jones	D21/795
6,430,770	B1	*	8/2002	Glass	A63B 57/60 15/160

1 Claim, 10 Drawing Sheets



(56)

References Cited

U.S. PATENT DOCUMENTS

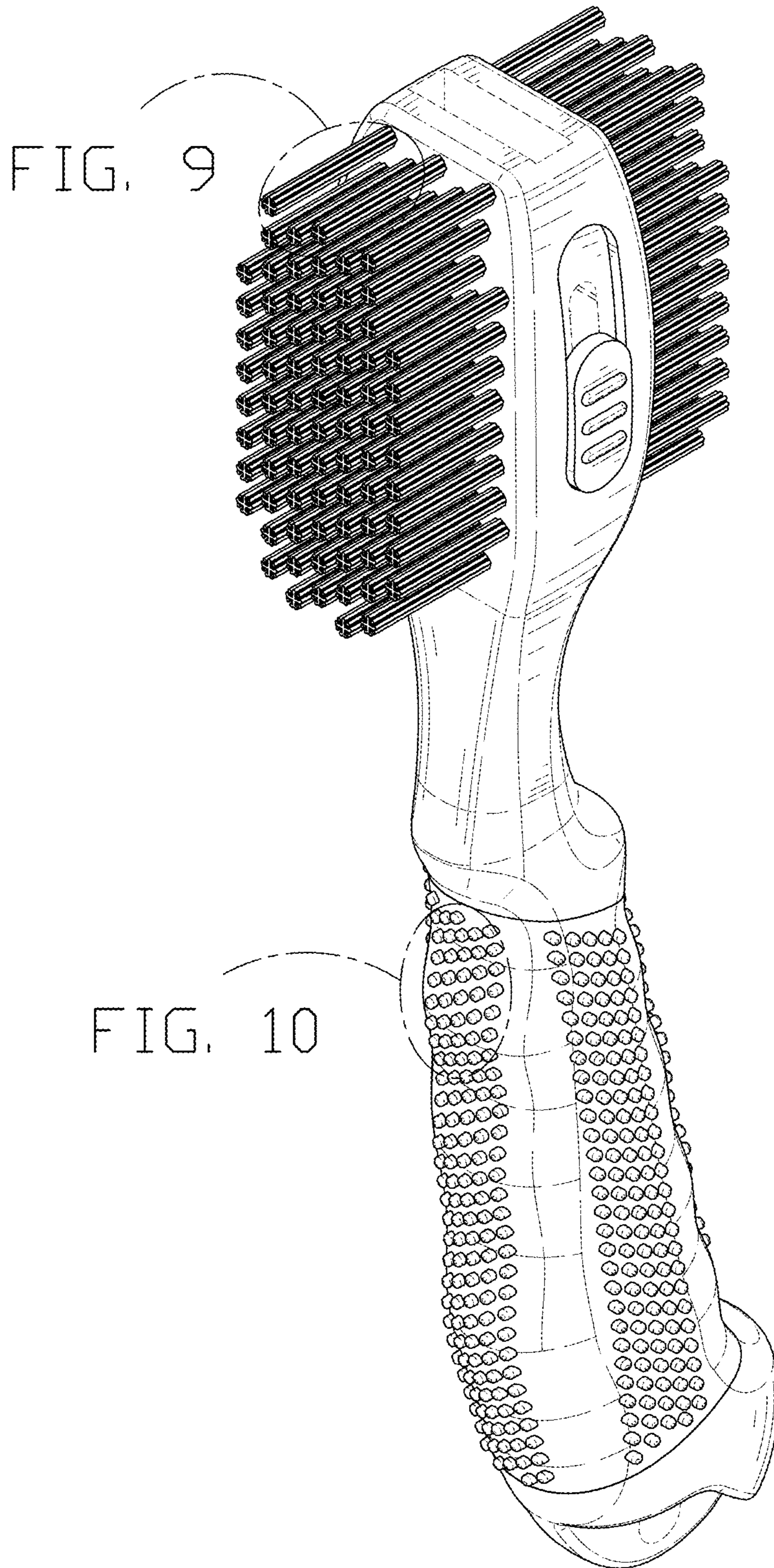
D522,756	S *	6/2006	Moore	D4/132
7,337,561	B2 *	3/2008	Potashnick	A43D 5/00
					12/142 R
D566,968	S *	4/2008	McBeath	D4/128
7,555,802	B2 *	7/2009	Bohannon	A63B 57/60
					D4/118
D691,811	S *	10/2013	Veres	D4/118
D700,672	S *	3/2014	Riley	D21/795
8,918,943	B2 *	12/2014	Blaszczec	A46B 5/0012
					15/160
D773,826	S *	12/2016	Veres	D4/120
D851,939	S *	6/2019	Tschopp	D4/120
D857,398	S *	8/2019	Touma	D4/138
D935,789	S *	11/2021	Xiang	D4/138
D959,847	S *	8/2022	Lu	D4/118
D960,584	S *	8/2022	Wang	D4/118

OTHER PUBLICATIONS

“Maxfli Groover . . . ” reference found on Oct. 22, 2022 by RMS on the internet at: https://www.dickssportinggoods.com/p/maxfli-groover-brush-w14mxflgrvrbrsh/w14mxflgrvrbrsh?sku=14651583&camp=CSE:DSG_92700072942117703_lia_pla-1740283606940_58700008020823778_71700000100251099&segment=&gclid=EAIaIQobChMlgofXwvb0-gIVB_rlCh3I0.*

“Golf Club . . . ” reference found by RMS on Oct. 22, 2022 on the internet at: https://www.ebay.com/itm/314131009742?chn=ps&var=612786135015&_trkparms=ispr%3D1&amdata=enc%3A1APsNWXIIQXy0qtQFpbEGBg11&norover=1&mkevt=1&mkrid=711-117182-37290-0&mkcid=2&mkscid=101&itemid=612786135015_314131009742&targetid=&device=c&mktype=pla&.*

* cited by examiner



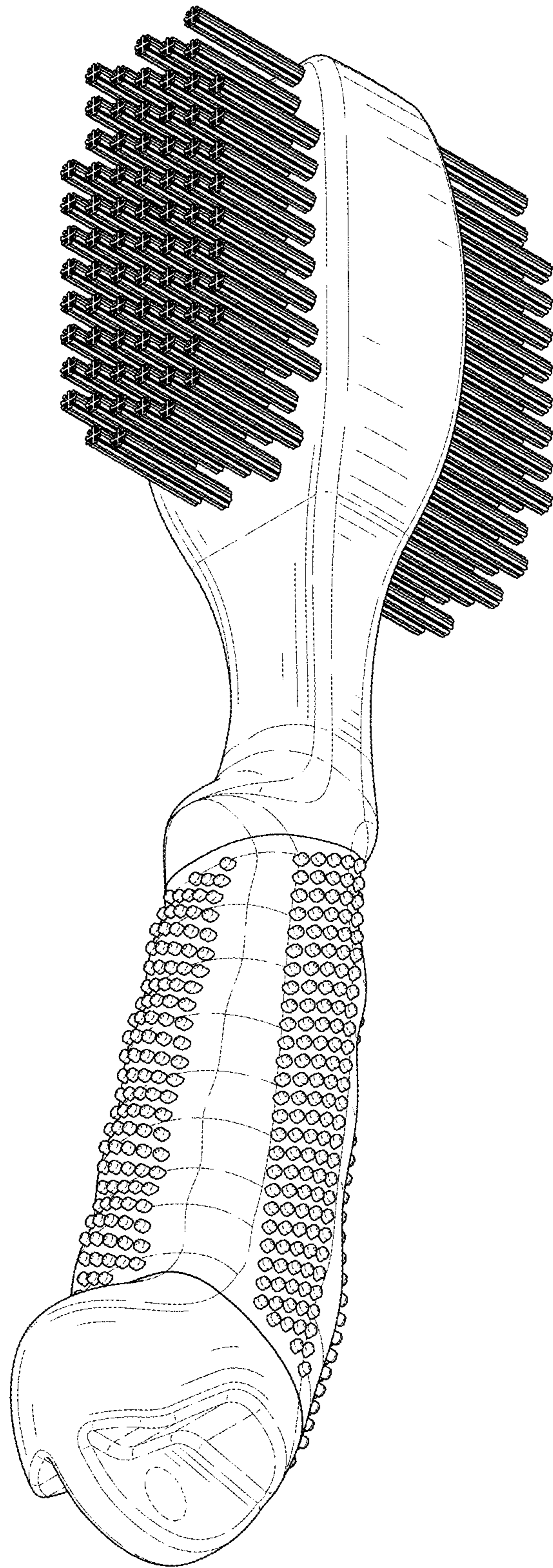


FIG. 2

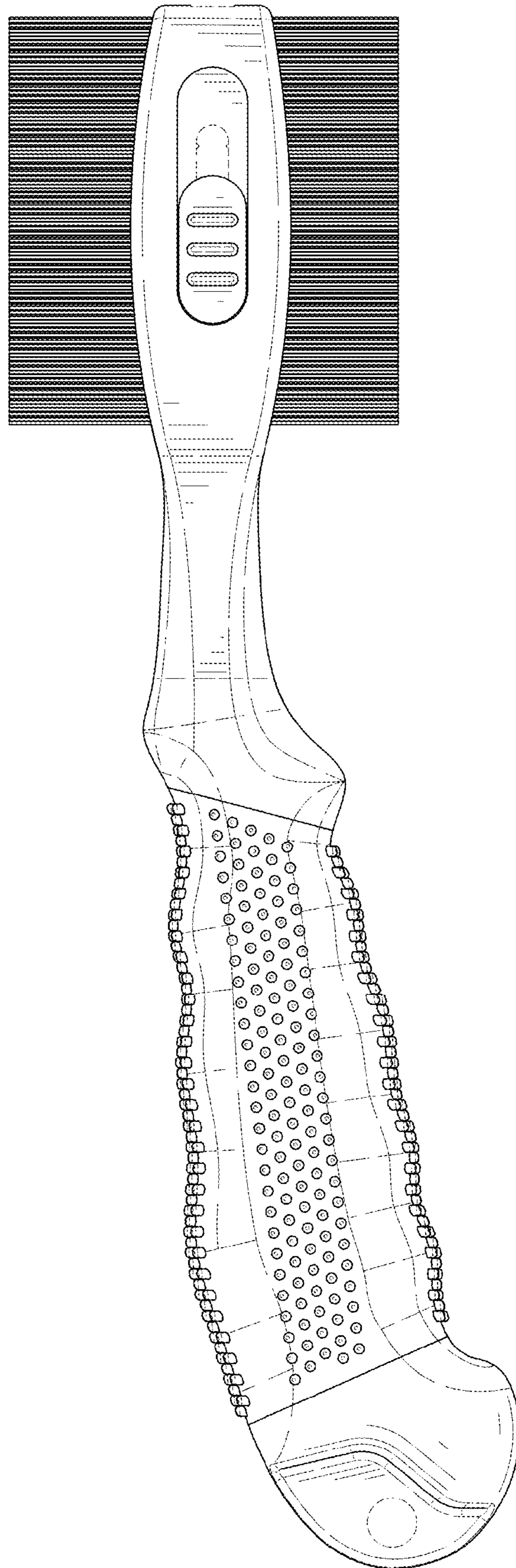


FIG. 3

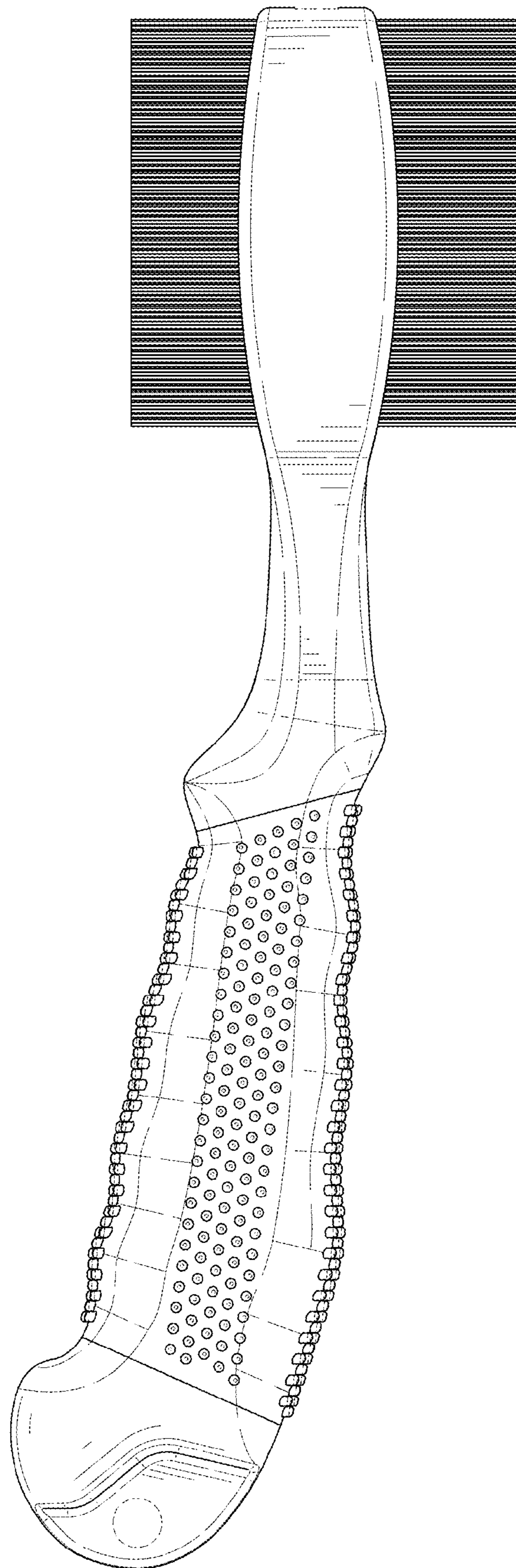


FIG. 4

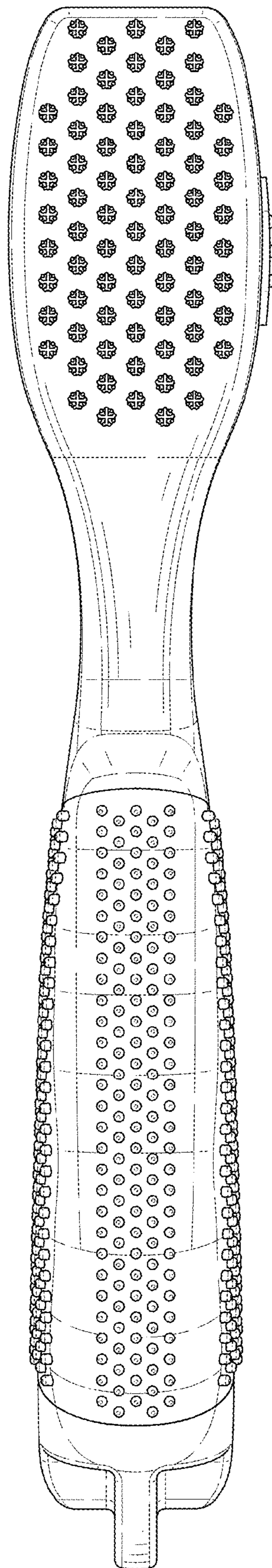


FIG. 5

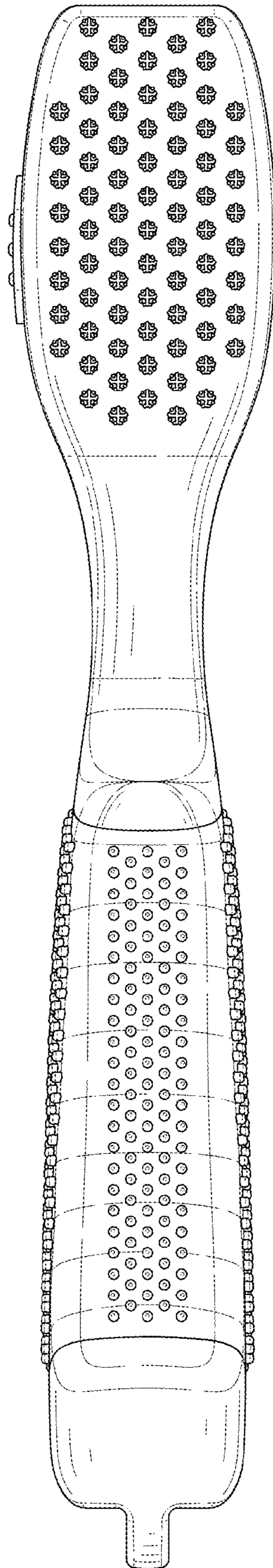


FIG. 6

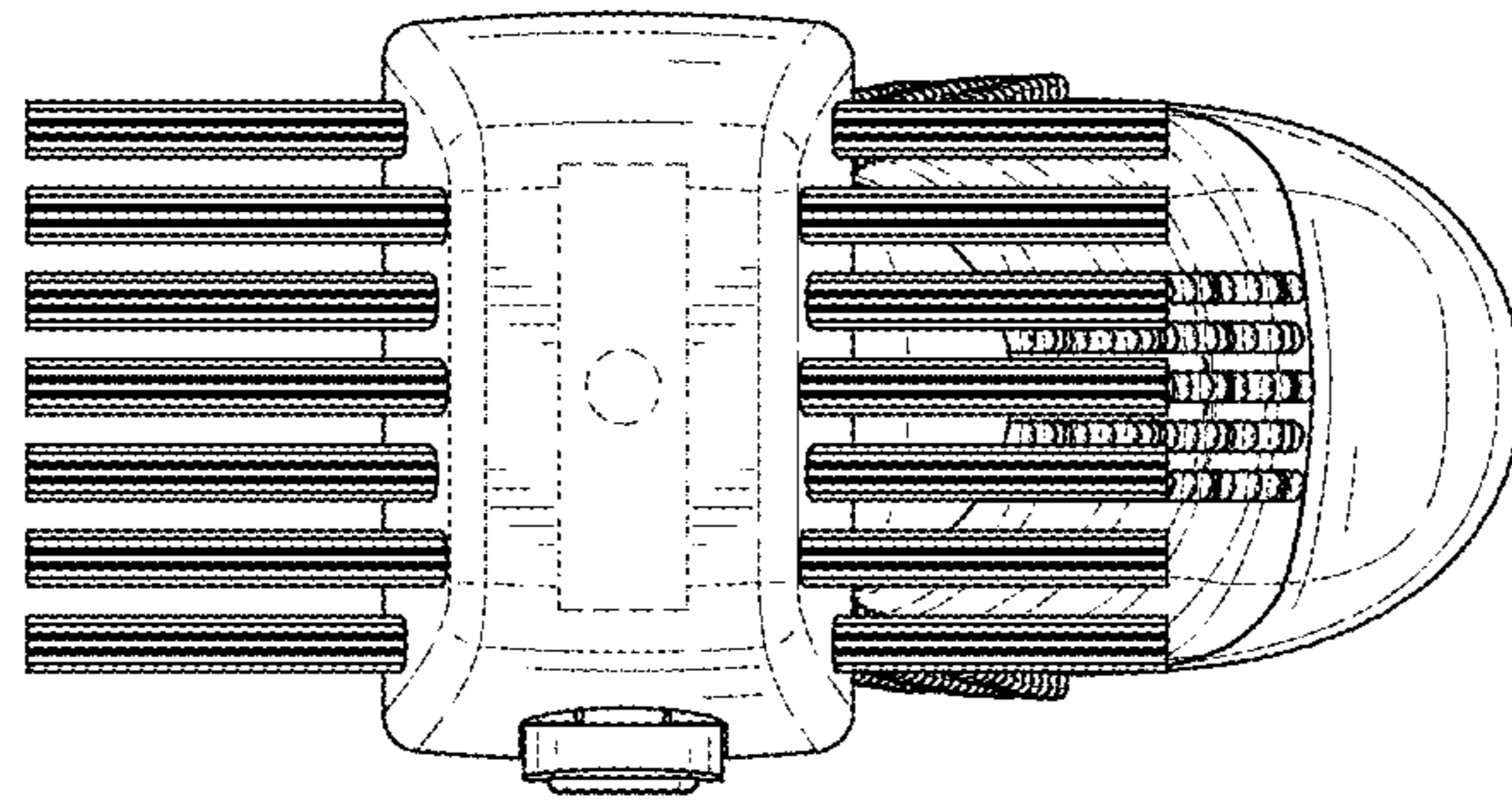


FIG. 7

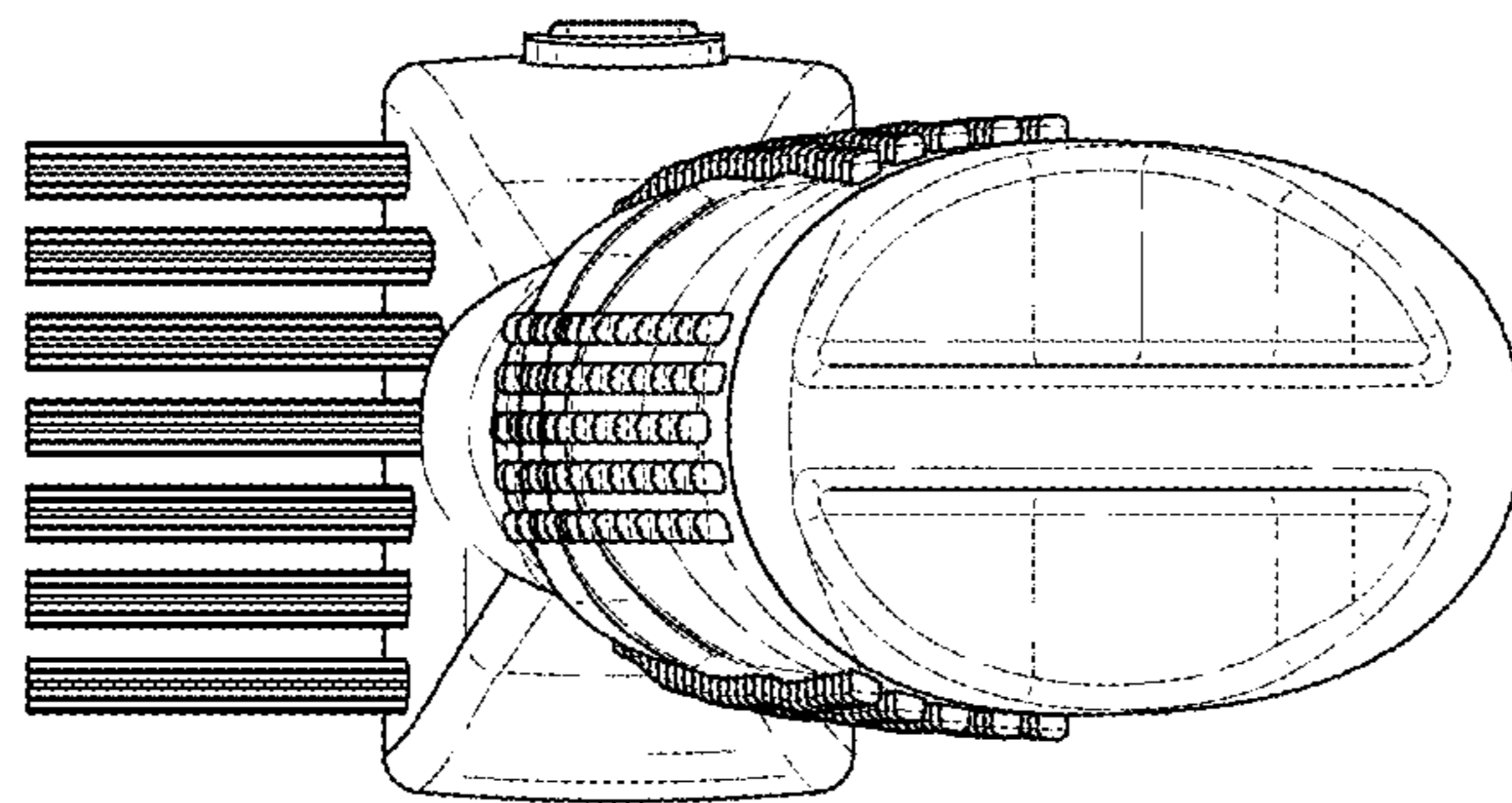


FIG. 8

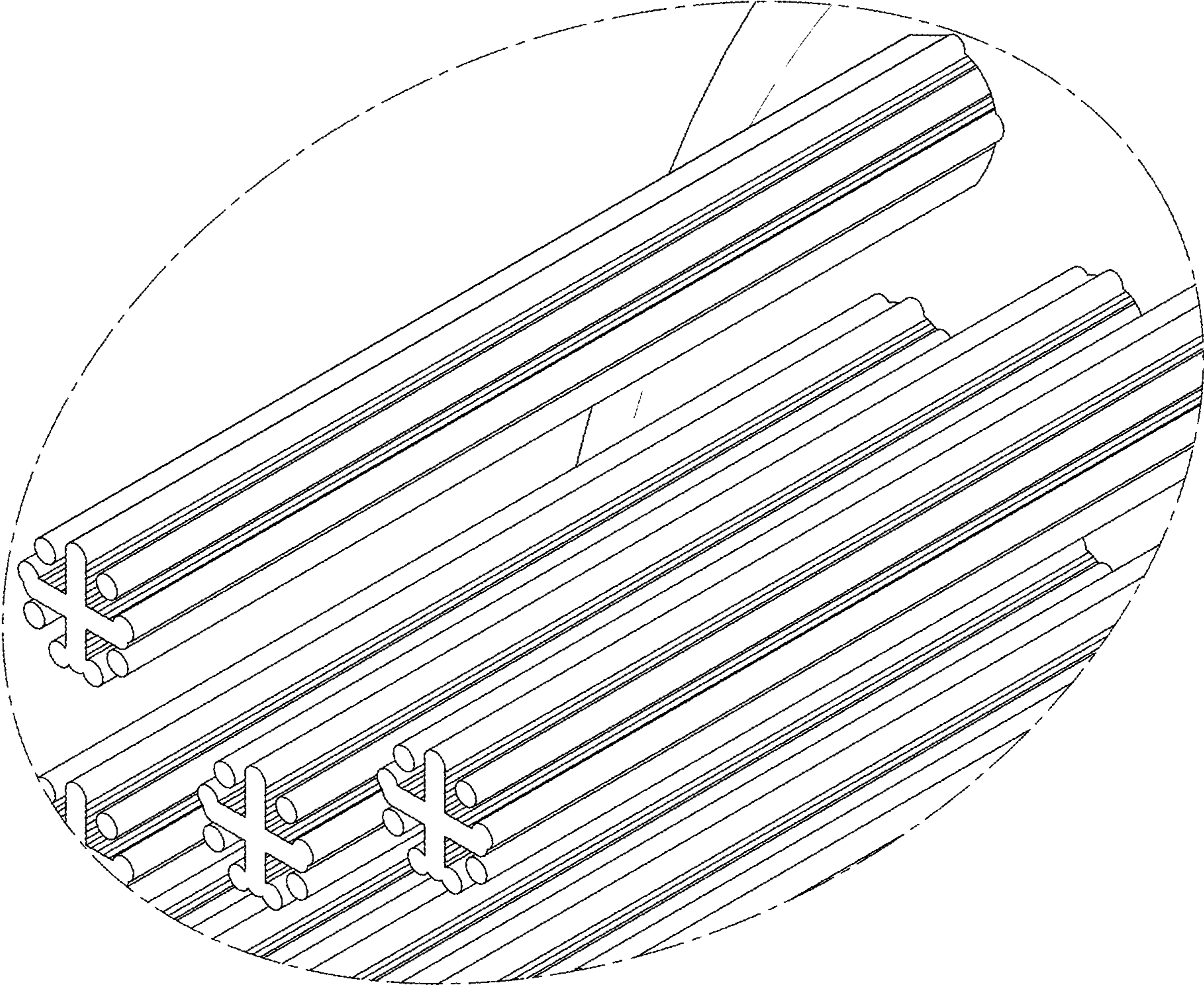


FIG. 9

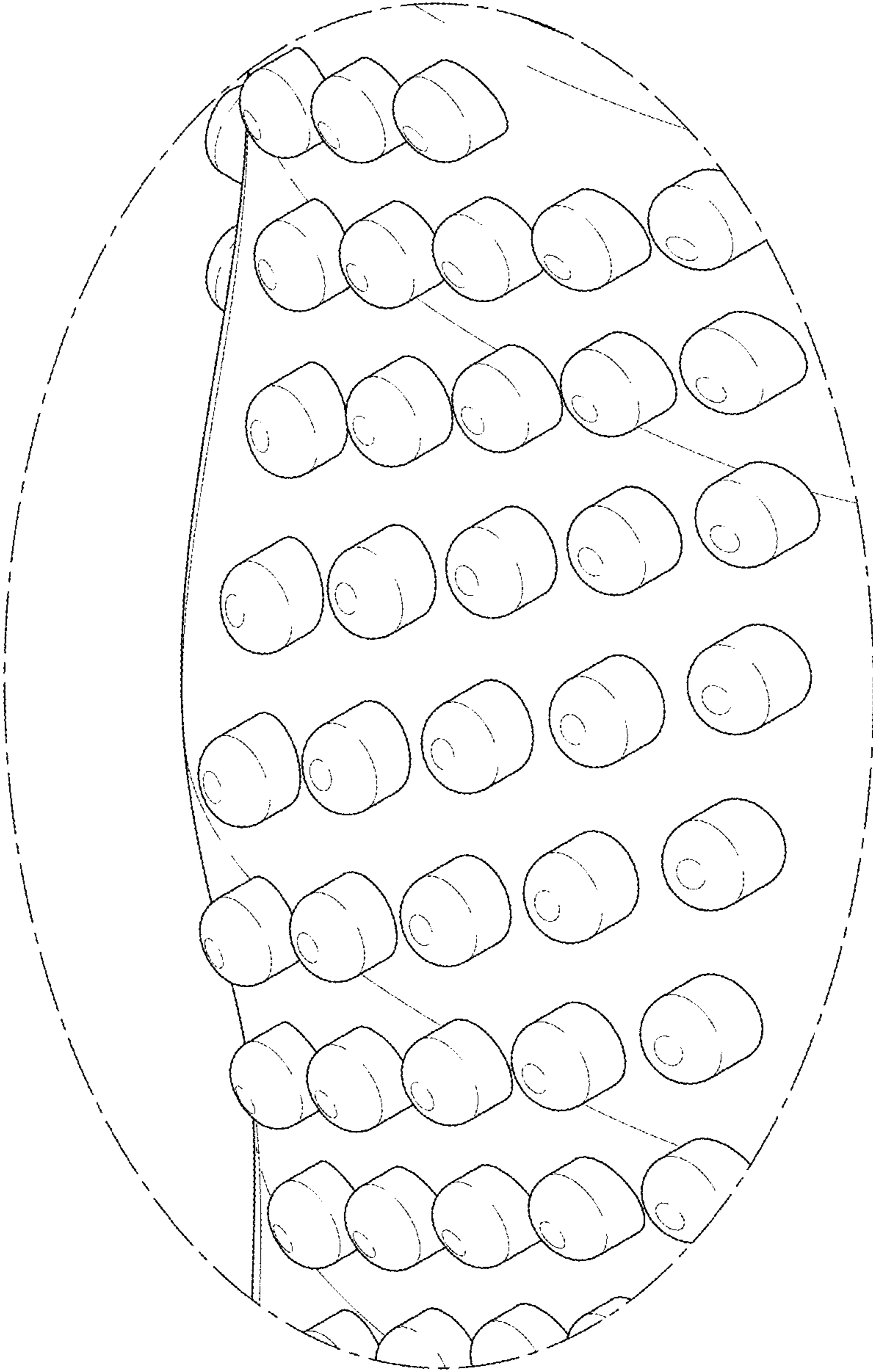


FIG. 10