

US00D975448S

(12) **United States Design Patent** (10) **Patent No.:** **US D975,448 S**
Chan (45) **Date of Patent:** **** Jan. 17, 2023**

(54) **SEALABLE BAG**
(71) Applicant: **SPACEWHITE PTY LTD**, Richmond (AU)
(72) Inventor: **Kin Lap Chan**, Richmond (AU)
(73) Assignee: **SPACEWHITE PTY LTD**, Richmond (AU)
(**) Term: **15 Years**
(21) Appl. No.: **29/805,471**
(22) Filed: **Aug. 27, 2021**
(51) **LOC (14) Cl.** **03-01**
(52) **U.S. Cl.**
USPC **D3/303**
(58) **Field of Classification Search**
USPC D3/201, 204–212, 232–239, 242–244, D3/254–258, 263, 264, 269, 270, 271.1, D3/271.2, 271.3, 273, 289–296, 298, 299, D3/301–316, 901, 903; D7/601–604, D7/609, 619.1, 619.2, 631–633, 635, 637; D9/414, 420–423, 434, 435, 499, 600, D9/605, 614, 621, 622, 700, 701; D13/108; D14/509–511, 203.4, 203.6, D14/205; D24/224–227
CPC A45D 29/20; A45D 44/18; A45F 3/48; A45C 11/00; A45C 11/005; A45C 11/008; A45C 11/04; A45C 11/043; A45C 11/046; A45C 11/08; A45C 11/14; A45C 11/182; A45C 11/24; A45C 11/26; A45C 11/32; A45C 11/321; A45C 11/34; A45C 11/36; A45C 2011/001; A45C 2011/002; A45C 2011/003; A45C 2011/006; A45C 2011/007; A45C 2011/188; A45C 2011/322; A45C 2011/323; A45C 2011/324; A45C 2011/325; A45C
(Continued)

(56) **References Cited**
U.S. PATENT DOCUMENTS
D195,895 S * 8/1963 Ehle D3/270
D234,377 S * 2/1975 Gallasch D3/289
(Continued)

FOREIGN PATENT DOCUMENTS
EM 006613238-0001 * 7/2019
GB 6016991 * 8/2017
(Continued)

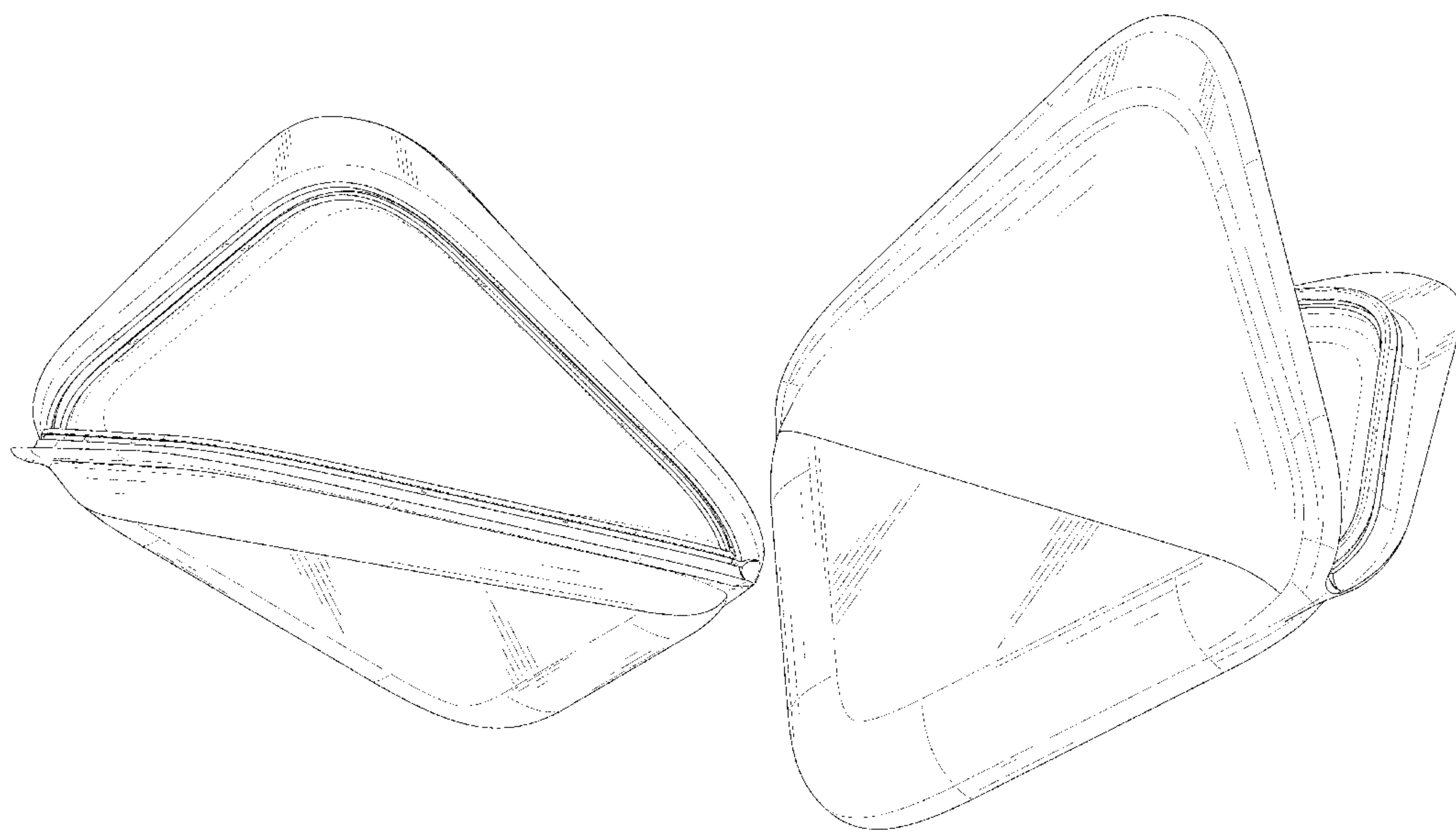
OTHER PUBLICATIONS
Medium Reusable Sandwich Bag, available at pamperedchef.com, earliest customer review date Mar. 2022 [online], site visited Sep. 13, 2022, available from the internet URL: <https://www.pamperedchef.com/shop/Kitchen+Tools/Storage/Medium+Reusable+Sandwich+Bag/100690> (Year: 2022).*
(Continued)

Primary Examiner — Messina L Smith
Assistant Examiner — Jillian Mazzola

(57) **CLAIM**
The ornamental design for a sealable bag, as shown and described.

DESCRIPTION
FIG. 1 is a perspective view of a sealable bag showing my new design;
FIG. 2 is another perspective view thereof;
FIG. 3 is a front elevational view thereof;
FIG. 4 is a rear elevational view thereof;
FIG. 5 is a left side elevational view thereof;
FIG. 6 is a right side elevational view thereof;
FIG. 7 is a top plan view thereof; and,
FIG. 8 is a bottom plan view thereof.
The broken lines in the drawings depict portions of the sealable bag that form no part of the claimed design.

1 Claim, 8 Drawing Sheets



(58) **Field of Classification Search**
 CPC ... 2011/326; A45C 2011/327; A45C 2011/329
 See application file for complete search history.

| | | | | |
|--------------|------|---------|-------------|------------------------|
| 10,625,906 | B1 * | 4/2020 | Nouri | B65D 33/02 |
| D885,749 | S * | 6/2020 | Yuan | D3/205 |
| D897,096 | S * | 9/2020 | Lee | D3/243 |
| D935,765 | S * | 11/2021 | Toda | D3/206 |
| D957,932 | S * | 7/2022 | David | D9/414 |
| 2005/0217594 | A1 * | 10/2005 | Lange | A01K 1/0107 119/161 |

(56) **References Cited**

U.S. PATENT DOCUMENTS

| | | | | |
|-----------|------|---------|------------------|-------------------------|
| 4,146,133 | A * | 3/1979 | Bogorad | B65D 33/002 206/439 |
| D262,891 | S * | 2/1982 | Nast | D6/626 |
| 5,118,203 | A * | 6/1992 | Andronico | B65D 77/38 383/94 |
| D393,148 | S * | 4/1998 | Petruzzi | D3/208 |
| D464,257 | S | 10/2002 | Gates | |
| 6,611,998 | B1 * | 9/2003 | Stiglic | B65D 33/2541 24/400 |
| D481,250 | S * | 10/2003 | Hassett | D3/301 |
| 6,698,586 | B2 * | 3/2004 | Sankey | G11B 33/0427 206/307 |
| D498,918 | S * | 11/2004 | Lundy | D3/205 |
| D531,022 | S * | 10/2006 | Au | D3/903 |
| D595,503 | S * | 7/2009 | Guy | D3/205 |
| D601,795 | S * | 10/2009 | Chen | D3/904 |
| D611,253 | S * | 3/2010 | Lown | D3/301 |
| D661,092 | S * | 6/2012 | Chen | D3/270 |
| D665,570 | S * | 8/2012 | Shrewsbury | D3/205 |
| D669,272 | S * | 10/2012 | Yang et al. | D3/303 |
| D828,763 | S | 9/2018 | Tan | |
| D873,015 | S * | 1/2020 | Bradberry | D3/315 |
| D881,573 | S * | 4/2020 | Liu | D9/702 |

FOREIGN PATENT DOCUMENTS

| | | | |
|----|----------------|---|--------|
| JP | D1557656 | * | 9/2016 |
| KR | 301155905.0000 | * | 3/2022 |

OTHER PUBLICATIONS

Sandwich Bag, available at stasherbag.com, earliest customer review date Nov. 6, 2019 [online], site visited Sep. 13, 2022, available from the internet URL: <https://www.stasherbag.com/products/reusable-silicone-sandwich-bag> (Year: 2019).*

Zip Top Reusable 3 Bag Set, available at target.com, earliest customer review date Sep. 2019 [online], site visited Sep. 13, 2022, available from the internet URL: <https://www.target.com/p/zip-top-reusable-100-platinum-silicone-container-3-bag-set-2-sandwich-size-1-snack-size/-/A-81842361> (Year: 2019).*

BluePerlOne Two-30 oz. 100% Silicone Reusable Food Storage Bags, available at amazon.com, earliest date available Aug. 22, 2020 [online], site visited Sep. 13, 2022, available from the internet URL: <https://www.amazon.com/dp/B08FBYVGH1/> (Year: 2020).*

* cited by examiner

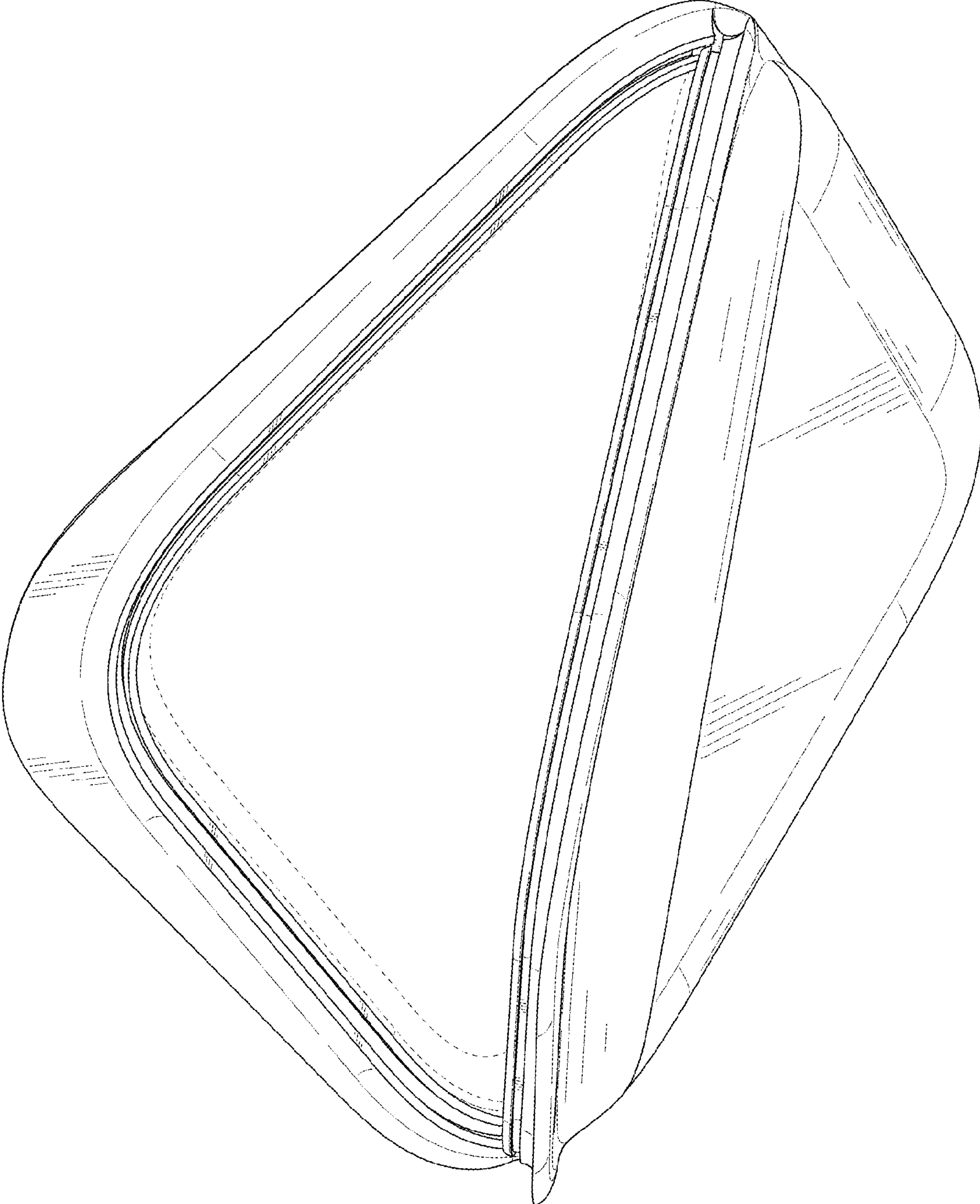


FIG. 1

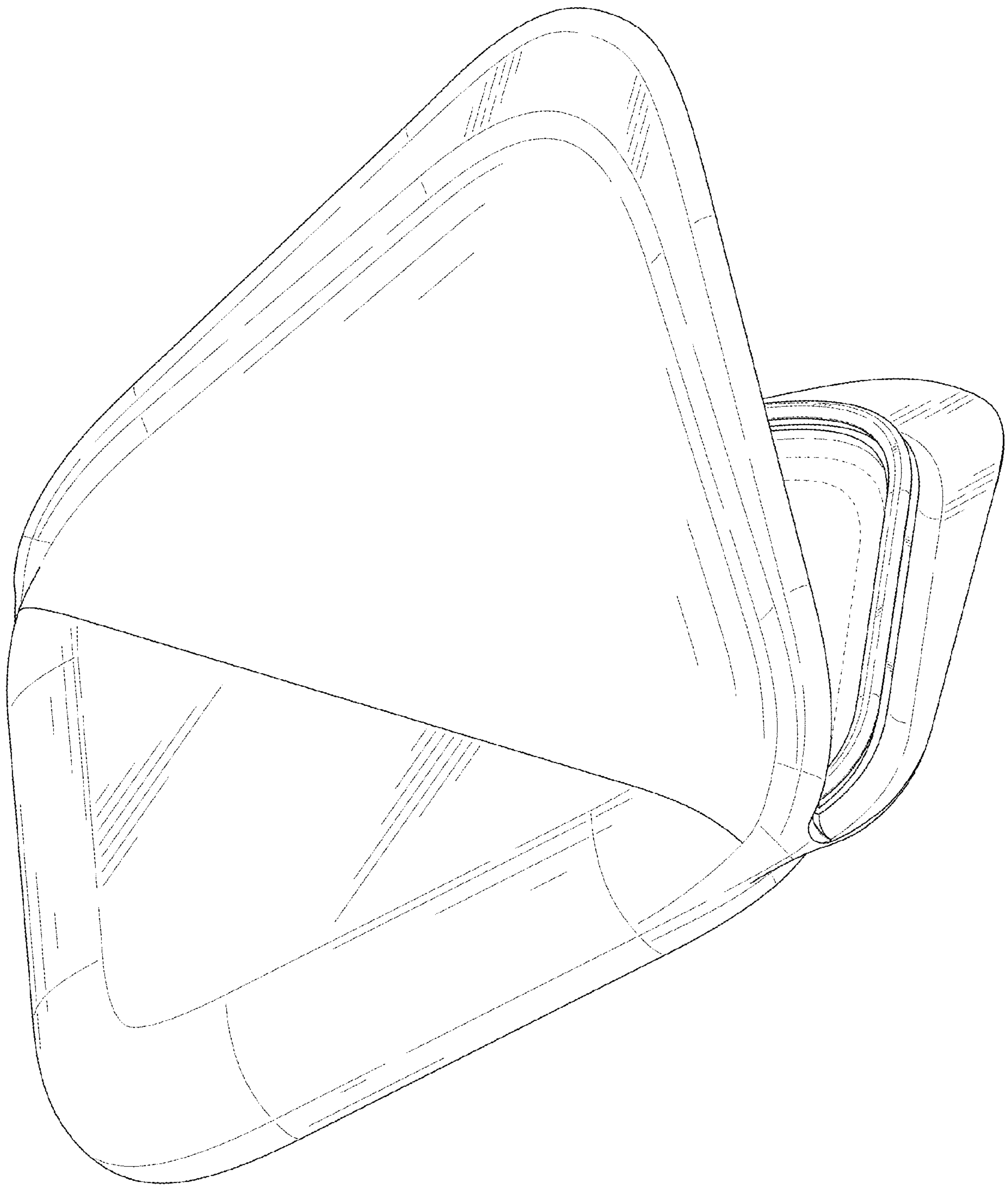


FIG. 2

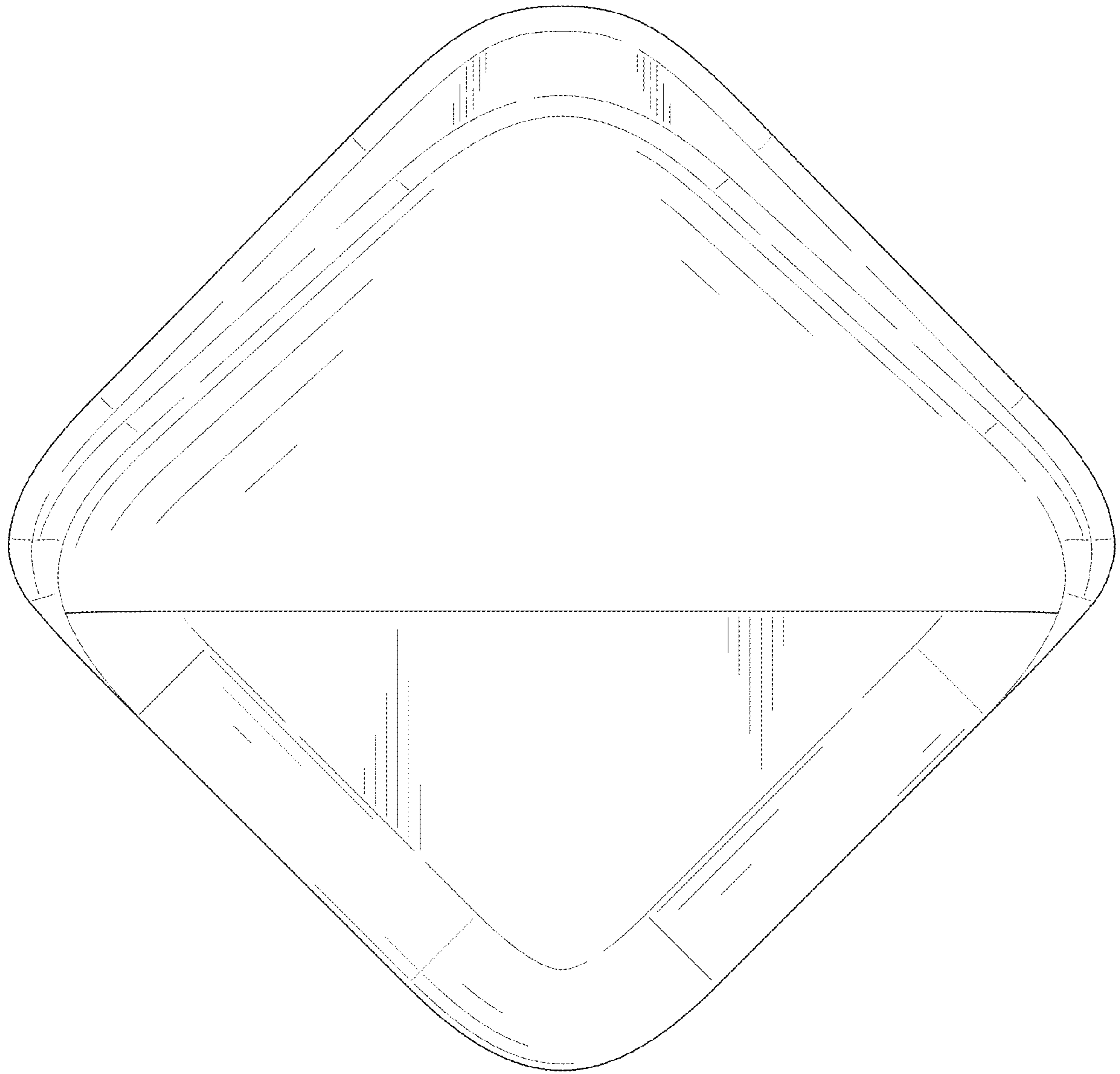


FIG. 3

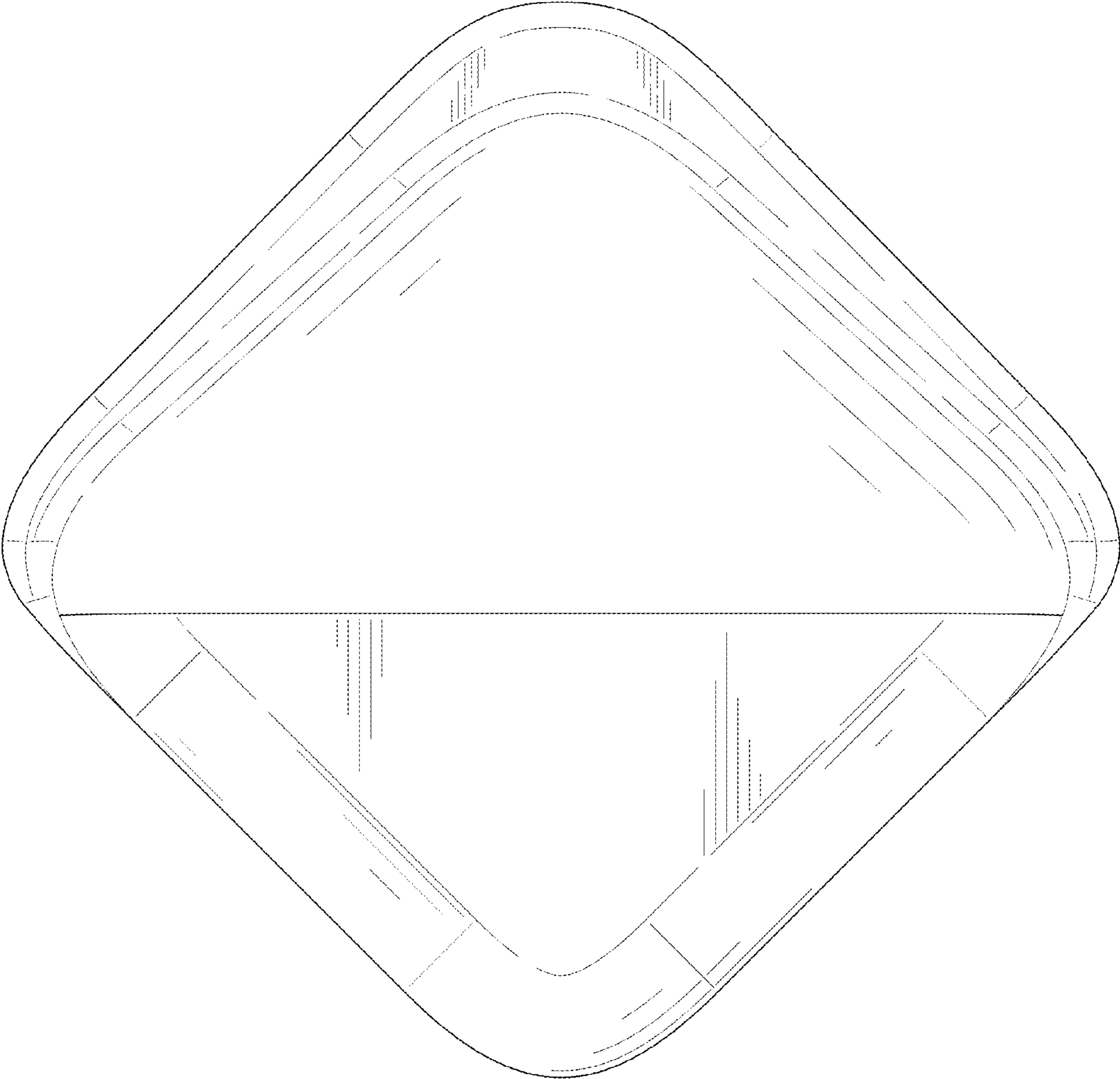


FIG. 4

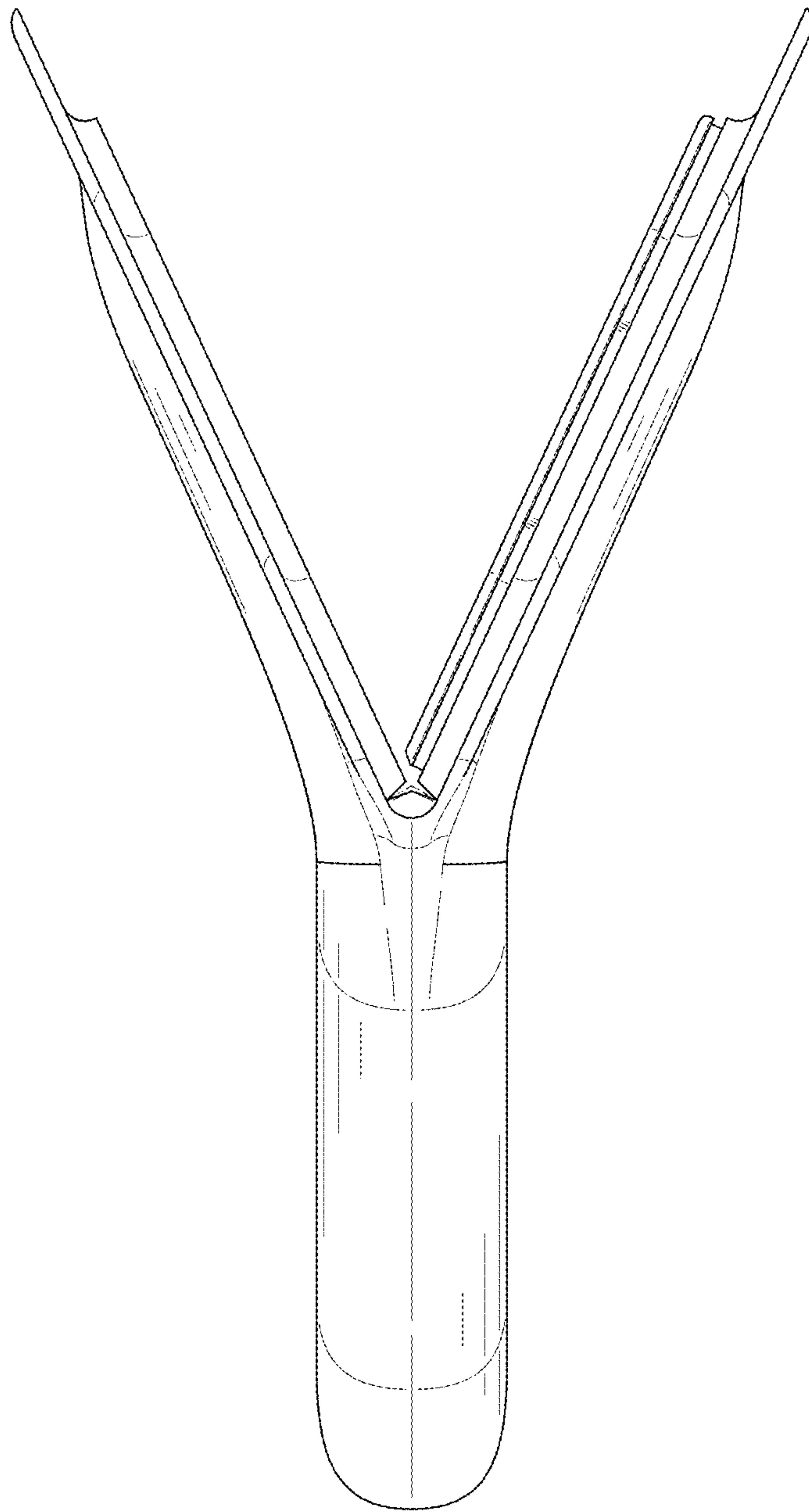


FIG. 5

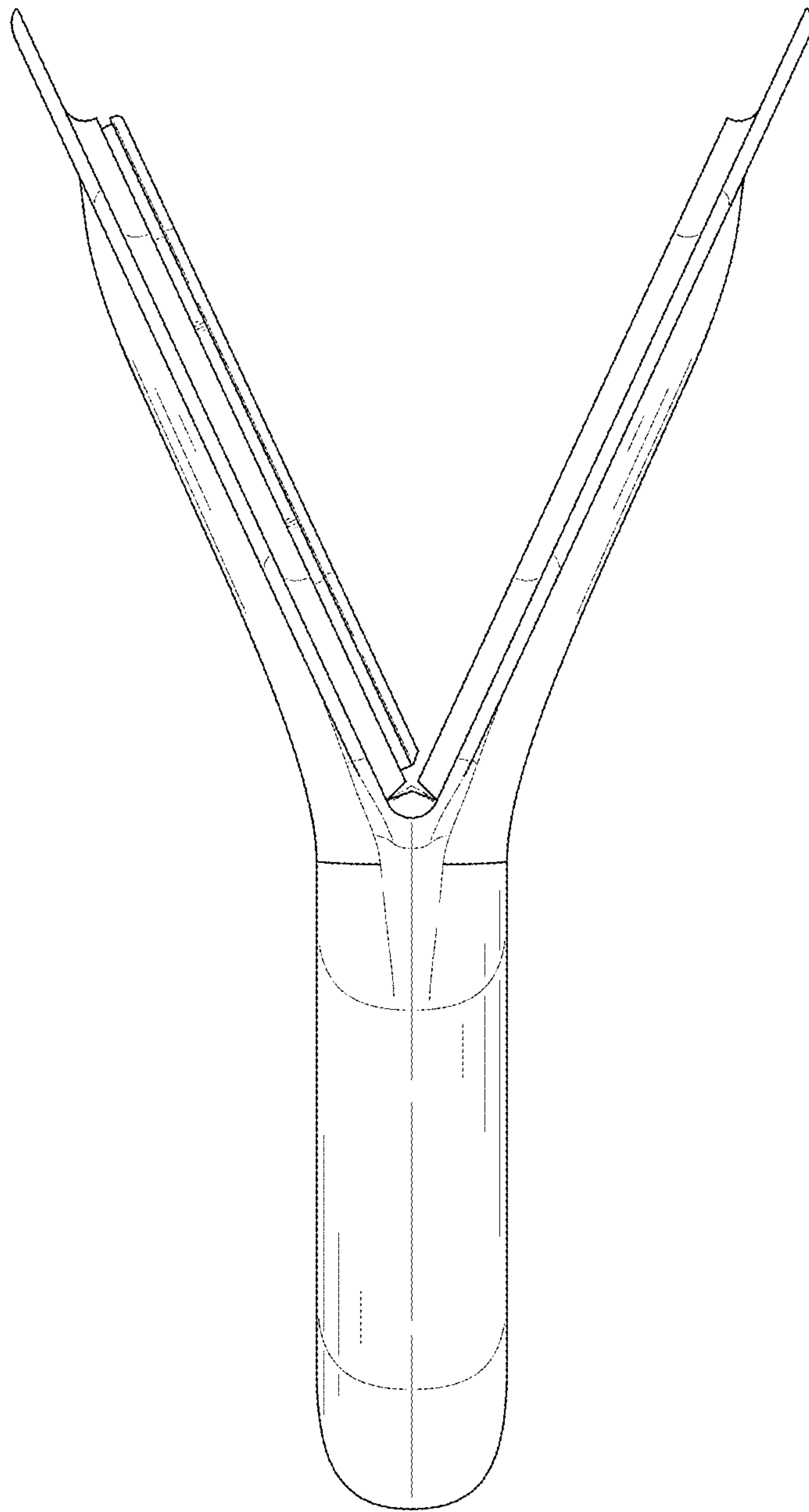


FIG. 6

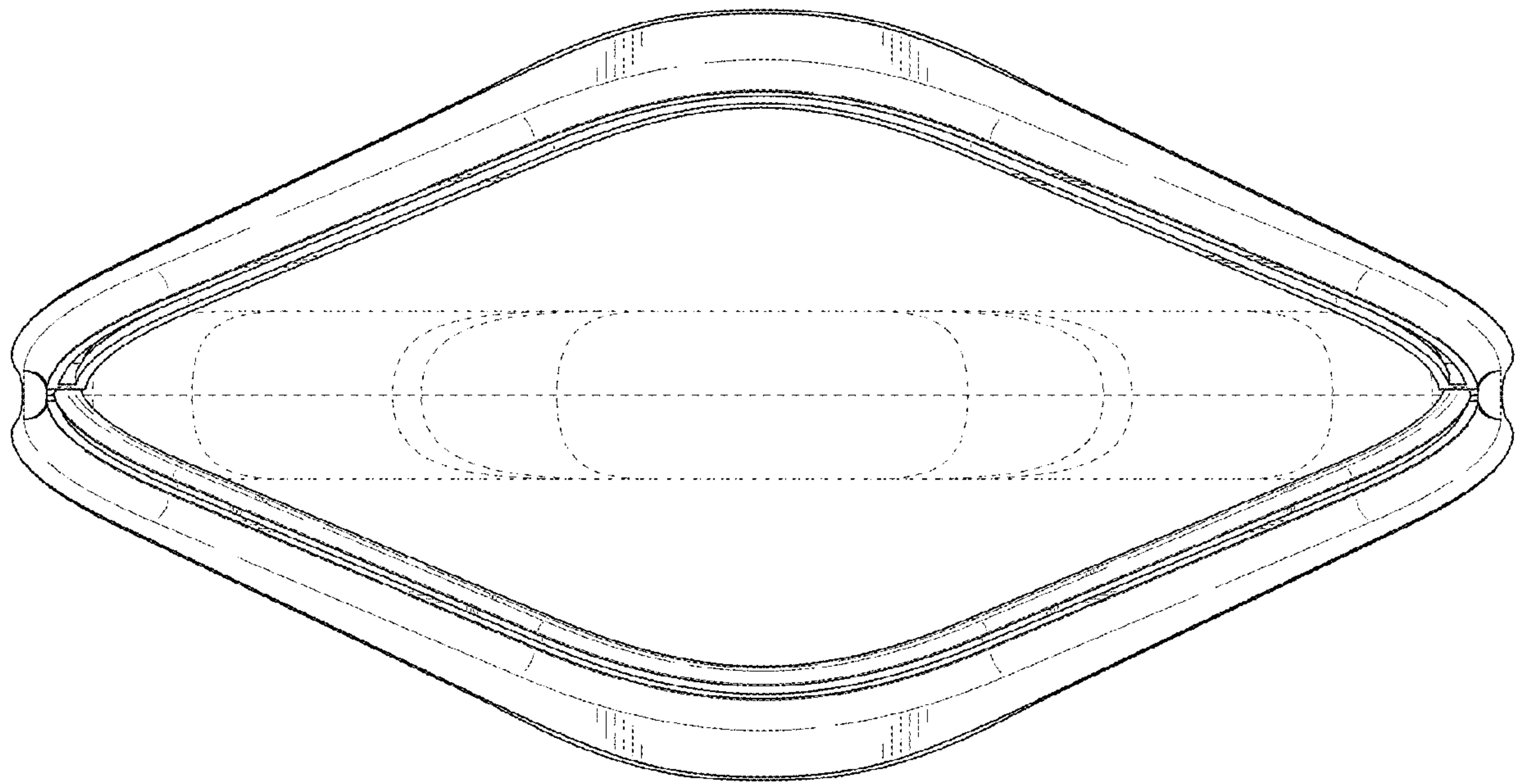


FIG. 7

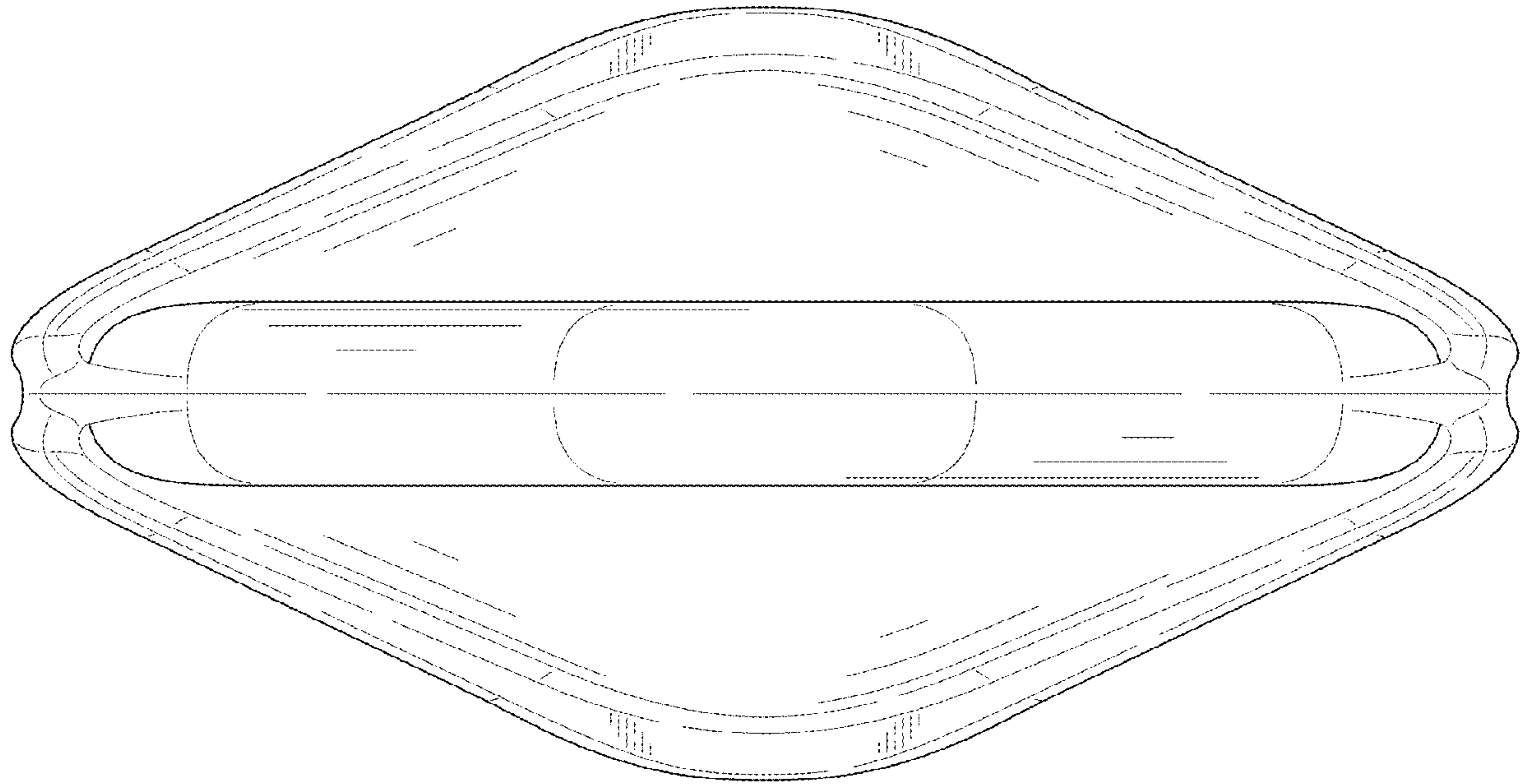


FIG. 8