



US00D975447S

(12) **United States Design Patent** (10) **Patent No.:** **US D975,447 S**
Aneja (45) **Date of Patent:** **** Jan. 17, 2023**

(54) **MOUNTING DEVICE FOR A LOCATION TRACKER**

(71) Applicant: **Neil Aneja**, Roanoke, VA (US)

(72) Inventor: **Neil Aneja**, Roanoke, VA (US)

(73) Assignee: **Neil Aneja**, Roanoke, VA (US)

(**) Term: **15 Years**

(21) Appl. No.: **29/810,421**

(22) Filed: **Oct. 5, 2021**

(51) **LOC (14) Cl.** **03-01**

(52) **U.S. Cl.**
USPC **D3/302**

(58) **Field of Classification Search**
USPC D3/201, 204–212, 232–239, 242–244,
D3/254–258, 263, 264, 269, 270, 271.1,
(Continued)

(56) **References Cited**

U.S. PATENT DOCUMENTS

D76,884 S * 11/1928 Millring D3/901
1,811,327 A * 6/1931 Parrella A45C 11/324
206/37.8

(Continued)

FOREIGN PATENT DOCUMENTS

CN 305912925 A 3/2020
CN 306765267 * 8/2021

(Continued)

OTHER PUBLICATIONS

Airtag Bike Mount Bike Tracker, available at amazon.com, earliest date available Sep. 6, 2021 [online], site visited Sep. 13, 2022,

available from the internet URL: <https://www.amazon.com/Airtag-Bike-Mount-Tracker-Theft/dp/B09FKNYJNQ> (Year: 2021).*

(Continued)

Primary Examiner — Messina L Smith

Assistant Examiner — Jillian Mazzola

(74) *Attorney, Agent, or Firm* — Dickinson Wright PLLC

(57) **CLAIM**

The ornamental design for a mounting device for a location tracker, as shown and described.

DESCRIPTION

FIG. 1 is a perspective view of a mounting device for a location tracker, showing my new design;

FIG. 2 is a left side view of the mounting device for a location tracker;

FIG. 3 is a top view of the mounting device for a location tracker, with the bottom view being a mirror image thereof;

FIG. 4 is a front view of the mounting device for a location tracker, with the rear view being a mirror image thereof;

FIG. 5 is an exploded top perspective view of the mounting device for a location tracker;

FIG. 6 is an exploded front view of the mounting device for a location tracker;

FIG. 7 is a top view a bottom component of the mounting device for a location tracker;

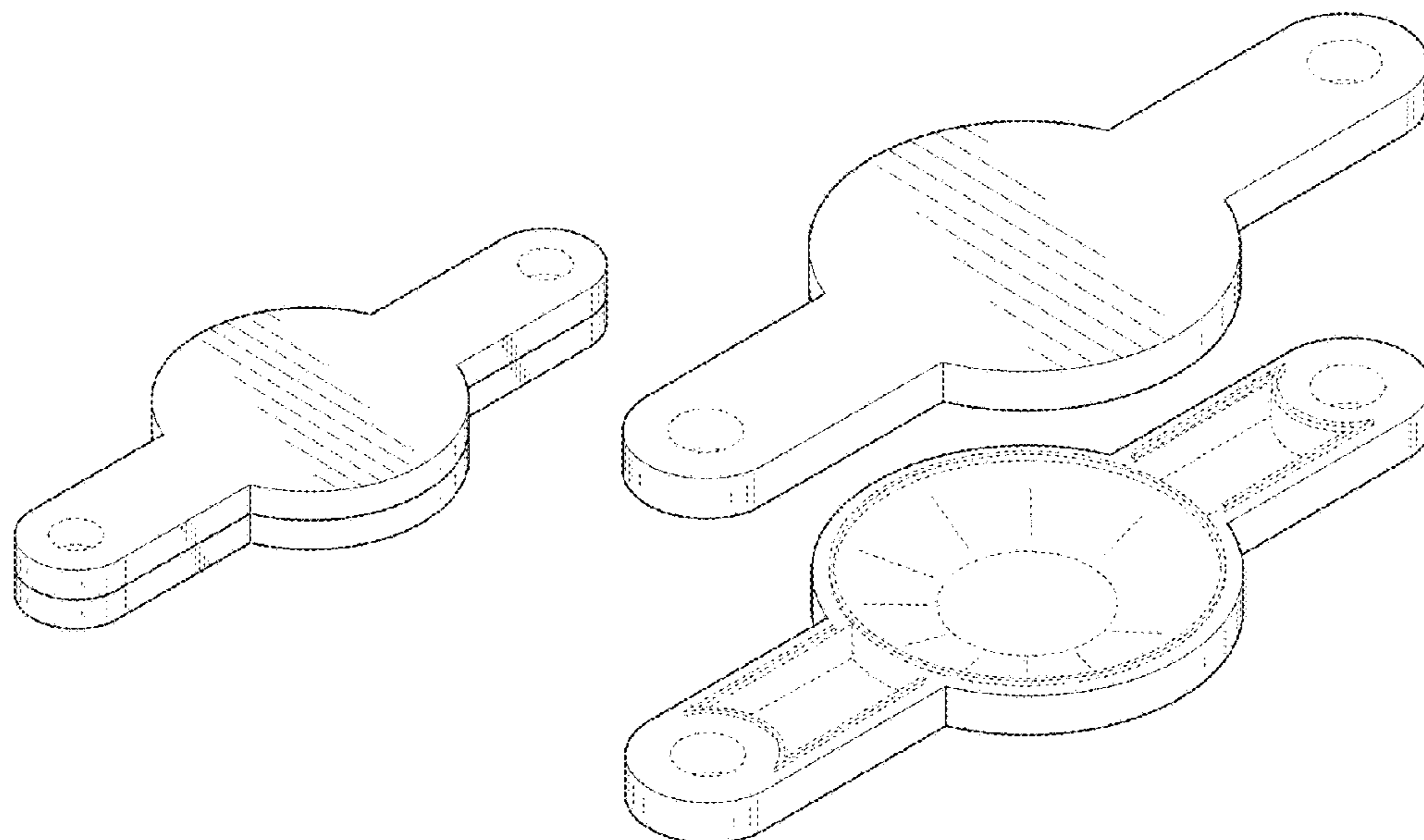
FIG. 8 is a bottom view of a top component of the mounting device for a location tracker;

FIG. 9 is an exploded bottom perspective view of the mounting device for a location tracker; and,

FIG. 10 is a perspective view of the mounting device for a location tracker.

The broken lines depict portions of the mounting device for a location tracker that form no part of the claimed design. The dot-dot-dash broken lines in FIGS. 9 and 10 depict environment and form no part of the claimed design.

1 Claim, 4 Drawing Sheets



(58) **Field of Classification Search**

USPC ... D3/271.2, 271.3, 273, 289–296, 298, 299,
 D3/301–316, 901, 903; D7/601–604,
 D7/609, 619.1, 619.2, 631–633, 635, 637;
 D9/414, 420–423, 434, 435, 499, 600,
 D9/605, 614, 621, 622, 700, 701;
 D13/108; D14/509–511, 203.4, 203.6,
 D14/205; D24/224–227
 CPC A45D 29/20; A45D 44/18; A45F 3/48;
 A45C 11/00; A45C 11/005; A45C 11/008;
 A45C 11/04; A45C 11/043; A45C 11/046;
 A45C 11/08; A45C 11/14; A45C 11/182;
 A45C 11/24; A45C 11/26; A45C 11/32;
 A45C 11/321; A45C 11/34; A45C 11/36;
 A45C 2011/001; A45C 2011/002; A45C
 2011/003; A45C 2011/006; A45C
 2011/007; A45C 2011/188; A45C
 2011/322; A45C 2011/323; A45C
 2011/324; A45C 2011/325; A45C
 2011/326; A45C 2011/327; A45C
 2011/329

See application file for complete search history.

(56) **References Cited**

U.S. PATENT DOCUMENTS

D199,672 S * 12/1964 Sheldon D3/290
 D213,253 S * 1/1969 Moore D3/207
 D220,861 S * 6/1971 Brefka et al. D3/256
 3,955,725 A * 5/1976 Rese A45F 5/00
 224/245
 D258,626 S * 3/1981 Dembicks D3/269
 D290,056 S * 5/1987 Hatfield D32/46
 D318,952 S * 8/1991 Stillwagon D3/207
 D342,448 S * 12/1993 Ritcey D9/443
 5,713,232 A * 2/1998 Hodge A44B 15/005
 30/169
 D393,362 S * 4/1998 Byers D3/204
 D395,953 S * 7/1998 Weyrauch D7/369
 D418,971 S * 1/2000 Scungio D3/207
 D421,522 S * 3/2000 Chang D3/208
 D424,295 S * 5/2000 Yao D3/271.1
 D439,038 S * 3/2001 Hinkle D3/211
 D440,135 S * 4/2001 Vaught D8/40
 D456,986 S * 5/2002 Truisi D3/208

D519,312 S * 4/2006 Tsai D6/407
 D526,479 S * 8/2006 Brandenburg
 D542,032 S * 5/2007 Williams D3/269
 D561,470 S * 2/2008 Jalet
 D604,038 S * 11/2009 Downing D3/207
 D609,006 S * 2/2010 Orion D3/263
 D618,547 S * 6/2010 Manning et al.
 D630,835 S * 1/2011 Easley et al.
 D658,875 S * 5/2012 Xiang D3/269
 D684,015 S * 6/2013 Sanders D7/619.1
 D705,533 S * 5/2014 Tunney D3/207
 D707,442 S * 6/2014 Ventrello D3/208
 D746,058 S * 12/2015 Serell
 D774,760 S * 12/2016 Martinetti
 D776,162 S * 1/2017 Beck D14/496
 D789,752 S * 6/2017 Zmrhal D7/607
 D816,994 S * 5/2018 Fischer et al.
 D866,165 S * 11/2019 Luo et al.
 D890,513 S * 7/2020 Cole D3/208
 D905,962 S * 12/2020 Kiefiuk et al.
 D907,363 S * 1/2021 Distefano
 D913,692 S * 3/2021 Kim D3/264
 D934,817 S * 11/2021 Svård D13/168
 D936,360 S * 11/2021 Schilling D3/903
 2021/0327552 A1 * 10/2021 Jones G09F 3/0311

FOREIGN PATENT DOCUMENTS

CN 306987842 * 12/2021
 CN 307432459 * 7/2022
 GB 6007683 * 2/2017
 JP D1516574 * 2/2015

OTHER PUBLICATIONS

AirTag Bike Mount Holder, available at amazon.com, earliest date available May 17, 2021 [online], site visited Sep. 13, 2022, available from the internet URL: <https://www.amazon.com/Bracket-Attachment-Included-Standard-Accessory/dp/B0954RVTBL?th=1> (Year: 2021).*

Muc-Off Secure Tag Holder, available at redmonkey.com, earliest customer review date Jul. 2022 [online], site visited Sep. 13, 2022, available from the internet URL: <https://www.redmonkeysports.com/products/muc-off-secure-tag-holder?> (Year: 2022).*

Bike Tag Bottle Mount for AirTag, available at itslaut.eu, date not available [online], site visited Sep. 13, 2022, available from the internet URL: <https://www.itslaut.eu/products/bike-tag-bottle-mount-for-airtag> (Year: 2022).*

* cited by examiner

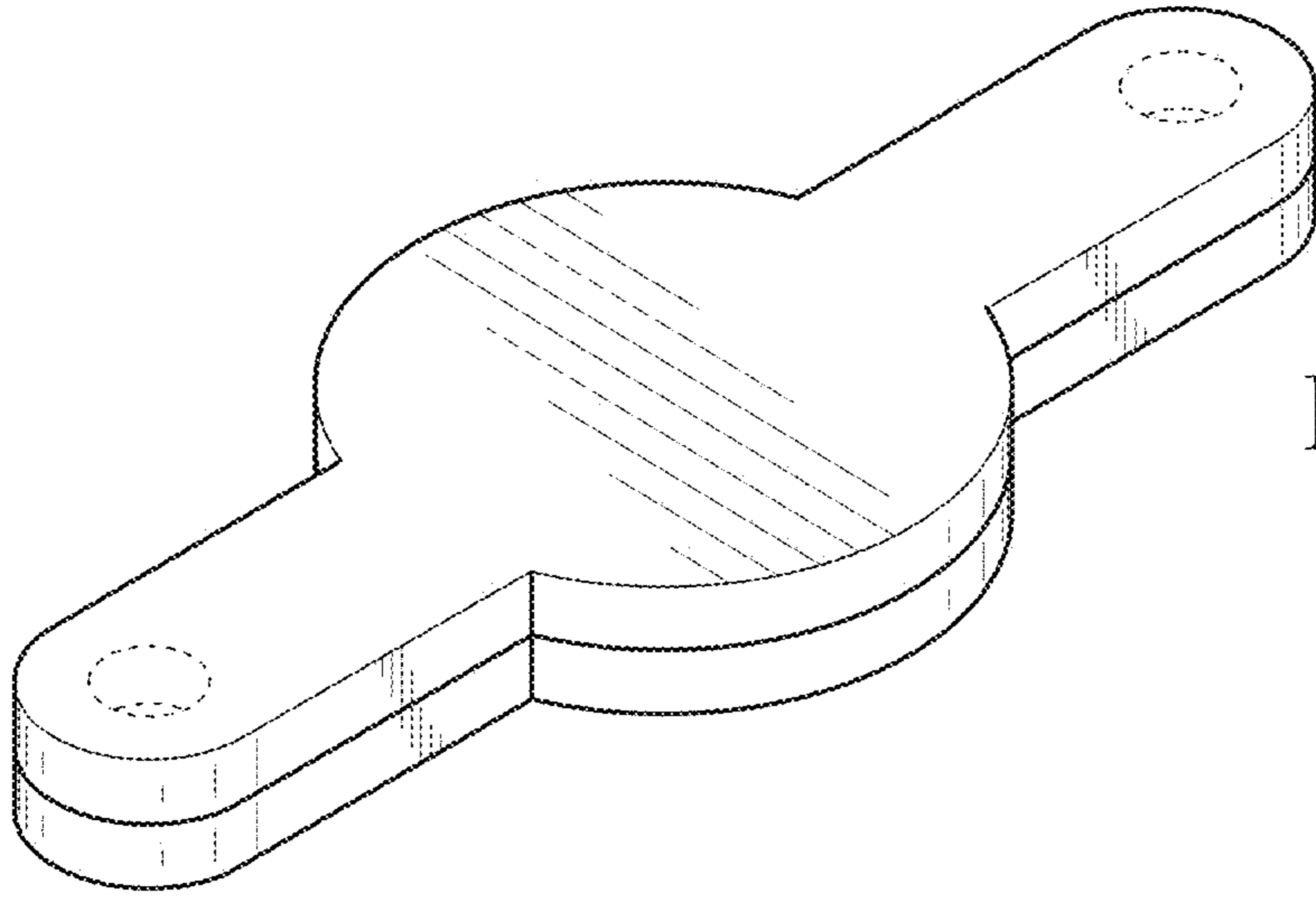


FIG. 1

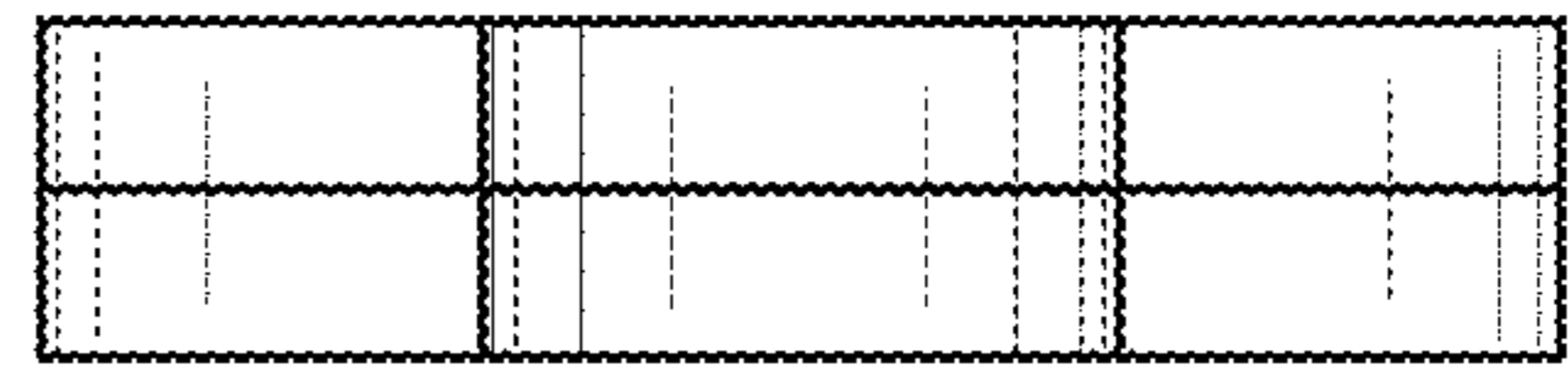


FIG. 2

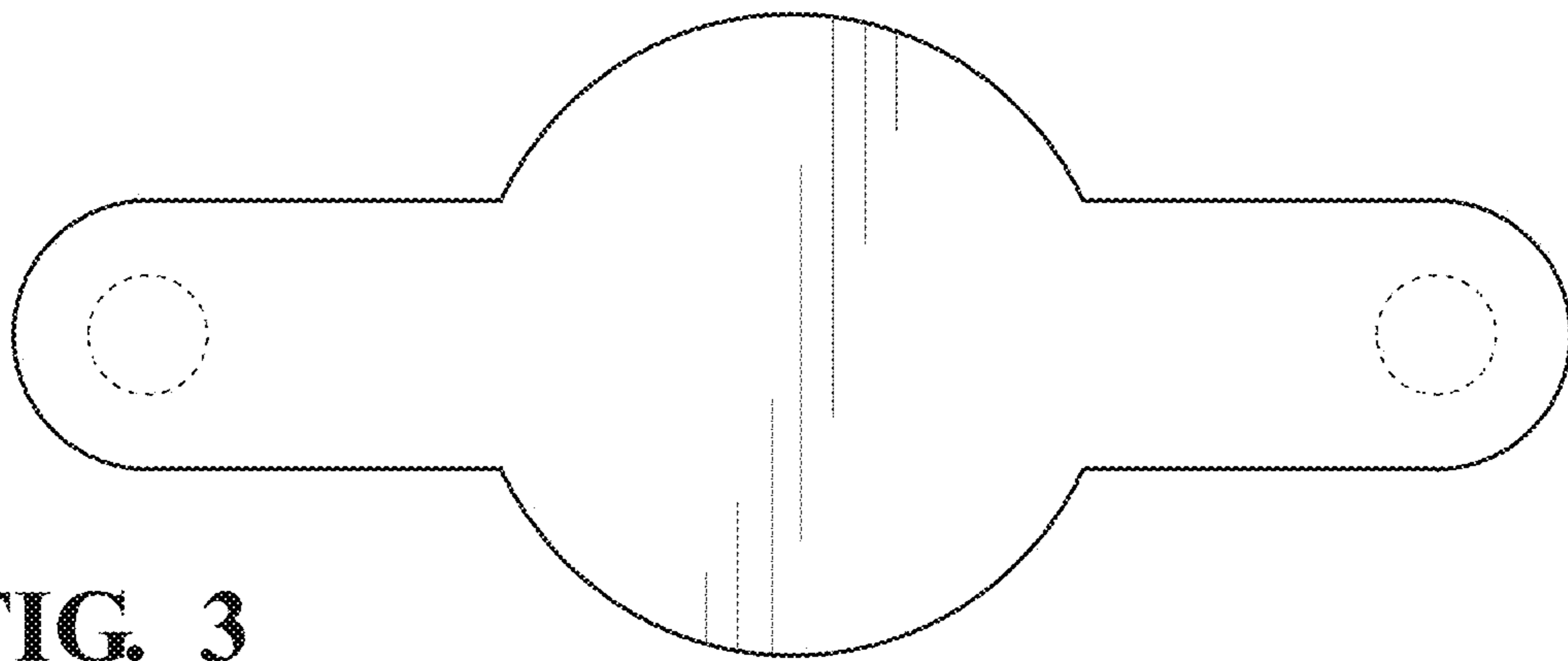


FIG. 3



FIG. 4

FIG. 5

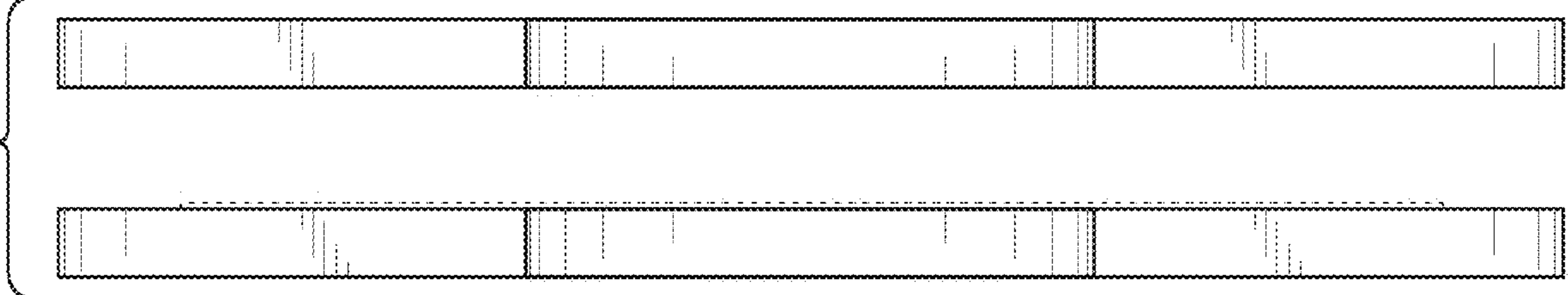
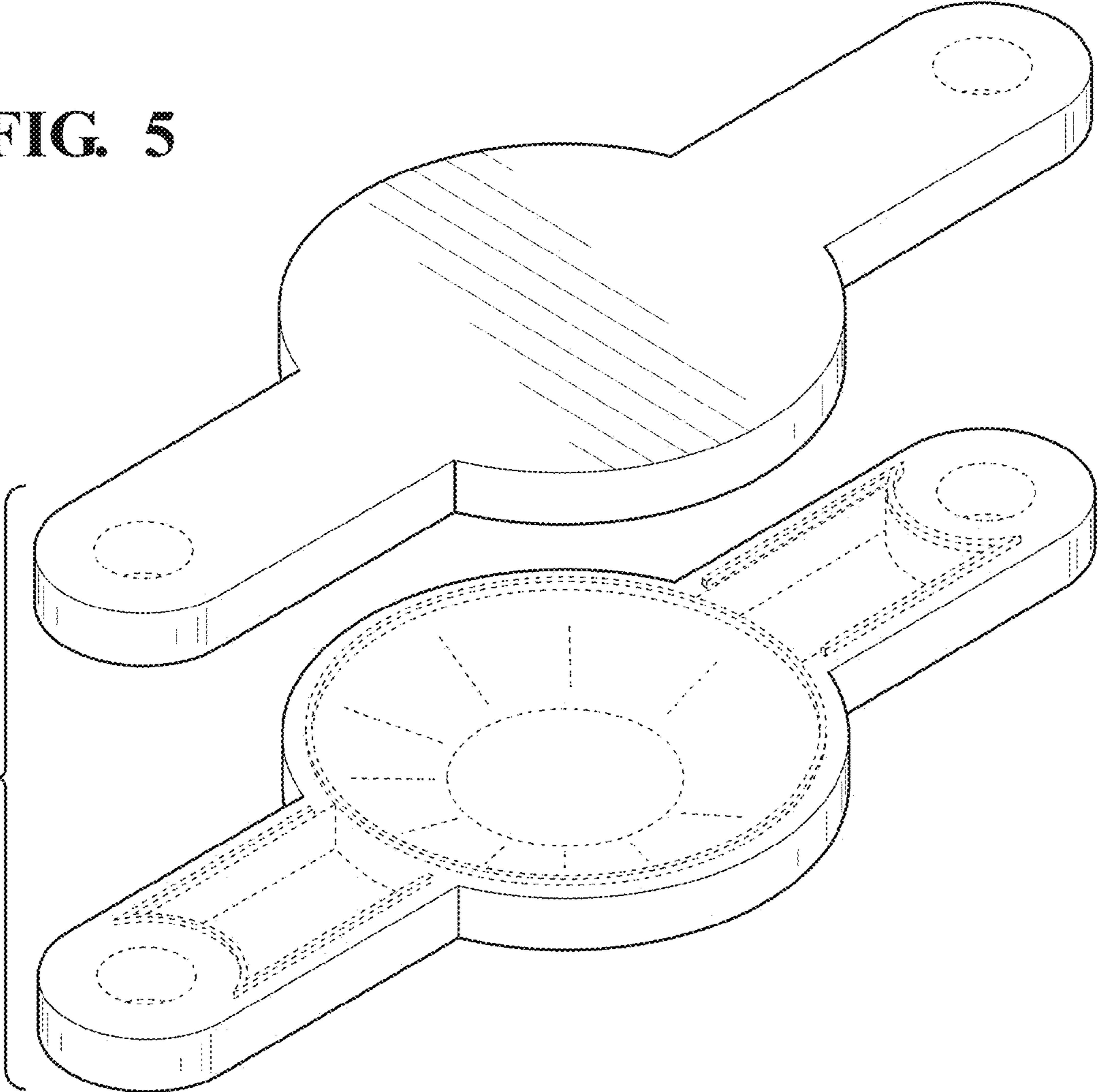


FIG. 6

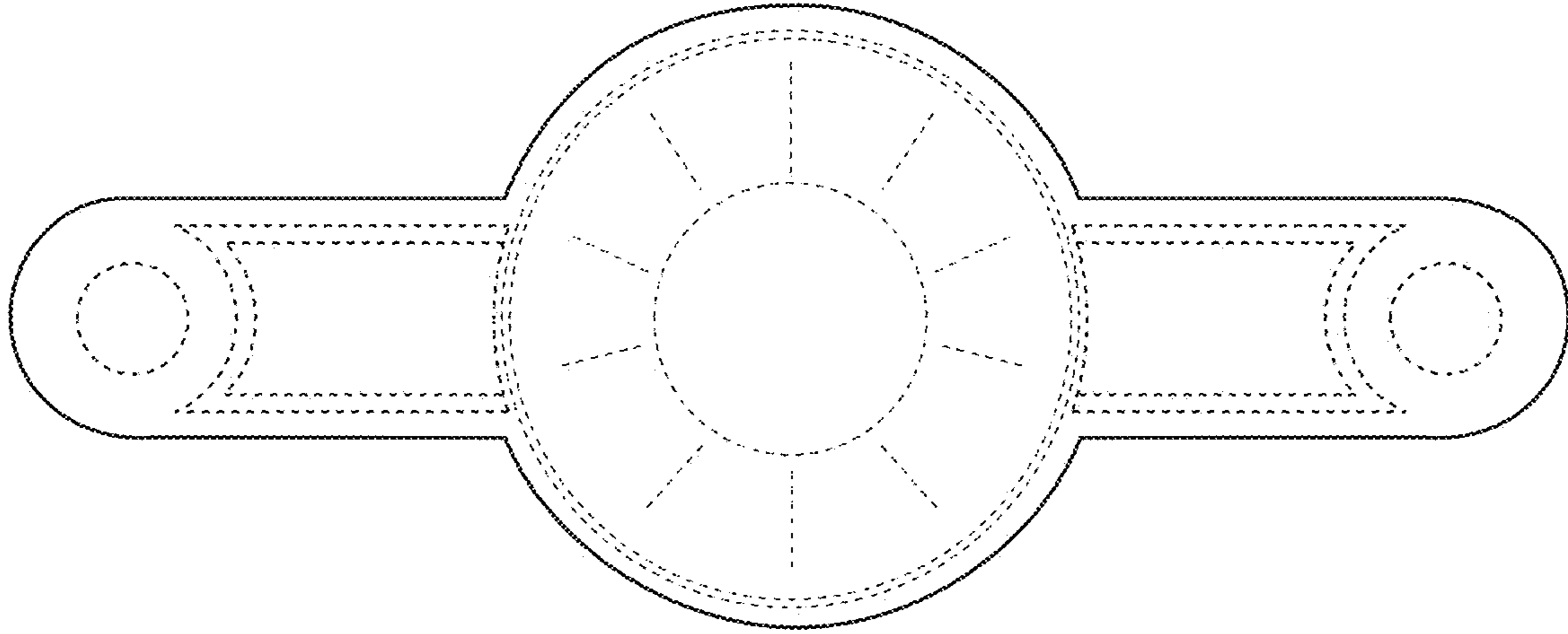


FIG. 7

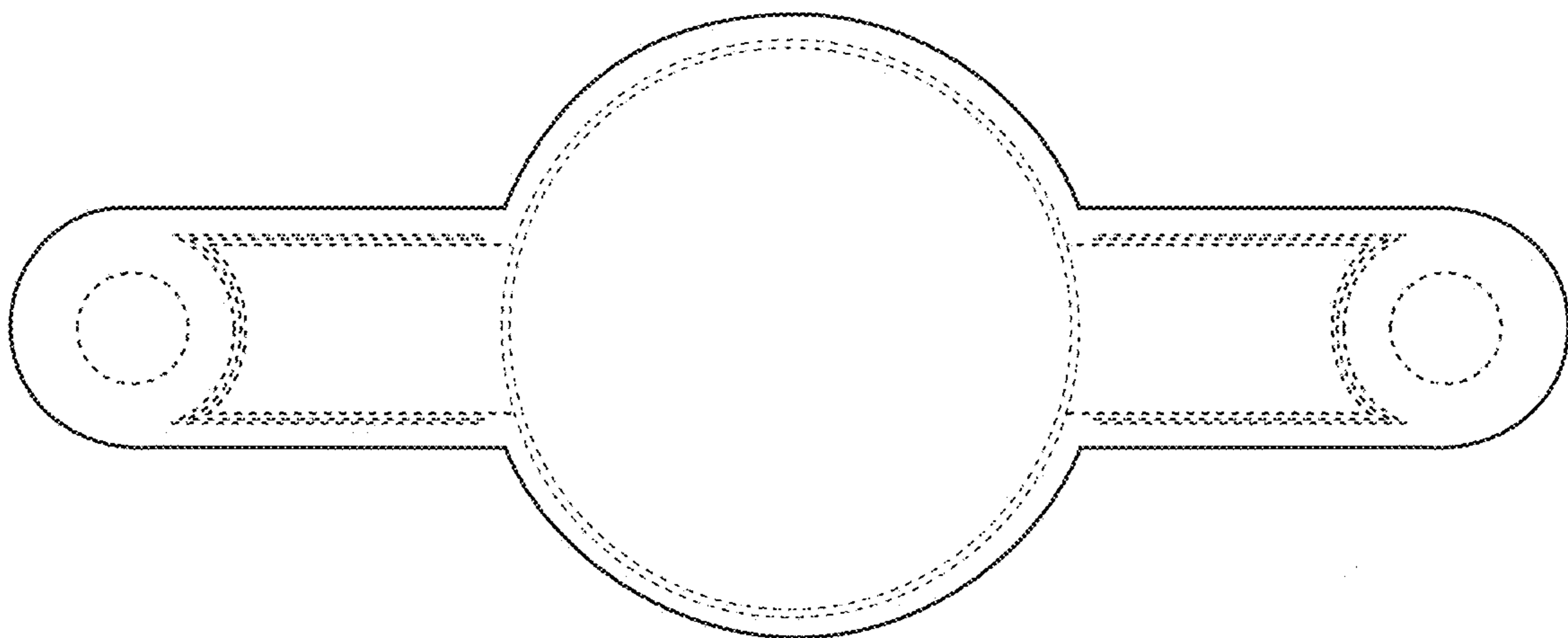


FIG. 8

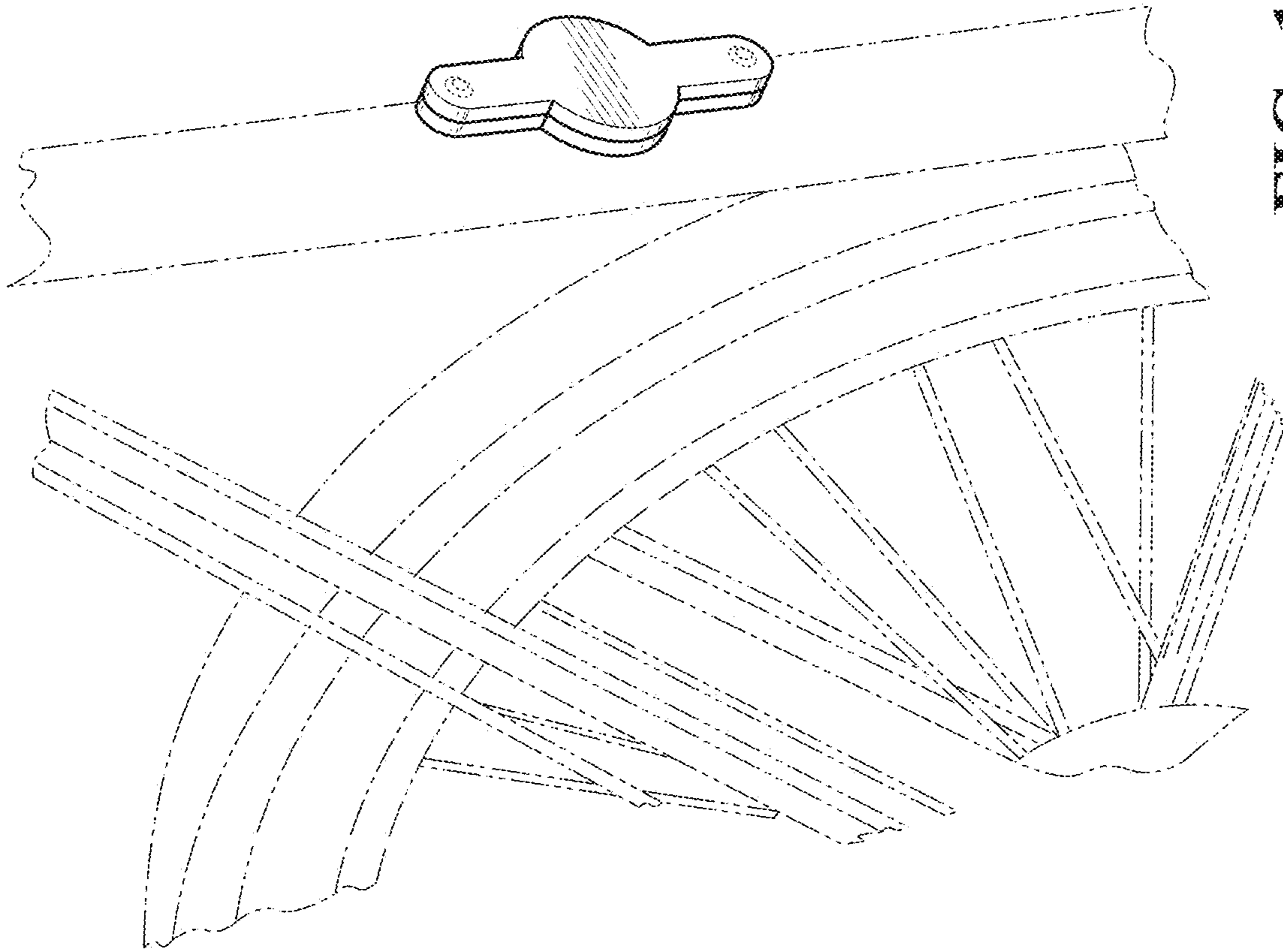


FIG. 10

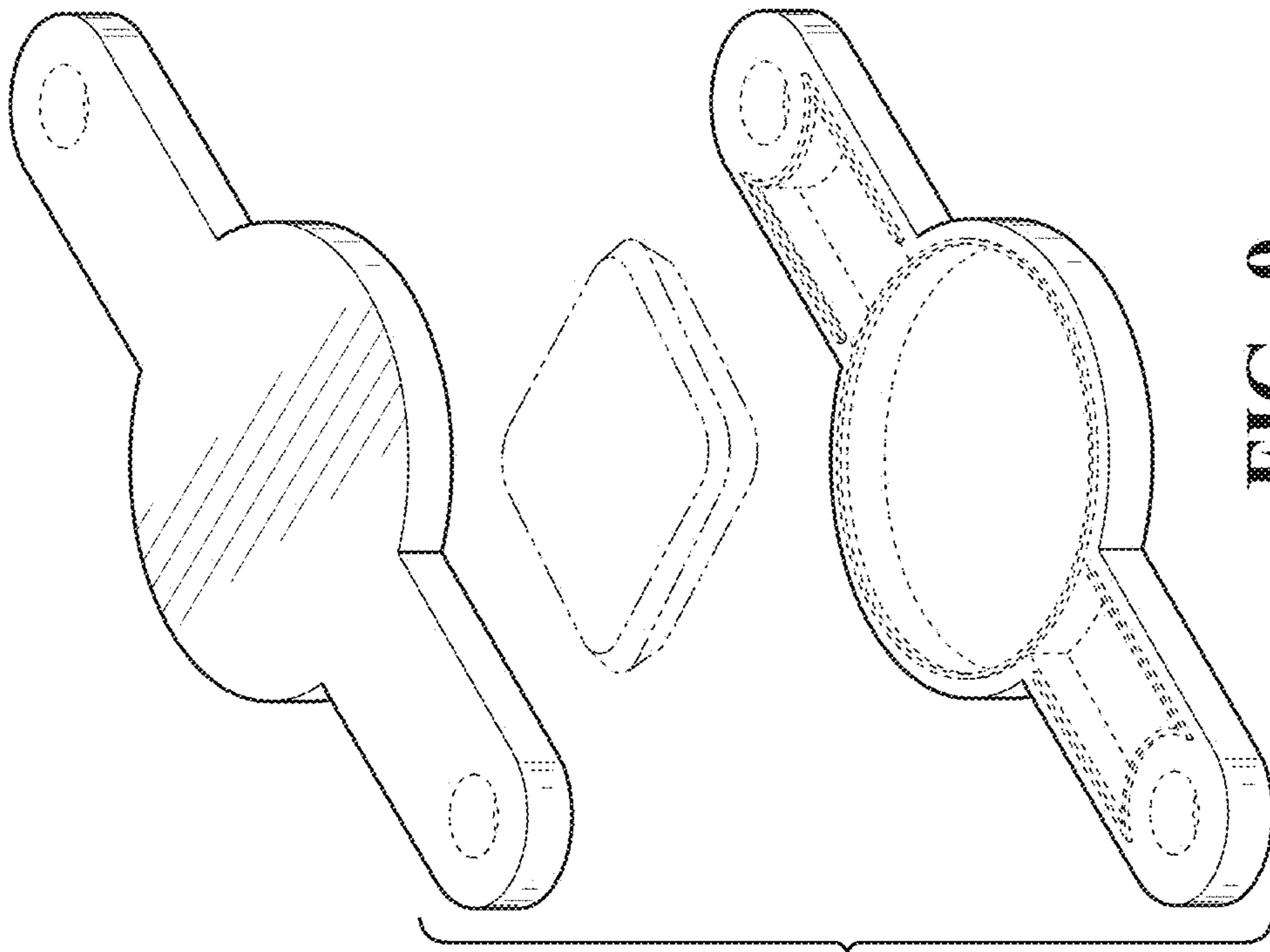


FIG. 9