



US00D975446S

(12) **United States Design Patent** (10) **Patent No.:** **US D975,446 S**
Myers (45) **Date of Patent:** **** Jan. 17, 2023**

(54) **TRIPOD BAG**

(71) Applicant: **Judith Myers**, Cheyenne, WY (US)

(72) Inventor: **Judith Myers**, Cheyenne, WY (US)

(**) Term: **15 Years**

(21) Appl. No.: **29/724,459**

(22) Filed: **Feb. 14, 2020**

(51) **LOC (14) Cl.** **03-01**

(52) **U.S. Cl.**
USPC **D3/300**

(58) **Field of Classification Search**
USPC D3/201, 232, 263, 267, 268, 300, 301,
D3/303

CPC A45F 2005/008; A45F 3/005; A45C 11/22;
A45C 13/008

See application file for complete search history.

(56) **References Cited**

U.S. PATENT DOCUMENTS

D139,383	S *	11/1944	Lampl	D3/300
4,114,667	A	9/1978	Son		
4,561,576	A	12/1985	Lowe et al.		
4,923,060	A	5/1990	Breslau		
4,927,017	A	5/1990	Easter		
D334,689	S *	4/1993	Mason	D3/202
D348,356	S *	7/1994	Nemoto	D3/263
5,458,278	A	10/1995	LaConte		
6,263,610	B1	7/2001	Doubts, Jr.		
D449,445	S *	10/2001	Arthur	D3/300
D478,726	S *	8/2003	Masso	D3/269
D512,222	S *	12/2005	Sezgin	D3/205
D588,360	S *	3/2009	Scott	D3/260
8,910,844	B2	12/2014	Rowe et al.		
D737,052	S *	8/2015	James	A61F 5/3723 D3/300
2015/0175310	A1 *	6/2015	Lassoff	B65D 25/2885 220/754
2015/0208790	A1	7/2015	Pylkovas		

(Continued)

OTHER PUBLICATIONS

Vivitar 35" Deluxe Tripod Carrying Case Bag with Strap—VIV-TC-35, announced Oct. 18, 2012 [online][site visited Apr. 27, 2022]. Available from internet, URL: <https://www.amazon.com/Vivitar-Deluxe-Tripod-Carrying-Strap/dp/B009SNJ4M0/> (Year: 2012).*

Primary Examiner — Kevin K Rudzinski

Assistant Examiner — Amber J Rabie

(74) *Attorney, Agent, or Firm* — Antoinette M. Tease

(57) **CLAIM**

The ornamental design for a tripod bag, as shown and described.

DESCRIPTION

FIG. 1 is a perspective view of a tripod bag showing the new design.

FIG. 2 is a front view of a tripod bag showing the new design.

FIG. 3 is a rear view of a tripod bag showing the new design.

FIG. 4 is a first side view of a tripod bag showing the new design.

FIG. 5 is a second side view of a tripod bag showing the new design.

FIG. 6 is a top view of a tripod bag showing the new design.

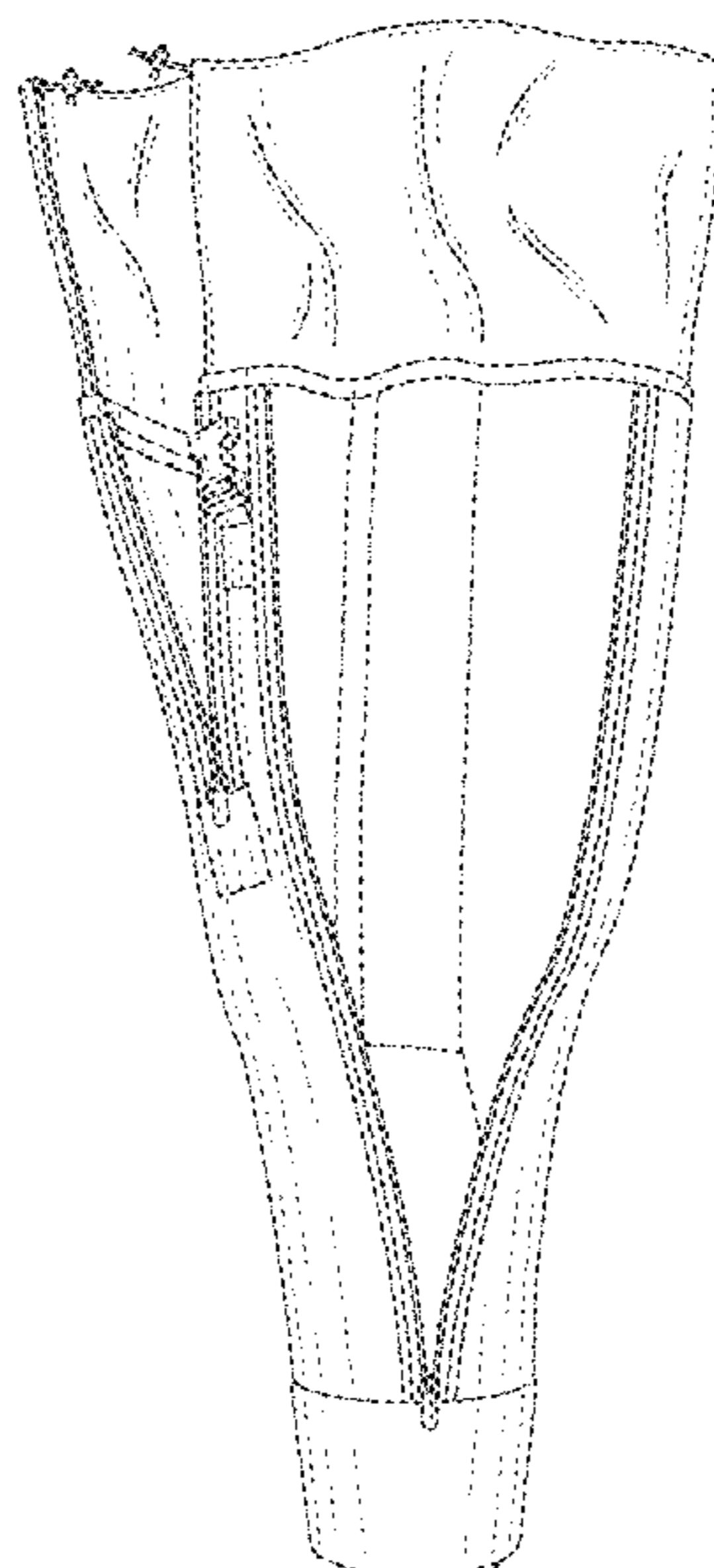
FIG. 7 is a bottom view of a tripod bag showing the new design.

FIG. 8 is a first perspective view of a tripod bag showing the new design with the bag unzipped and the internal liner extended; and,

FIG. 9 is a second perspective view of a tripod bag showing the new design with the bag unzipped and the internal liner extended.

The broken lines in the drawings represent portions the tripod bag that form no part of the claim.

1 Claim, 8 Drawing Sheets



(56)

References Cited

U.S. PATENT DOCUMENTS

2016/0018718 A1 1/2016 Jones
2017/0023850 A1 1/2017 Jones
2017/0143046 A1* 5/2017 Giannakakis A61F 5/3723

* cited by examiner

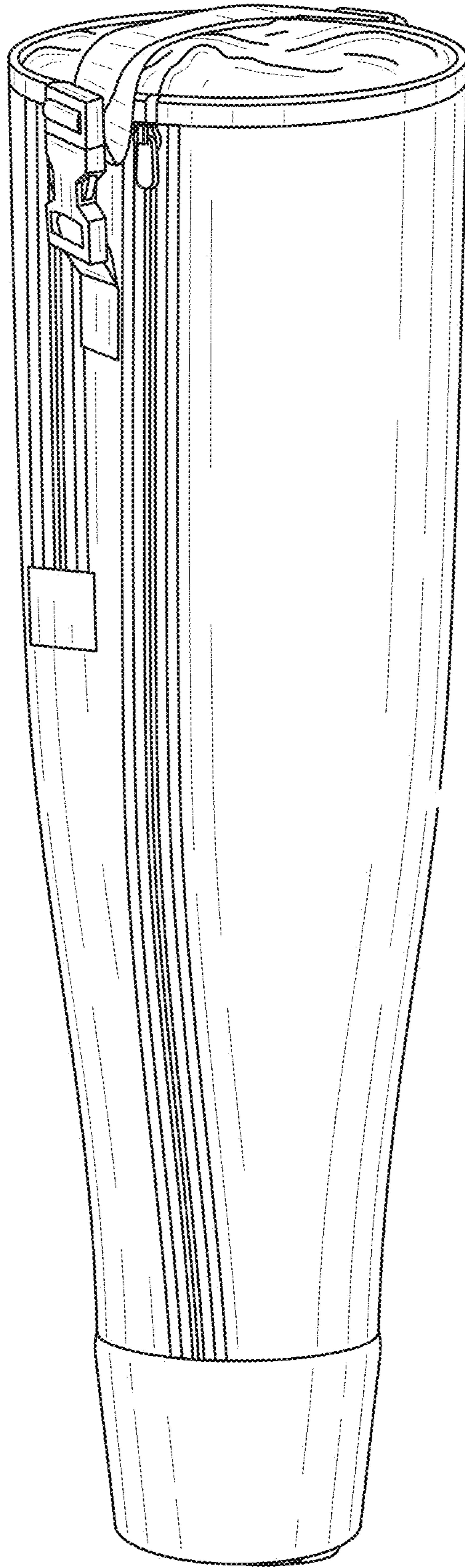


FIG. 1

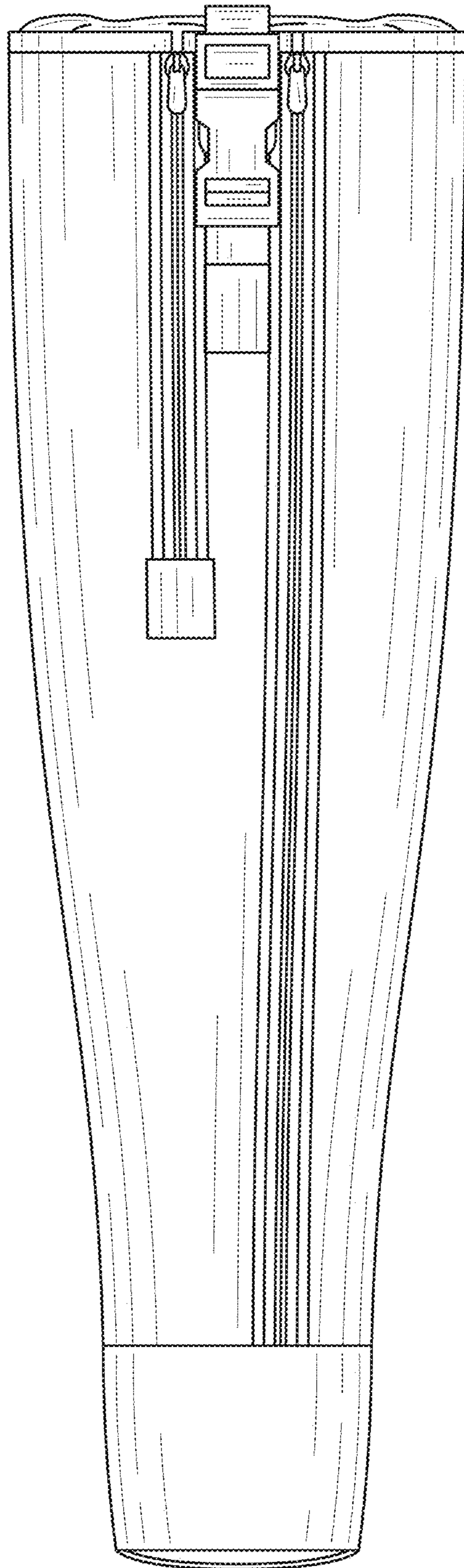


FIG. 2

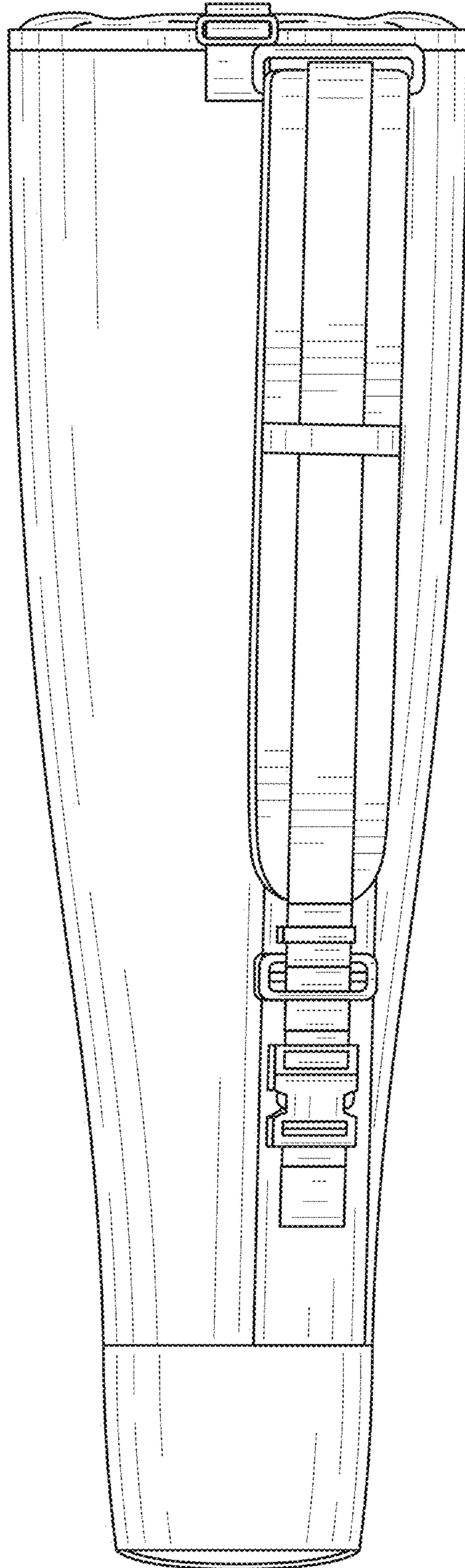


FIG. 3

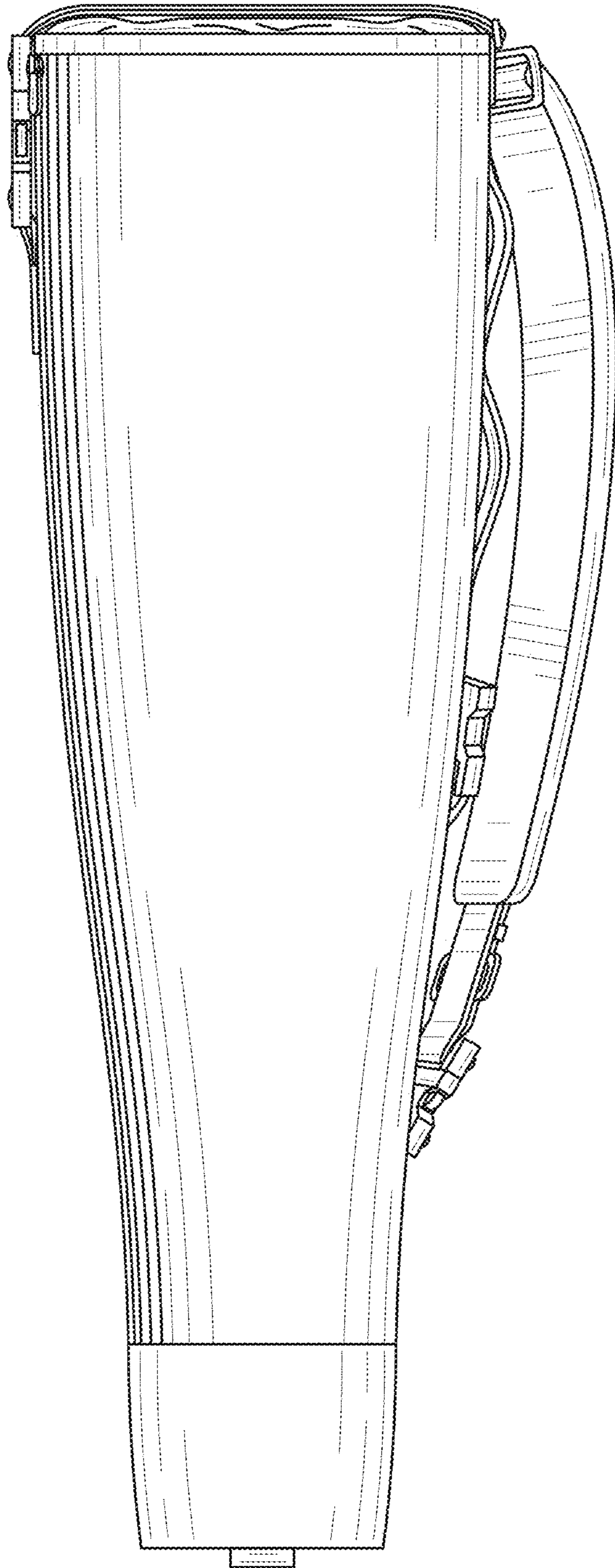


FIG. 4

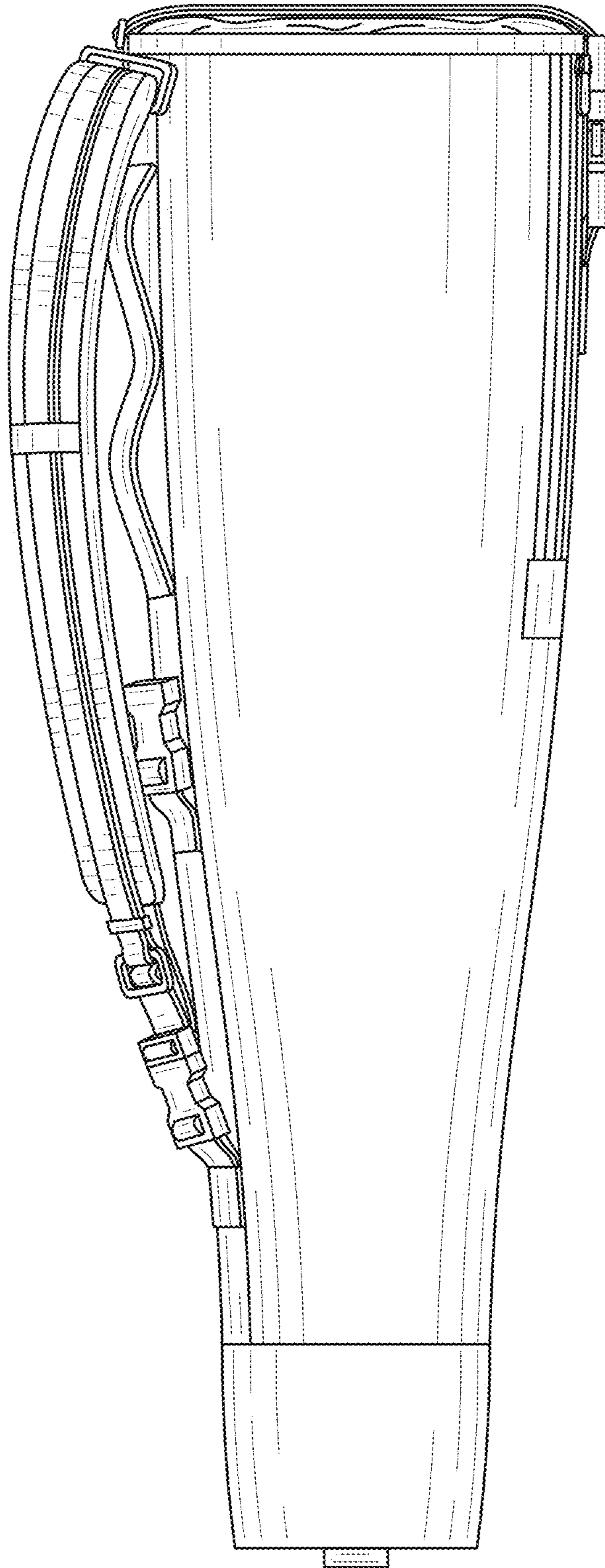


FIG. 5

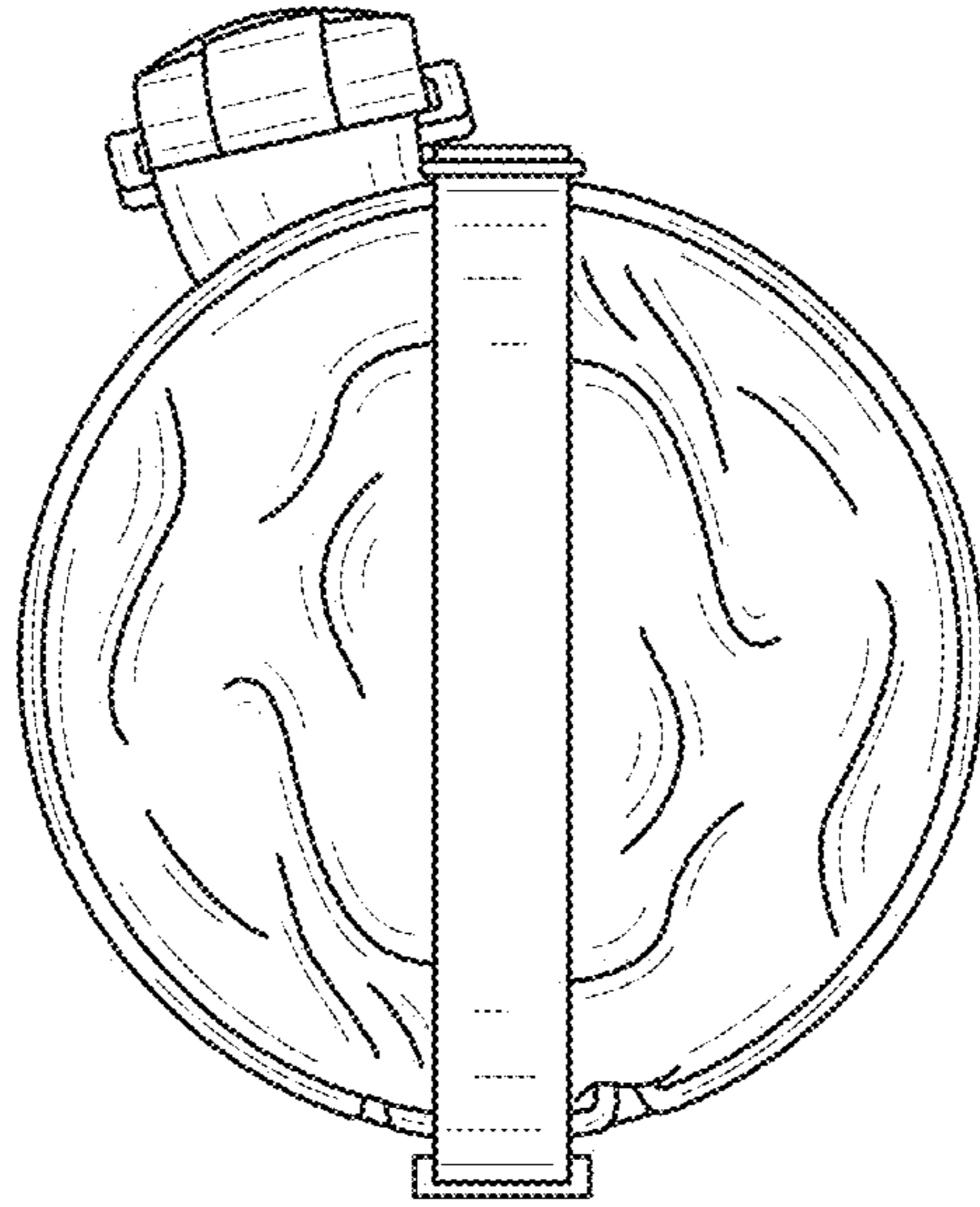


FIG. 6

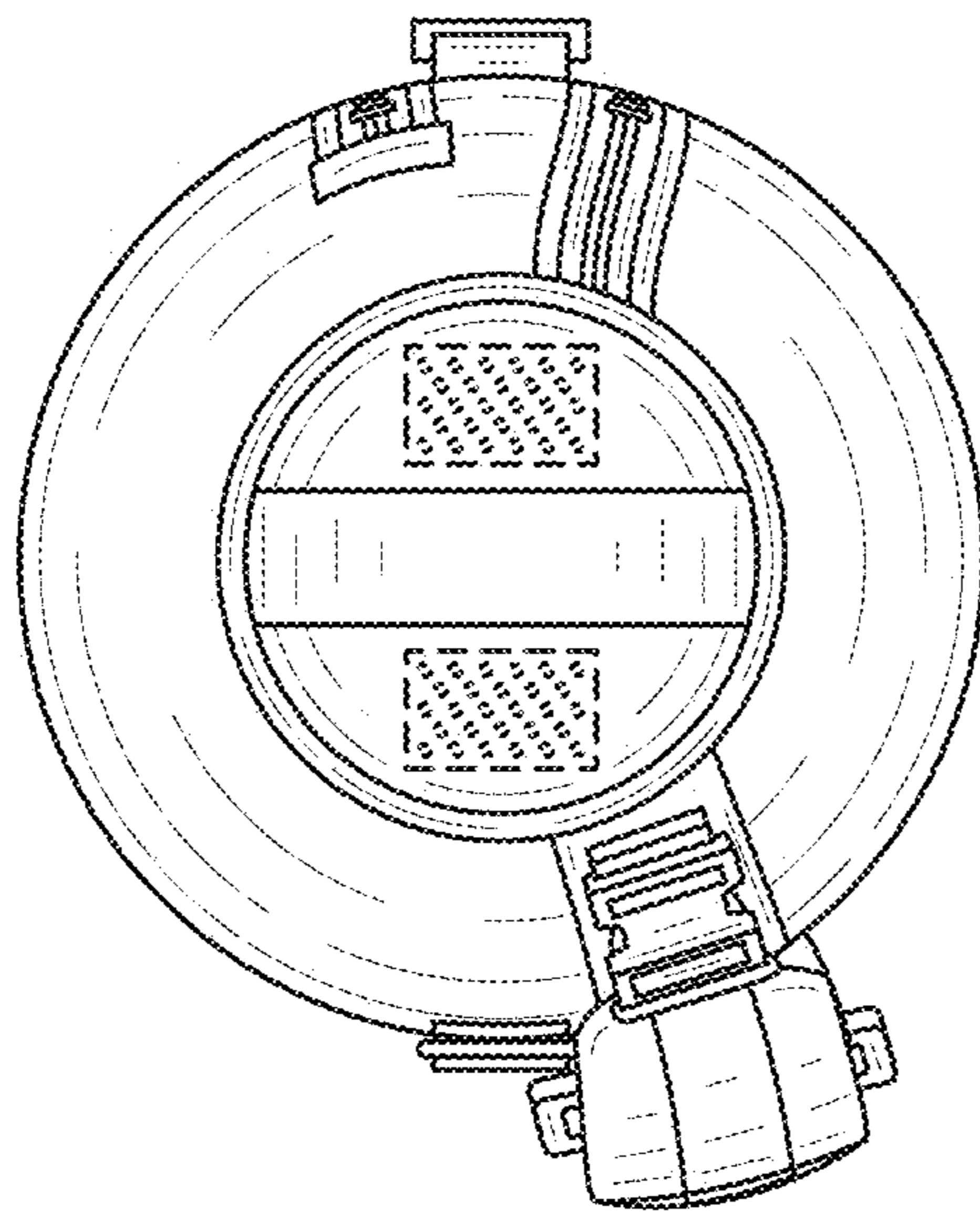
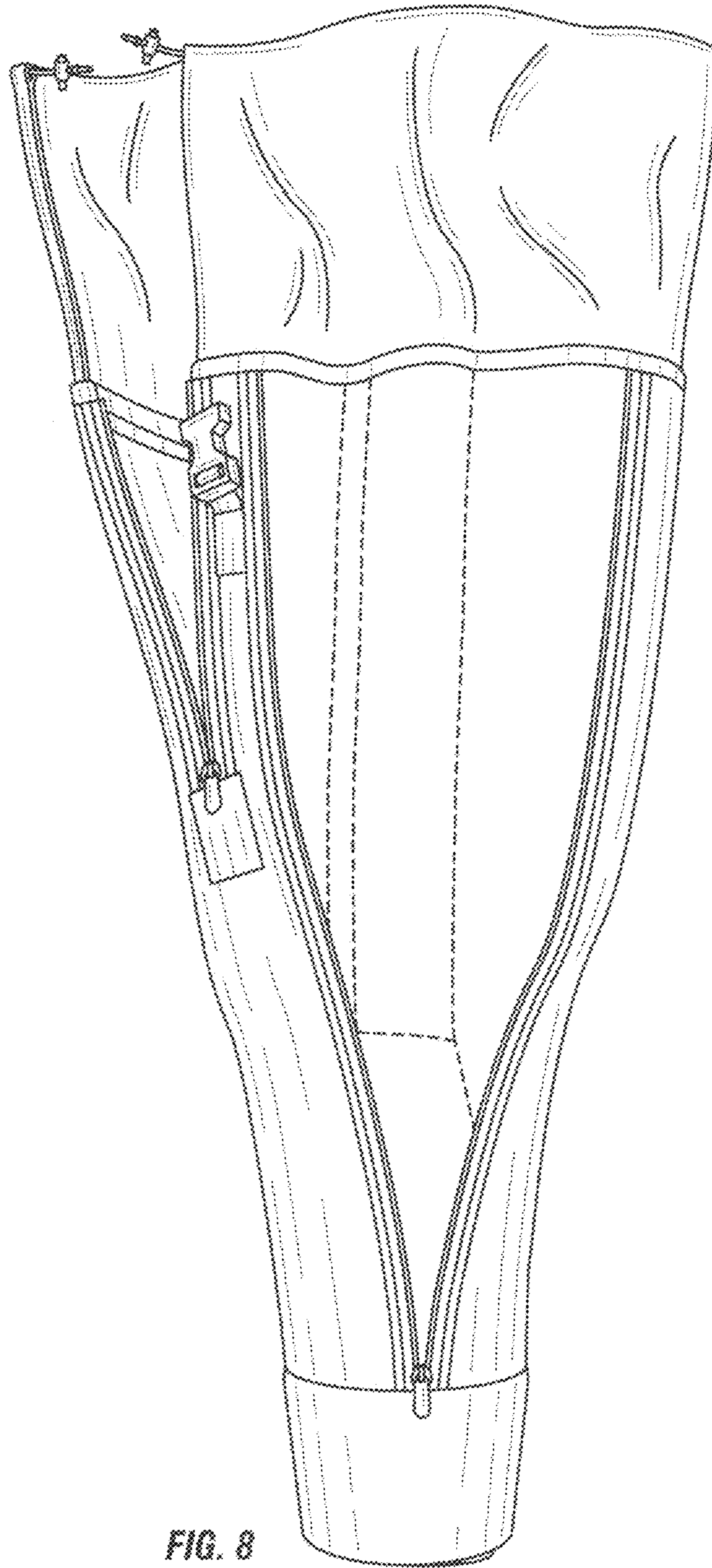


FIG. 7



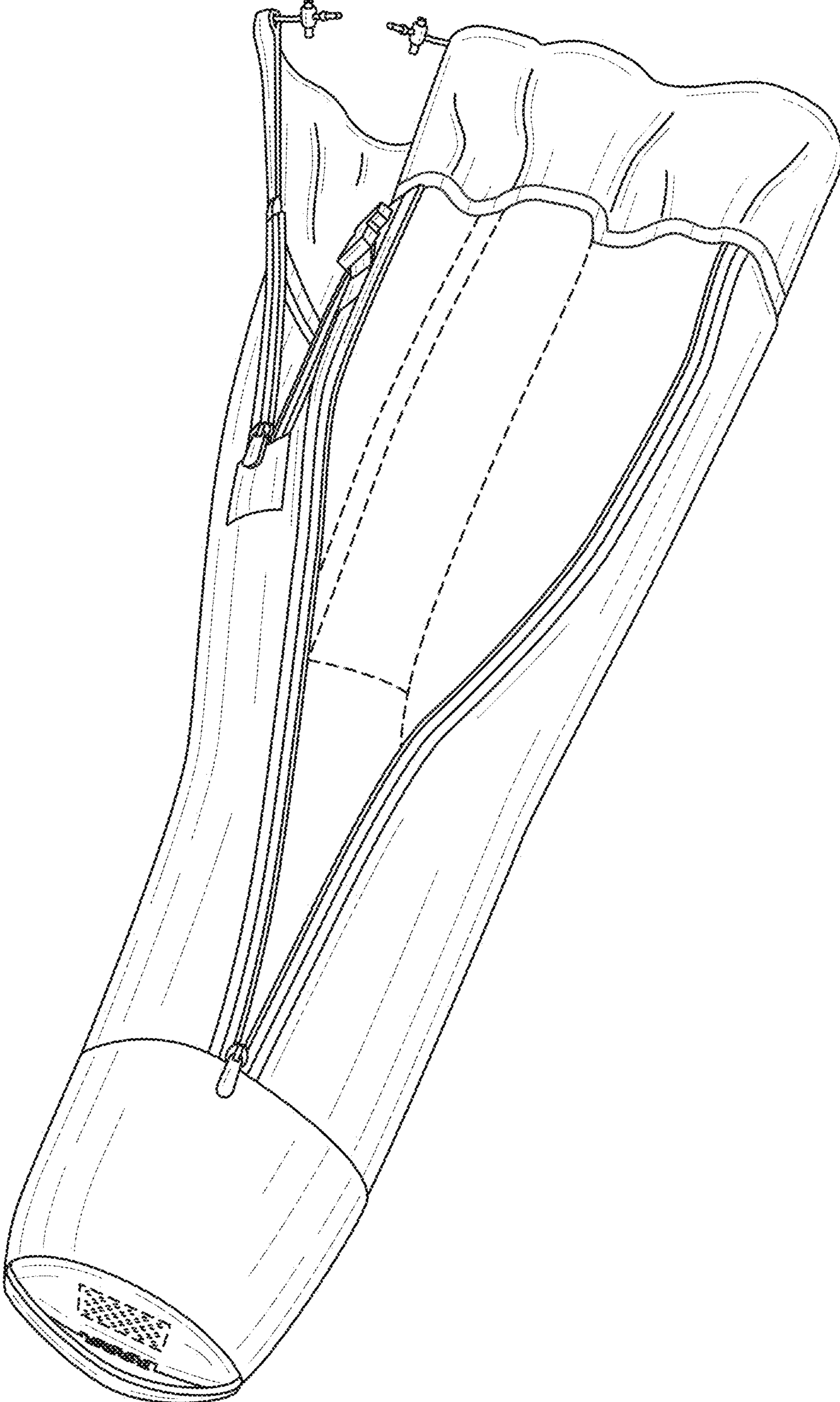


FIG. 9