



US00D975444S

(12) **United States Design Patent** (10) **Patent No.:** **US D975,444 S**
Wang (45) **Date of Patent:** **** Jan. 17, 2023**

(54) **MAKEUP BOX TOY**

OTHER PUBLICATIONS

(71) Applicant: **Ruibin Wang**, Shantou (CN)

Amazon, "KIDs Makeup Kit for Girl—57 Pcs . . . ", First reviewed Aug. 17, 2022. (<https://www.amazon.com/dp/B09Z1X7KMK/>) (Year: 2022).*

(72) Inventor: **Ruibin Wang**, Shantou (CN)

(Continued)

(**) Term: **15 Years**

Primary Examiner — April Rivas

(21) Appl. No.: **29/840,098**

(74) Attorney, Agent, or Firm — Rumi Ranjit Kanakia

(22) Filed: **May 26, 2022**

(57) **CLAIM**

(30) **Foreign Application Priority Data**

The ornamental design for a makeup box toy, as shown and described.

Feb. 28, 2022 (CN) 202230097569.X

DESCRIPTION

(51) **LOC (14) Cl.** **03-01**

(52) **U.S. Cl.**
USPC **D3/283**; D3/284; D3/286; D3/291;
D3/901; D3/271.1

(58) **Field of Classification Search**
USPC D3/231, 245, 246, 273, 283, 284, 285,
D3/287, 289, 901, 900, 902, 903, 904,
D3/270, 271.1, 237, 291, 286
CPC A45C 1/02; A45C 2011/003; A45C 3/06;
A45C 15/00; A45D 2040/0012; A45D
40/24; A45D 2200/25
See application file for complete search history.

FIG. 1 is a first perspective view of a makeup box toy showing my new design;
FIG. 2 is a second perspective view thereof;
FIG. 3 is a front view thereof;
FIG. 4 is a back view thereof;
FIG. 5 is a left side view thereof;
FIG. 6 is a right side view thereof;
FIG. 7 is a top view thereof;
FIG. 8 is a bottom view thereof;
FIG. 9 is a perspective view of another state of the makeup box toy thereof;
FIG. 10 is an enlarged view of the selected portion 10 in FIG. 1;
FIG. 11 is an enlarged view of the selected portion 11 in FIG. 1;
FIG. 12 is an enlarged view of the selected portion 12 in FIG. 1; and,
FIG. 13 is an enlarged view of the selected portion 13 in FIG. 1.

(56) **References Cited**

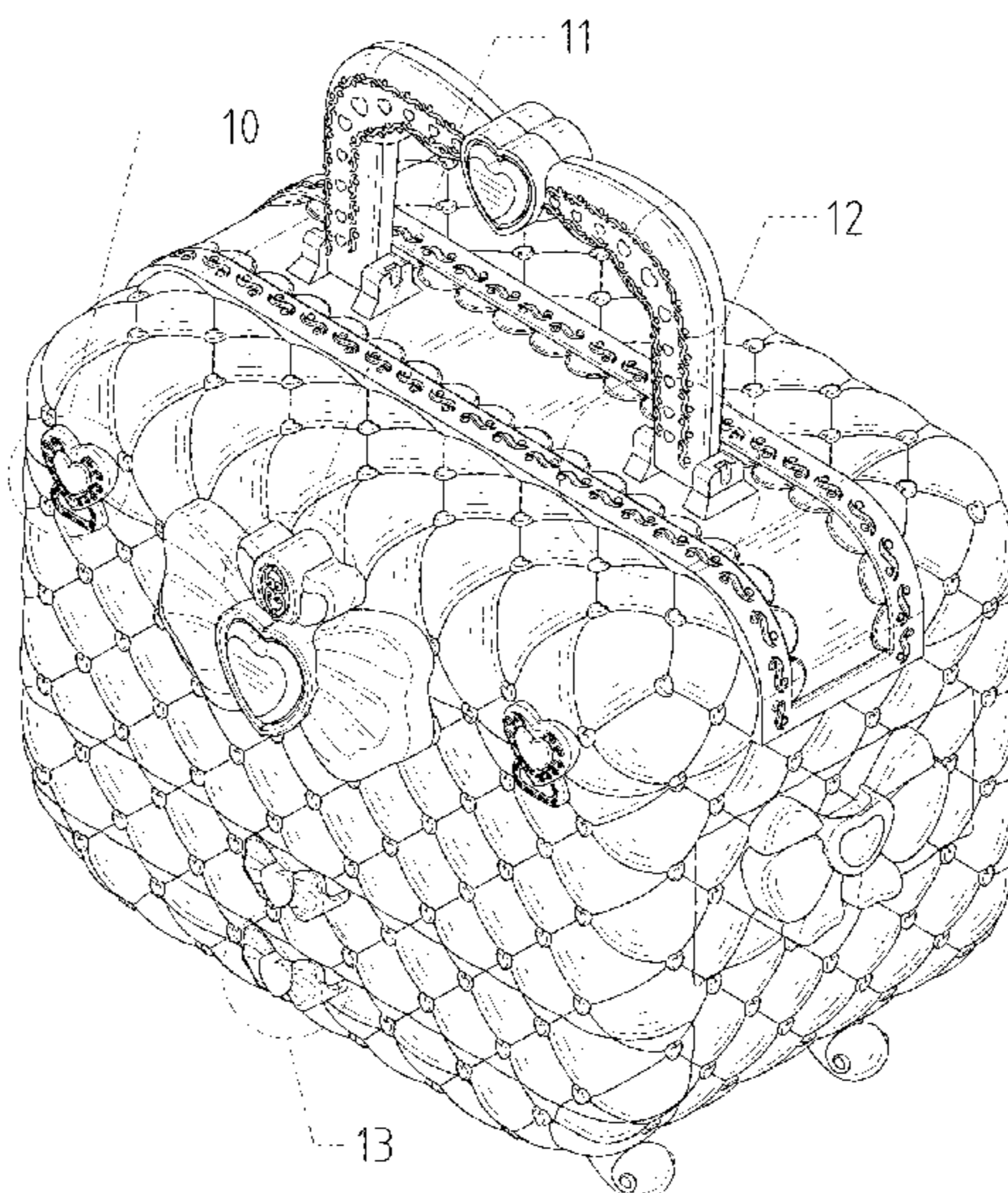
U.S. PATENT DOCUMENTS

D279,625 S * 7/1985 Winslow D3/271.1
D485,067 S * 1/2004 Wolf D3/903
D496,791 S * 10/2004 Perella D3/263
D611,656 S * 3/2010 Lai D28/79
D674,190 S * 1/2013 Wijerama D3/271.1
D734,031 S 7/2015 Gallet
D773,185 S * 12/2016 Beilman D3/901
D817,039 S 5/2018 Adolph et al.
D820,684 S * 6/2018 Egner D9/635
D872,470 S * 1/2020 Beilman D3/901
D872,477 S * 1/2020 Perella D3/901

The dashed broken lines shown in the drawings depict portions of the makeup box toy. The dash-dot broken lines illustrate enlarged views and the locations from which they are taken. None of the broken lines form part of the claimed design.

(Continued)

1 Claim, 13 Drawing Sheets



(56)

References Cited

U.S. PATENT DOCUMENTS

D873,003 S * 1/2020 Beilman D3/901
D895,283 S * 9/2020 Huang D3/901
D897,104 S 9/2020 Dos Santos Lima

OTHER PUBLICATIONS

Amazon.uk, “Chennyfun Kids Makeup Sets for Girls, 53 Pack”, First on sale Sep. 3, 2021. (<https://www.amazon.co.uk/Chennyfun-Makeup-Blush-Set-Kids/dp/B09FDY5TWF>) (Year: 2021).*

* cited by examiner

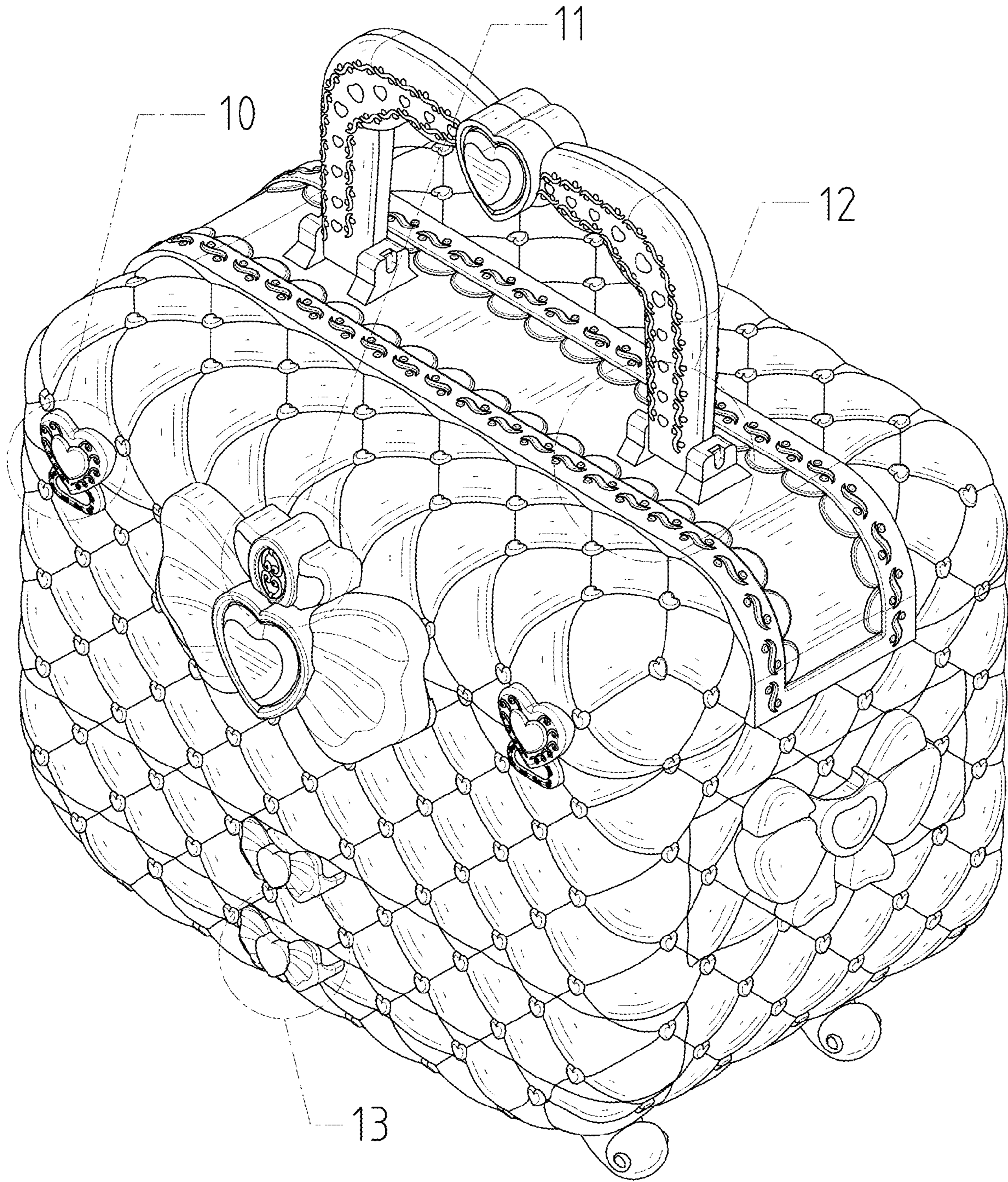


FIG. 1

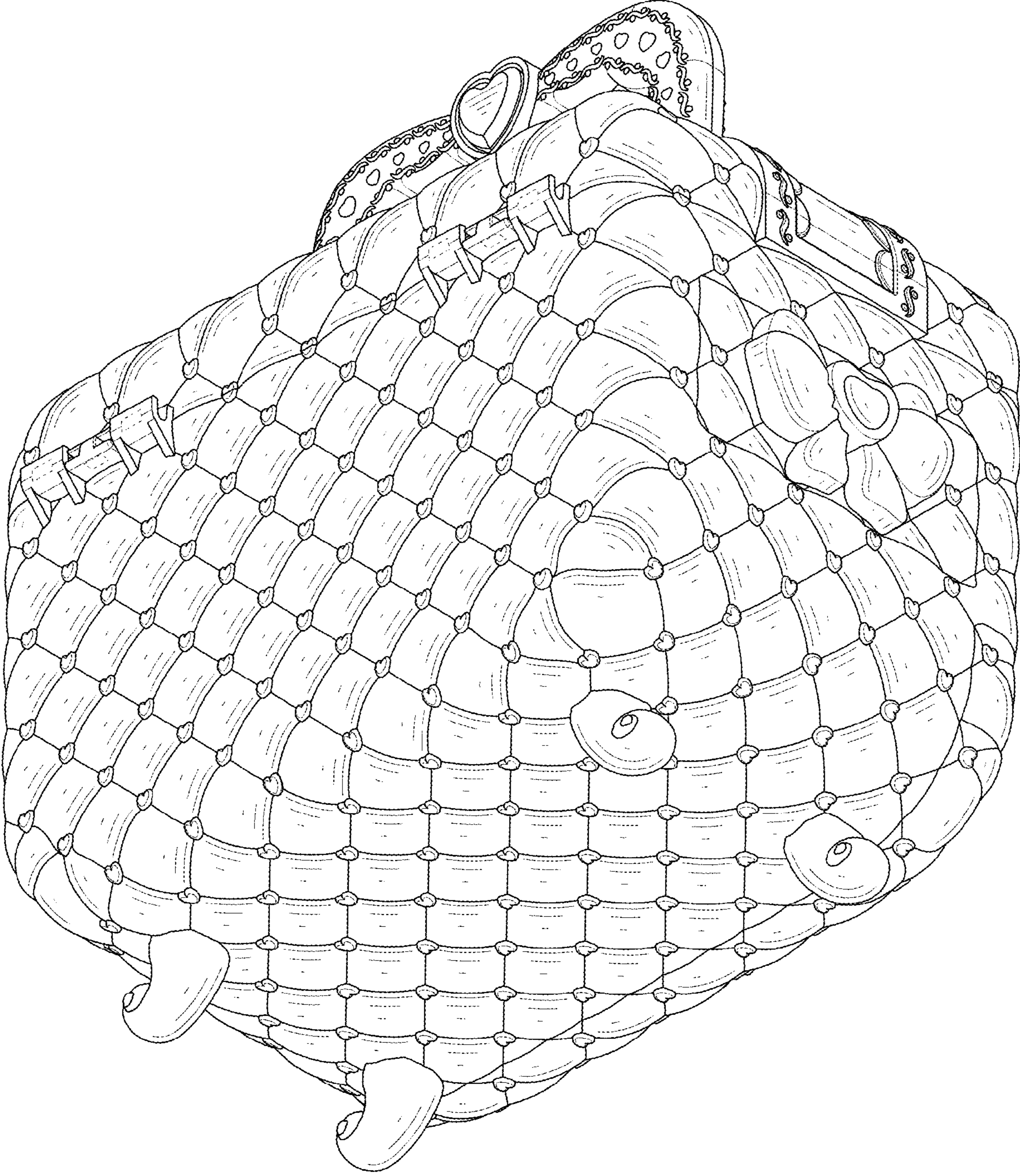


FIG. 2



FIG. 3

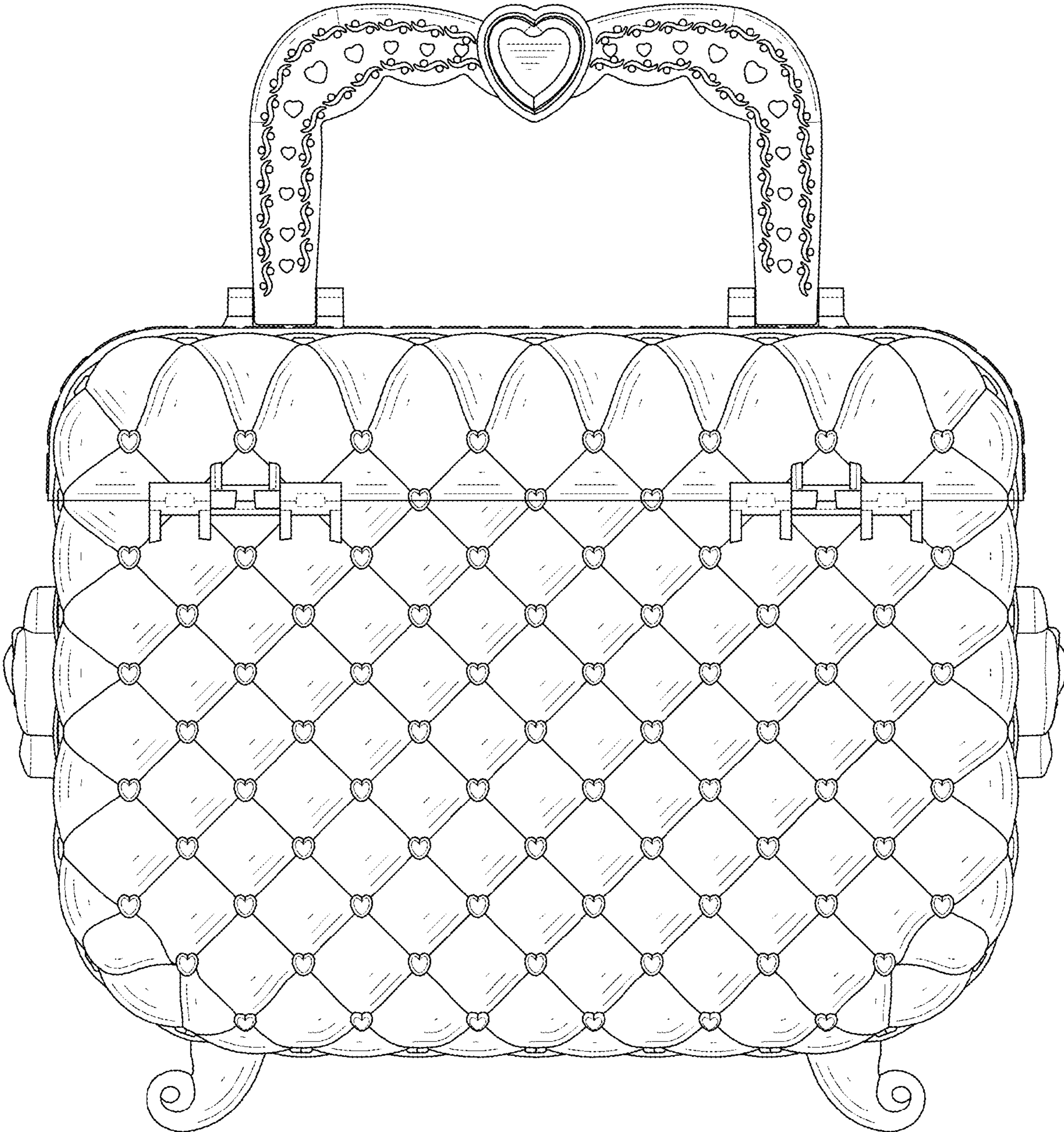


FIG. 4

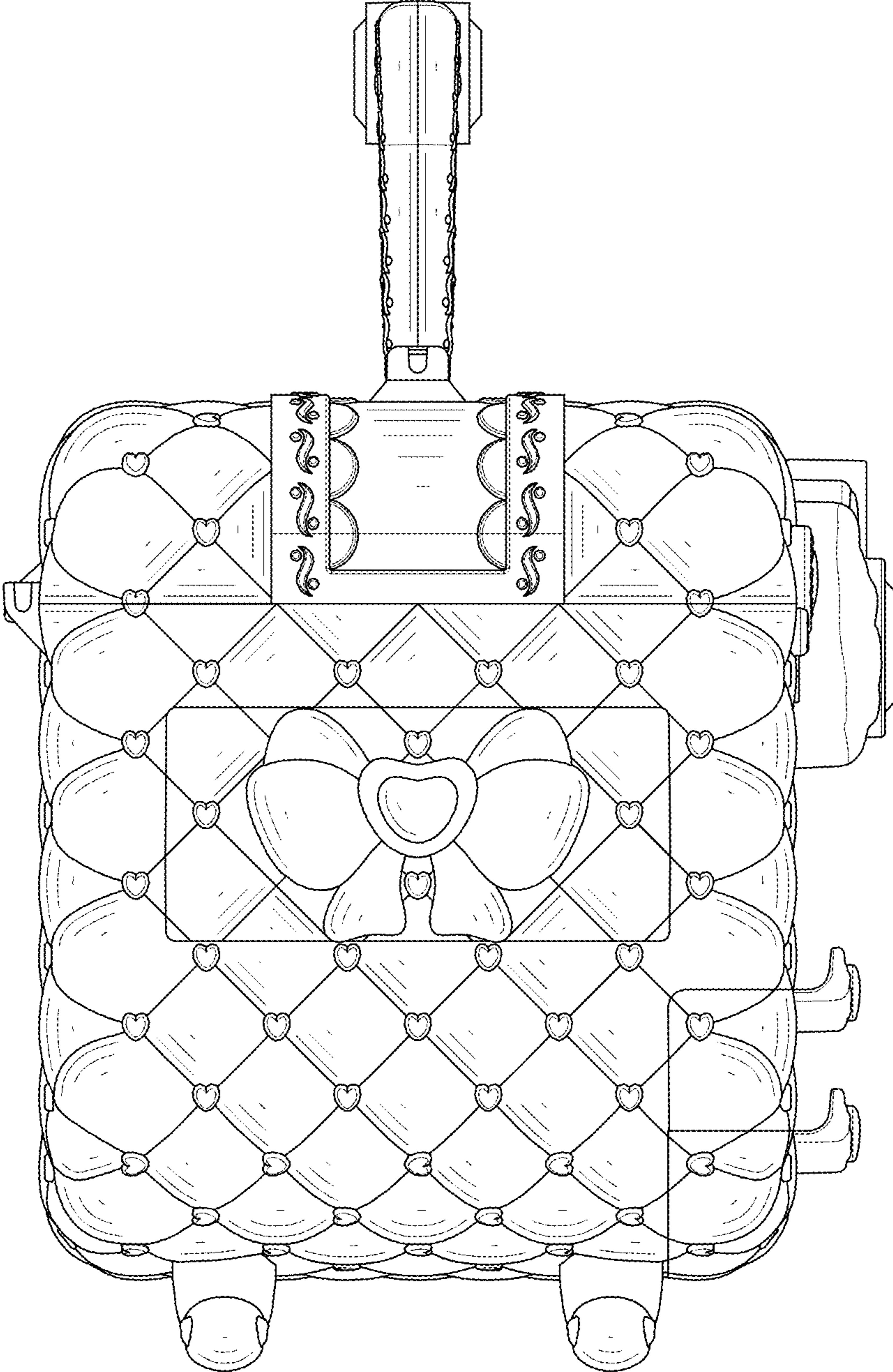


FIG. 5

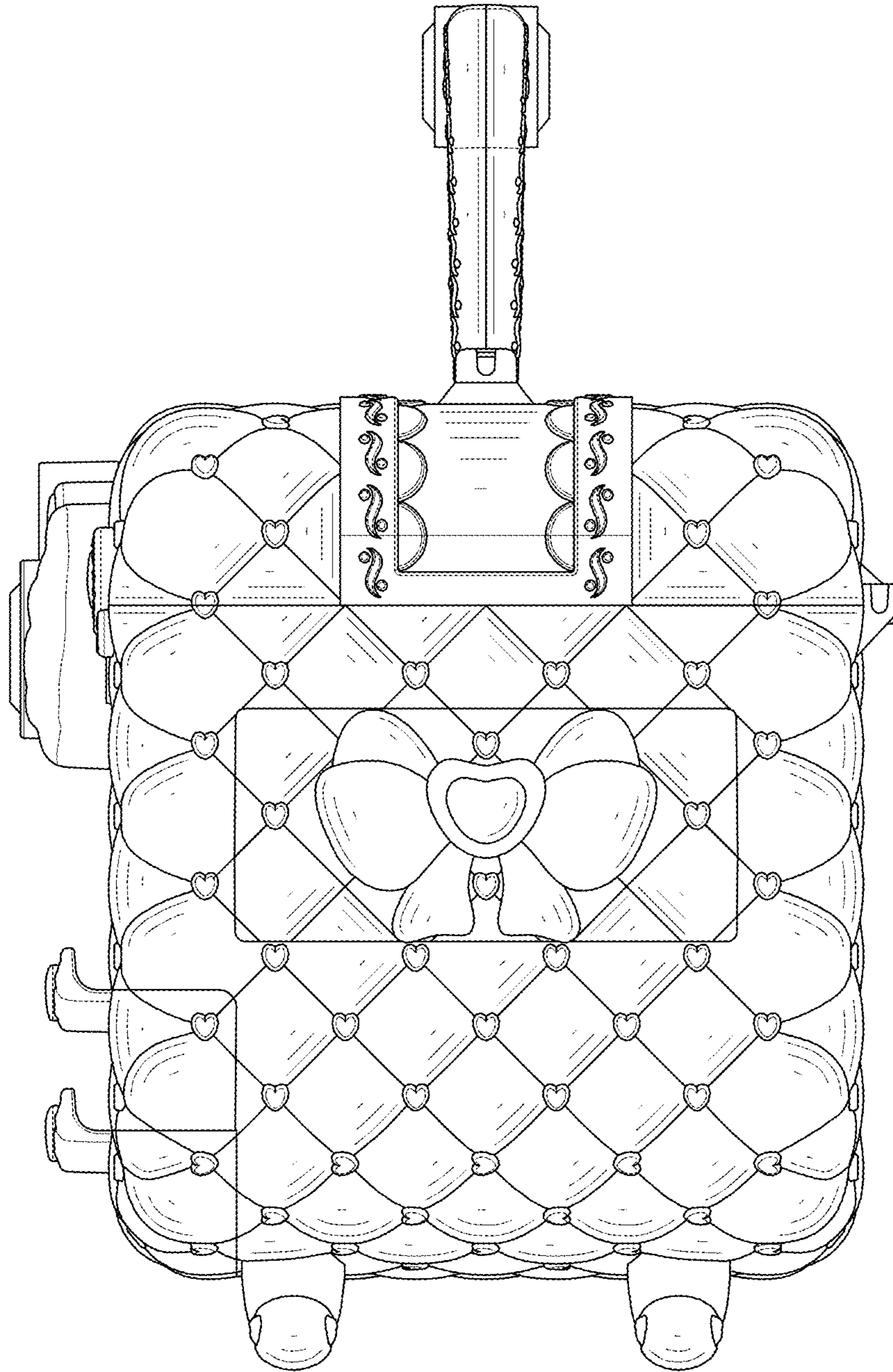


FIG. 6

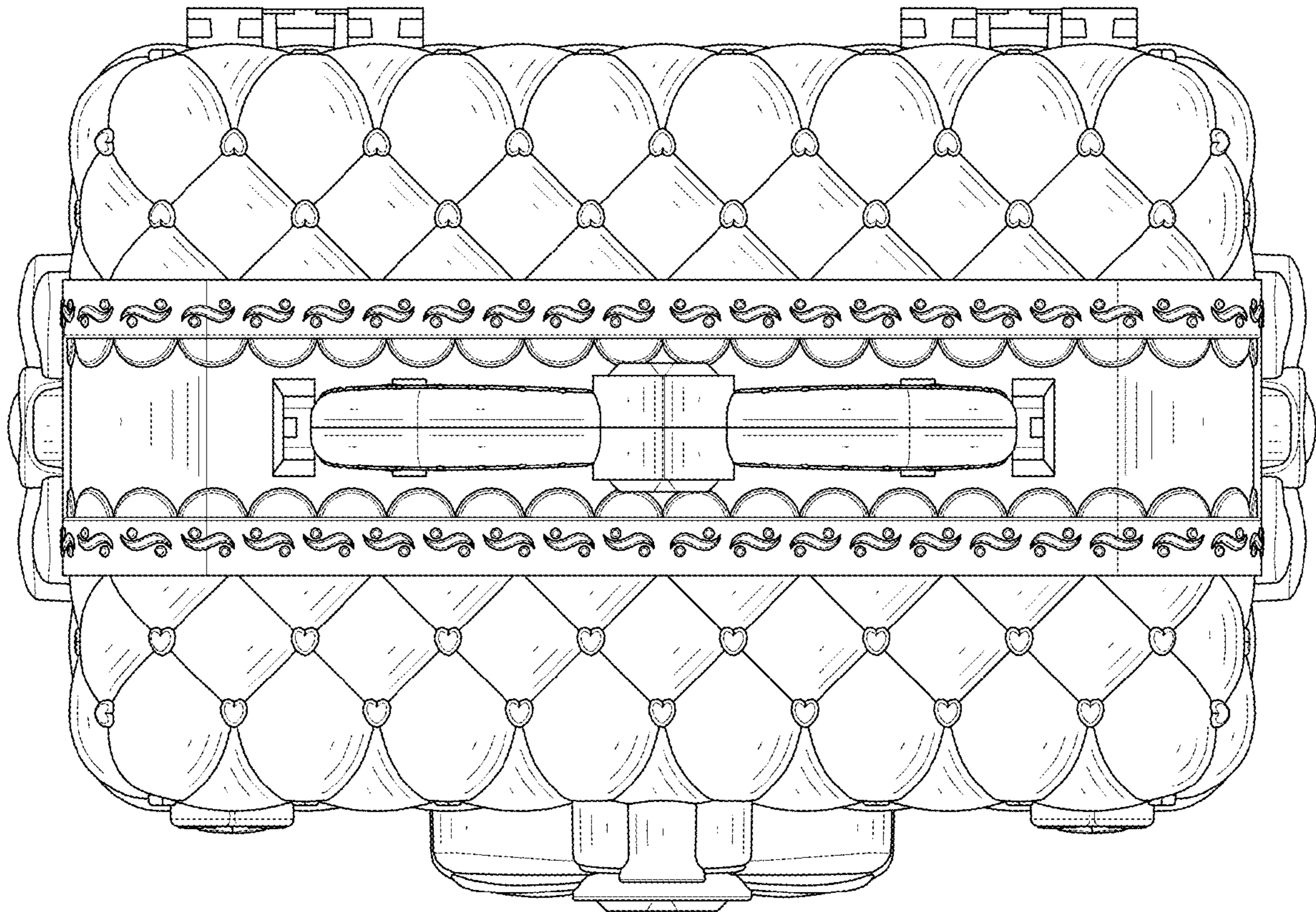


FIG. 7

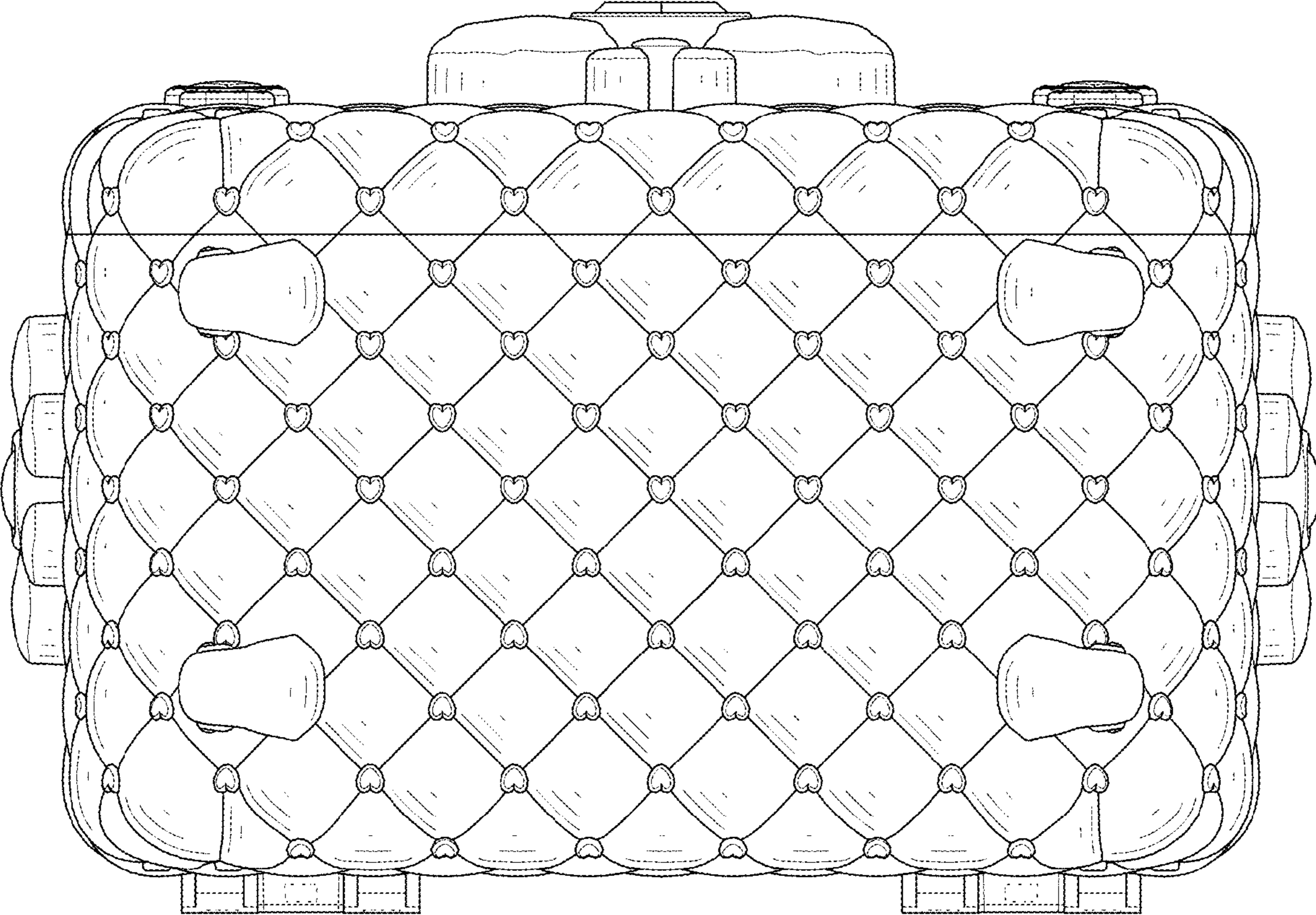


FIG. 8

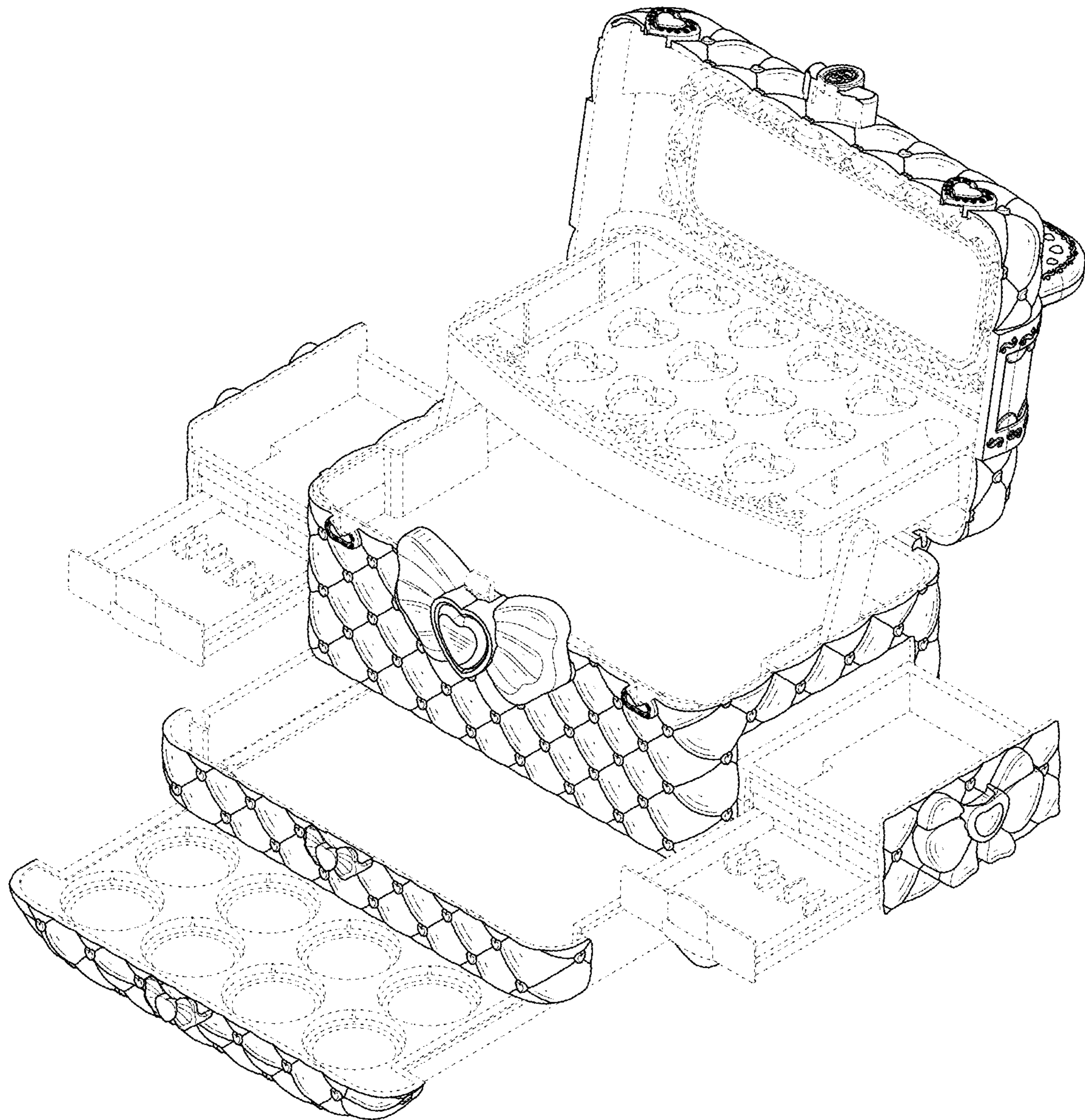


FIG. 9

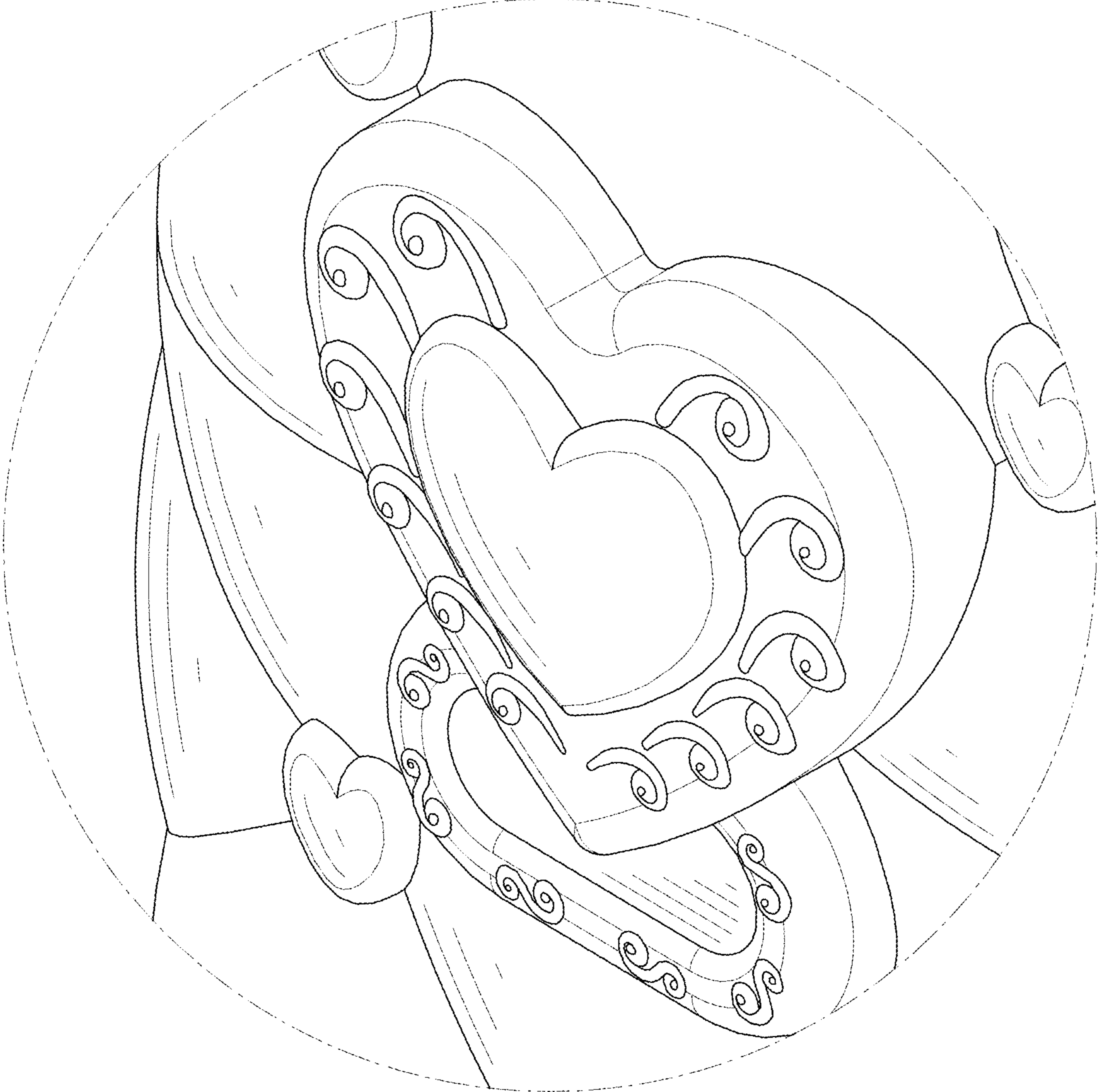


FIG. 10

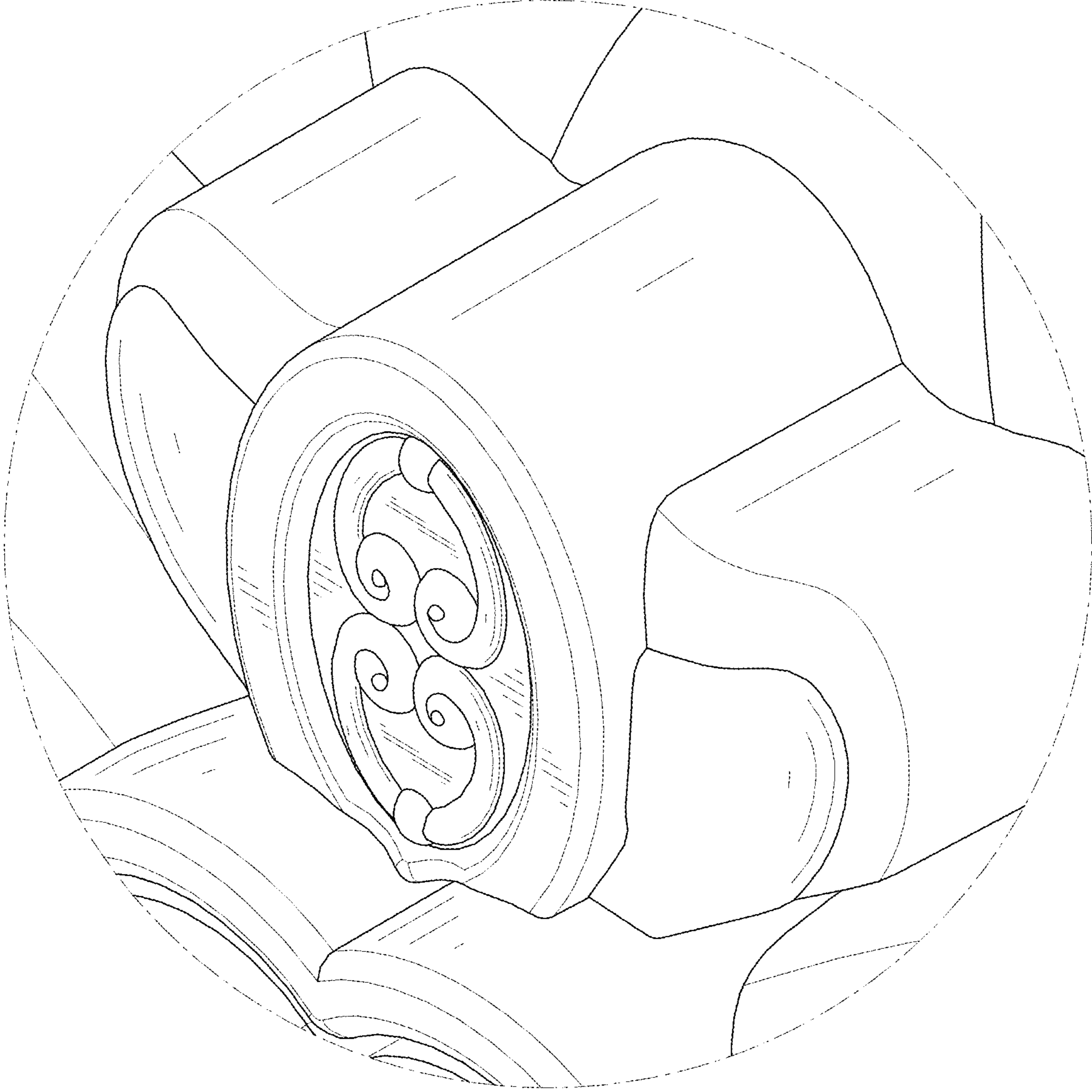


FIG. 11

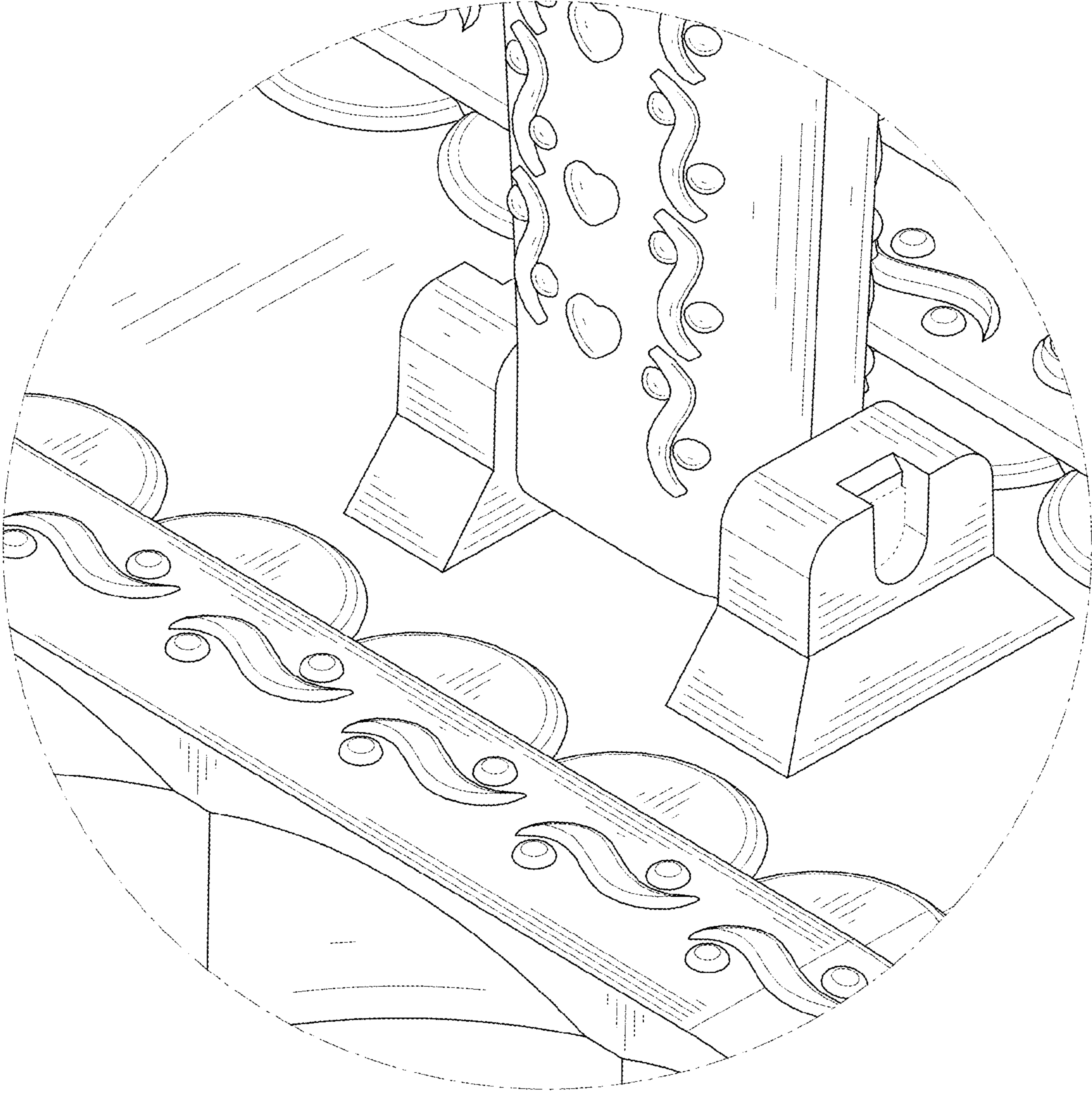


FIG. 12

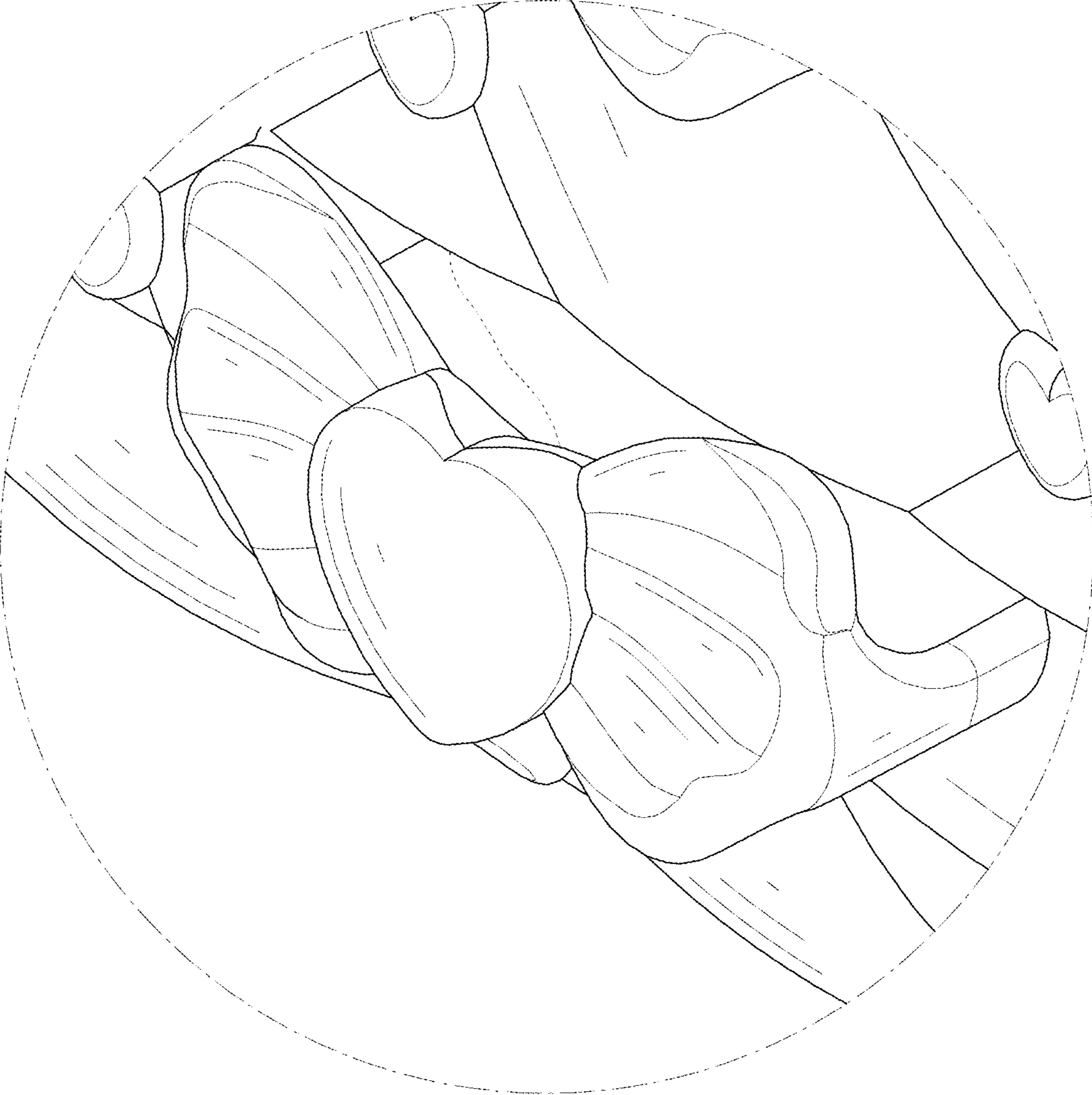


FIG. 13