



US00D975443S

(12) **United States Design Patent** (10) **Patent No.:** **US D975,443 S**
Lin (45) **Date of Patent:** **** Jan. 17, 2023**

(54) **KIDS COSMETIC BOX**
(71) Applicant: **Zhiwei Lin**, Chaoan County (CN)
(72) Inventor: **Zhiwei Lin**, Chaoan County (CN)

D611,656 S * 3/2010 Lai D28/79
D674,190 S * 1/2013 Wijerama D3/271.1
D757,434 S * 5/2016 Beilman D3/901
D773,186 S * 12/2016 Beilman D3/288
D820,684 S * 6/2018 Egner D9/635

(**) Term: **15 Years**

OTHER PUBLICATIONS

(21) Appl. No.: **29/808,709**

Amazon.sa, "Hollyhi 41 Pcs Kids Makeup Toy Kit", First on sale Aug. 24, 2021. (<https://www.amazon.sa/-/en/Hollyhi-Washable-Cosmetic-Pretend-Birthday/dp/B095LT69HN>) (Year: 2021).*

(22) Filed: **Sep. 22, 2021**

(51) **LOC (14) Cl.** **03-01**

* cited by examiner

(52) **U.S. Cl.**
USPC **D3/283; D3/286; D3/291; D3/271.1; D3/901**

Primary Examiner — April Rivas
(74) *Attorney, Agent, or Firm* — Justin Lampel

(58) **Field of Classification Search**
USPC D3/231, 245, 246, 273, 283, 284, 285, D3/287, 289, 901, 900, 902, 903, 904, D3/270, 271.1, 237, 291, 286
CPC A45C 1/02; A45C 2011/003; A45C 3/06; A45C 15/00; A45D 2040/0012; A45D 40/24; A45D 2200/25
See application file for complete search history.

(57) **CLAIM**
The ornamental design for a kids cosmetic box, as shown and described.

DESCRIPTION

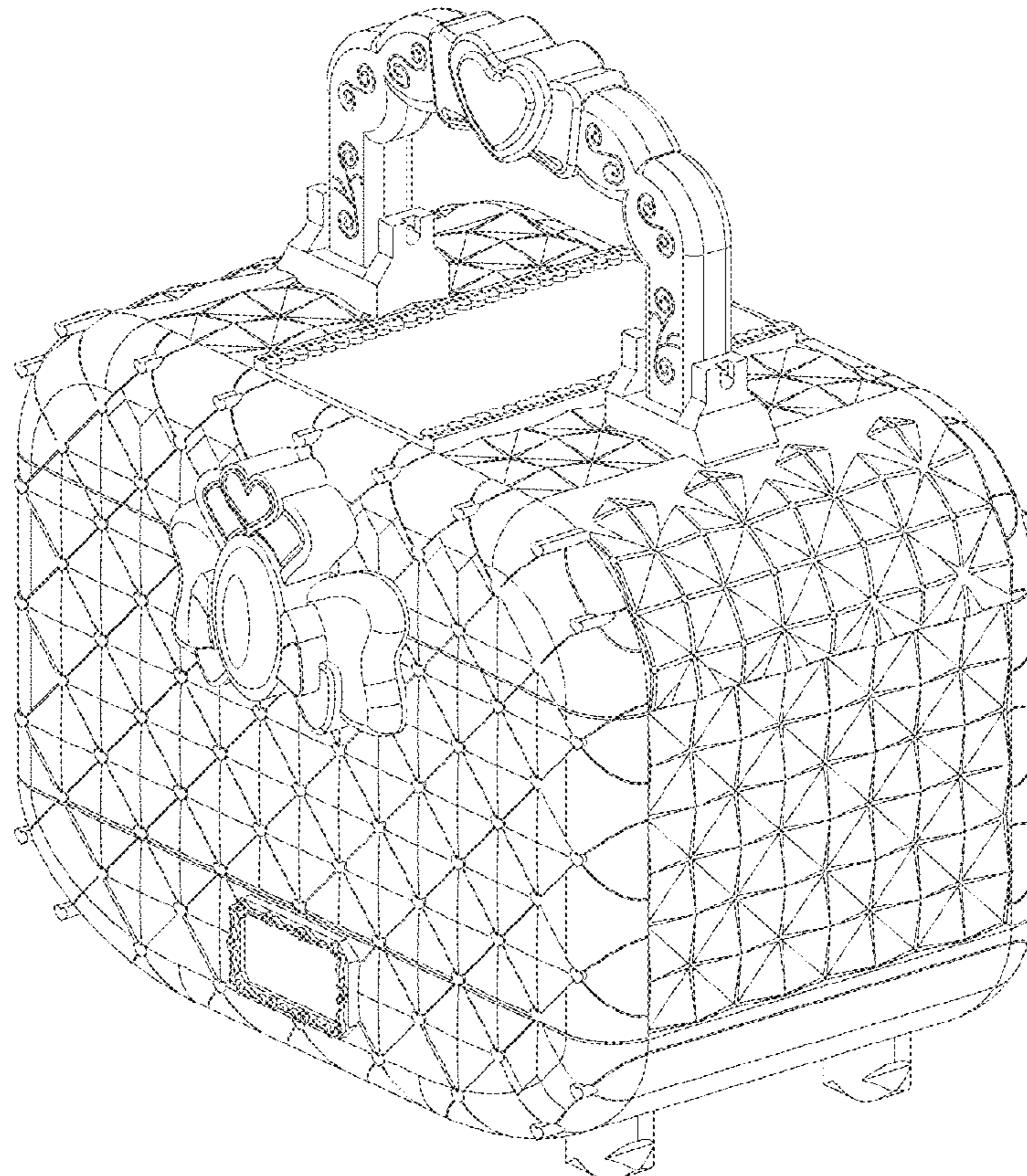
(56) **References Cited**

U.S. PATENT DOCUMENTS

D279,625 S * 7/1985 Winslow D3/271.1
D471,010 S * 3/2003 Wolf D3/901
D480,181 S 9/2003 Sheng
D485,066 S * 1/2004 Wolf D3/903

FIG. 1 is a perspective view of a kids cosmetic box showing the claimed design;
FIG. 2 is a top plan view thereof;
FIG. 3 is a left side view thereof;
FIG. 4 is a front elevational view thereof;
FIG. 5 is a right side view thereof;
FIG. 6 is a rear elevational view thereof; and,
FIG. 7 is a bottom plan view thereof.

1 Claim, 7 Drawing Sheets



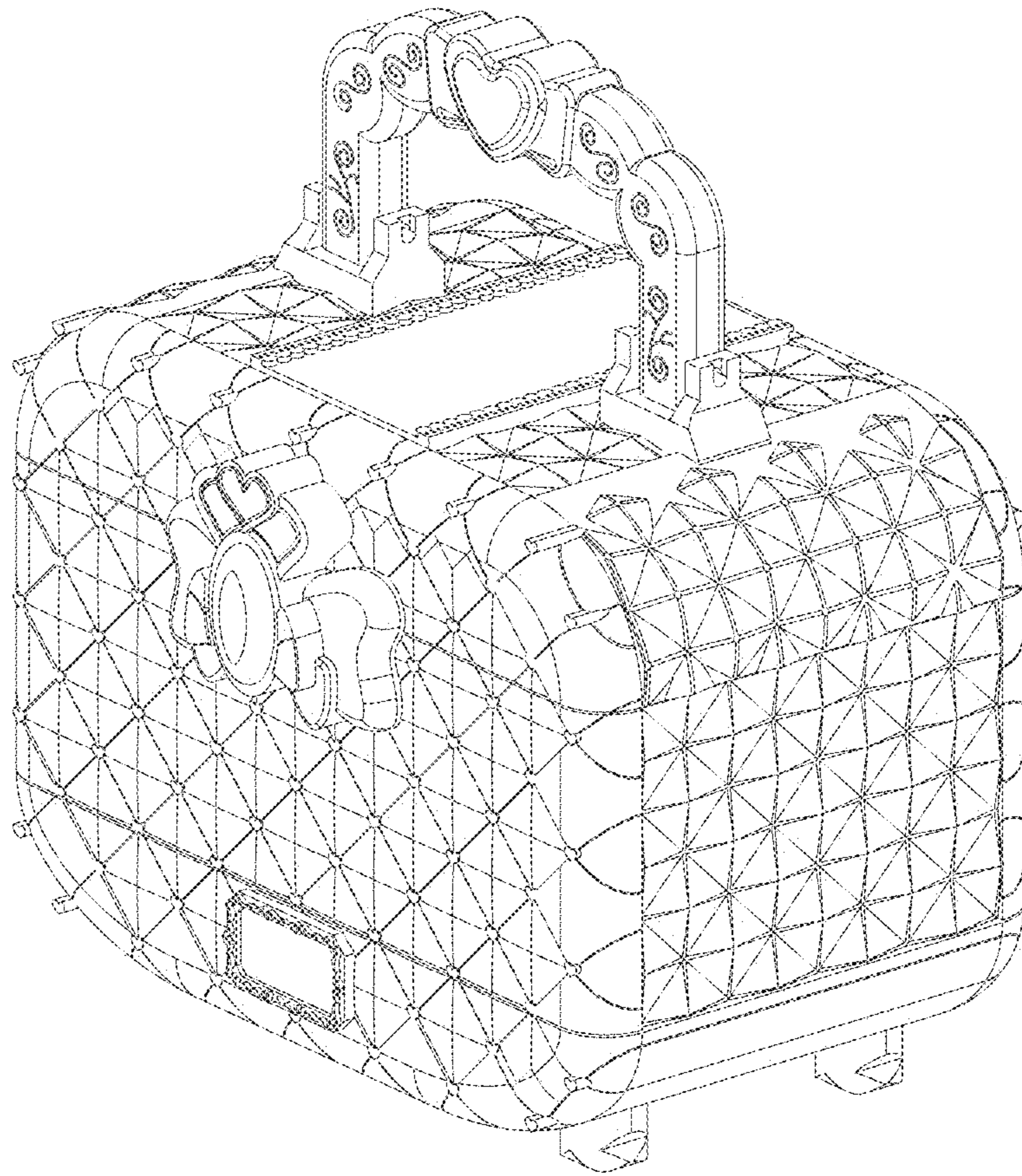


FIG. 1

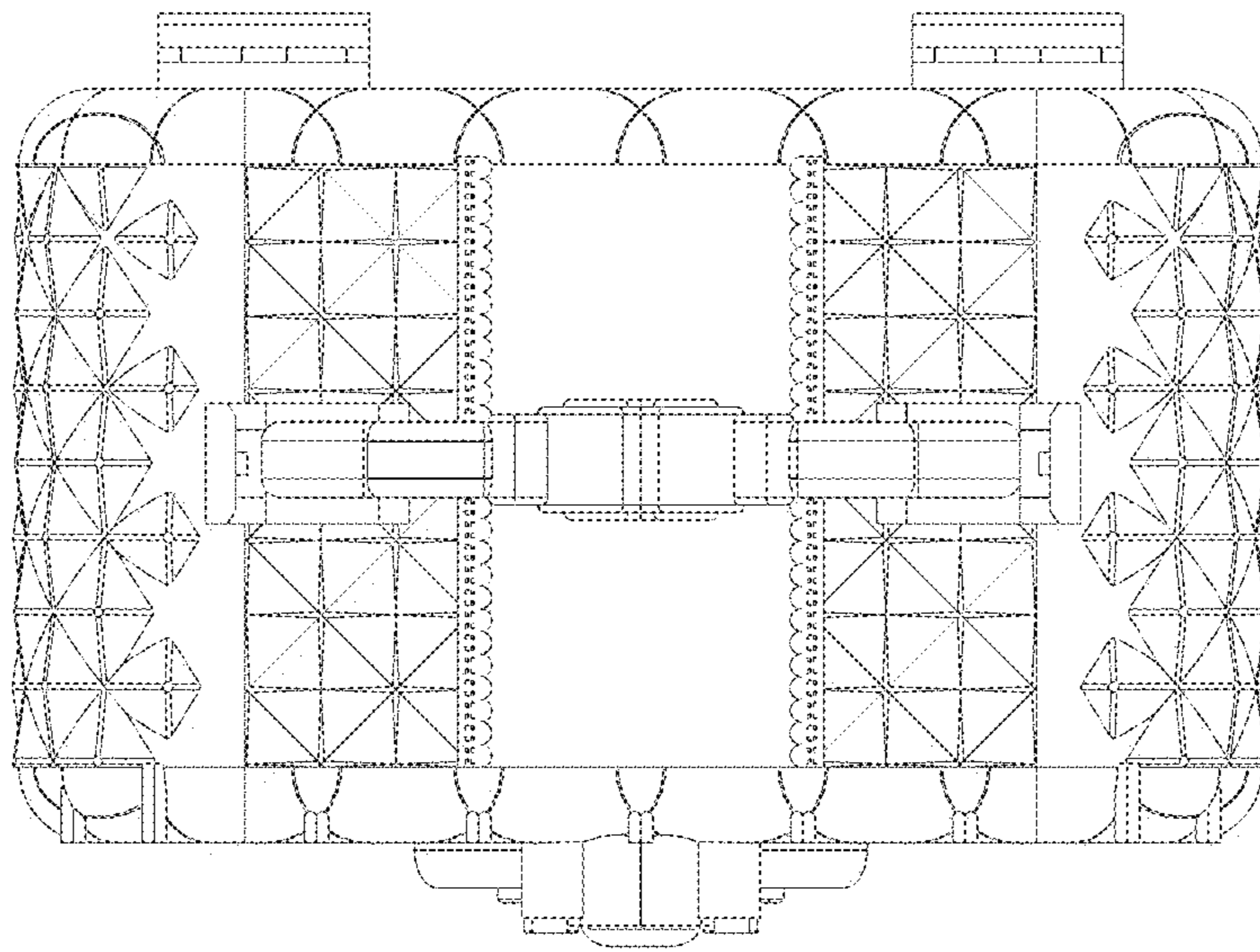


FIG.2

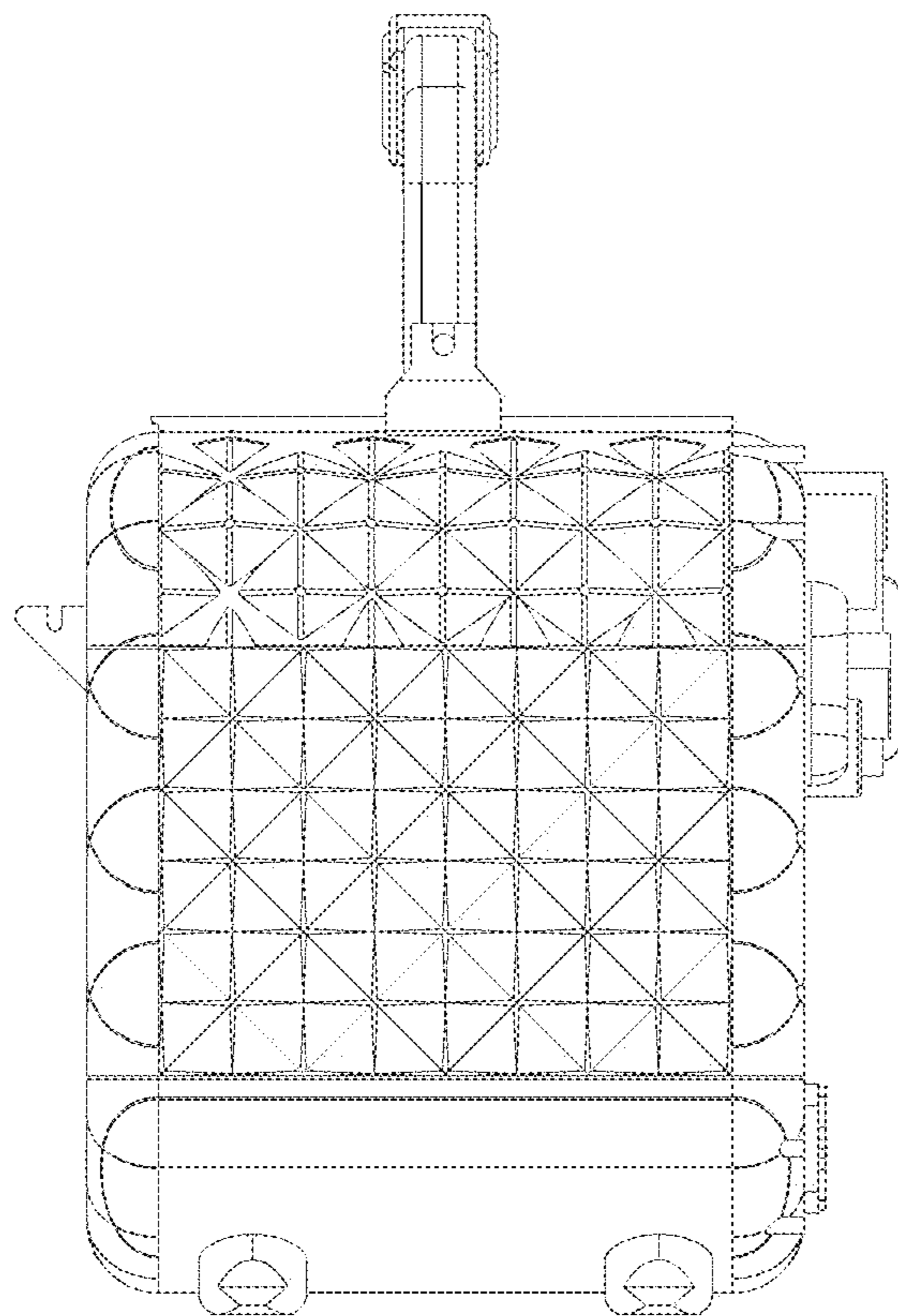


FIG.3

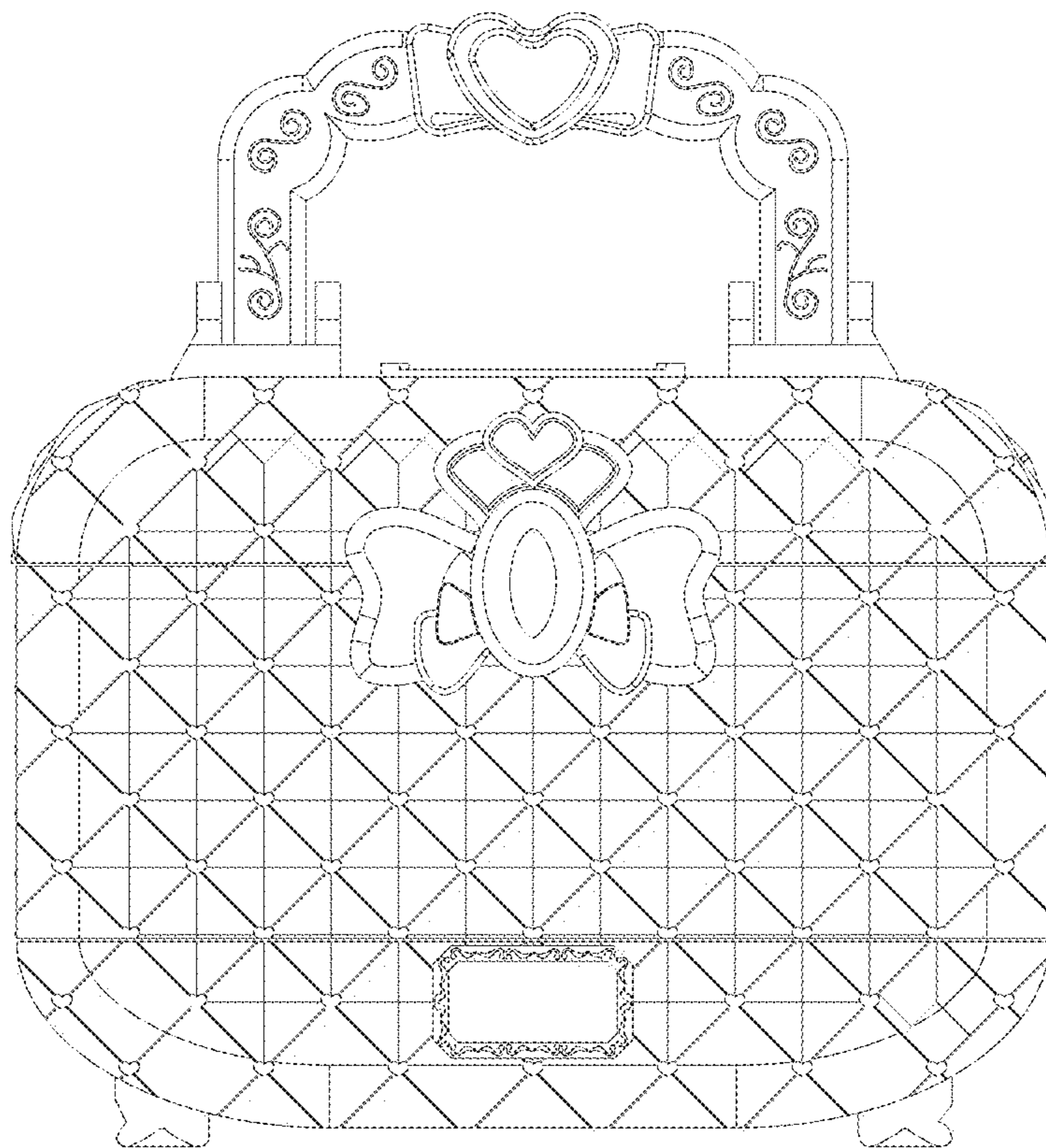


FIG. 4

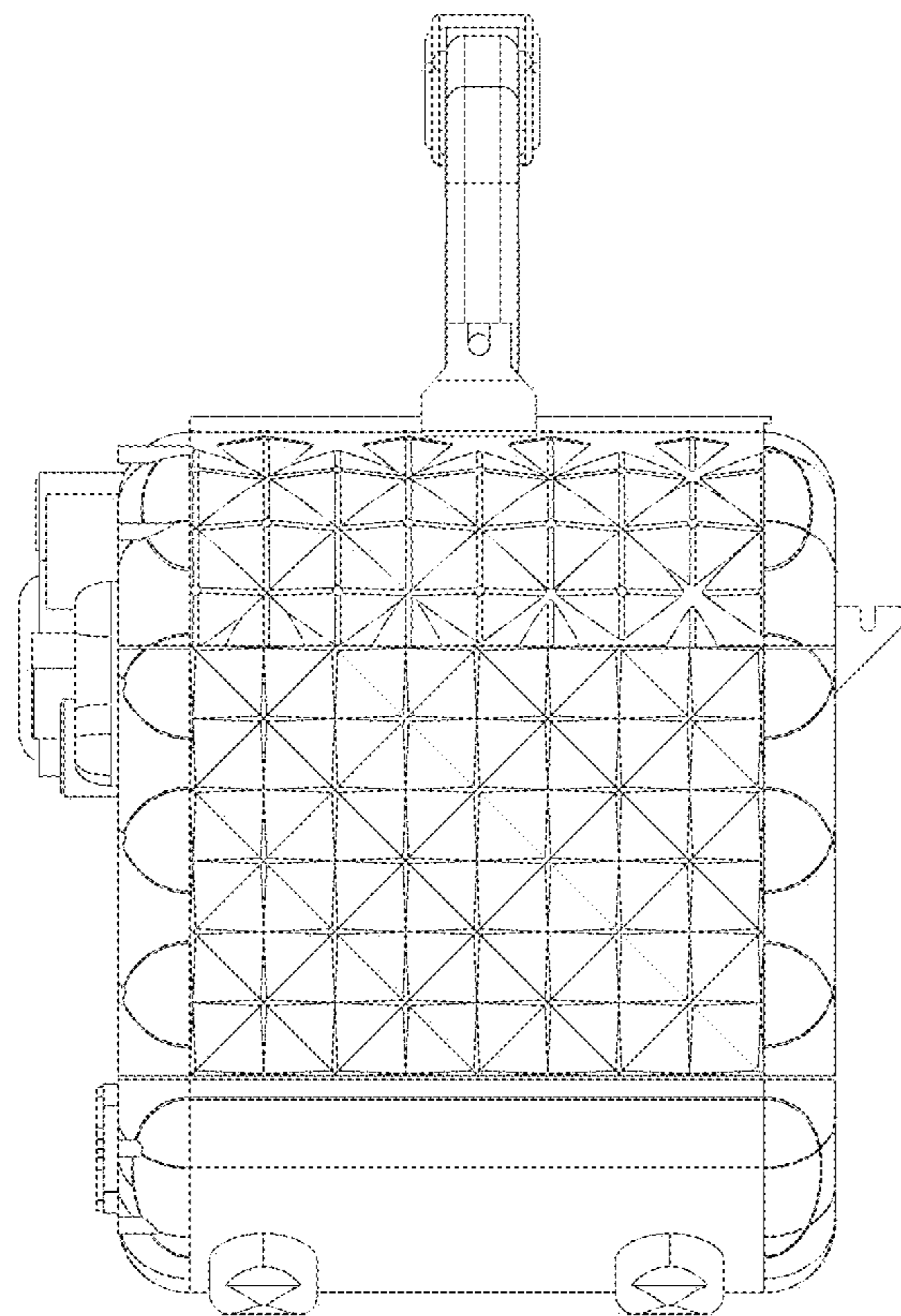


FIG.5

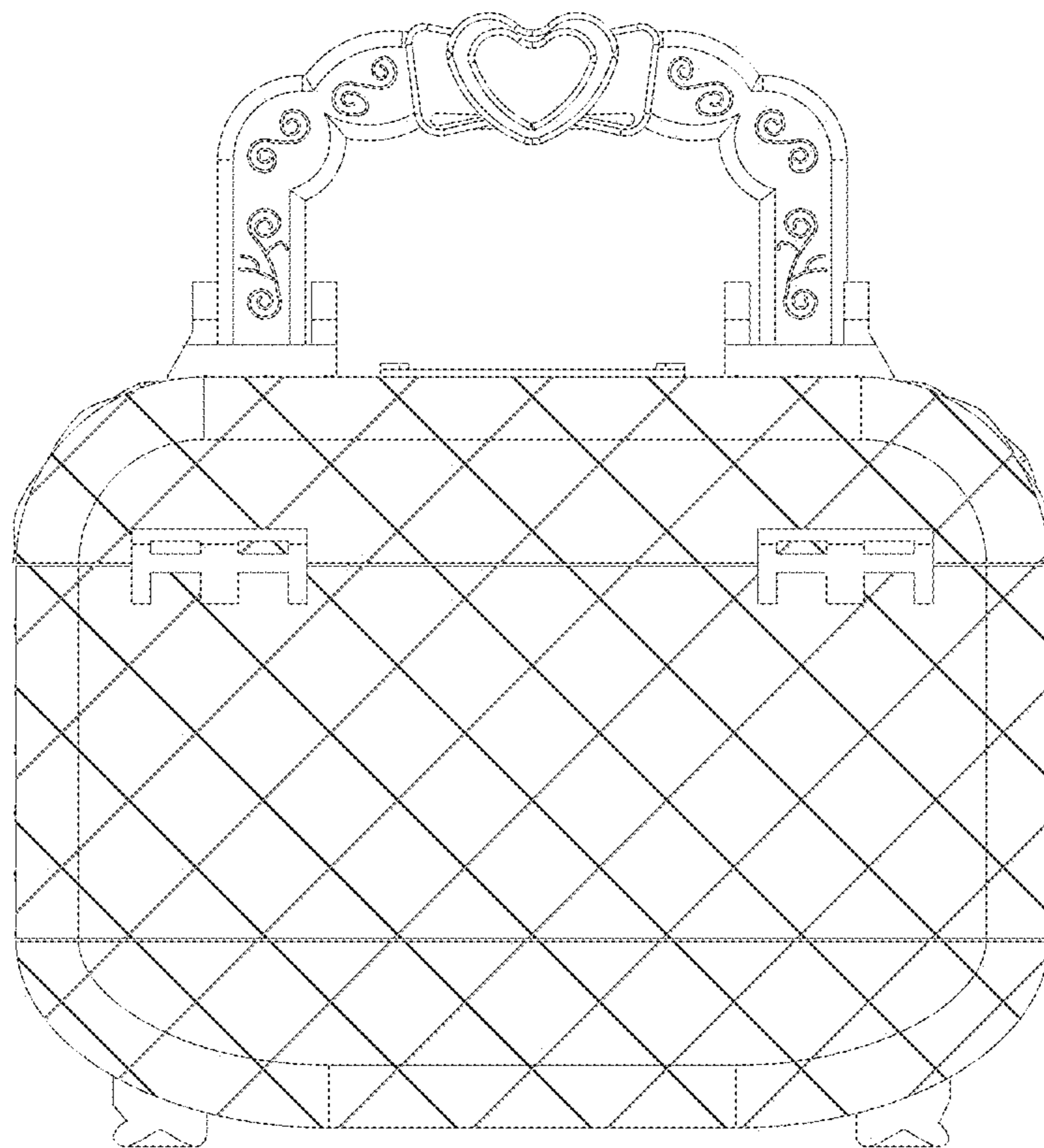


FIG. 6

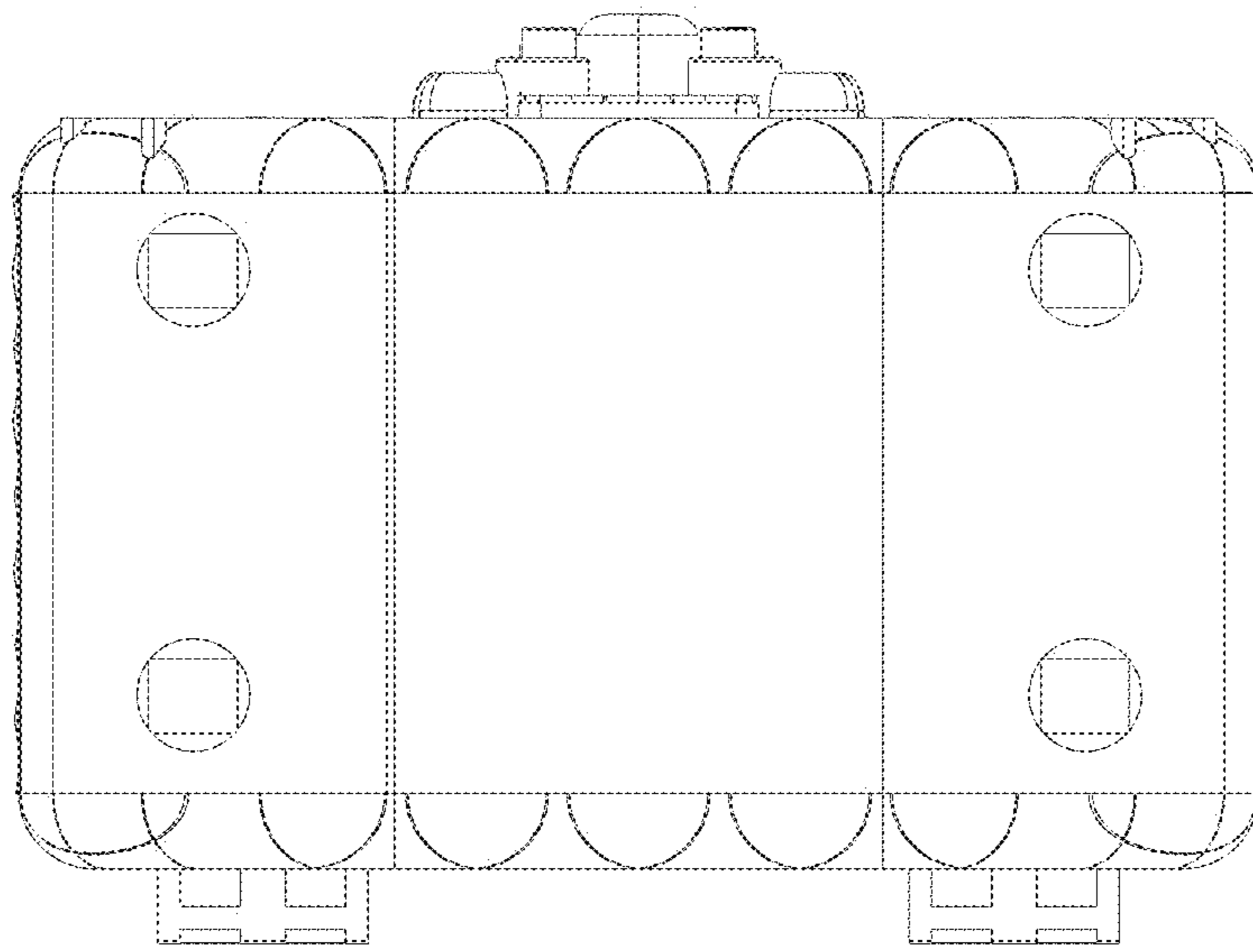


FIG. 7