

US00D975442S

(12) **United States Design Patent**
Huang

(10) **Patent No.:** **US D975,442 S**
(45) **Date of Patent:** **** Jan. 17, 2023**

(54) **SUITCASE**

D918,582 S 5/2021 Chen
D942,754 S * 2/2022 Walsh D3/279
2020/0187609 A1* 6/2020 Hillaert A45C 5/02

(71) Applicant: **Guangdong Topsone Technology development company Limited,**
Dongguan (CN)

(72) Inventor: **Erjie Huang,** Fuzhou (CN)

(73) Assignee: **Guangdong Topsone Technology development company Limited,**
Dongguan (CN)

(**) Term: **15 Years**

(21) Appl. No.: **29/789,265**

(22) Filed: **Sep. 14, 2021**

(30) **Foreign Application Priority Data**

Aug. 4, 2021 (CN) 202130500455.0

(51) **LOC (14) Cl.** **03-01**

(52) **U.S. Cl.**
USPC **D3/279; D3/289**

(58) **Field of Classification Search**
USPC D3/273, 274, 276, 283, 289, 302, 279
CPC A45C 11/00; A45C 2011/001; A45C
2005/032; A45C 5/14
See application file for complete search history.

(56) **References Cited**

U.S. PATENT DOCUMENTS

D285,626 S * 9/1986 Yen D3/292
D732,823 S * 6/2015 Baron D3/276
D789,691 S * 6/2017 Burns D3/318
D791,477 S 7/2017 Liu
D836,909 S * 1/2019 Karl D3/279

OTHER PUBLICATIONS

Amazon.in, "Delsey Polycarbonate 55 cms Light Blue Hardsided Cabin Luggage", First on sale Jul. 4, 2019. (<https://www.amazon.in/Delsey-Comete-Polycarbonate-Wheels-Suitcase/dp/B07N7FQMGK>) (Year: 2019).*

Amazon, "Somago Luggage Sets . . .", First reviewed Jan. 16, 2022. (<https://www.amazon.com/Somago-Luggage-Polypropylene-Suitcase-Spinner/dp/B09NWB3G3Y?th=1>) (Year: 2022).*

* cited by examiner

Primary Examiner — April Rivas

(74) *Attorney, Agent, or Firm* — Jeenam Park

(57) **CLAIM**

The ornamental design for a suitcase, as shown and described.

DESCRIPTION

FIG. 1 is a perspective view of a suitcase, showing my new design;

FIG. 2 is another perspective view

FIG. 3 is a front view thereof;

FIG. 4 is a rear view thereof;

FIG. 5 is a left side view thereof;

FIG. 6 is a right side view thereof;

FIG. 7 is a top plan view thereof;

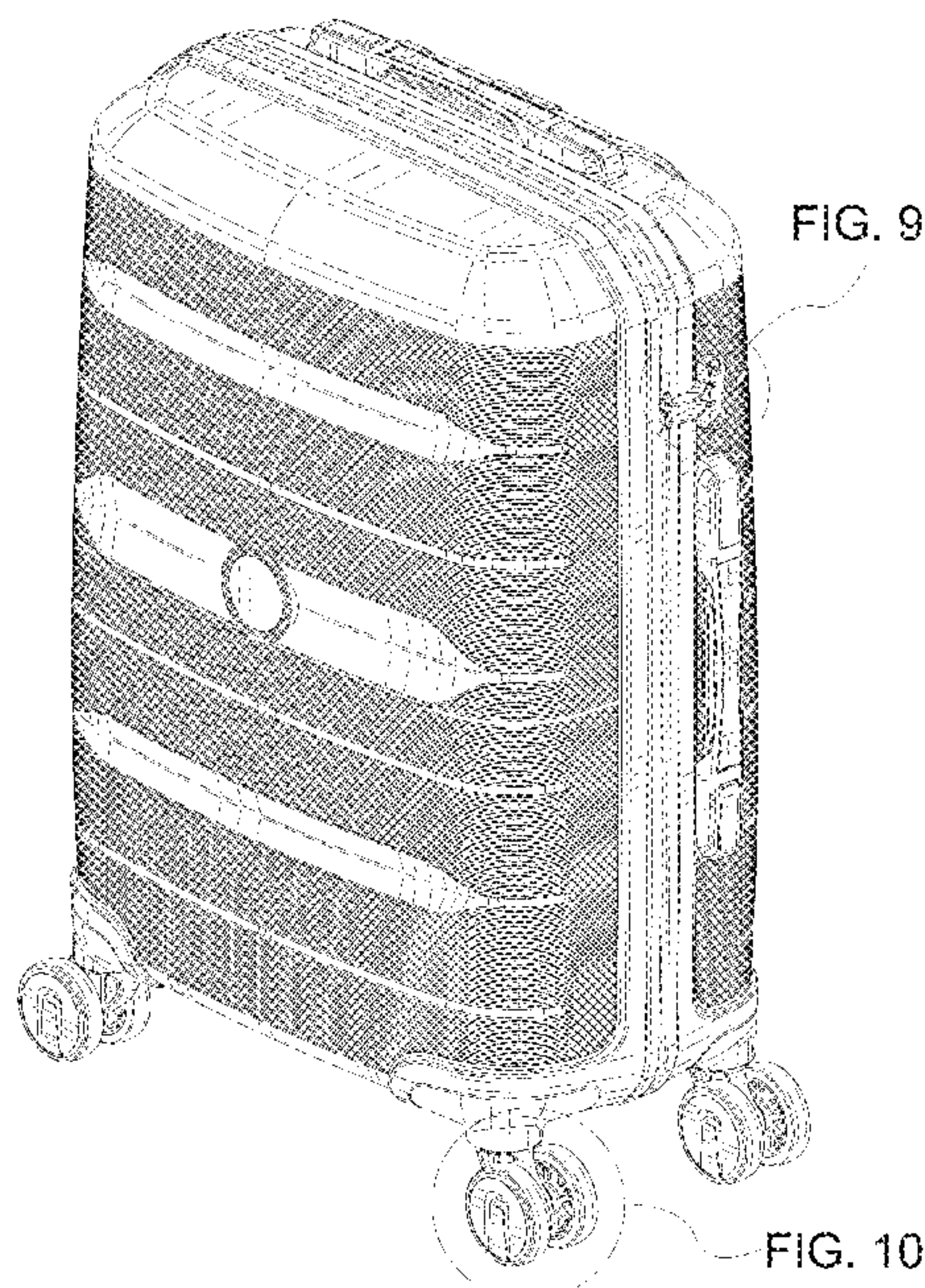
FIG. 8 is a bottom plan view thereof;

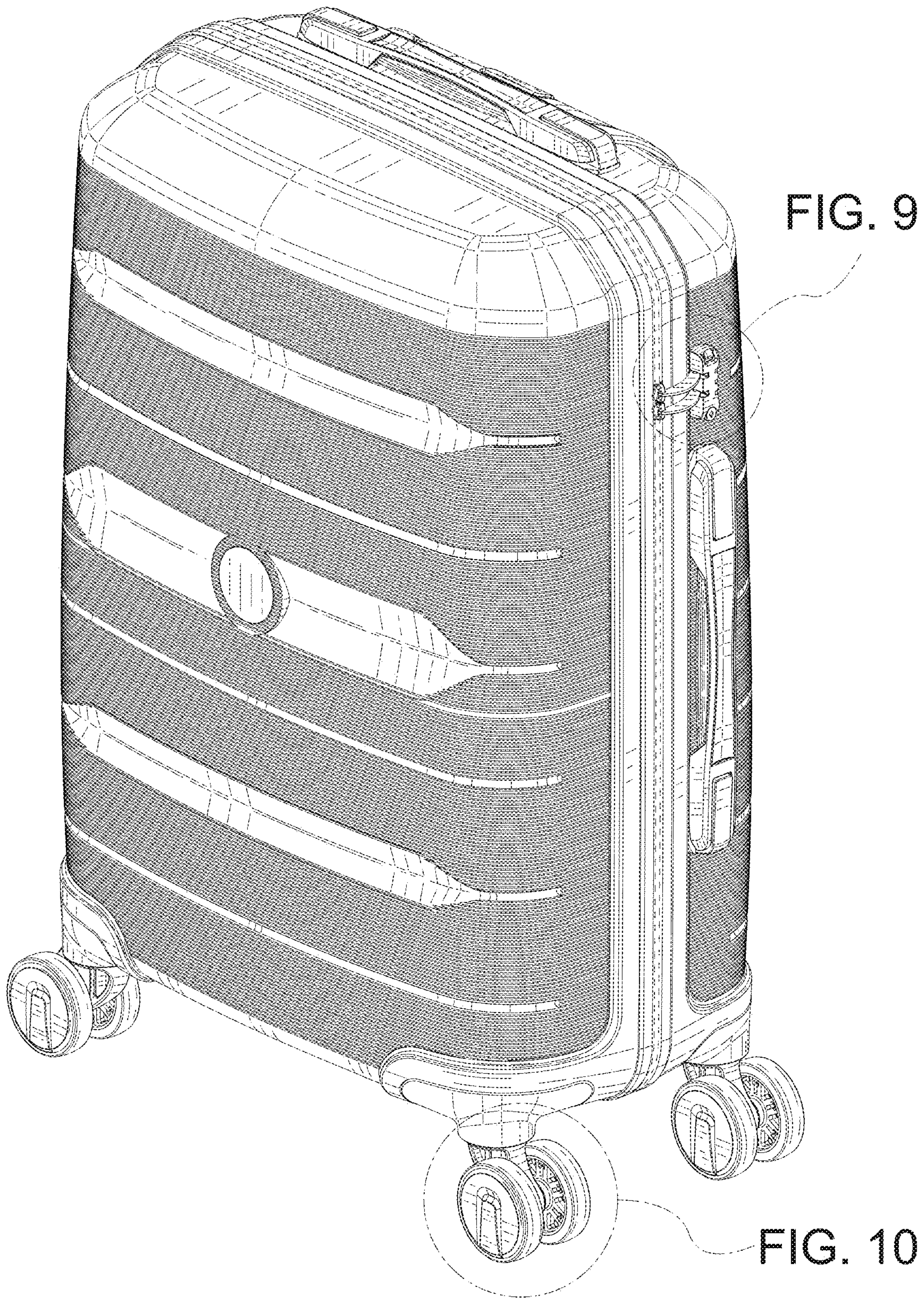
FIG. 9 is an enlarged view of portion of FIG. 1; and,

FIG. 10 is an enlarged view of portion of FIG. 1.

The broken lines shown in the drawings depict portions of the suitcase in which the design is embodied that form no part of the claimed design.

1 Claim, 10 Drawing Sheets





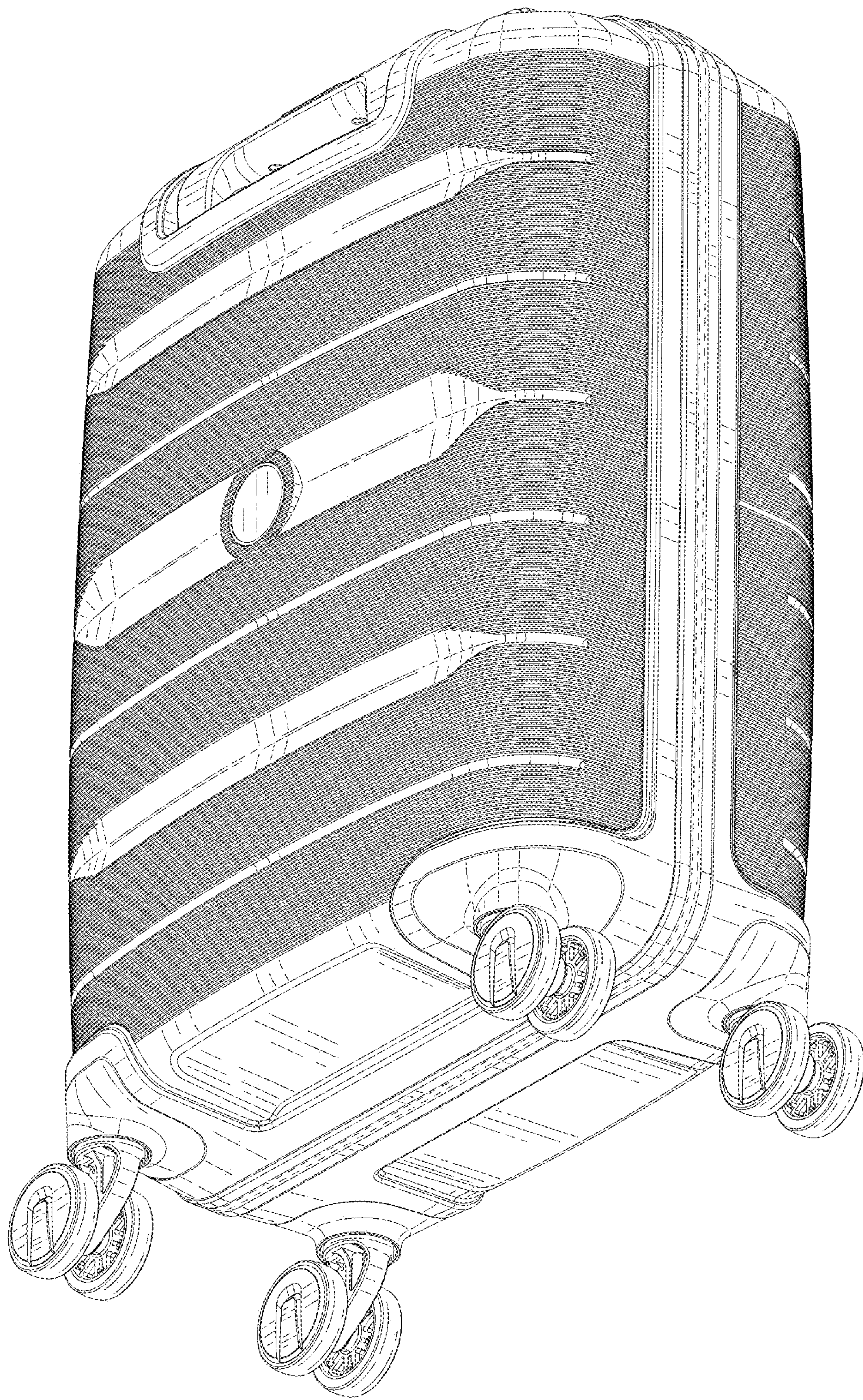


FIG. 2

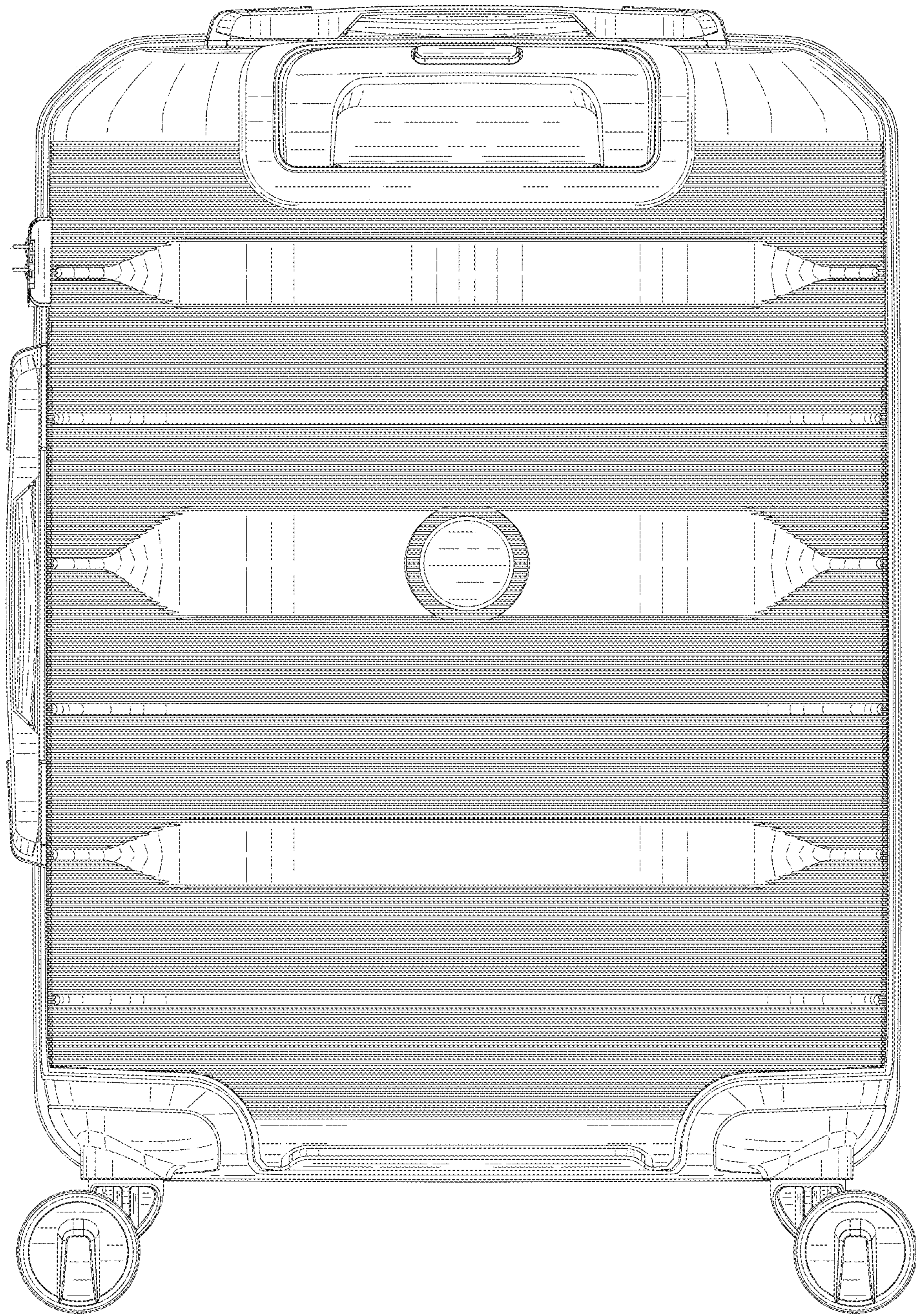


FIG. 3

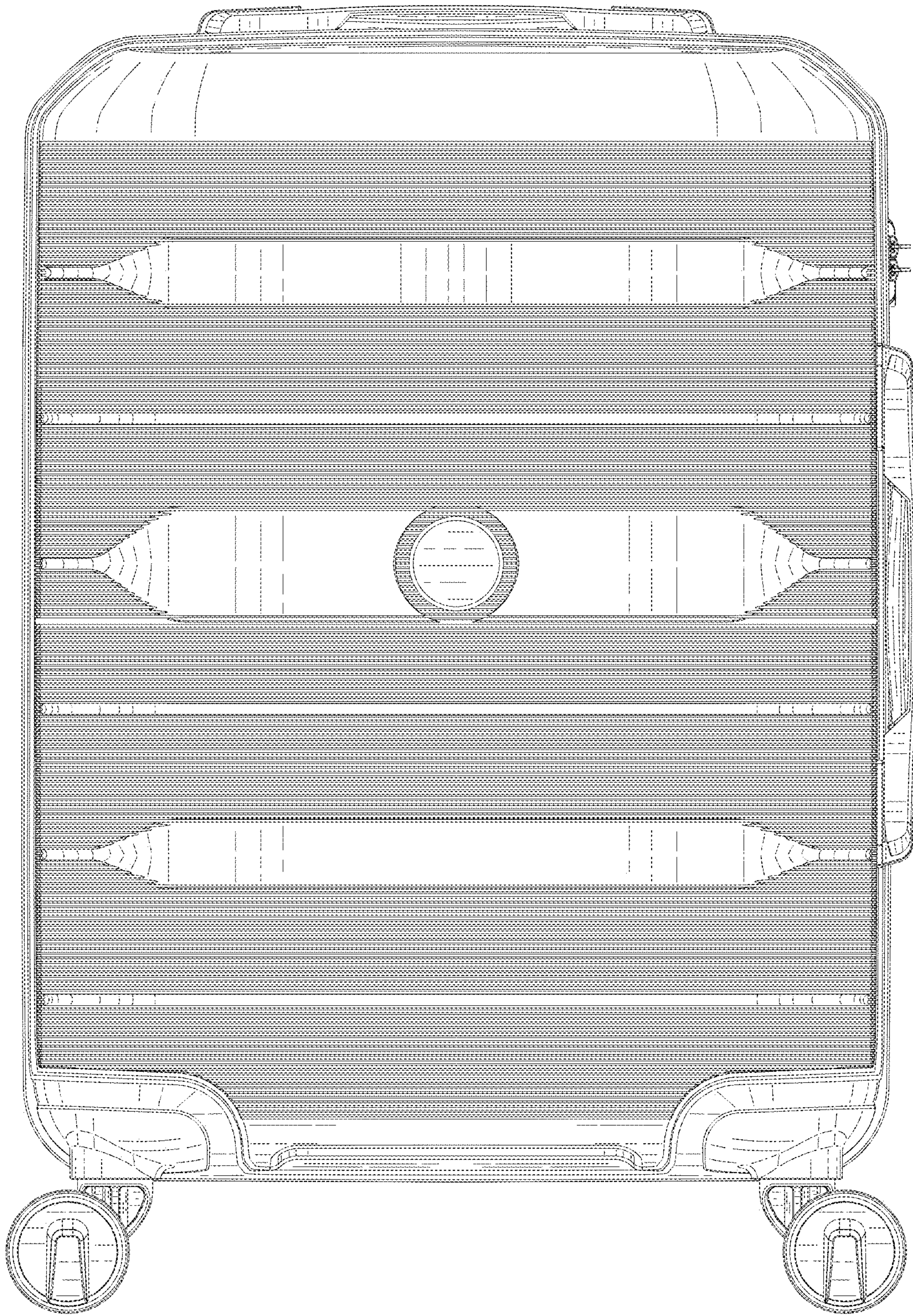


FIG. 4

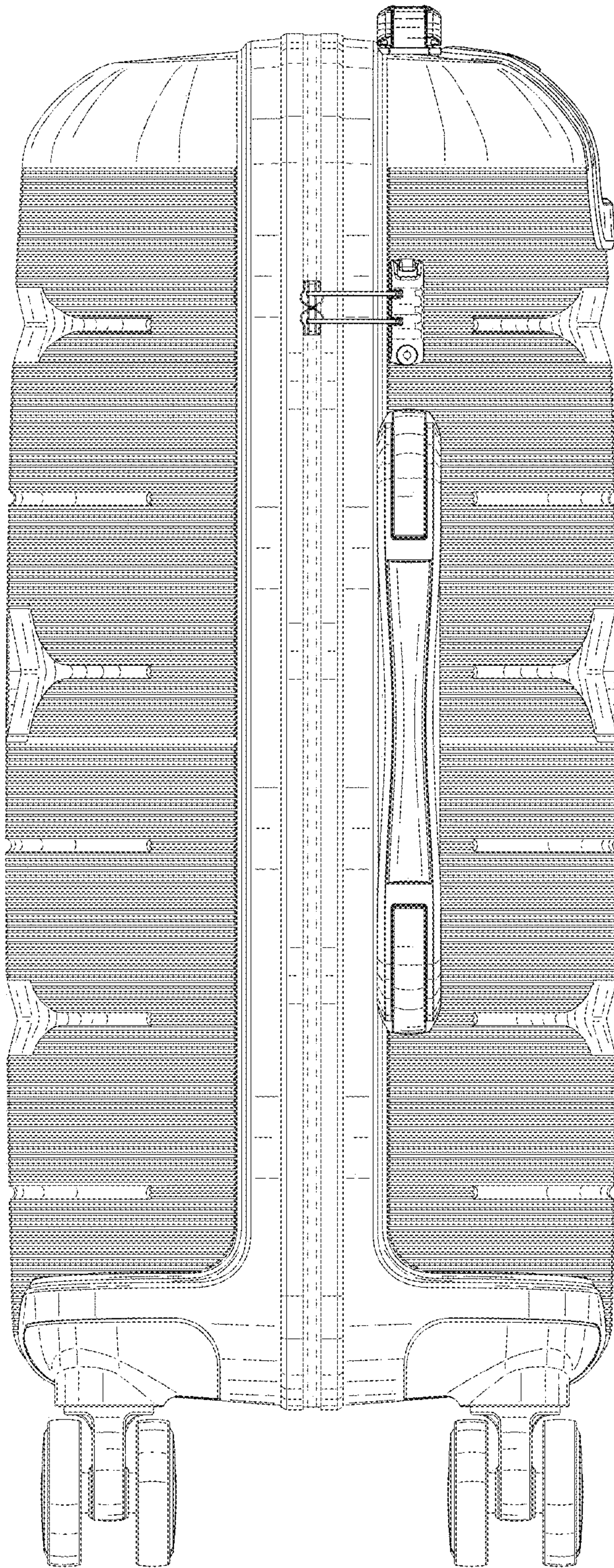


FIG. 5

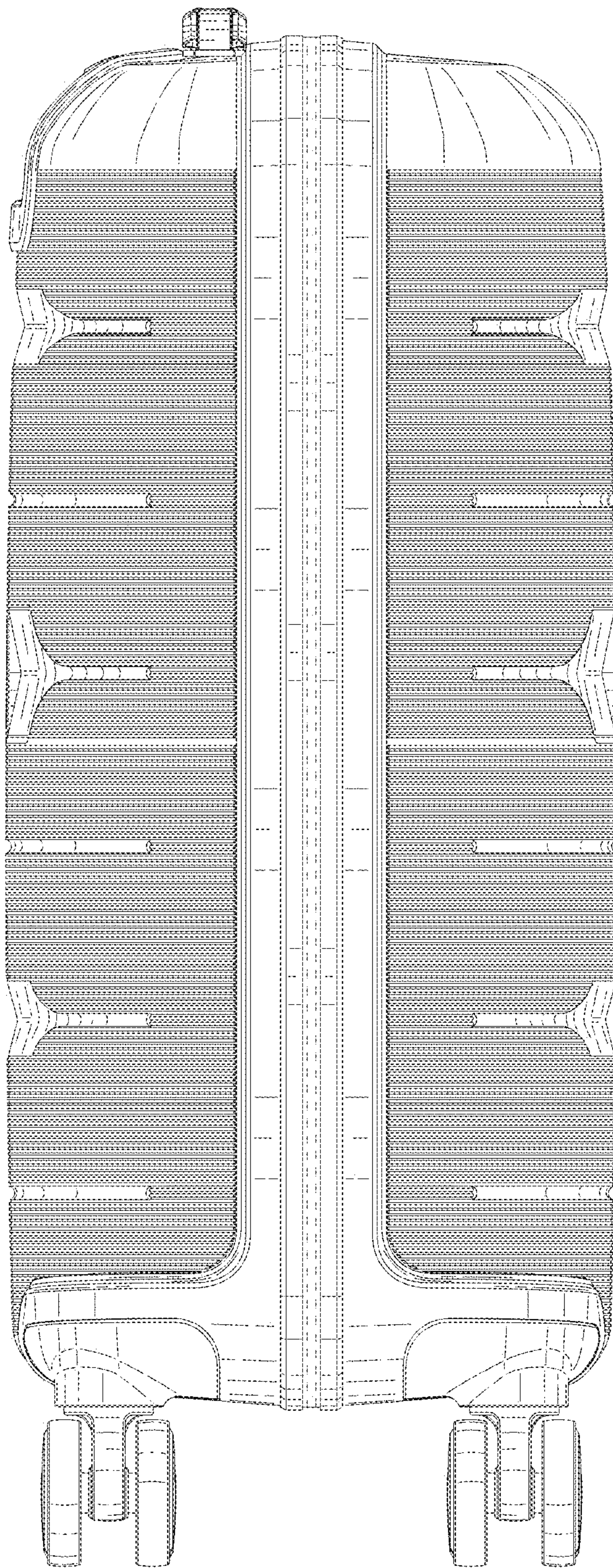


FIG. 6

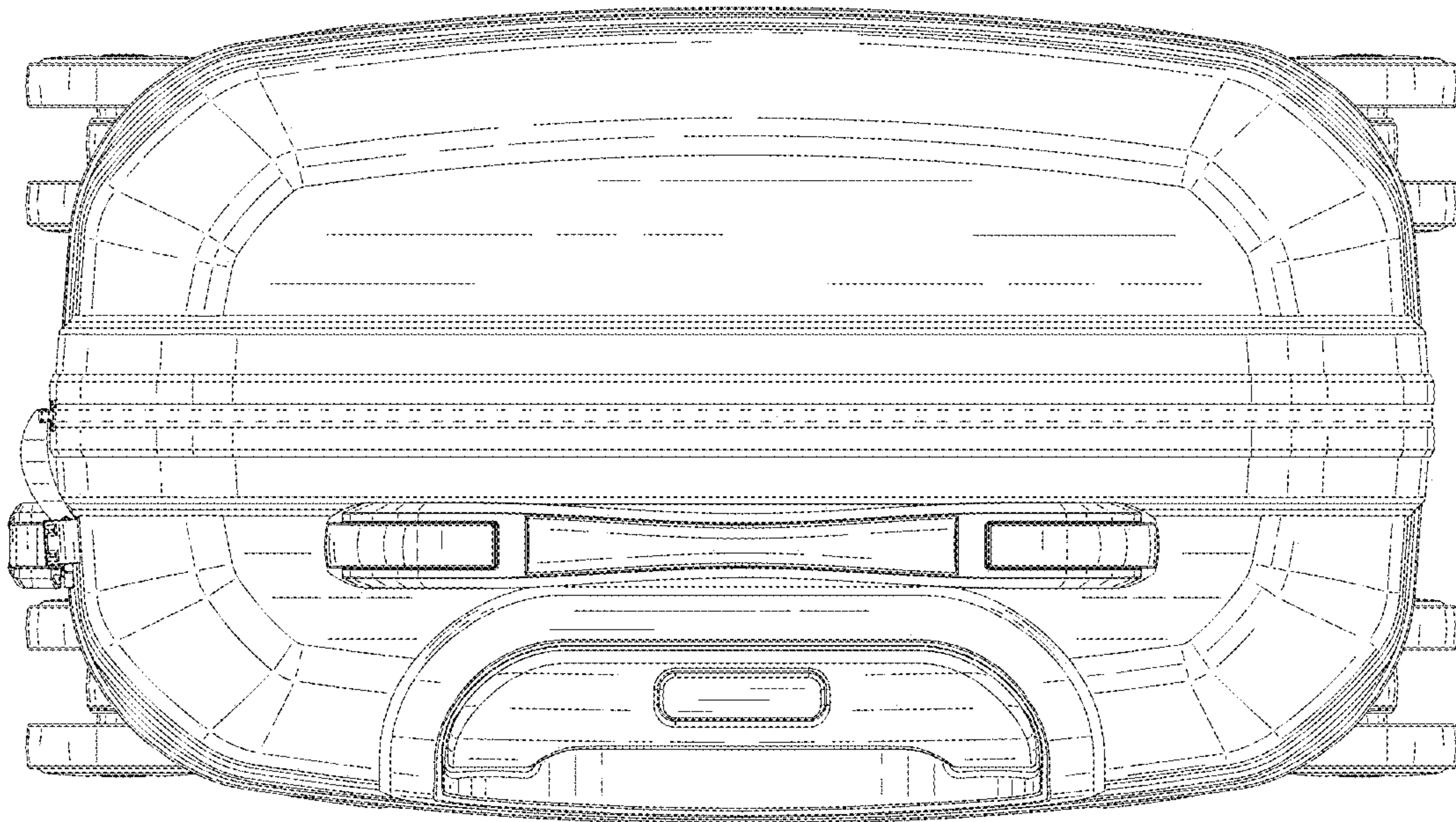


FIG. 7

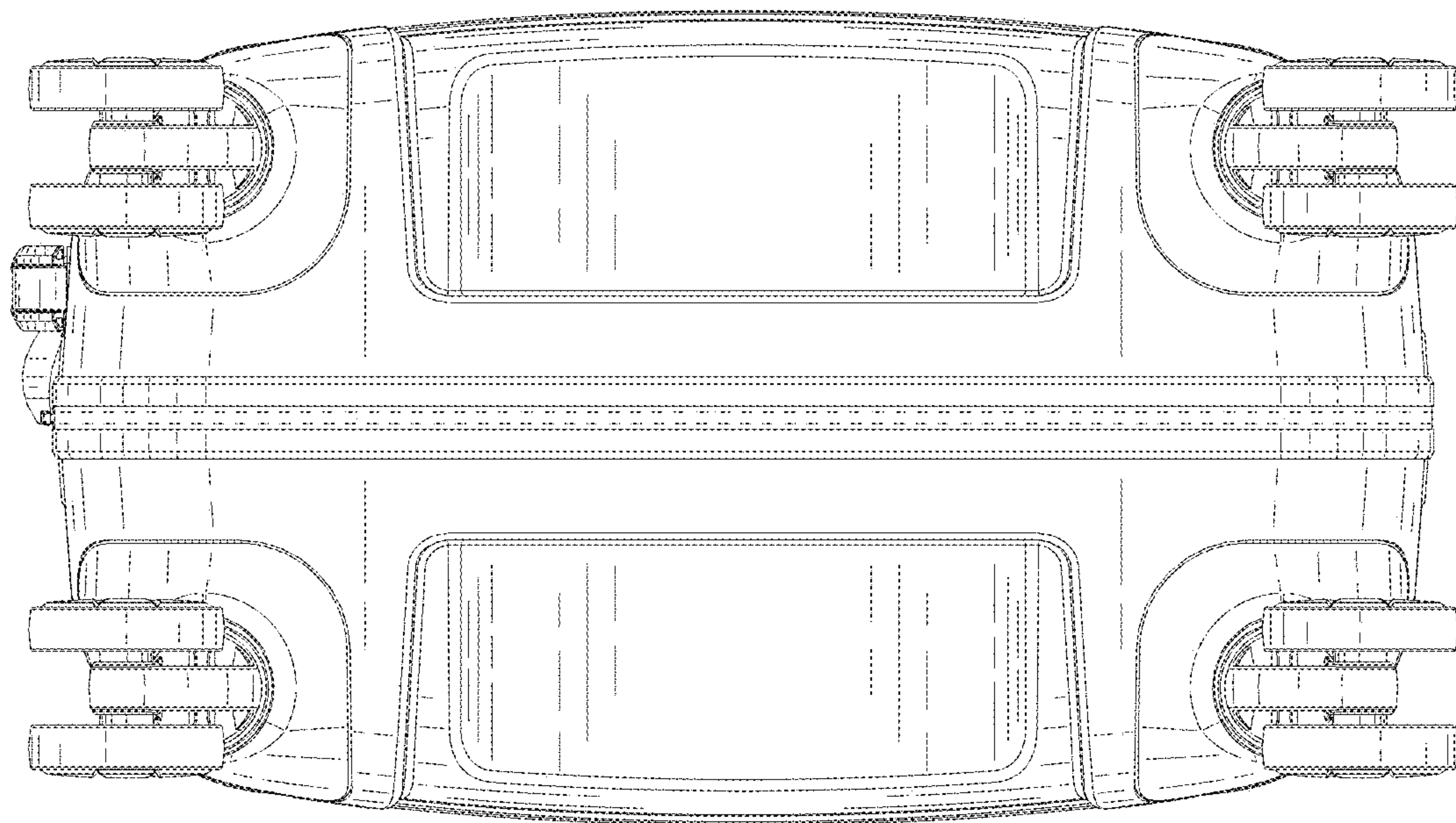


FIG. 8

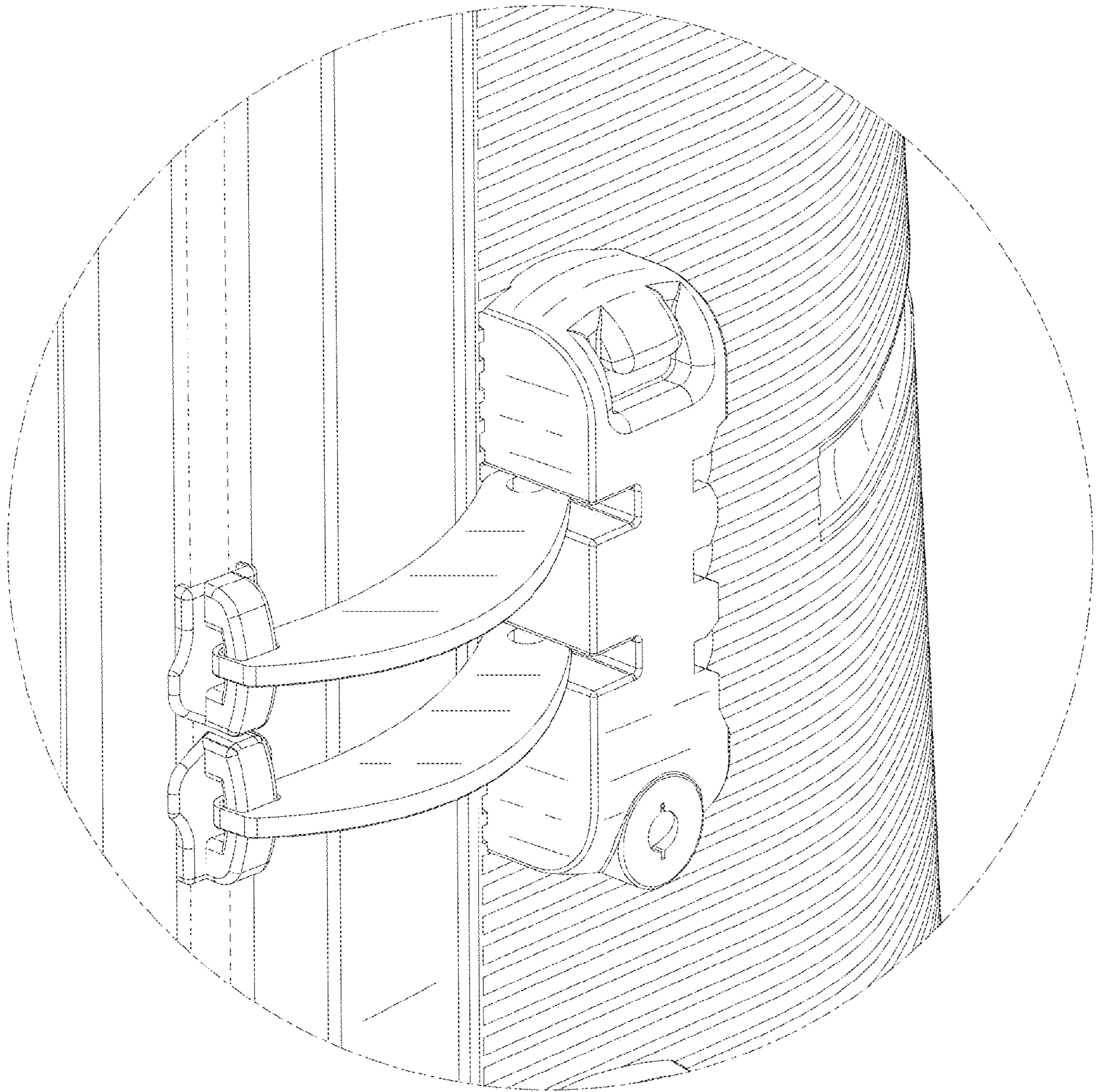


FIG. 9

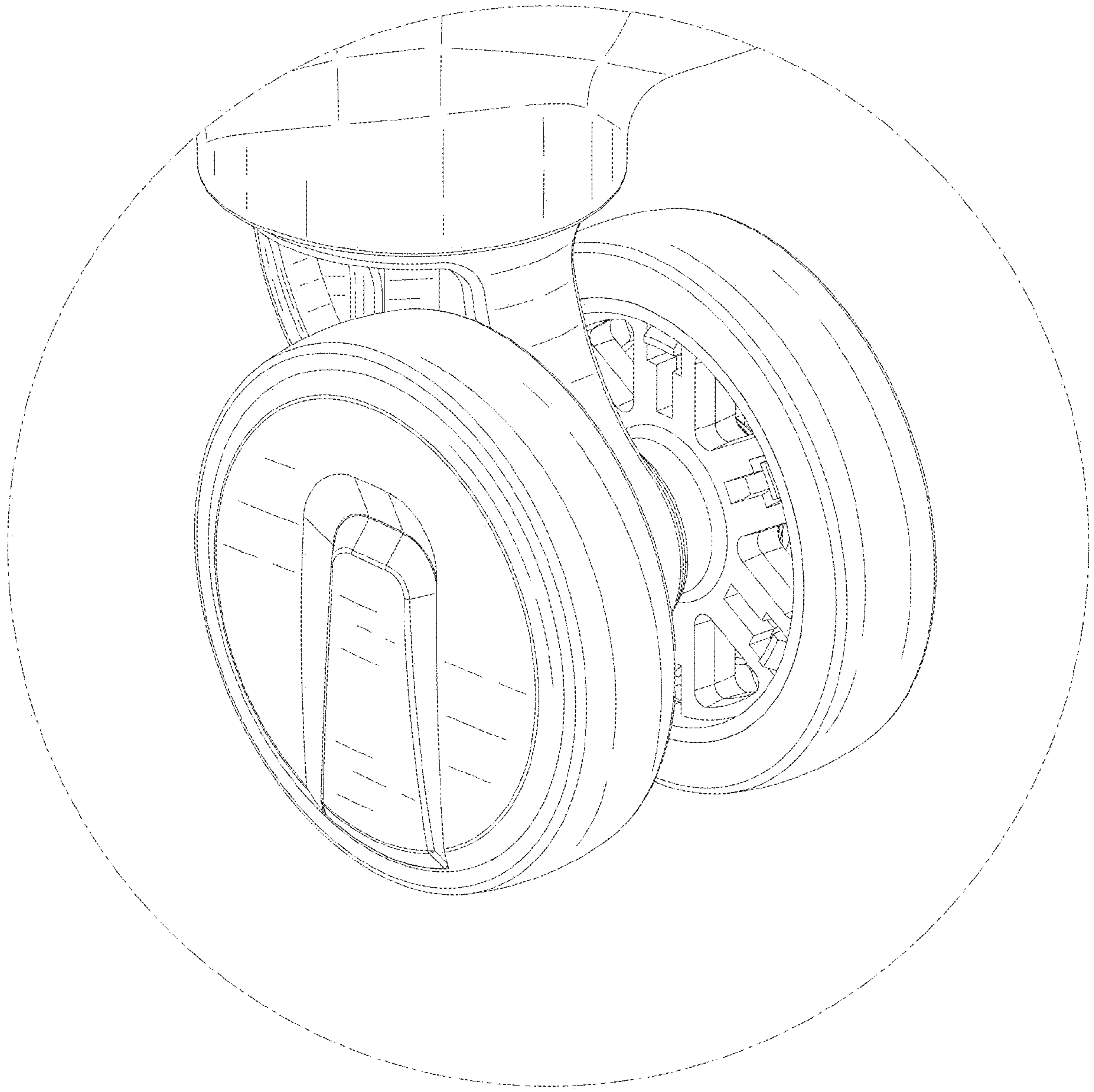


FIG. 10