



US00D975436S

(12) **United States Design Patent**
Yan

(10) **Patent No.:** **US D975,436 S**
(45) **Date of Patent:** **** Jan. 17, 2023**

(54) **HOLSTER**

(71) Applicant: **Mei Yan**, Honghu (CN)

(72) Inventor: **Mei Yan**, Honghu (CN)

(**) Term: **15 Years**

(21) Appl. No.: **29/850,302**

(22) Filed: **Aug. 18, 2022**

(51) **LOC (14) Cl.** **03-01**

(52) **U.S. Cl.**

USPC **D3/222**

(58) **Field of Classification Search**

USPC D3/222; 224/243–244

CPC A45F 3/02; A45F 3/10; A45F 5/00; A45F

5/02; A45F 5/021; F41C 33/0209; F41C

33/0263; F41C 33/041; F41C 33/045;

F41C 33/048; F41C 33/0236; F41C

33/0254; F42B 39/02

See application file for complete search history.

(56) **References Cited**

U.S. PATENT DOCUMENTS

D501,991 S *	2/2005	Cook	D3/222
8,474,670 B1 *	7/2013	Gregory	F41C 33/0263
				224/912
8,720,755 B2 *	5/2014	Gregory	F41C 33/0209
				224/244
D835,399 S *	12/2018	Sereday	D3/222
D877,498 S	3/2020	Lindell		
D917,878 S *	5/2021	Huang	D3/222
D919,965 S *	5/2021	Xia	D3/222
D928,504 S *	8/2021	Li	D3/222
D933,952 S *	10/2021	Sun	D3/222
D959,823 S *	8/2022	Grill	D3/217
2012/0223110 A1 *	9/2012	Gregory	F41C 33/0209
				224/193

OTHER PUBLICATIONS

https://www.amazon.com/Holster-Holsters-Waistband-Concealed-Man-Adj-Cant/dp/B08BWZ841G/ref=sr_1_2?crid=1ALI4CZ95ZOF6&keywords=G19+Holster+owb+holster+compatible+with+Glock+19&qid=1668787174&srefix=g19+holster+owb+holster+compatible+with+glock+19%2Caps%2C70&sr=8-2 (Year: 2020).*

https://www.amazon.com/CYTAC-Holster-Outside-Waistband-Paddle/dp/B07QQWKX31/ref=sr_1_1?crid=MP35KNMJ4QSN&keywords=CYTAC+level+III%2Flevel+II+duty+holster+for+glock+17+gen+5%2Fglock+17+22+31+gen+1-4+rh%2Flh+options&qid=1668787922&srefix=cytac+level+iii%2Flevel+ii+duty+holster+for+glock+17+gen+5%2Fglock+17+22+31+gen+1-4+rh%2Flh+options&qid=1668787922&srefix=cytac+level+iii%2Flevel+ii+duty+holster+for+glock+17+gen+5%2Fglock+17+22+31+gen+1-4+rh%2Flh+options%2Caps%2C64&sr=8-1 (Year: 2021).*

* cited by examiner

Primary Examiner — Catherine R Oliver-Garcia

(57) **CLAIM**

The ornamental design for a holster, as shown and described.

DESCRIPTION

FIG. 1 is a front and top perspective view of a holster, showing my new design;

FIG. 2 is a rear and bottom perspective view thereof;

FIG. 3 is a front elevation view thereof;

FIG. 4 is a rear elevation view thereof;

FIG. 5 is a left side elevation view thereof;

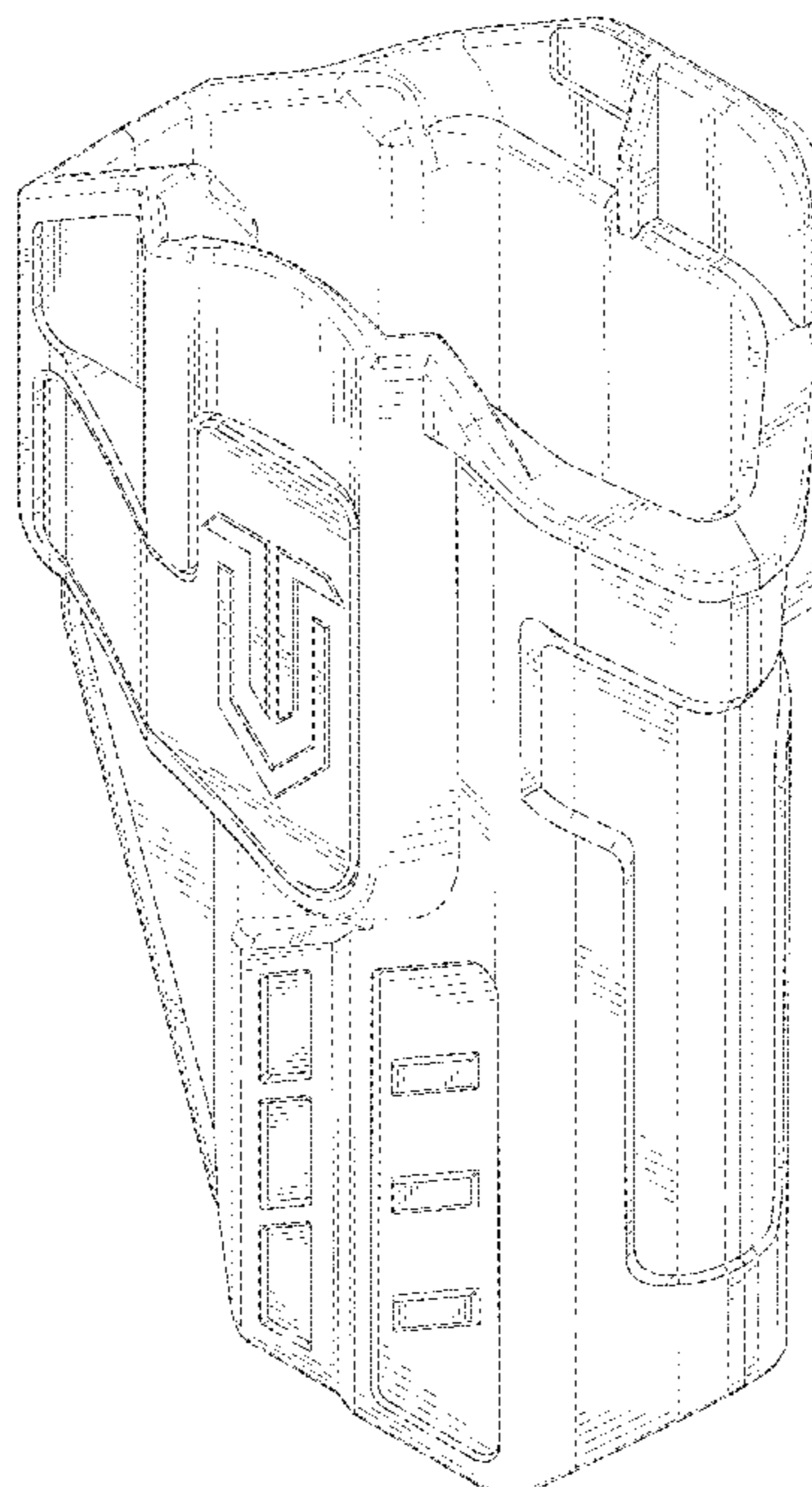
FIG. 6 is a right side elevation view thereof;

FIG. 7 is a top plan view thereof; and,

FIG. 8 is a bottom plan view thereof.

The broken lines in the figures illustrate portions of the holster that form no part of the claimed design.

1 Claim, 8 Drawing Sheets



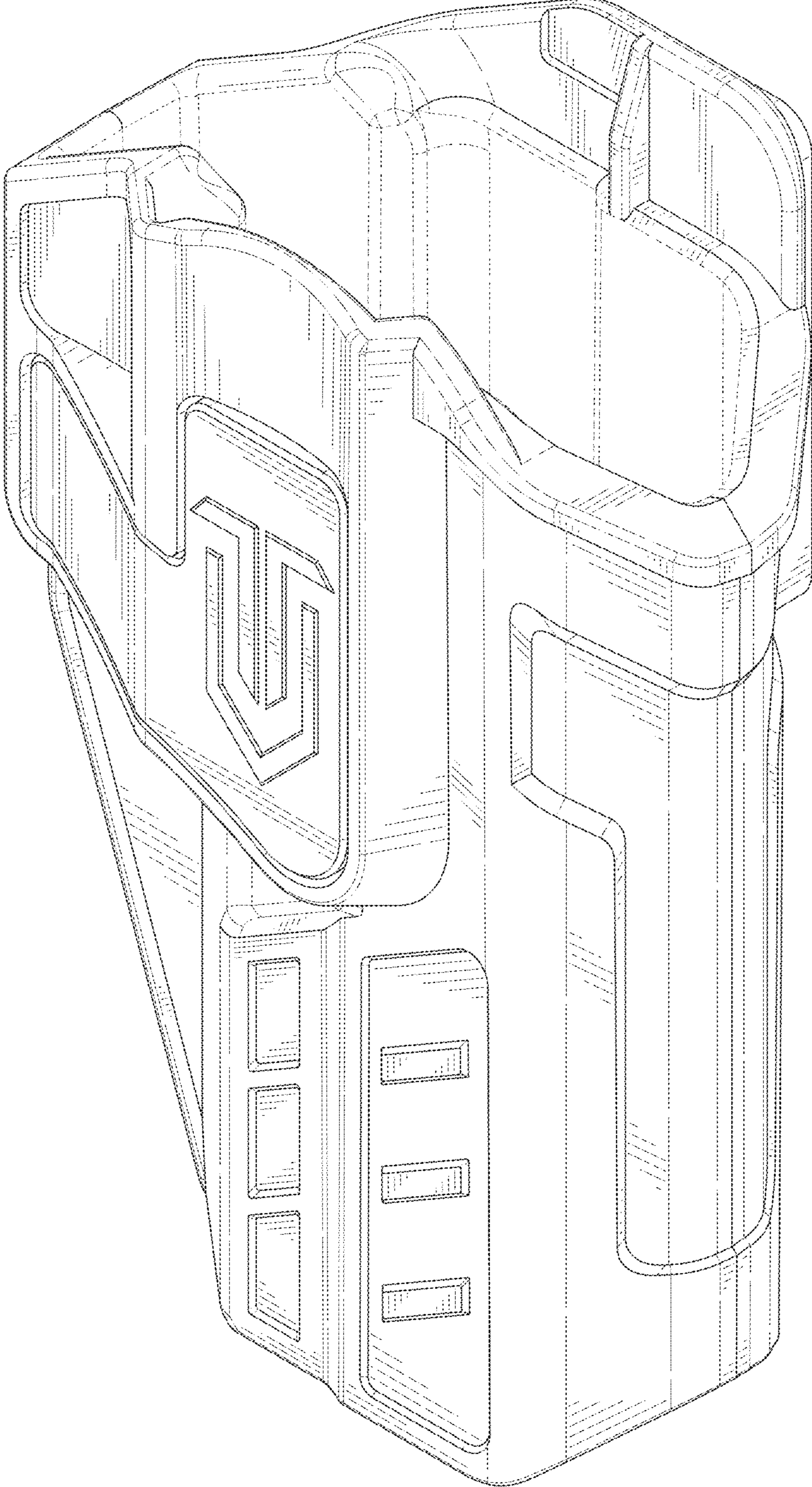


FIG. 1

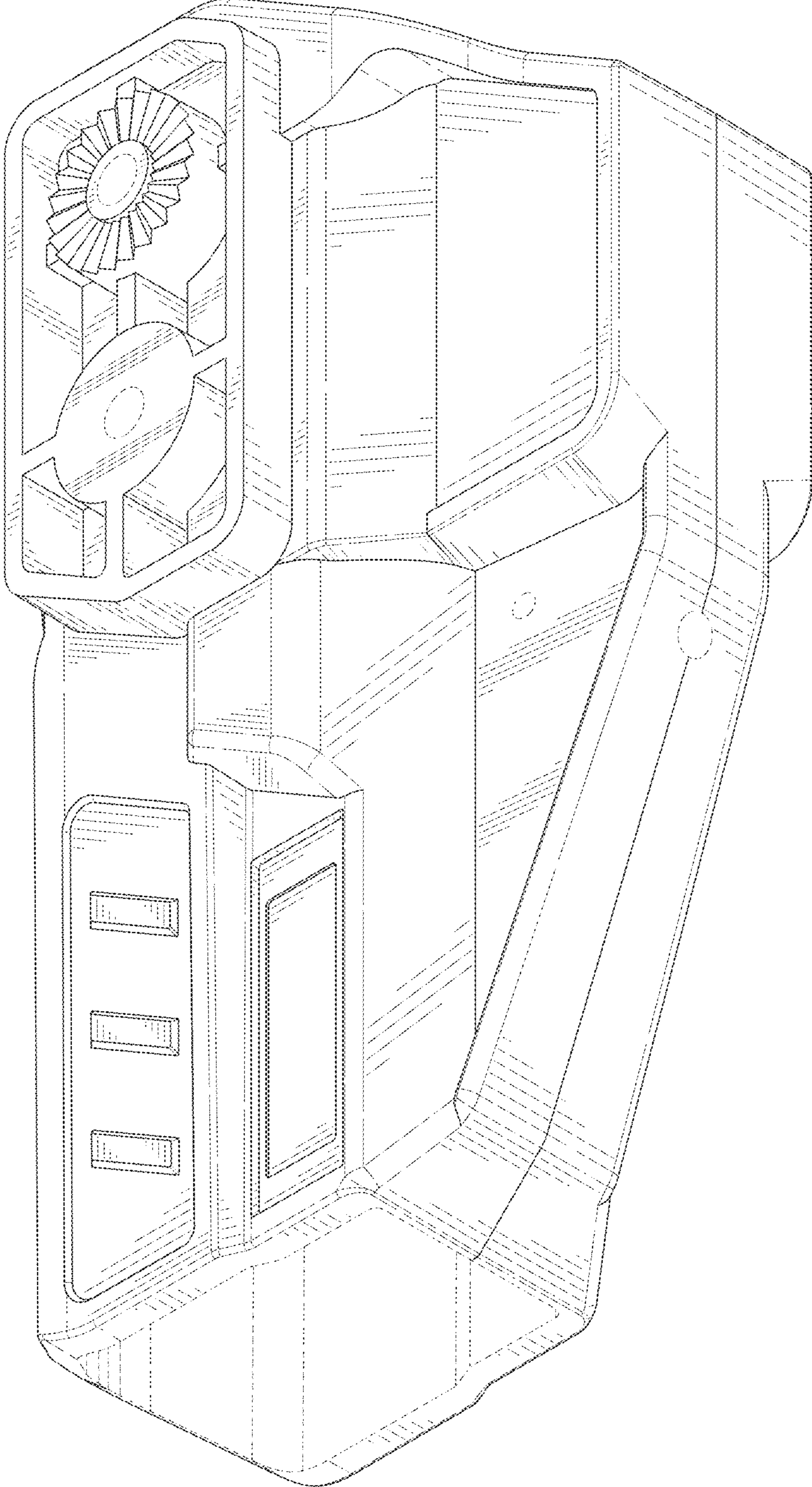


FIG. 2

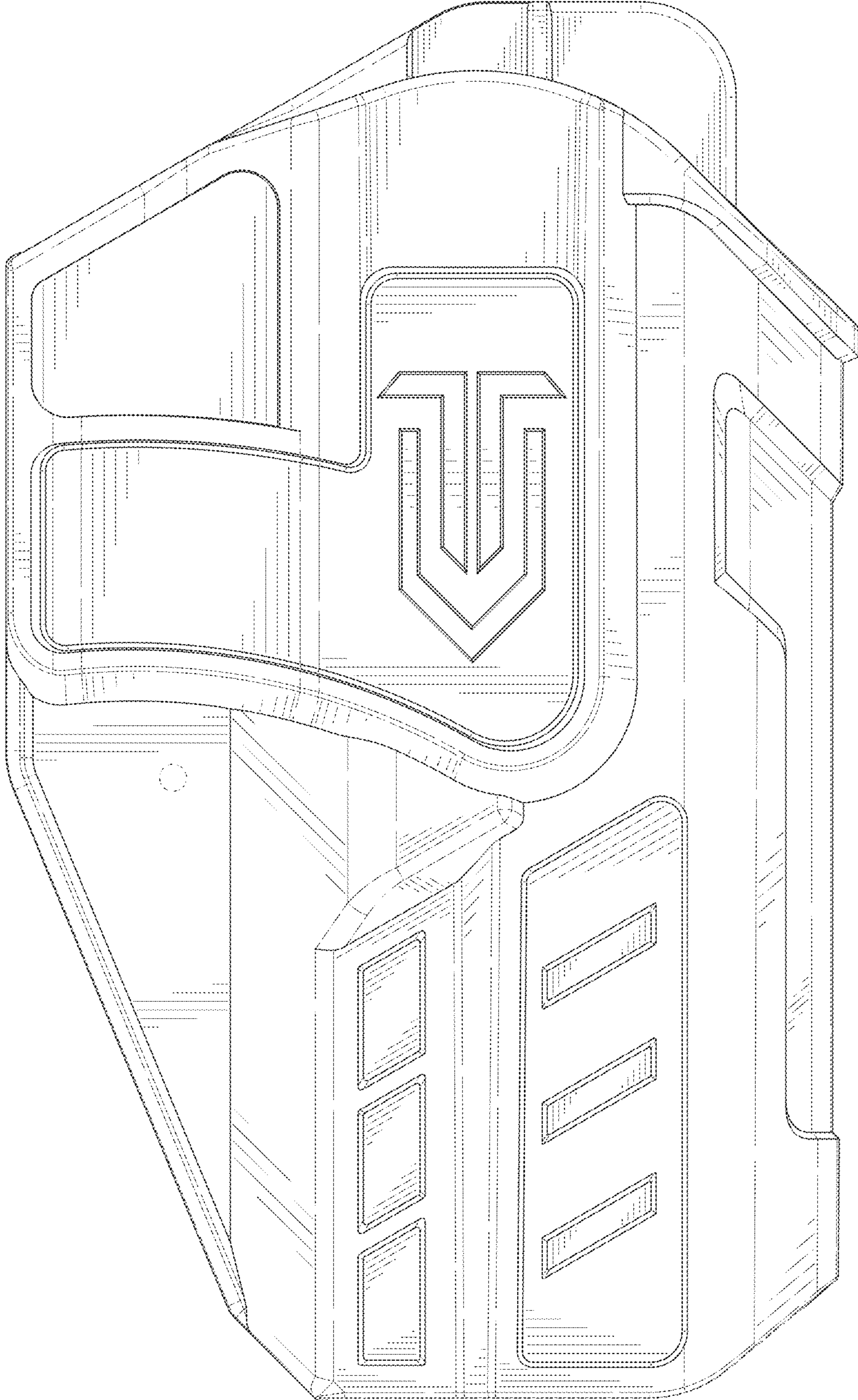


FIG. 3

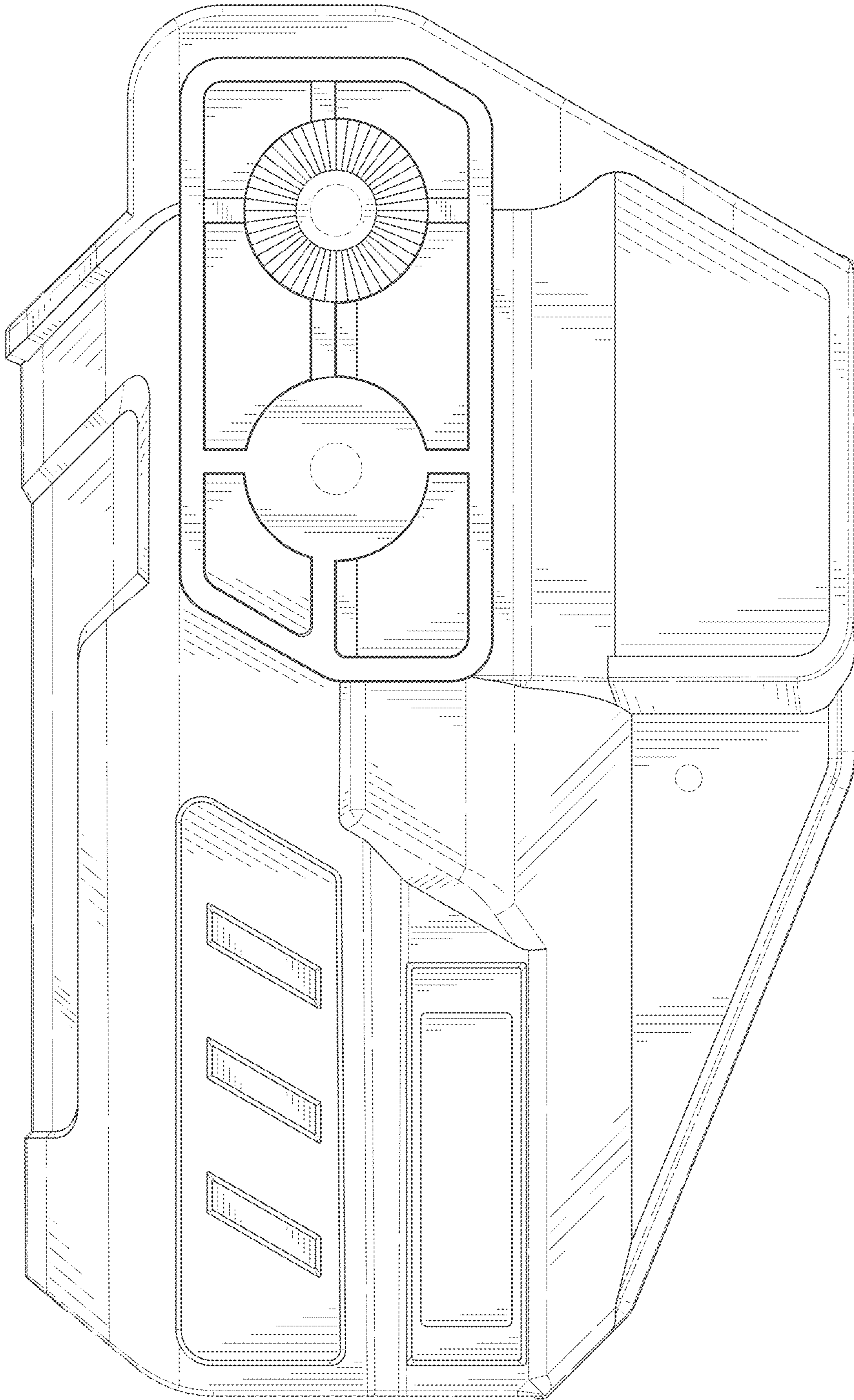


FIG. 4

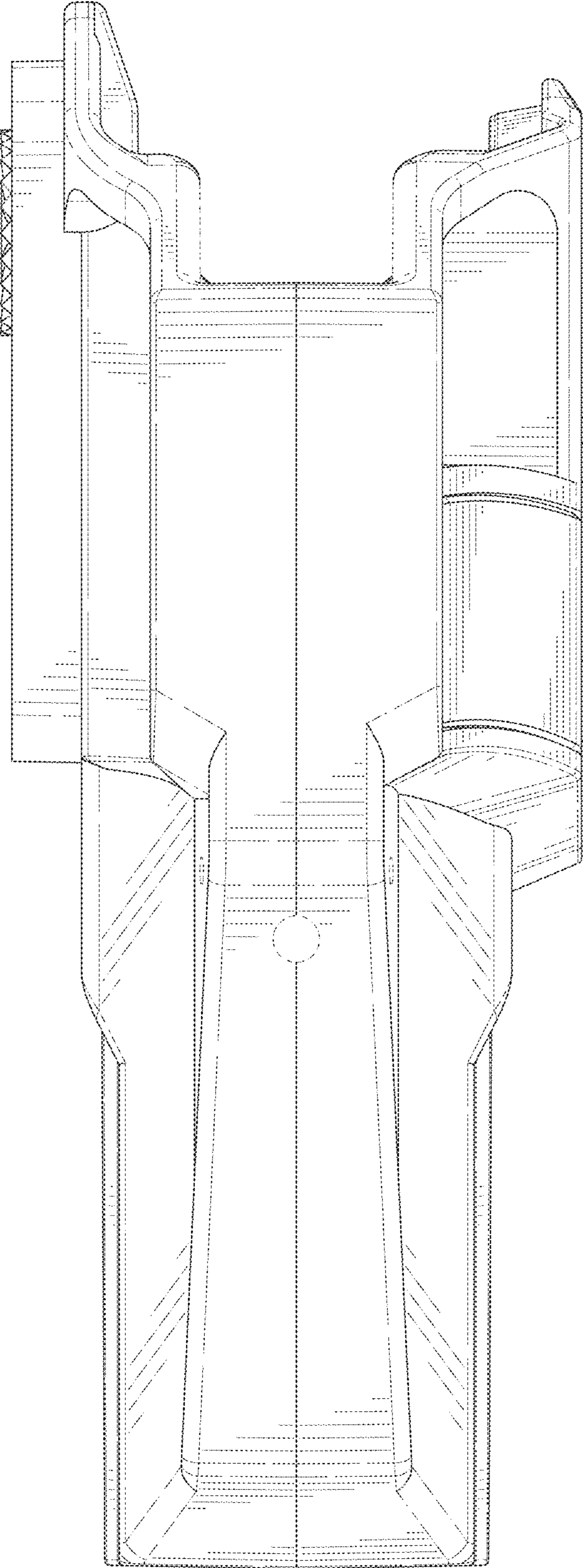


FIG. 5

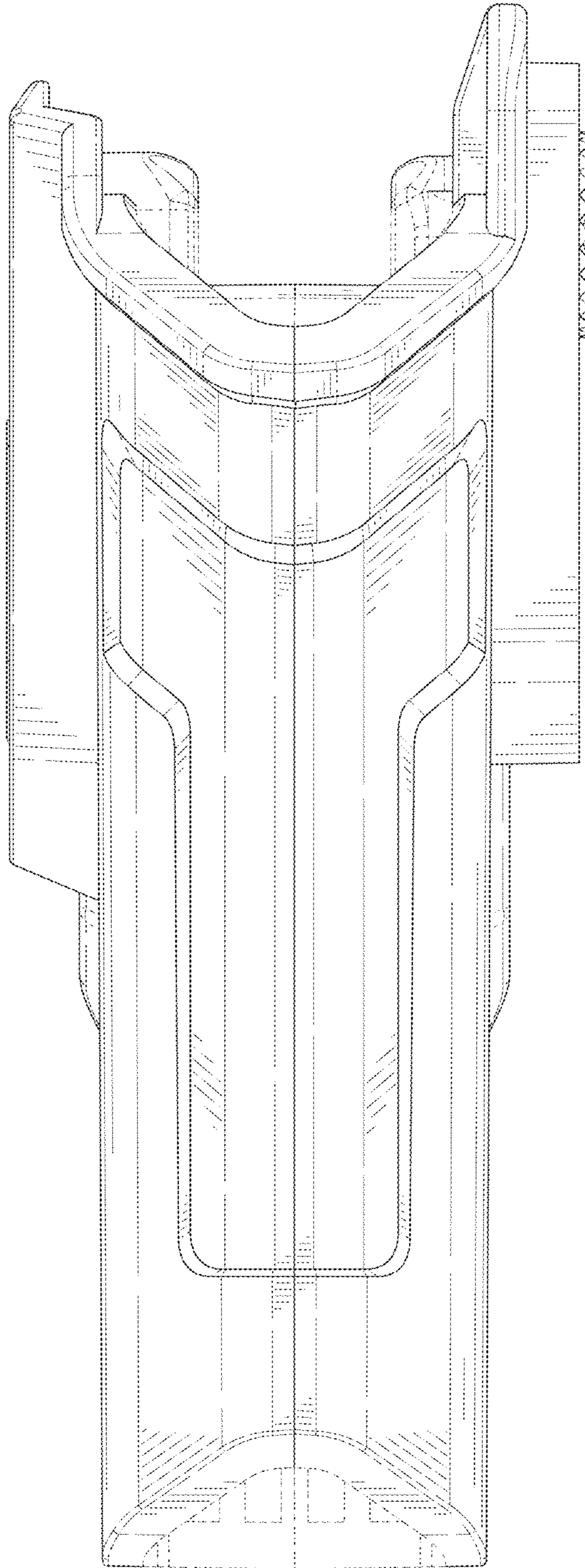


FIG. 6

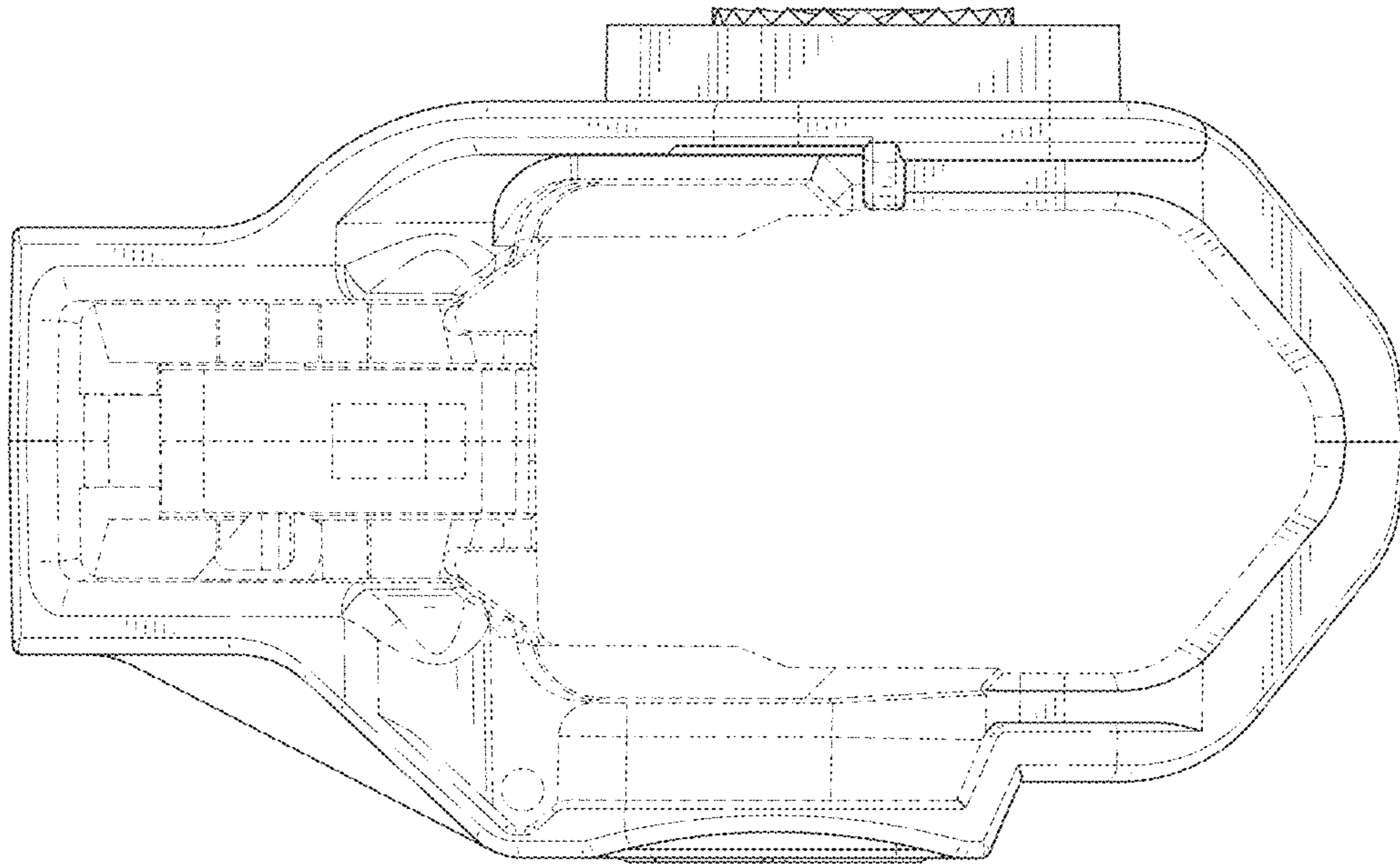


FIG. 7

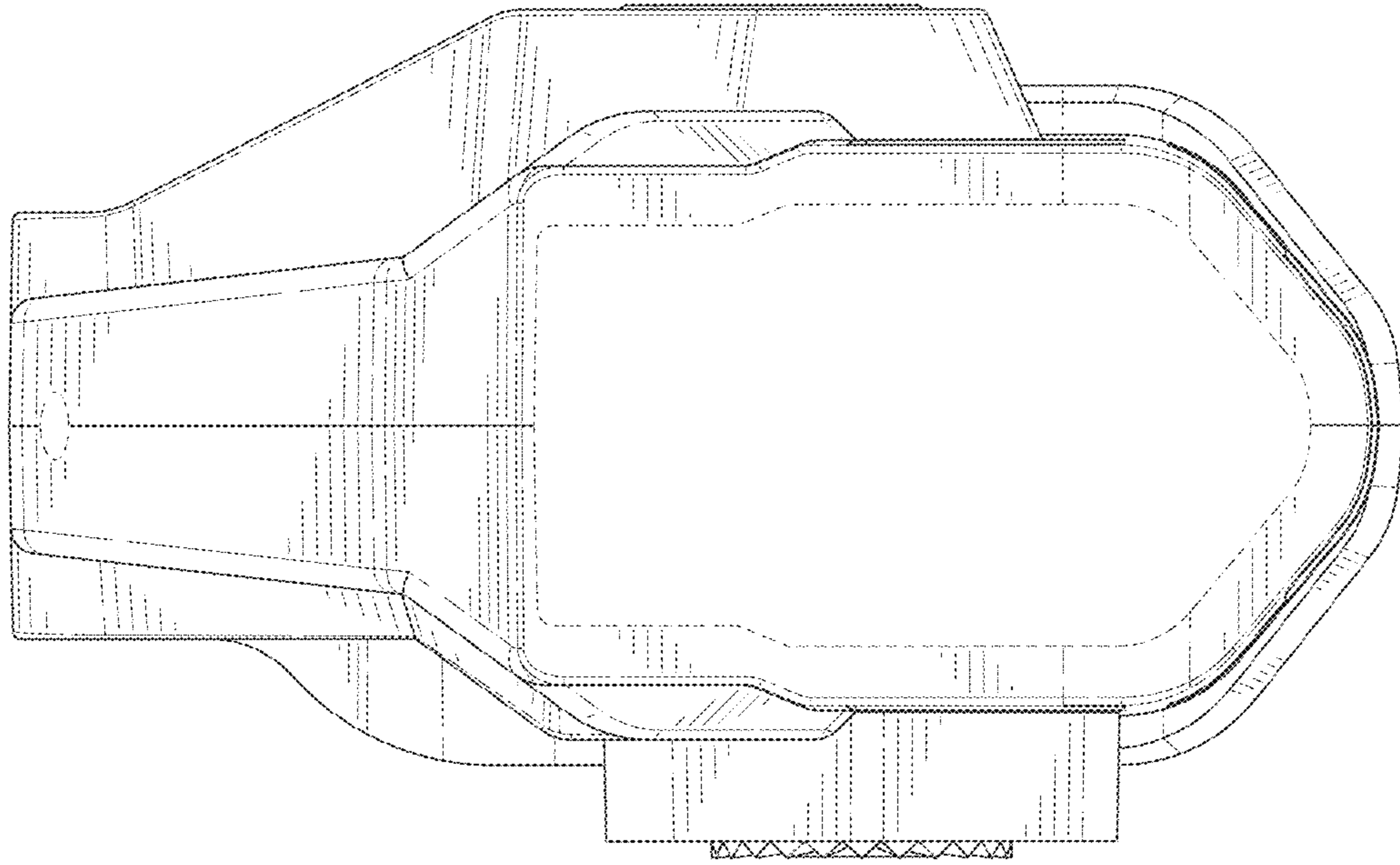


FIG. 8