



US00D975435S

(12) **United States Design Patent** (10) **Patent No.:** **US D975,435 S**
You (45) **Date of Patent:** **** Jan. 17, 2023**

(54) **HOLSTER**
(71) Applicant: **Xiaoli You**, ShenZhen (CN)
(72) Inventor: **Xiaoli You**, ShenZhen (CN)

D928,504 S * 8/2021 Li D3/222
D945,149 S * 3/2022 Zhang D3/222
D946,886 S * 3/2022 Zhang D3/222
D957,119 S * 7/2022 Hu D3/222
2022/0178649 A1* 6/2022 Smith F41C 33/0254

(**) Term: **15 Years**

FOREIGN PATENT DOCUMENTS

(21) Appl. No.: **29/819,415**

CN 303173516 * 4/2015
CN 304660337 * 6/2018
CN 305257994 * 7/2019
CN 305414985 * 11/2019
CN 306850606 * 9/2021
CN 306924613 * 11/2021
CN 307445468 * 7/2022

(22) Filed: **Dec. 15, 2021**

(51) **LOC (14) Cl.** **03-01**

(52) **U.S. Cl.**
USPC **D3/222**

* cited by examiner

(58) **Field of Classification Search**
USPC D3/215, 218, 220–226, 262, 228–230,
D3/269, 303–304, 318, 327–328;
D22/108–109, 117–118, 199; D2/627,
D2/629, 639; D8/71; D19/75, 77, 81,
D19/84–85, 102–103
CPC F41C 33/0236; F41C 33/0254; F41C
33/0263; F41C 33/0227; F41C 33/041;
F41C 33/048; F41C 33/0209; F41C 35/02
See application file for complete search history.

Primary Examiner — Mary Shannon Malley
Assistant Examiner — Christopher John Suarez La Rosa

(57) **CLAIM**

The ornamental design for a holster, as shown and described.

DESCRIPTION

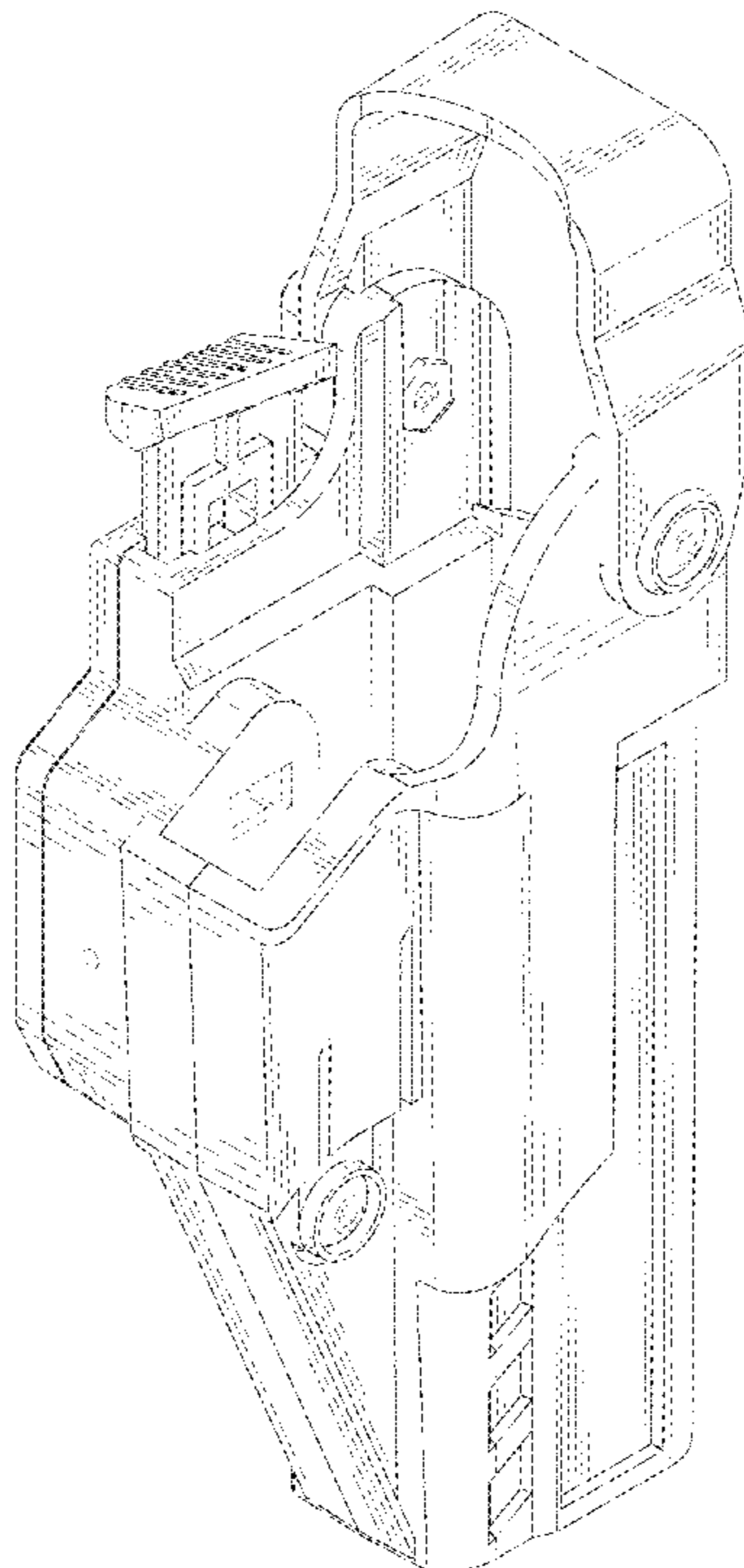
FIG. 1 is a front and top perspective view of a holster, showing my new design;
FIG. 2 is a rear and bottom perspective view thereof;
FIG. 3 is a front elevation view thereof;
FIG. 4 is a rear elevation view thereof;
FIG. 5 is a left side elevation view thereof;
FIG. 6 is a right side elevation view thereof;
FIG. 7 is a top plan view thereof; and,
FIG. 8 is a bottom plan view thereof.
The broken lines in the figures illustrate portions of the holster that form no part of the claimed design.

(56) **References Cited**

U.S. PATENT DOCUMENTS

D603,159 S * 11/2009 Zusman D3/222
D784,008 S * 4/2017 Rogers D3/222
D835,400 S * 12/2018 Resca D3/222
D838,474 S * 1/2019 Tang D3/222
D841,319 S * 2/2019 Tang D3/222
D841,320 S * 2/2019 Tang D3/222
D877,498 S * 3/2020 Lindell
D925,216 S * 7/2021 Wu D3/222
D928,503 S * 8/2021 Cai D3/222

1 Claim, 8 Drawing Sheets



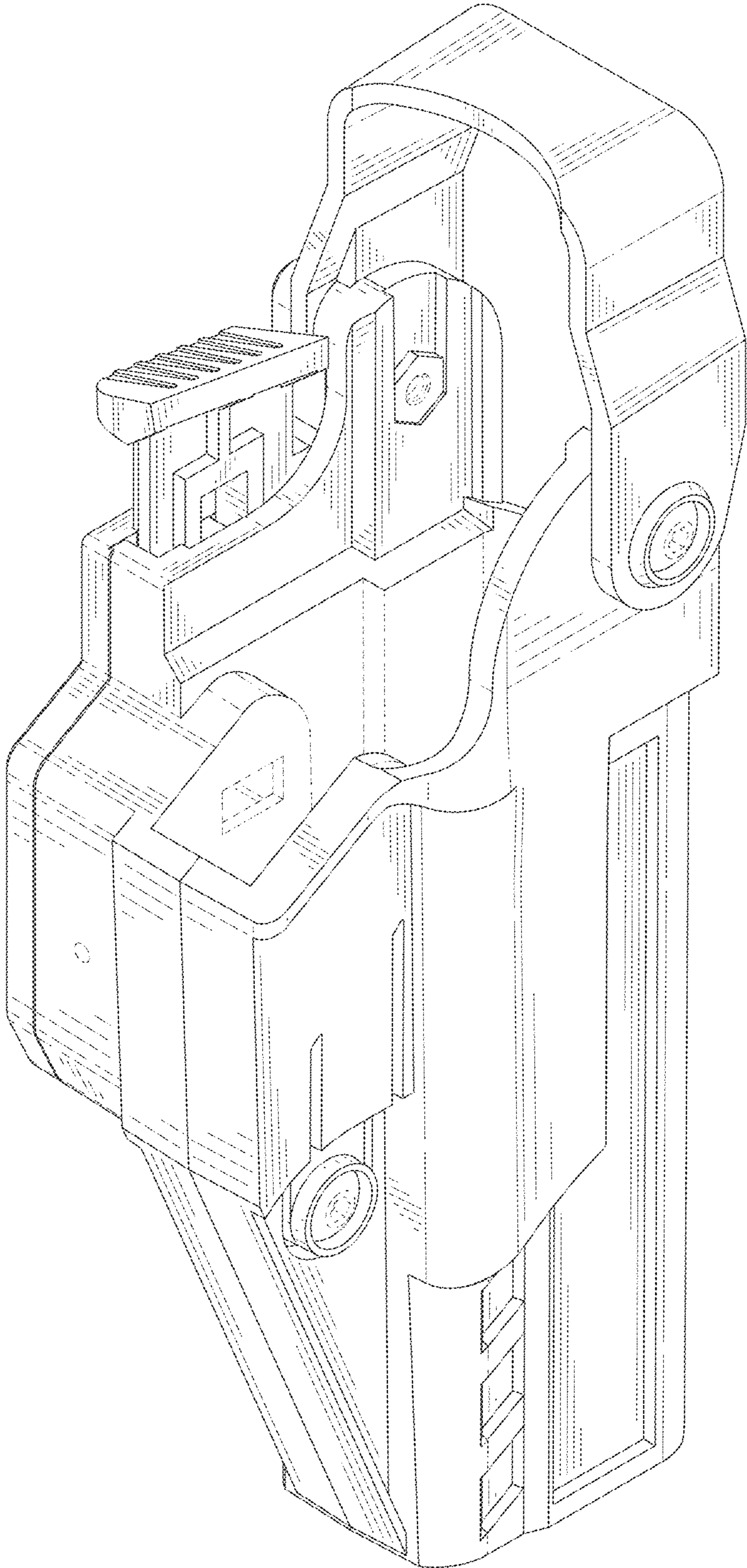


FIG. 1

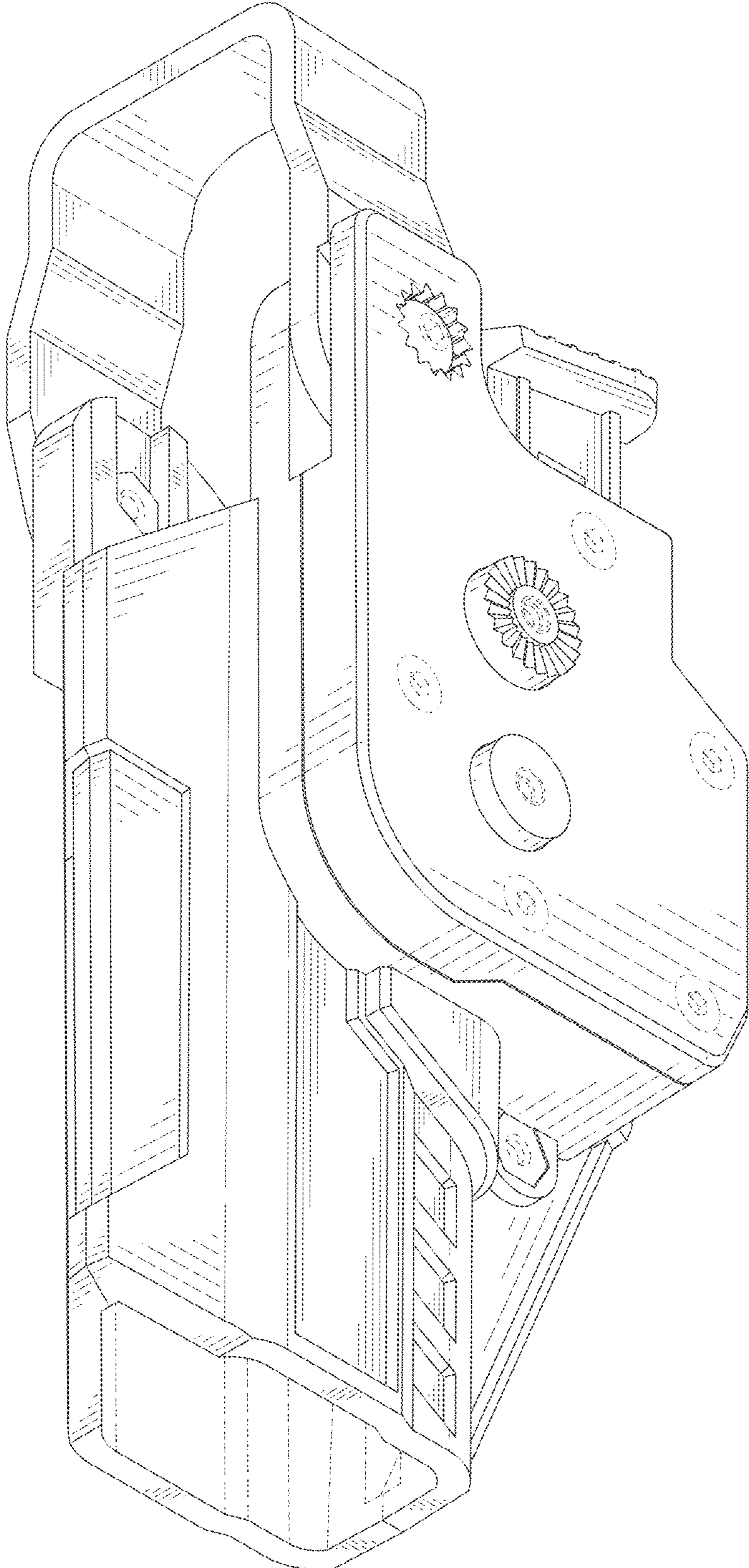


FIG. 2

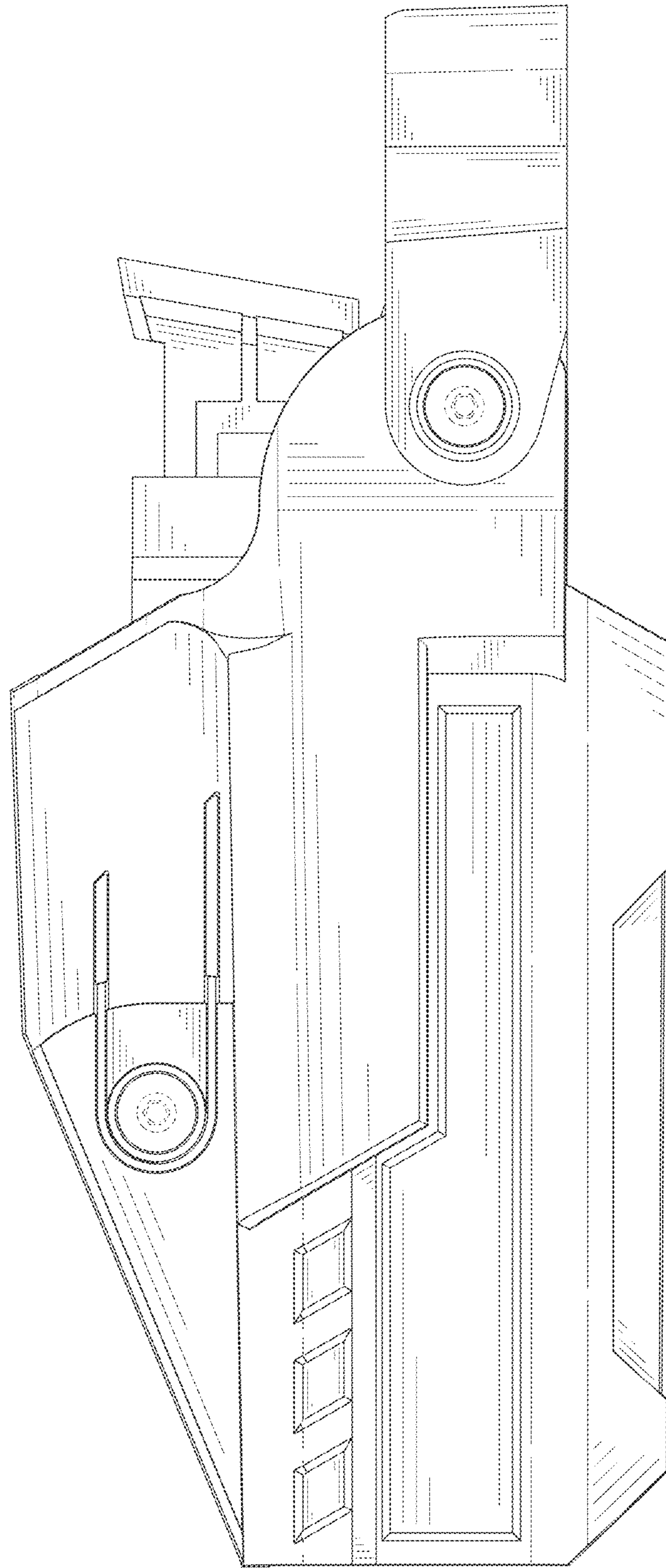


FIG. 3

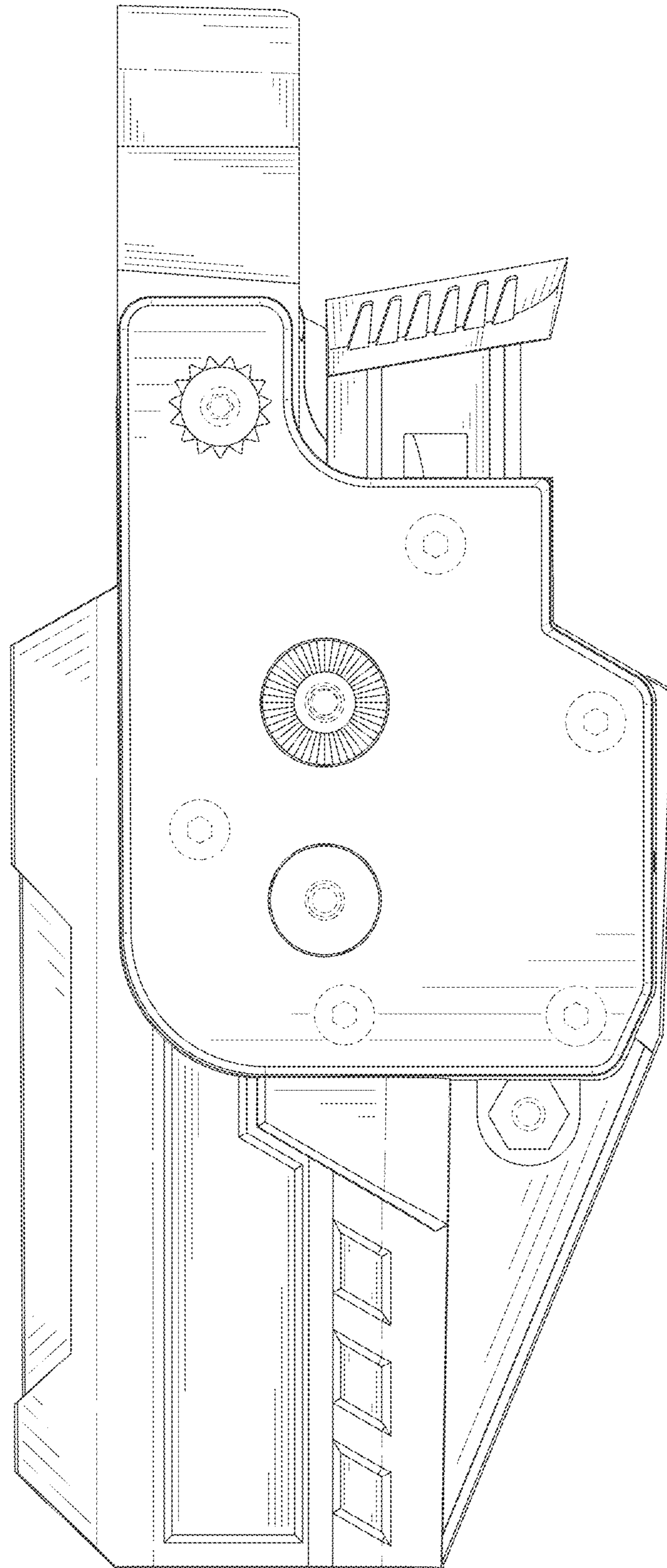


FIG. 4

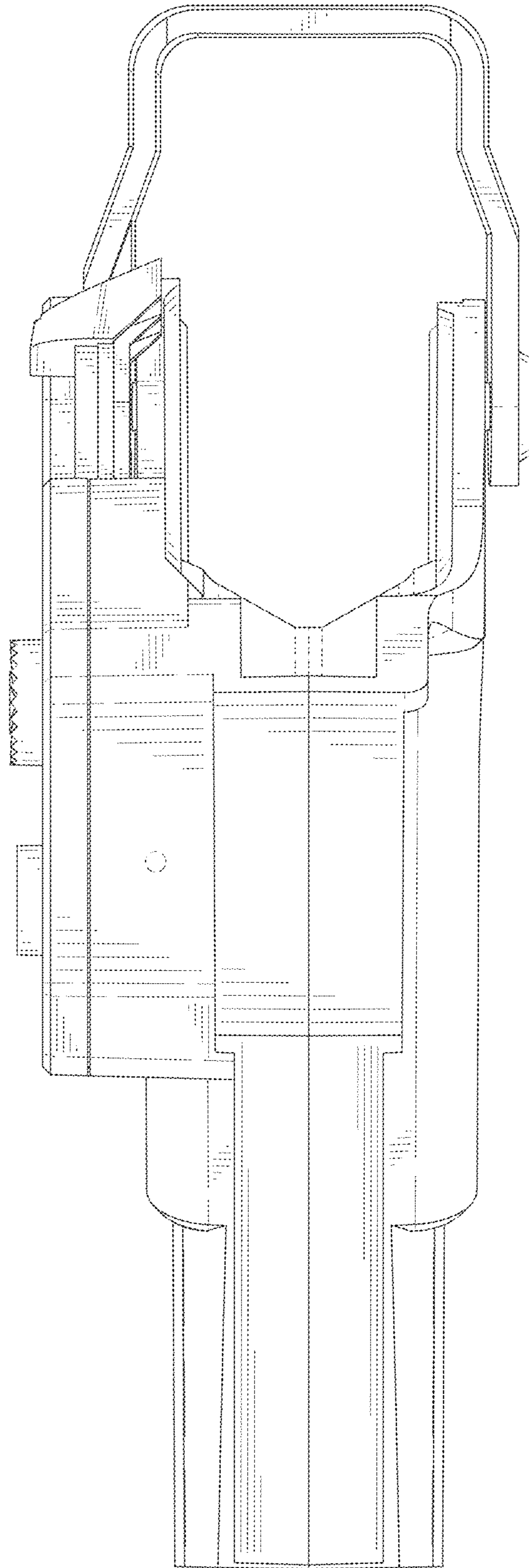


FIG. 5

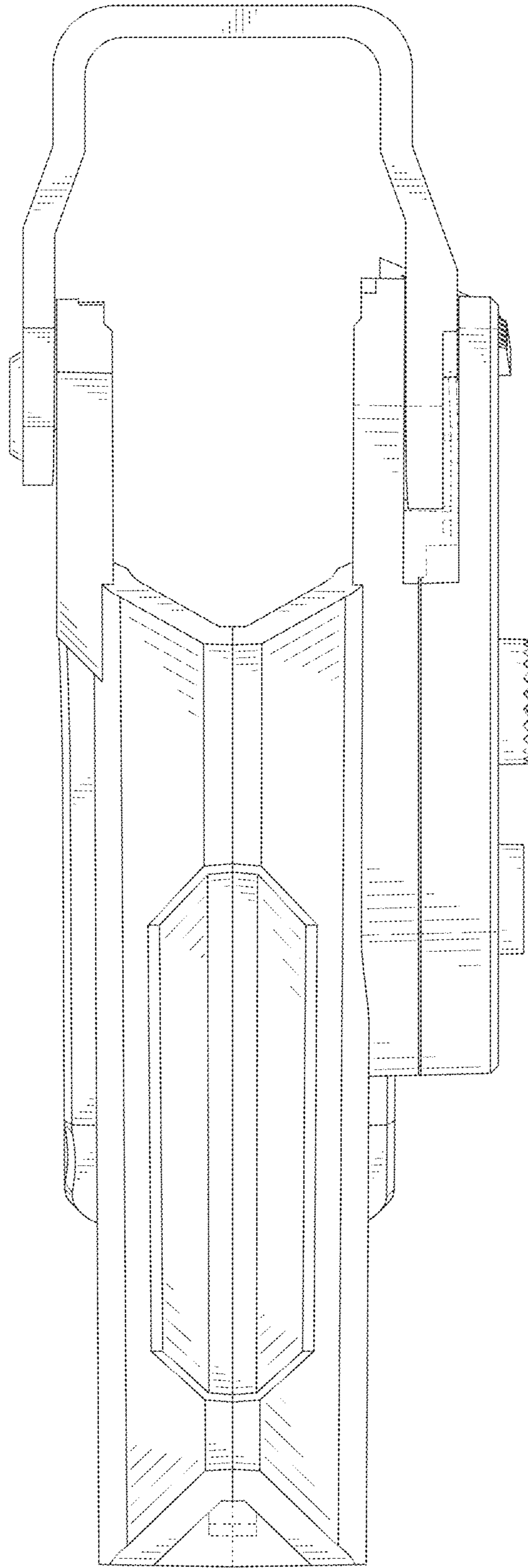


FIG. 6

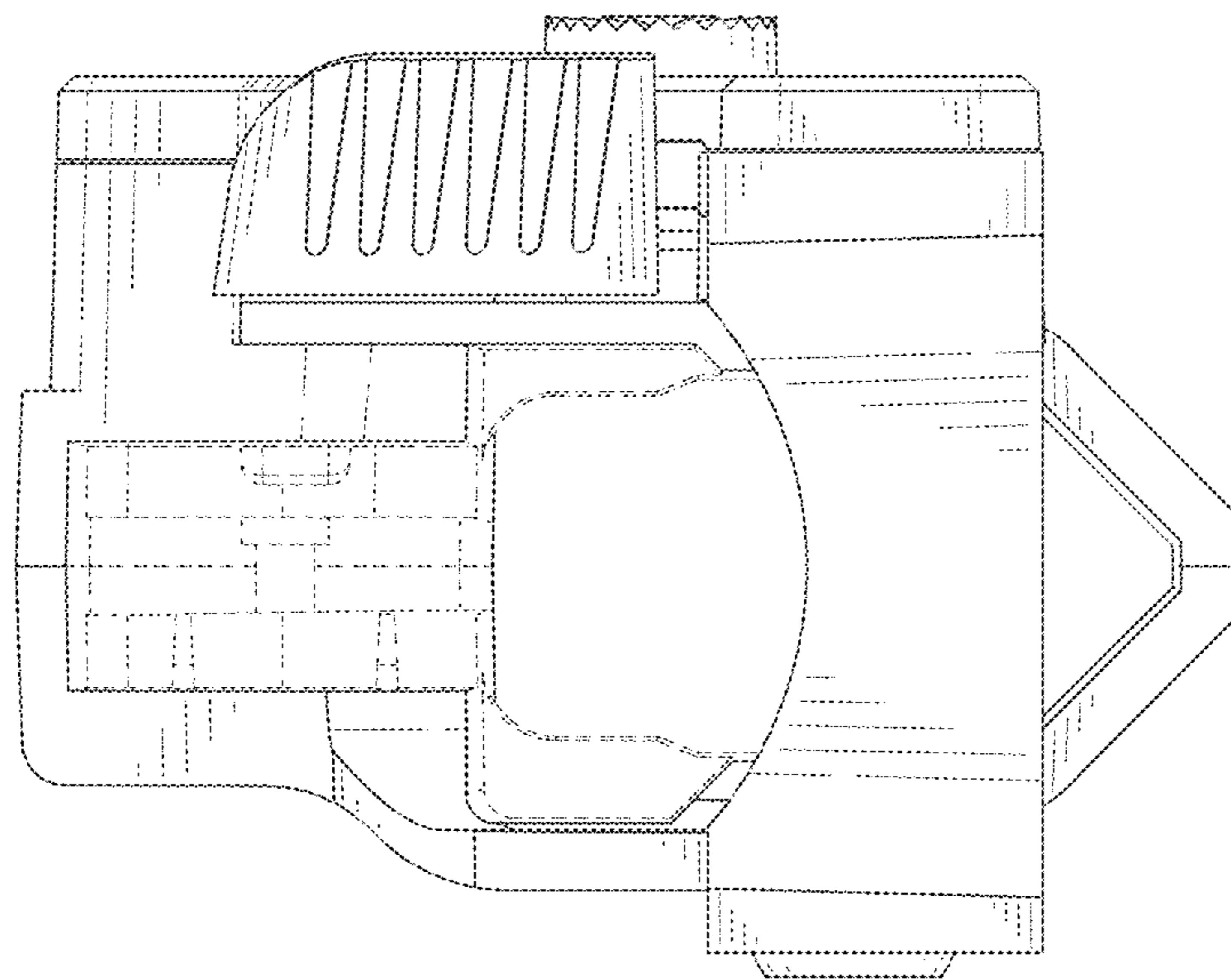


FIG. 7

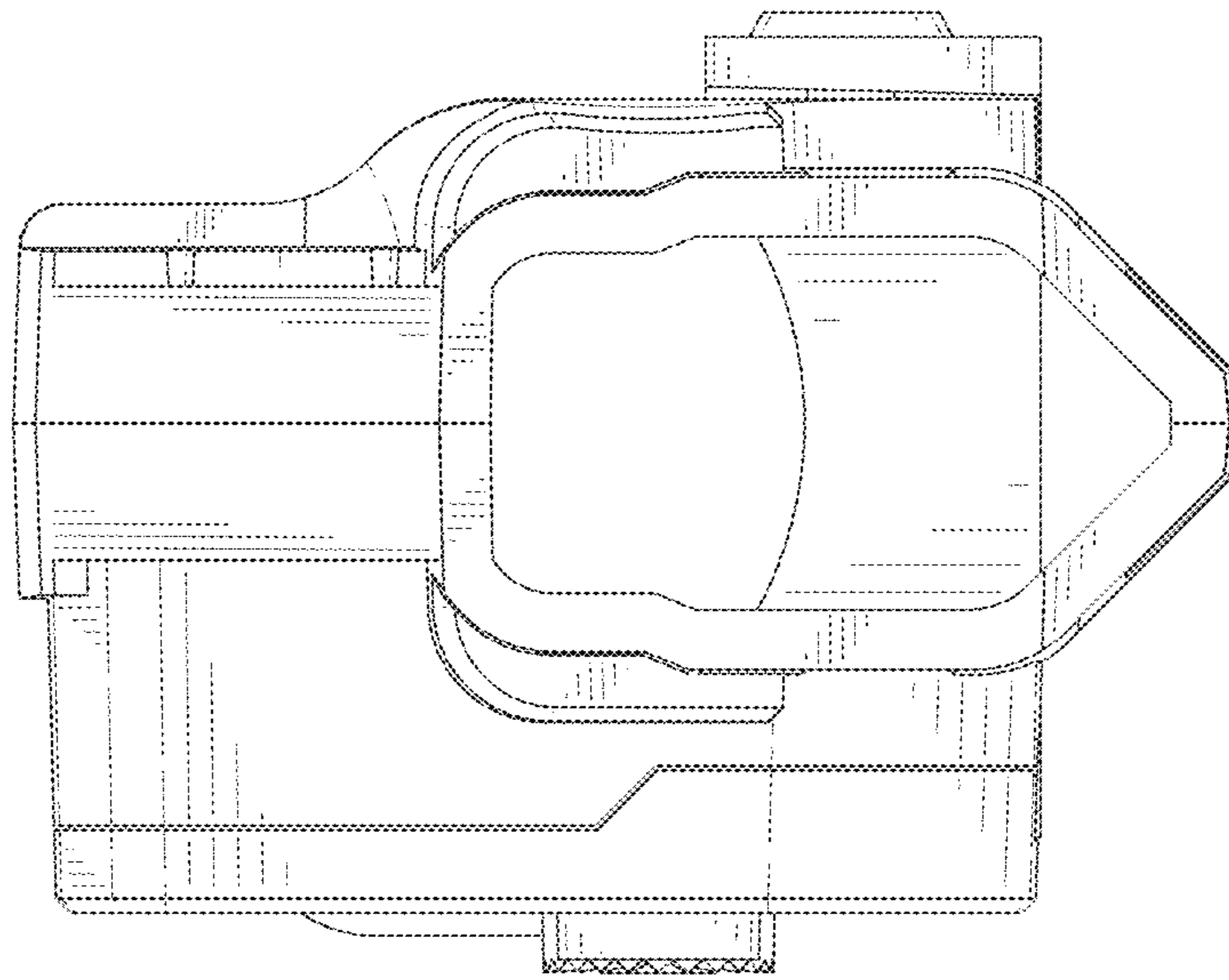


FIG. 8