



US00D975432S

(12) **United States Design Patent**
Fulton et al.

(10) **Patent No.:** **US D975,432 S**
(45) **Date of Patent:** **** Jan. 17, 2023**

- (54) **BACKPACK FRAME**
- (71) Applicant: **Frog Physics, LLC**, Scottsdale, AZ (US)
- (72) Inventors: **Kimberly Fulton**, Scottsdale, AZ (US);
Stuart Melville, San Diego, CA (US)
- (**) Term: **15 Years**
- (21) Appl. No.: **29/759,695**
- (22) Filed: **Nov. 24, 2020**
- (51) **LOC (14) Cl.** **03-01**
- (52) **U.S. Cl.**
USPC **D3/216**
- (58) **Field of Classification Search**
USPC D3/214–226, 230–233, 242–244, 254;
D10/78, 103, 121; D13/110, 148;
D14/299; D21/322, 334, 399, 686, 769
CPC A45F 3/00; A45F 3/005; A45F 3/02; A45F
3/04; A45F 3/042; A45F 3/047; A45F
3/06; A45F 3/08; A45F 3/10; A45F
2003/001; A45F 2003/002; A45F
2003/003; A45F 2003/006; A45F
2003/007; A45F 2003/008; A45F
2003/025; A45F 2003/045; A45F
2200/00; A45F 2200/05; A45F
2200/0525; A45F 2200/0533
See application file for complete search history.

(56) **References Cited**
U.S. PATENT DOCUMENTS

D171,382 S *	2/1954	Brown	D3/221
D259,948 S *	7/1981	Bianchi	D3/226
4,602,654 A	7/1986	Stehling et al.		
D285,474 S *	9/1986	Tosch	D21/769
D317,343 S *	6/1991	Concannon	D21/769
D352,822 S *	11/1994	Levis	D3/217
5,961,014 A	10/1999	Knerr		
D422,525 S *	4/2000	Mongeau	D10/121
D426,700 S *	6/2000	Gregory	D3/216

D453,068 S *	1/2002	Rogers	F41C 33/041 D3/222
D613,497 S *	4/2010	Pho	D3/217
7,793,809 B2 *	9/2010	Howell	A45F 3/10 224/628

(Continued)

FOREIGN PATENT DOCUMENTS

CA	185788	*	8/2020
CN	305678217	*	4/2020

(Continued)

OTHER PUBLICATIONS

Filbe Ruck Pack Frame 1606 AC, available at armynavyoutdoors.com, date not available [online], site visited May 11, 2022, available from the internet URL: <https://armynavyoutdoors.com/filbe-ruck-pack-frame-1606-ac-military-surplus/> (Year: 2022).*

(Continued)

Primary Examiner — Messina L Smith
Assistant Examiner — Jillian Mazzola
(74) *Attorney, Agent, or Firm* — Shaddock Law Group, PC

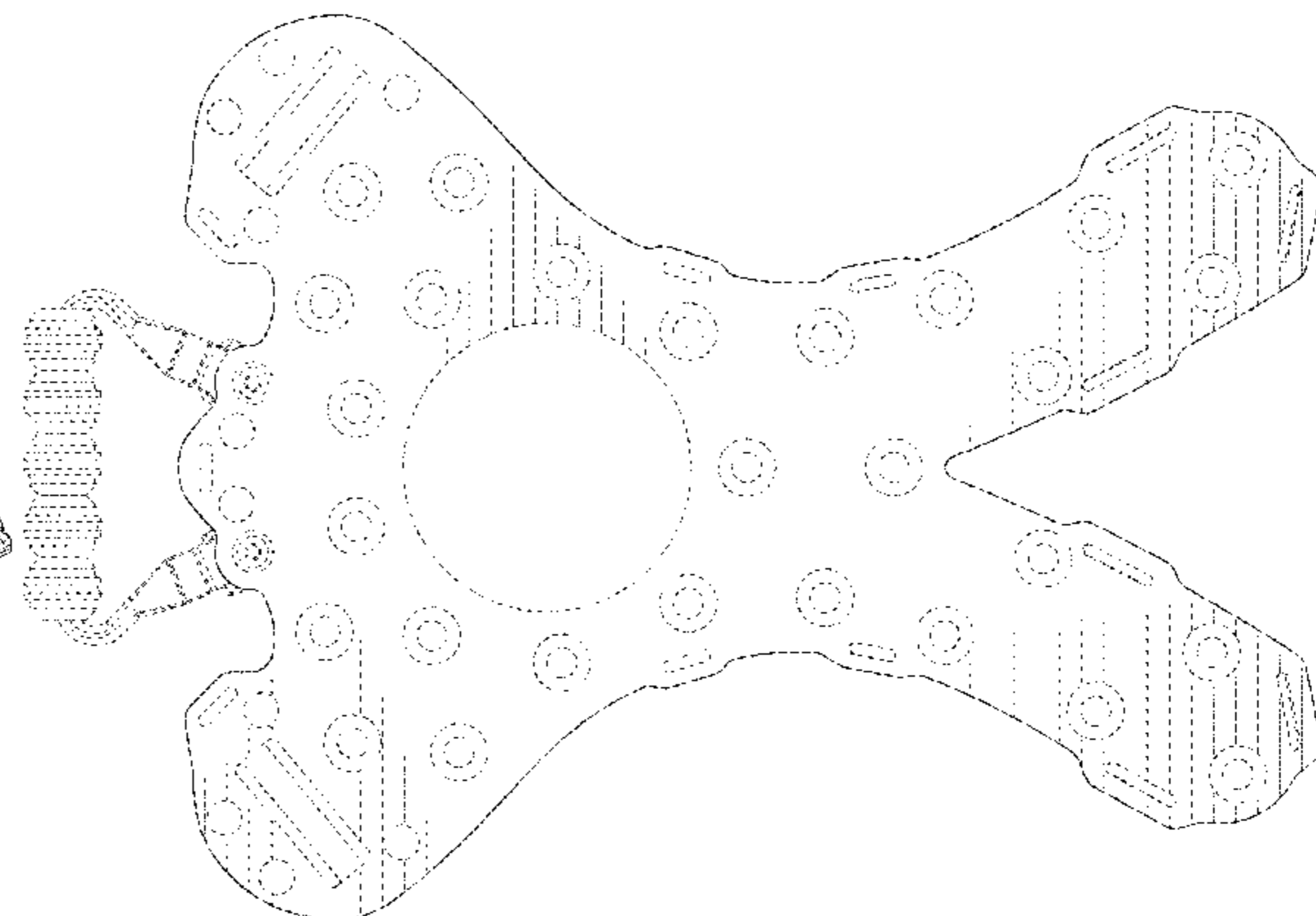
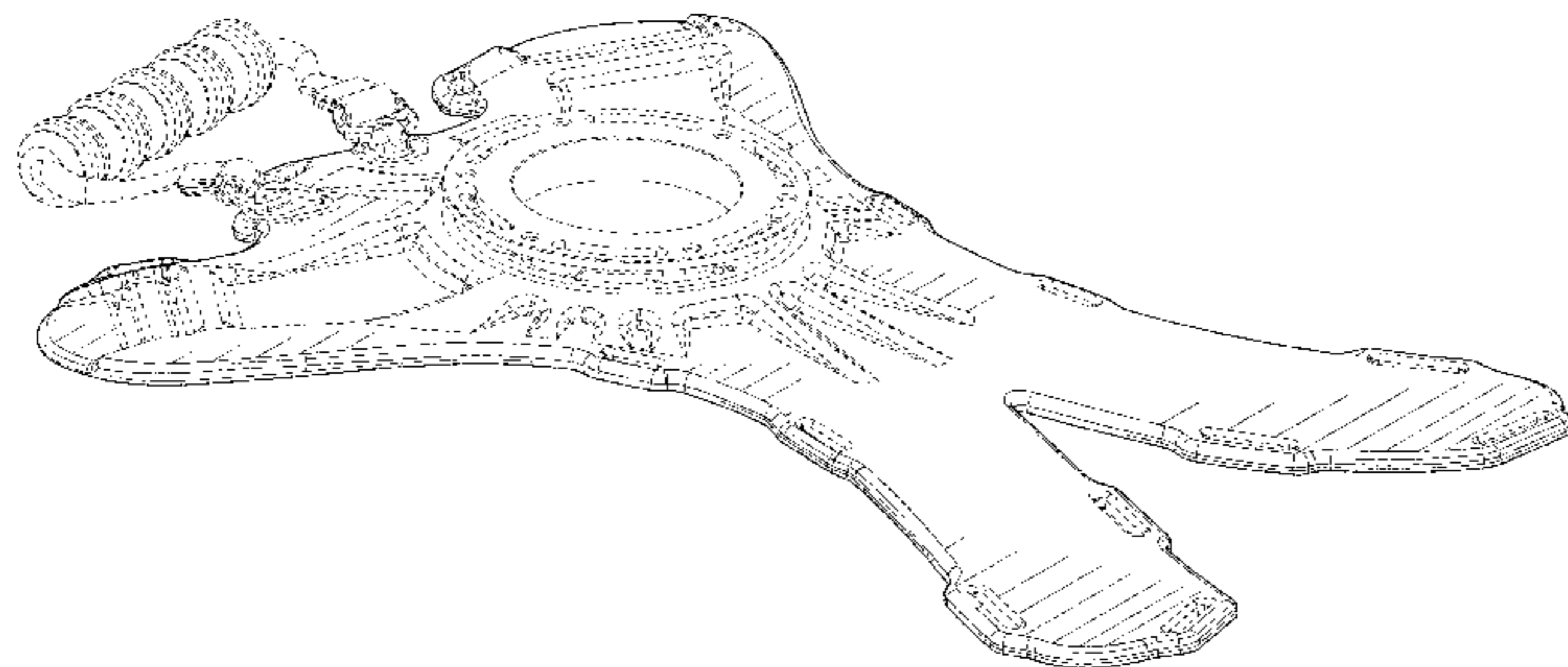
(57) **CLAIM**

The ornamental design for a backpack frame, as shown and described.

DESCRIPTION

FIG. 1 is a front, side perspective view of a backpack frame, showing the new design;
FIG. 2 is left side view thereof;
FIG. 3 is a right side view thereof;
FIG. 4 is a top view thereof;
FIG. 5 is bottom view thereof;
FIG. 6 is a front view thereof; and,
FIG. 7 is a rear view thereof.
All broken lines represent portions of the backpack frame that form no part of the claimed design.

1 Claim, 5 Drawing Sheets



(56)

References Cited

U.S. PATENT DOCUMENTS

D624,749 S * 10/2010 Evans D3/216
 D632,887 S * 2/2011 Jones D3/214
 D657,132 S * 4/2012 Caperon D3/214
 D662,843 S * 7/2012 Ginther D24/173
 D707,961 S * 7/2014 Surlaya D3/218
 D709,689 S * 7/2014 Brunazzi D3/217
 D747,104 S * 1/2016 Ford D3/216
 D758,727 S * 6/2016 Barnett D3/262
 D768,757 S * 10/2016 Thomas D16/243
 D802,912 S * 11/2017 Brodin D3/214
 9,889,911 B1 2/2018 Stella et al.
 D823,304 S * 7/2018 Drew D13/133
 D831,334 S * 10/2018 Alexiou D3/217
 D858,093 S * 9/2019 Cunha D3/217
 D895,961 S * 9/2020 Swan D3/222
 D899,077 S * 10/2020 de Jonge D3/218
 D909,048 S * 2/2021 de Jonge D3/218
 2009/0212081 A1 * 8/2009 Liang A45F 3/20
 224/148.2
 2010/0243693 A1 * 9/2010 Terry A45F 3/14
 224/633
 2012/0022415 A1 * 1/2012 Mullen A61H 9/0078
 601/150
 2012/0315128 A1 * 12/2012 Bujold A41D 13/0025
 415/121.3
 2015/0342325 A1 * 12/2015 Wright A45F 3/04
 224/642
 2017/0035170 A1 * 2/2017 Rayner H04M 1/0249
 2018/0303227 A1 * 10/2018 Simone A45F 3/08
 2020/0337445 A1 * 10/2020 Chang A45F 3/10

FOREIGN PATENT DOCUMENTS

CN 306148928 * 11/2020
 CN 306158311 * 11/2020
 CN 306781108 * 8/2021
 CN 307007121 * 12/2021
 KR 301110948.0000 * 5/2021

OTHER PUBLICATIONS

Frame System, available at blackovis.com, date not available [online], site visited May 11, 2022, available from the internet URL: <https://www.blackovis.com/tenzing-cf-i3-hunting-pack> (Year: 2022).*

Snow Daze 50" Slick Bottom 3D Foam Bobsled Snow Sled, available at walmart.com, date not available [online], site visited May 11, 2022, available from the internet URL: <https://www.walmart.com/ip/Snow-Daze-50-Slick-Bottom-3D-Foam-Bobsled-Snow-Sled/690691517> (Year: 2022).*

U.S. Military Surplus Pack Frame, Foliage, Used, available at sportsmansguide.com, earliest customer review date May 2018 [online], site visited May 11, 2022, available from the internet URL: <https://www.sportsmansguide.com/product/index/us-military-surplus-pack-frame-foliage-used?a=2135570> (Year: 2018).*

Eberlestock Laser-cut Utility Panel, available at sportsmansguide.com, earliest customer review date May 2021 [online], site visited May 11, 2022, available from the internet URL: <https://www.sportsmansguide.com/product/index/eberlestock-laser-cut-utility-panel?a=2210241> (Year: 2021).*

* cited by examiner

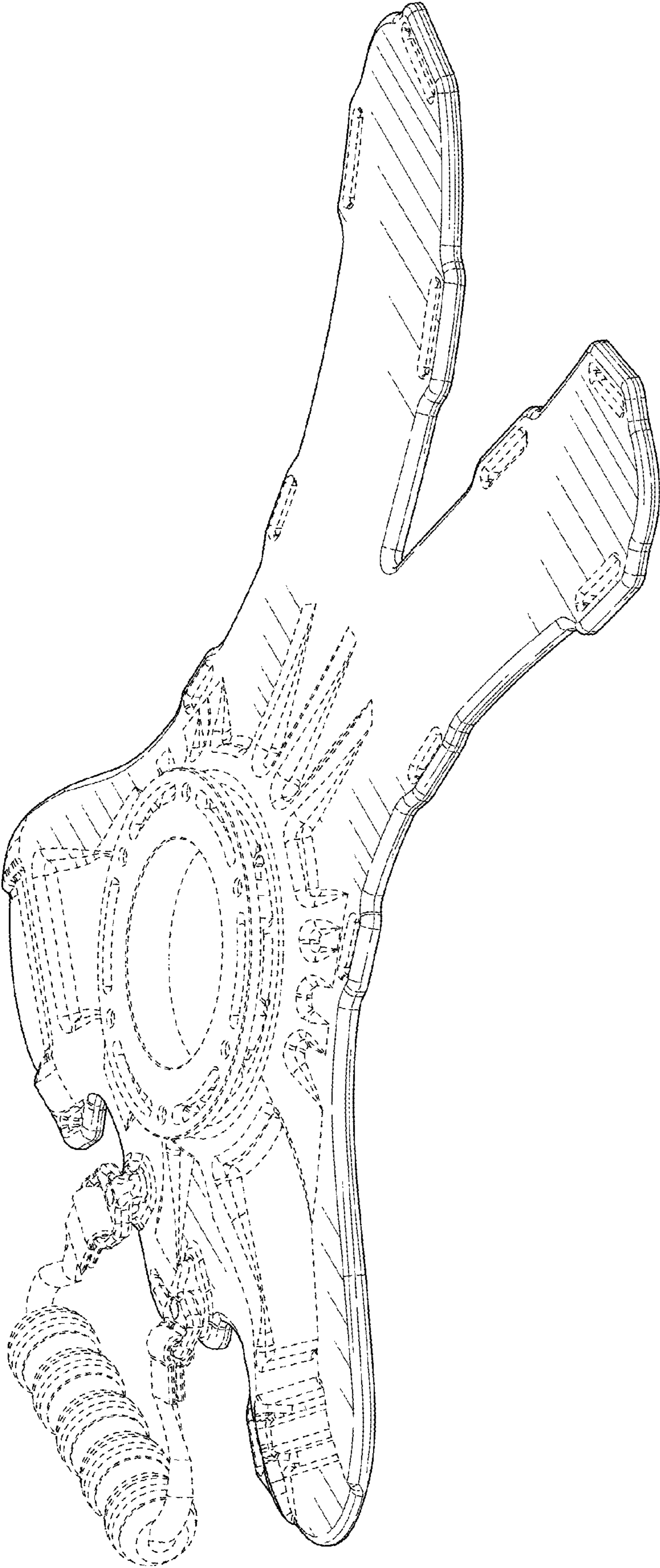


FIG. 1

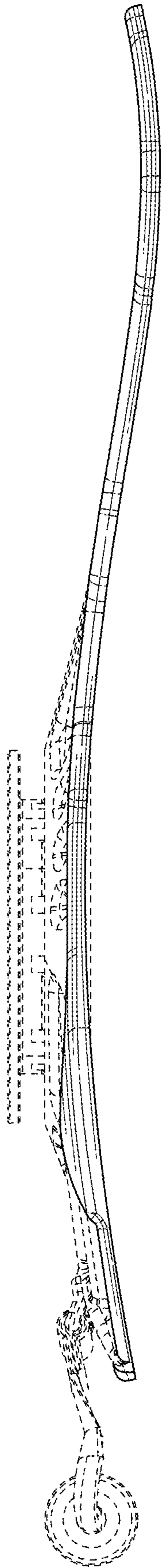


FIG. 2

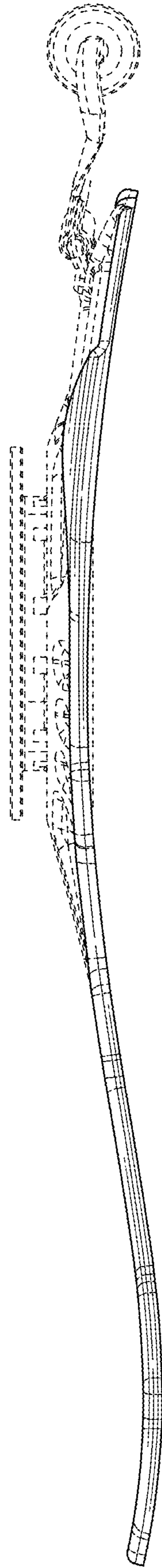


FIG. 3

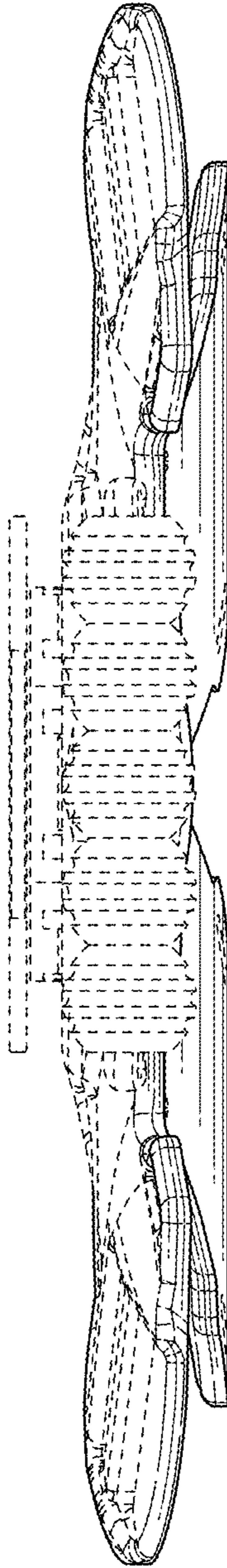


FIG. 4

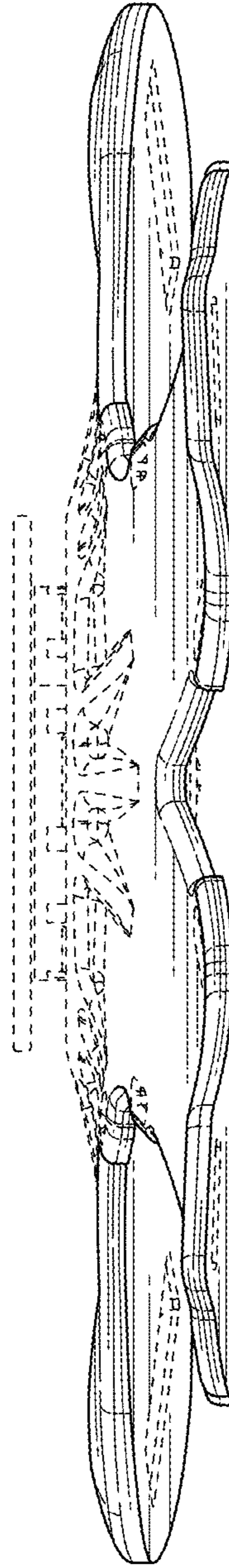


FIG. 5

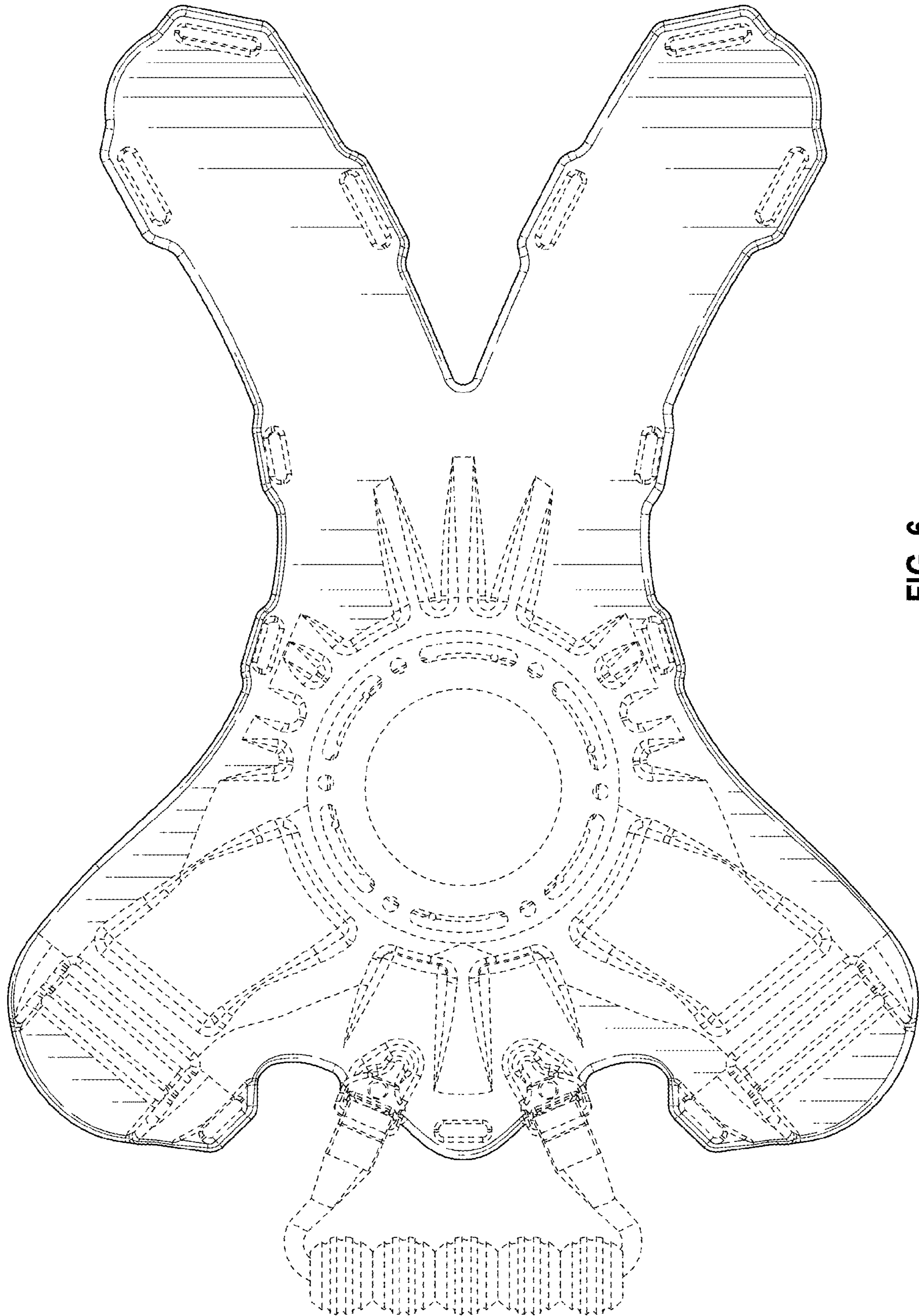


FIG. 6

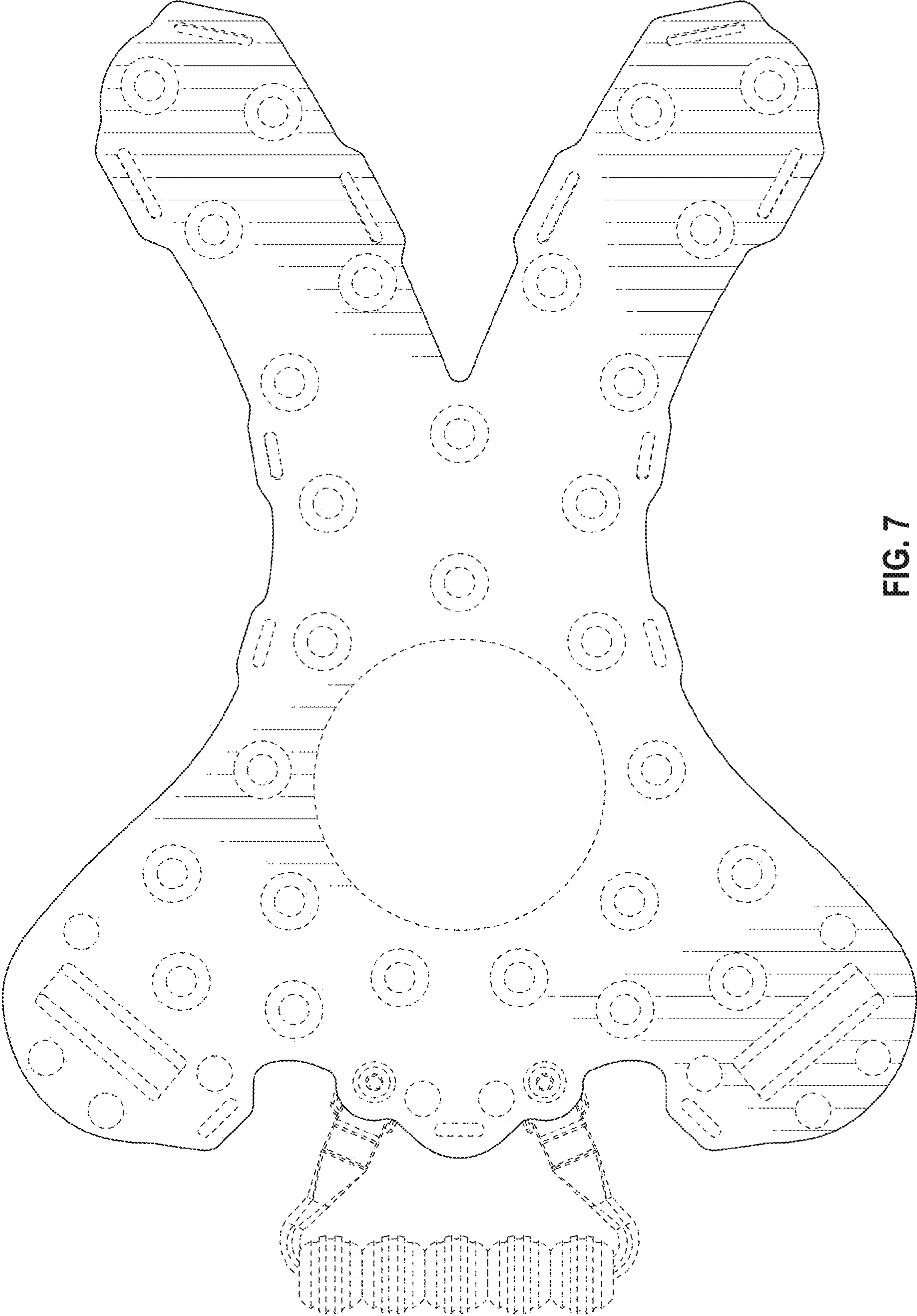


FIG. 7