



US00D975431S

(12) **United States Design Patent** (10) **Patent No.:** **US D975,431 S**
Fan (45) **Date of Patent:** **** Jan. 17, 2023**

(54) **INFANT CARRIER**

FOREIGN PATENT DOCUMENTS

(71) Applicant: **Wonderland Switzerland AG,**
Steinhausen (CH)

IL 49900 * 8/2012
KR 300993837.0000 * 2/2019

(72) Inventor: **Meifeng Fan,** Guangdong (CN)

OTHER PUBLICATIONS

(73) Assignee: **WONDERLAND SWITZERLAND**
AG, Steinhausen (CH)

Amazon.ca, Site visited Jun. 7, 2022, Ergobaby Omni 360 Baby Carrier, First available Apr. 27, 2018, <https://www.amazon.ca/Ergobaby-Ergonomic-Carrier-Positions-Newborn/dp/B07B3VDLV9> (Year: 2018).*

(**) Term: **15 Years**

Lucieslist.com, Site visited Jun. 15, 2022, "Nuna Cudl Baby Carrier Reivew" published October of 2019 features the Nuna Cudl Baby Carrier, <https://www.lucieslist.com/review/nuna-cudl-baby-carrier/#gref> (Year: 2019).*

(21) Appl. No.: **29/762,809**

(22) Filed: **Dec. 18, 2020**

(51) **LOC (14) Cl.** **03-05**

* cited by examiner

(52) **U.S. Cl.**
USPC **D3/213; D3/214**

Primary Examiner — Brett Miller

(58) **Field of Classification Search**
USPC D3/213, 214, 215, 216, 327, 217, 318;
D2/719

Assistant Examiner — Jessica M Gebhart

CPC . A47D 13/025; A47D 13/02; A45F 2003/144;
A45F 3/04

(74) *Attorney, Agent, or Firm* — Volpe Koenig

See application file for complete search history.

(57) **CLAIM**

The ornamental design for an infant carrier, as shown and described.

(56) **References Cited**

DESCRIPTION

U.S. PATENT DOCUMENTS

6,257,468 B1 *	7/2001	Yamazoe	A47D 13/025 224/159
D567,499 S *	4/2008	Elmberg	D3/214
2014/0263491 A1 *	9/2014	Telford	A47D 13/025 224/160
2016/0120334 A1 *	5/2016	Pond	A47D 13/025 224/159
2017/0119173 A1 *	5/2017	Telford	A47D 13/025
2017/0150826 A1 *	6/2017	Salazar	A47D 13/025
2019/0014920 A1 *	1/2019	Matsuyama	A47D 13/025
2019/0320821 A1 *	10/2019	Fan	A47D 13/025

FIG. 1 is a front elevation view of an infant carrier showing my design and used in unclaimed environment;

FIG. 2 is a rear elevation view thereof;

FIG. 3 is a left side elevation view thereof;

FIG. 4 is a right side elevation view thereof;

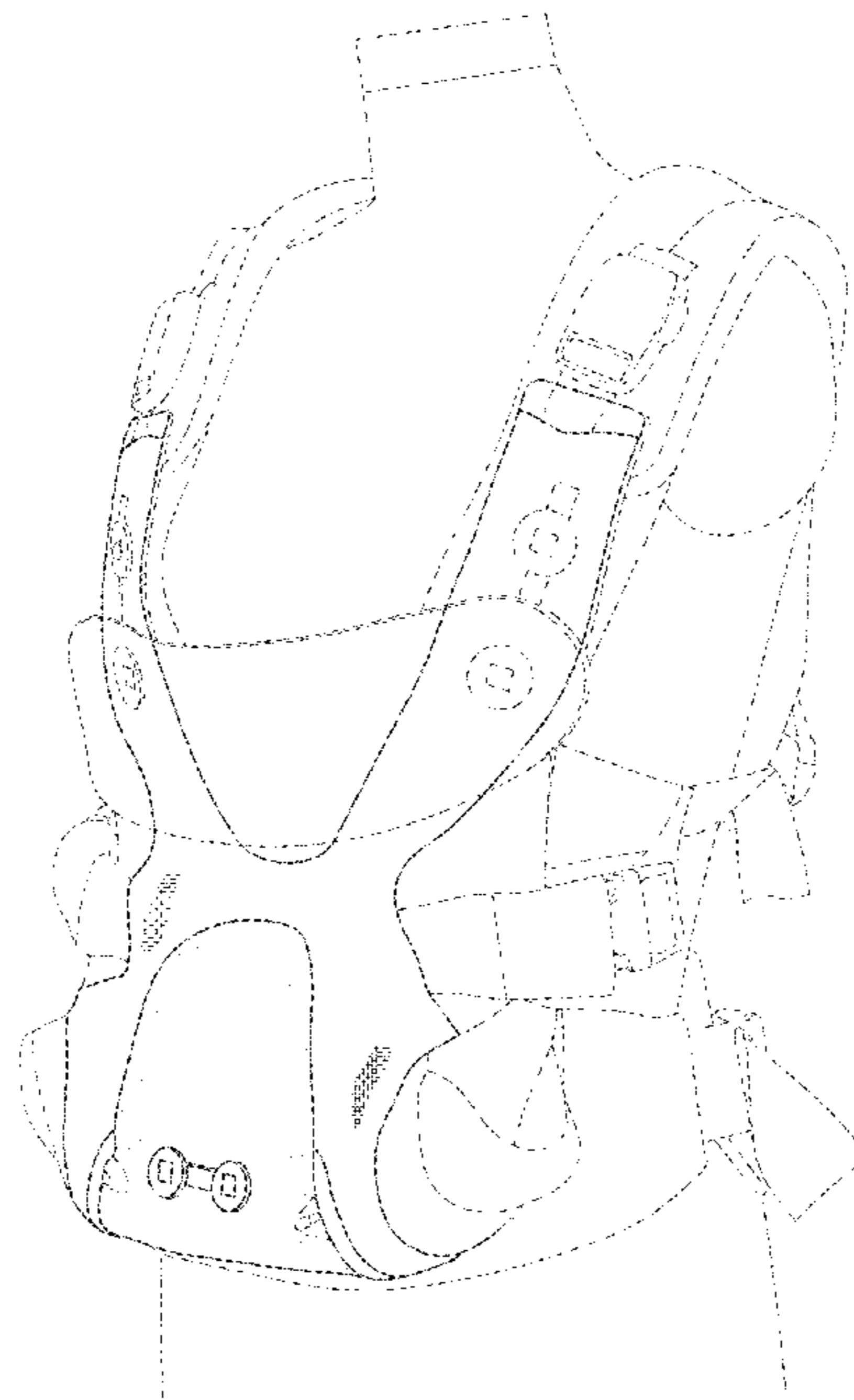
FIG. 5 is a top plan view thereof;

FIG. 6 is a bottom plan view thereof; and,

FIG. 7 is a perspective view thereof.

The broken line portion of the figure drawings is included to show environment that forms no part of the claimed design.

1 Claim, 7 Drawing Sheets



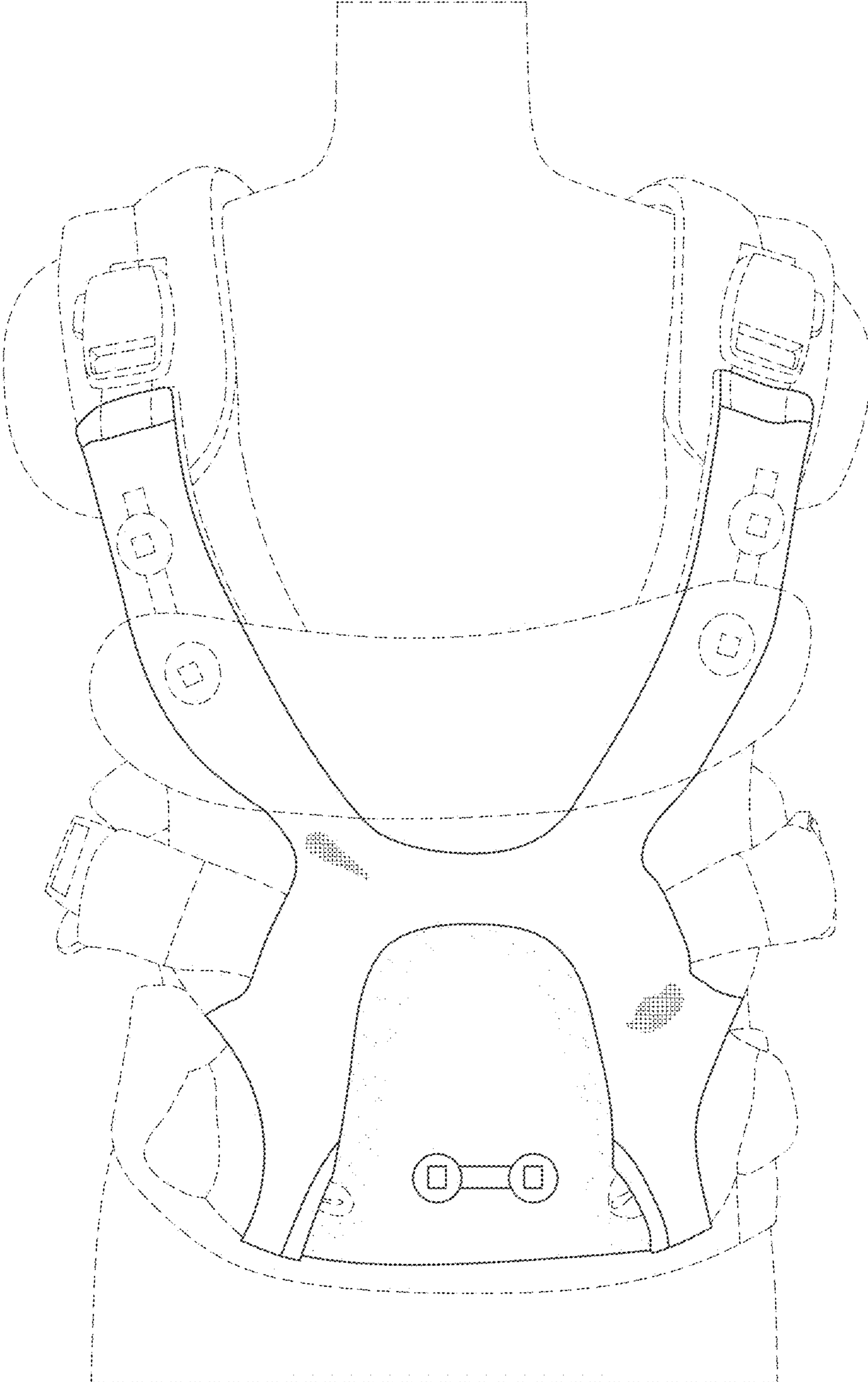


FIG. 1

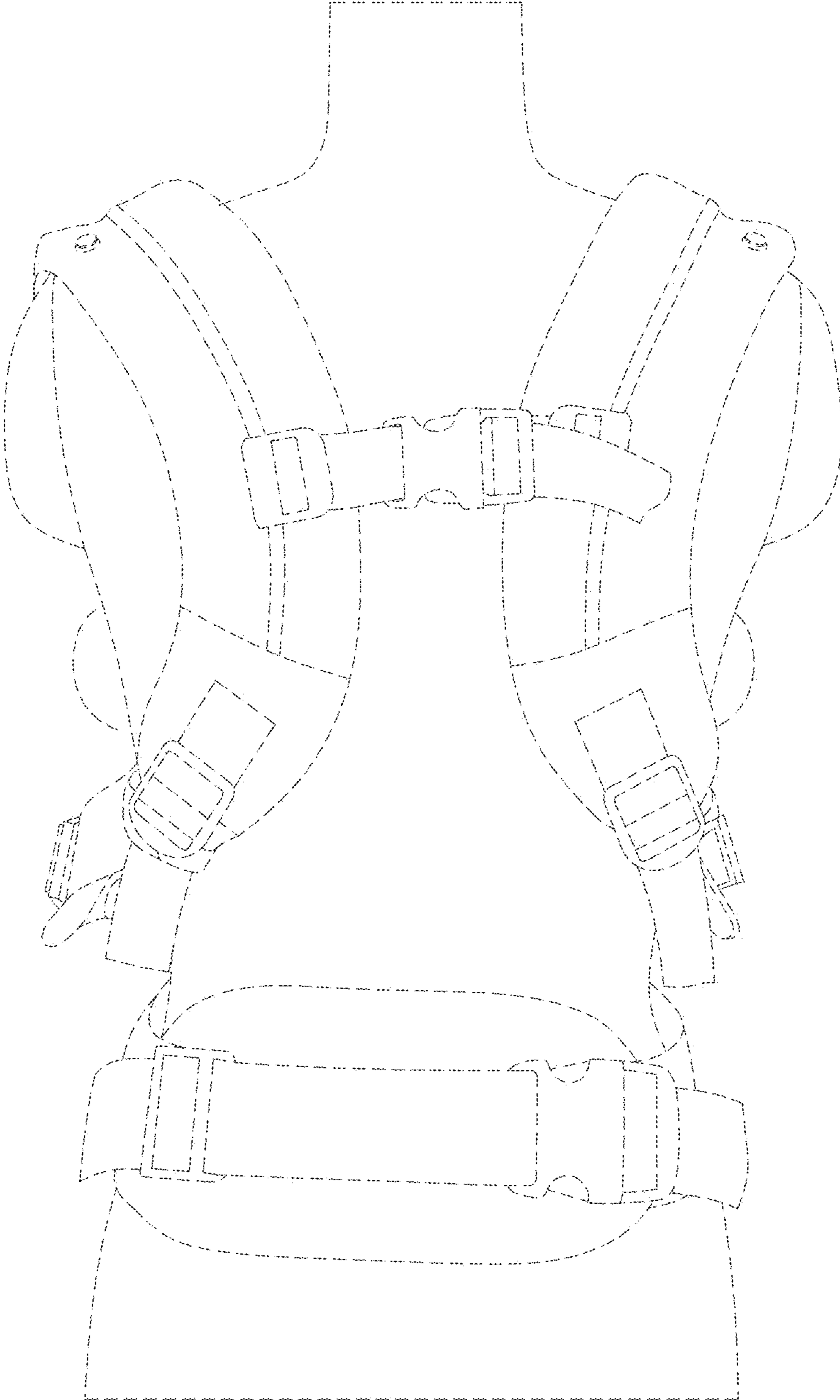


FIG.2

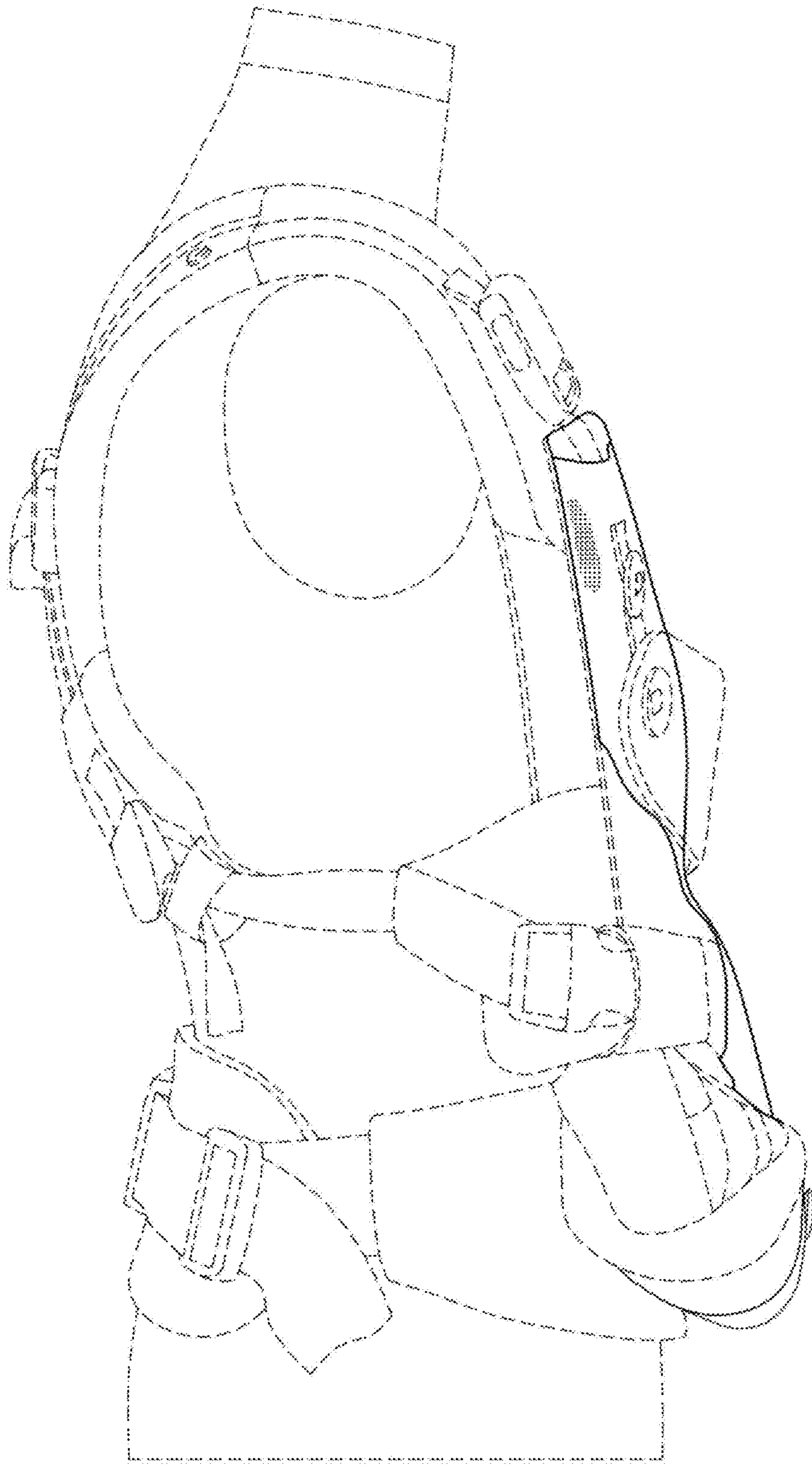


FIG.3

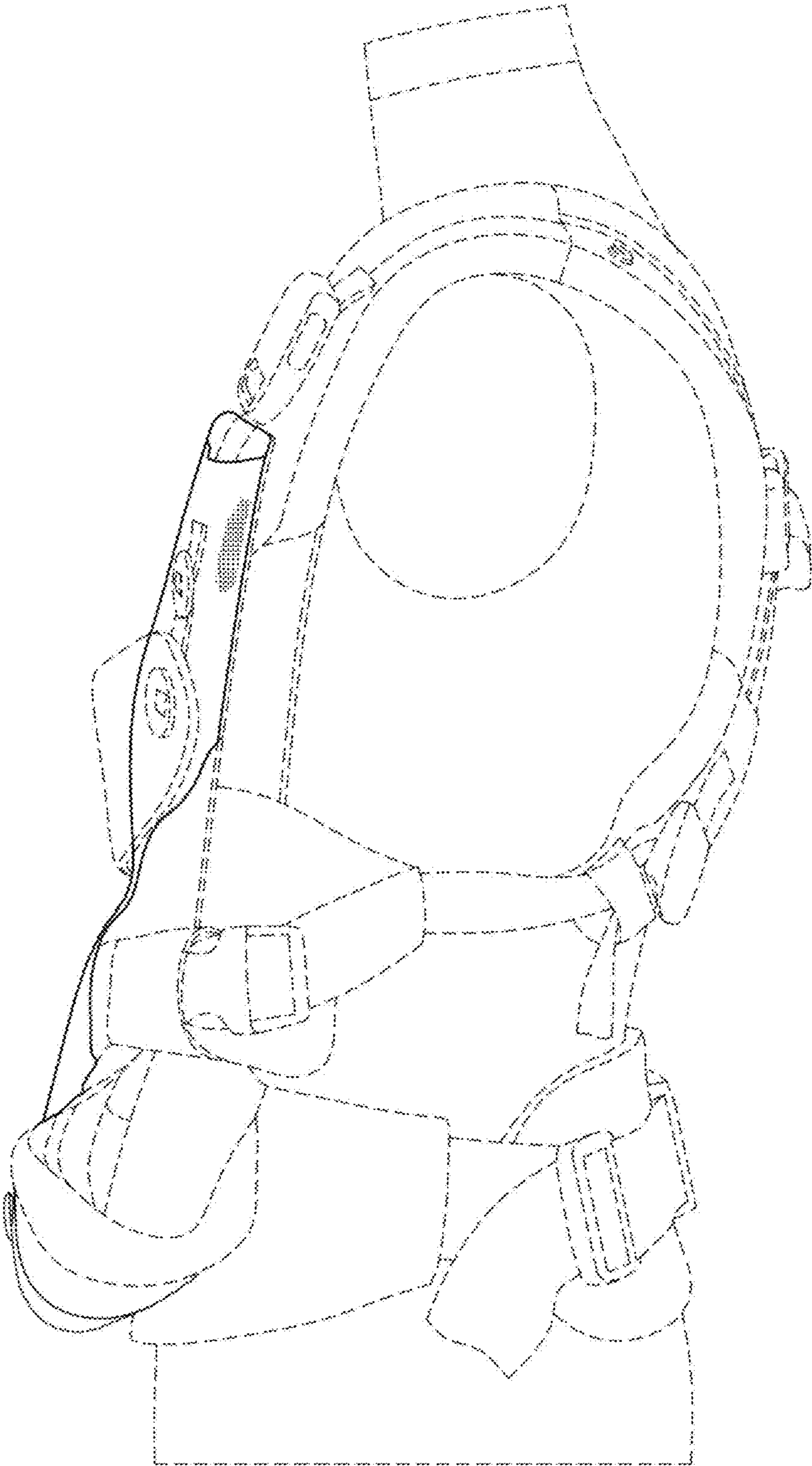


FIG.4

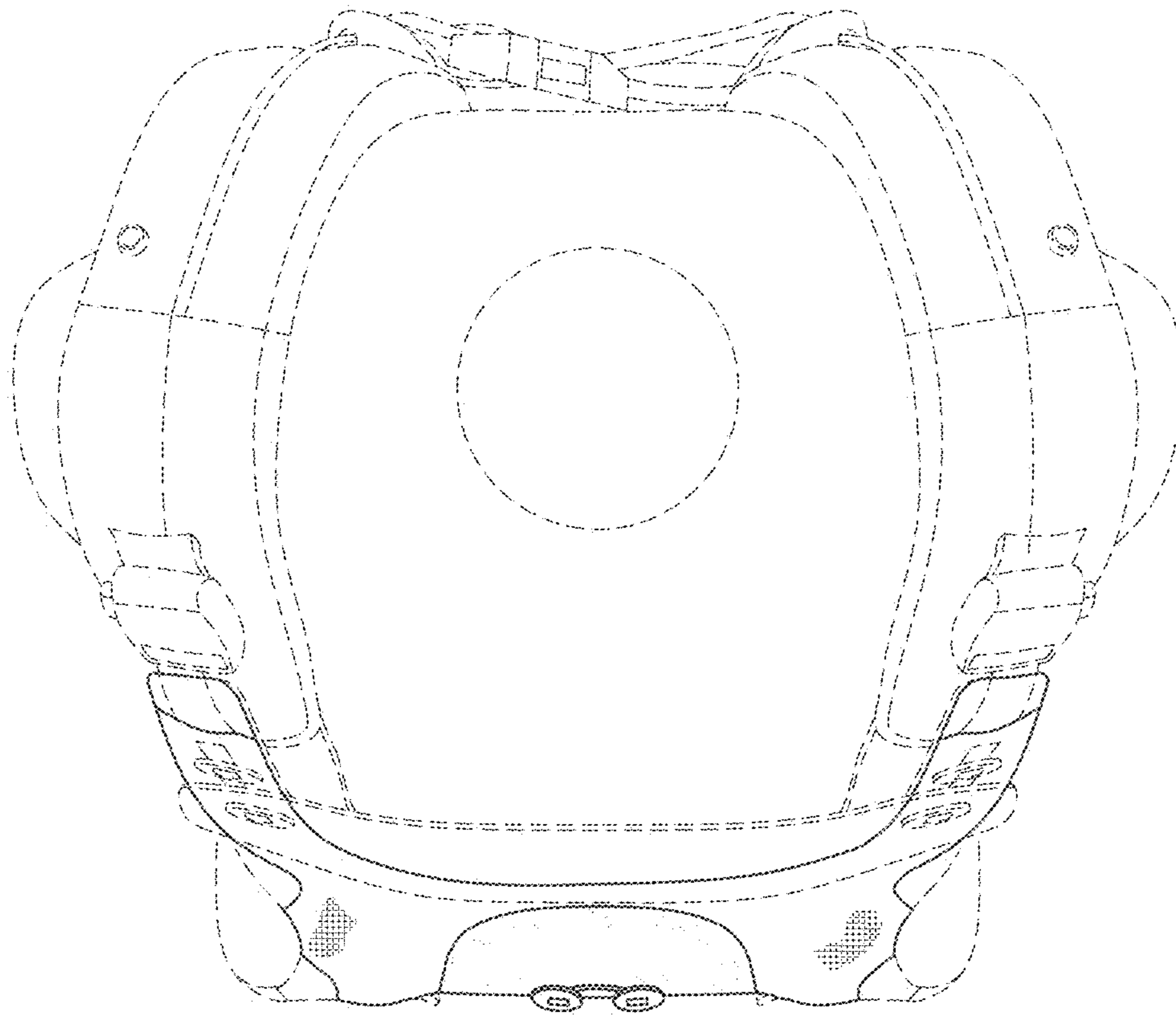


FIG.5

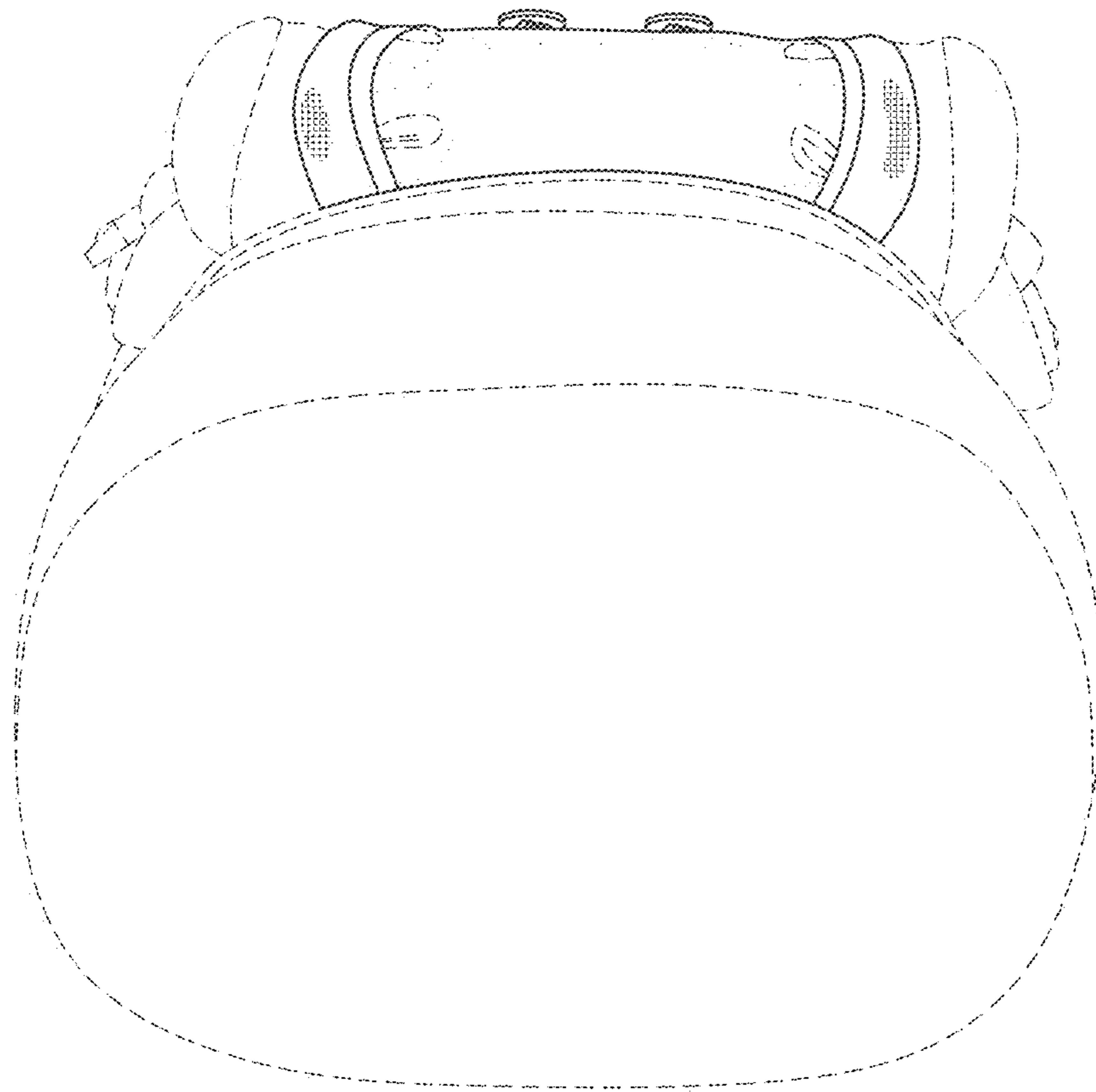


FIG.6

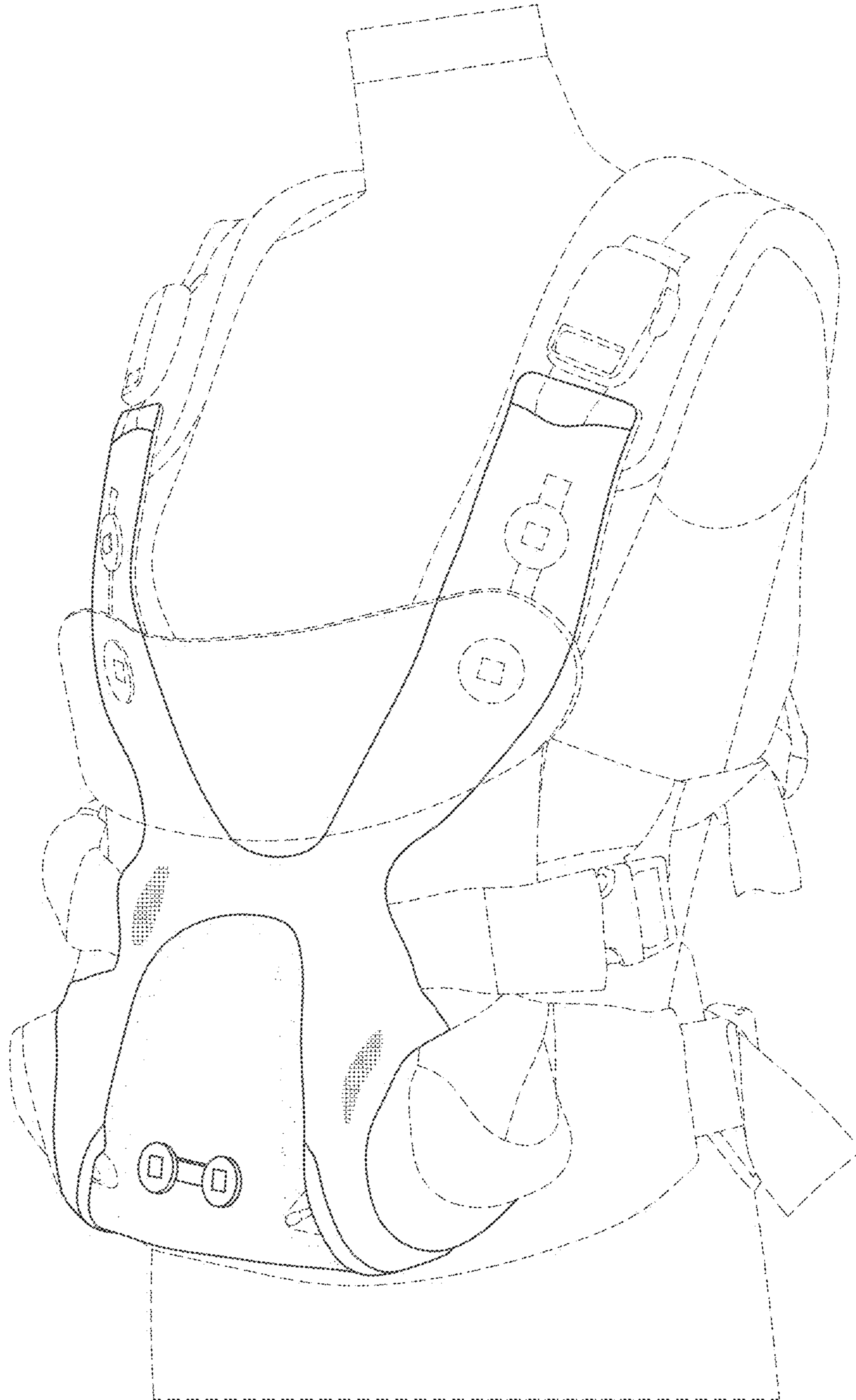


FIG.7