



US00D975415S

(12) **United States Design Patent**
Park

(10) **Patent No.:** **US D975,415 S**

(45) **Date of Patent:** **** Jan. 17, 2023**

(54) **SHOE**

(71) Applicant: **PUMA SE**, Herzogenaurach (DE)

(72) Inventor: **Hyunchul Park**, Nuremberg (DE)

(73) Assignee: **PUMA SE**, Herzogenaurach (DE)

(**) Term: **15 Years**

(21) Appl. No.: **29/821,195**

(22) Filed: **Dec. 28, 2021**

Related U.S. Application Data

(63) Continuation of application No. 29/755,391, filed on Oct. 20, 2020, now Pat. No. Des. 943,253.

(51) **LOC (14) Cl.** **02-04**

(52) **U.S. Cl.**
USPC **D2/947**; D2/960

(58) **Field of Classification Search**
USPC D2/902, 906, 908, 916, 918, 925,
D2/946-962, 977

CPC A43B 13/00; A43B 13/02; A43B 13/023;
A43B 13/026; A43B 13/04; A43B 13/08;
A43B 13/10; A43B 13/12; A43B 13/14;
A43B 13/141; A43B 13/143; A43B
13/16; A43B 13/18; A43B 13/181; A43B
13/187; A43B 13/189; A43B 13/20; A43B
13/22; A43B 13/223; A43B 13/24; A43B
13/28; A43B 13/30; A43B 13/32; A43B
13/34; A43B 13/36

See application file for complete search history.

(56) **References Cited**

U.S. PATENT DOCUMENTS

D238,983 S 3/1976 Senter
D247,831 S * 5/1978 Famolare, Jr. D2/955
D260,571 S * 9/1981 Greenblatt D2/952

D296,035 S 6/1988 Le
D324,940 S 3/1992 Claveria
D379,861 S * 6/1997 Wunsch D2/977
D409,828 S * 5/1999 Worthington D2/972
D444,939 S * 7/2001 Hamel D2/977
D499,239 S 12/2004 Burg et al.
D569,587 S 5/2008 James
D569,588 S 5/2008 James
D577,880 S 10/2008 White

(Continued)

OTHER PUBLICATIONS

Mayze Chelsea Suede Women's Boots, Puma.com, [online], [site visited Nov. 17, 2021]. <URL: https://us.puma.com/us/en/pd/mayze-chelsea-suede-womens-boots/382829.html?dwvar_382829_color=04> (Year: 2021).

(Continued)

Primary Examiner — Jonathan J Han

(74) *Attorney, Agent, or Firm* — Quarles & Brady LLP

(57) **CLAIM**

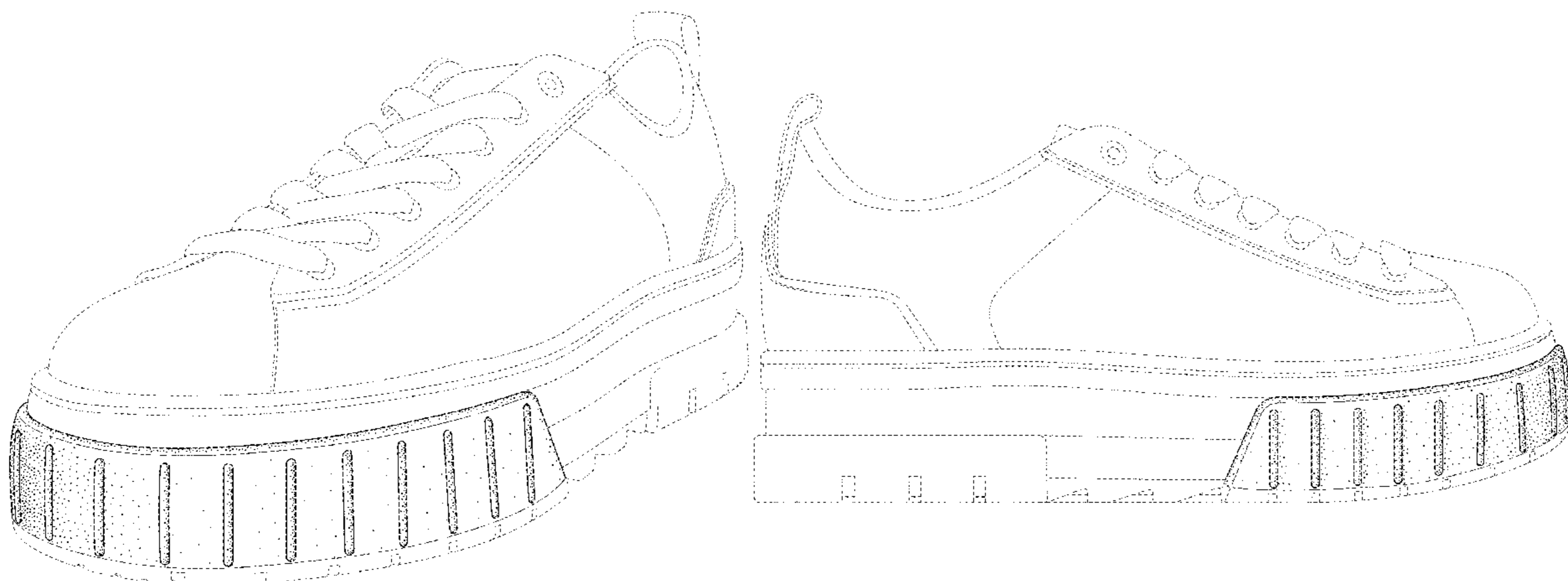
The ornamental design for a shoe, as shown and described.

DESCRIPTION

FIG. 1 is a top, left, and front perspective view of an ornamental design for a shoe;
FIG. 2 is a front elevational view of the shoe of FIG. 1;
FIG. 3 is a rear elevational view of the shoe of FIG. 1;
FIG. 4 is a left side elevational view of the shoe of FIG. 1;
FIG. 5 is a right side elevational view of the shoe of FIG. 1;
FIG. 6 is a top plan view of the shoe of FIG. 1; and,
FIG. 7 is a bottom plan view of the shoe of FIG. 1.

The dash-dash-dash broken lines are included for the purpose of illustrating portions of the shoe that form no part of the claimed design. The dash-dot-dash broken lines depict boundary lines and form no part of the claimed design.

1 Claim, 7 Drawing Sheets



(56)

References Cited

U.S. PATENT DOCUMENTS

D578,744 S * 10/2008 Earle D2/977
 D613,480 S 4/2010 Lamont
 D613,481 S 4/2010 Yarn
 D703,927 S 5/2014 Taestensen
 D717,527 S * 11/2014 Truelsen D2/951
 D731,761 S 6/2015 Carroll et al.
 D760,483 S 7/2016 Siegel
 D769,586 S 10/2016 Buscemi
 D770,742 S * 11/2016 Reiser D2/947
 D774,288 S 12/2016 Pina
 D783,244 S 4/2017 Cappini
 D792,683 S 7/2017 Carroll et al.
 D796,160 S 9/2017 Guichot
 D812,870 S 3/2018 Laska
 D821,078 S 6/2018 Galway
 D827,258 S 9/2018 Pina
 D838,449 S * 1/2019 Michetti D2/918
 D846,851 S * 4/2019 Della Valle D2/947
 D850,067 S * 6/2019 Nakamura D2/947
 D872,981 S 1/2020 Hooper et al.
 D874,797 S 2/2020 Fongher et al.
 D880,131 S 4/2020 Fick et al.
 D885,723 S 6/2020 Lee
 D886,424 S 6/2020 McKenzie

D887,682 S 6/2020 Sogorb
 D887,688 S 6/2020 McKenzie
 D889,787 S 7/2020 McKenzie
 D893,150 S 8/2020 Vella
 D900,440 S 11/2020 Ernst
 D904,739 S 12/2020 Ernst
 D906,652 S 1/2021 Lee
 D929,098 S * 8/2021 Jacobsen D2/947
 D941,002 S * 1/2022 Sogorb D2/947
 D943,253 S * 2/2022 Park D2/947
 D949,527 S * 4/2022 Heftman D2/944
 D955,711 S * 6/2022 Sogorb D2/947
 D961,209 S * 8/2022 Venturini Fendi D2/947

OTHER PUBLICATIONS

Cali Sport Mix Women's Sneakers, Puma.com, [online], [site visited Nov. 17, 2021]. <URL: https://us.puma.com/us/en/pd/cali-sport-mix-womens-sneakers/371202.html?dwvar_371202_color=17> (Year: 2021).

Mayze Bright Heights Women's Sneakers, Puma.com, [online], [site visited Nov. 17, 2021]. <URL: https://us.puma.com/us/en/pd/mayze-bright-heights-womens-sneakers/382742.html?dwvar_382742_color=01> (Year: 2021).

* cited by examiner

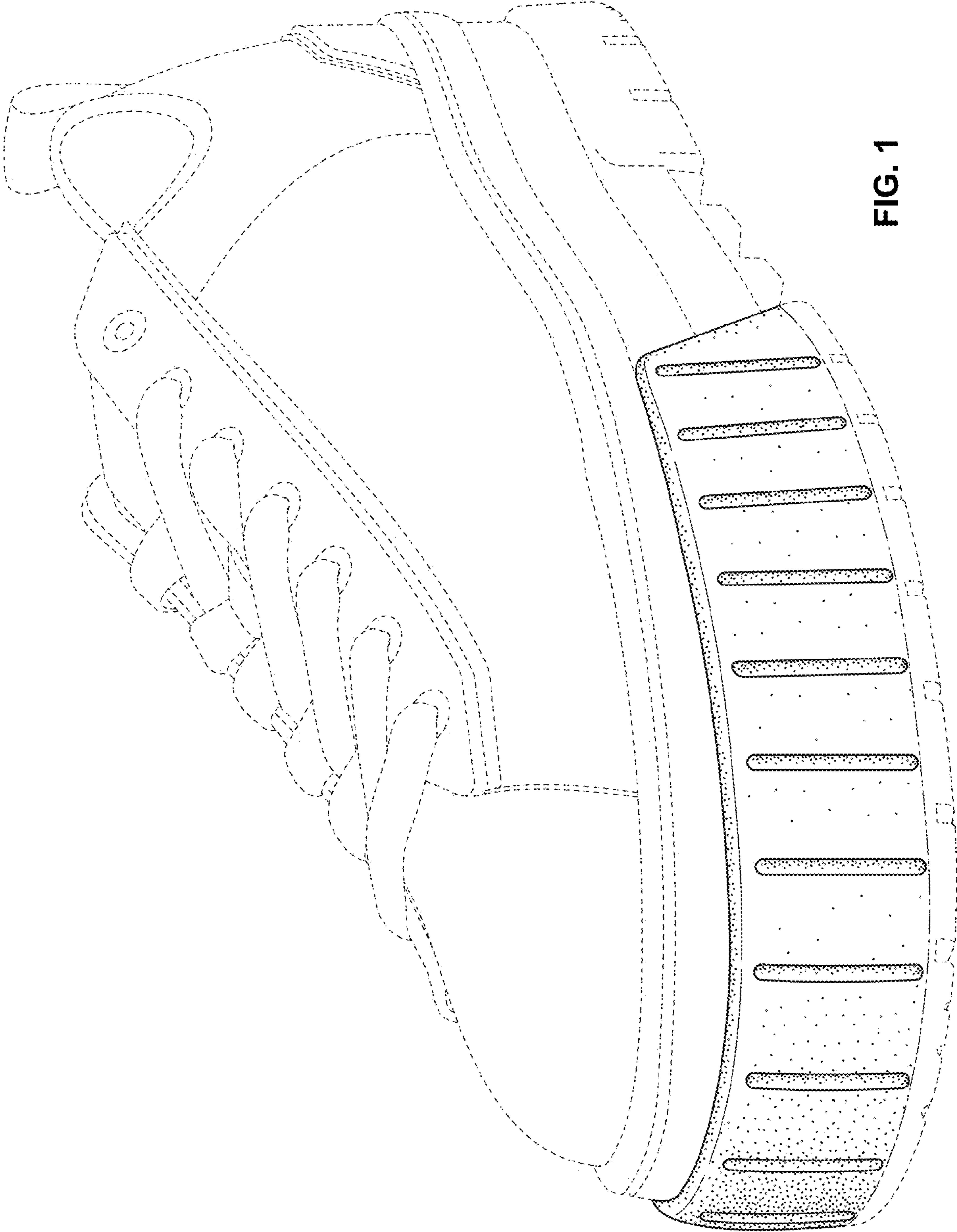


FIG. 1

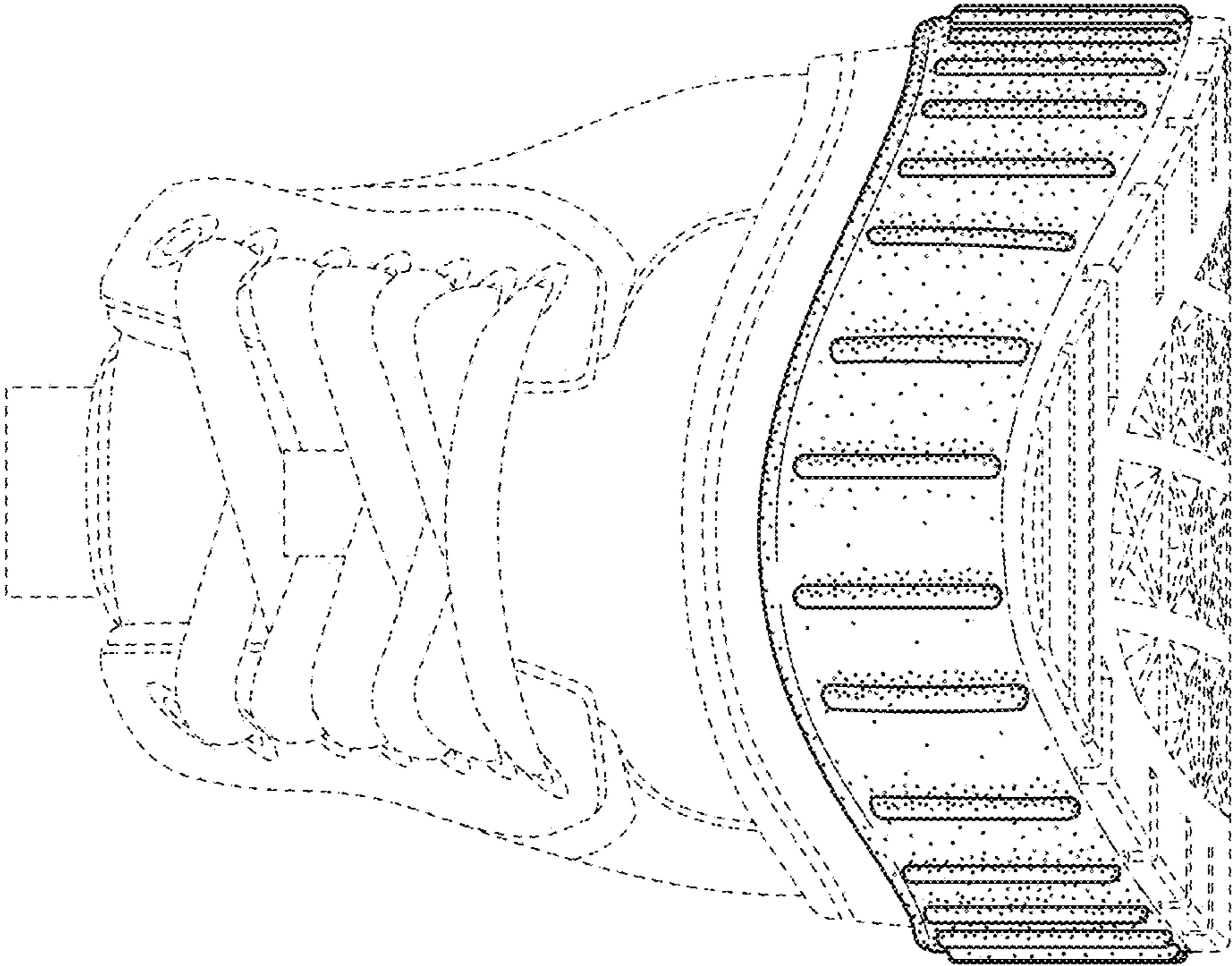


FIG. 2

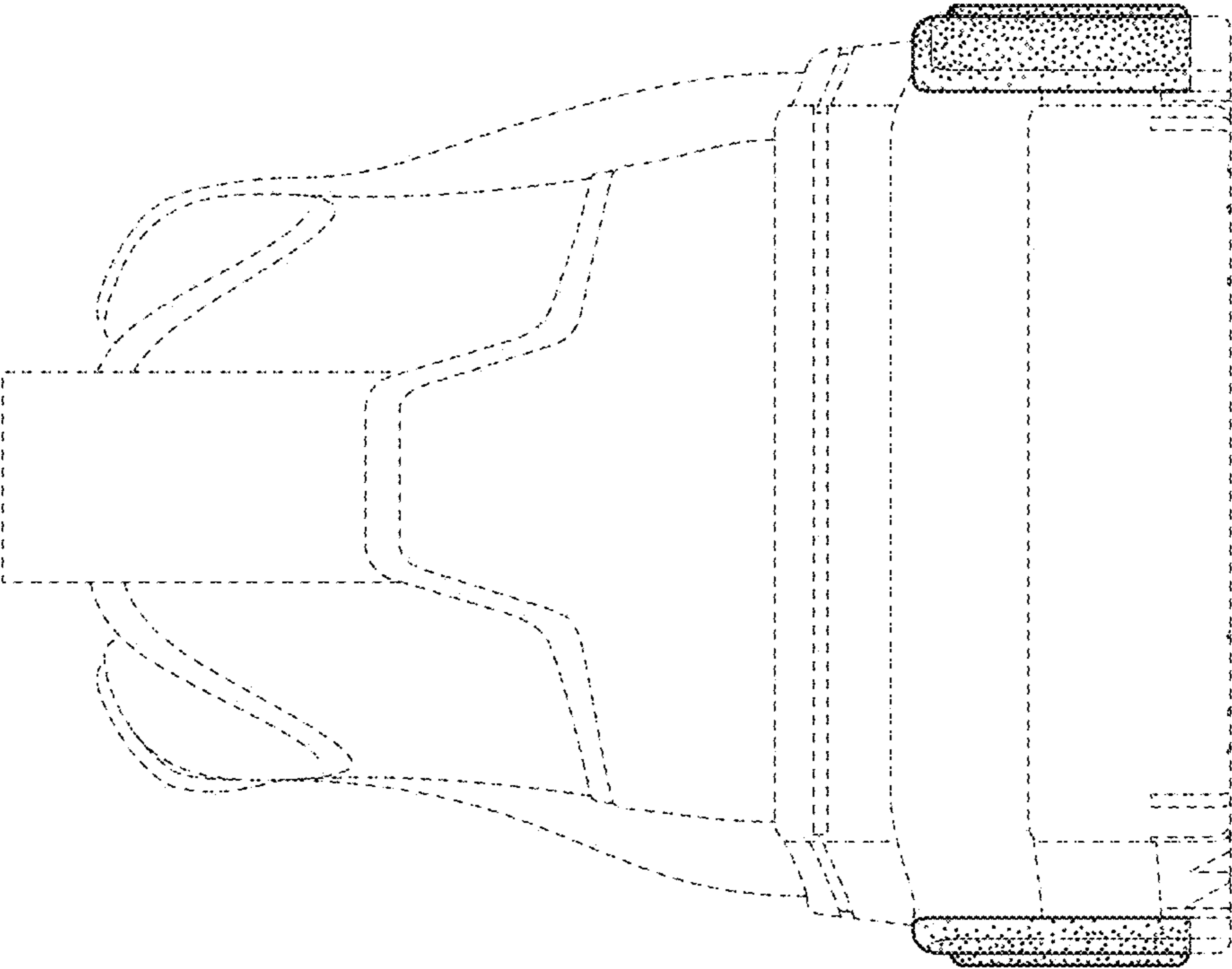


FIG. 3

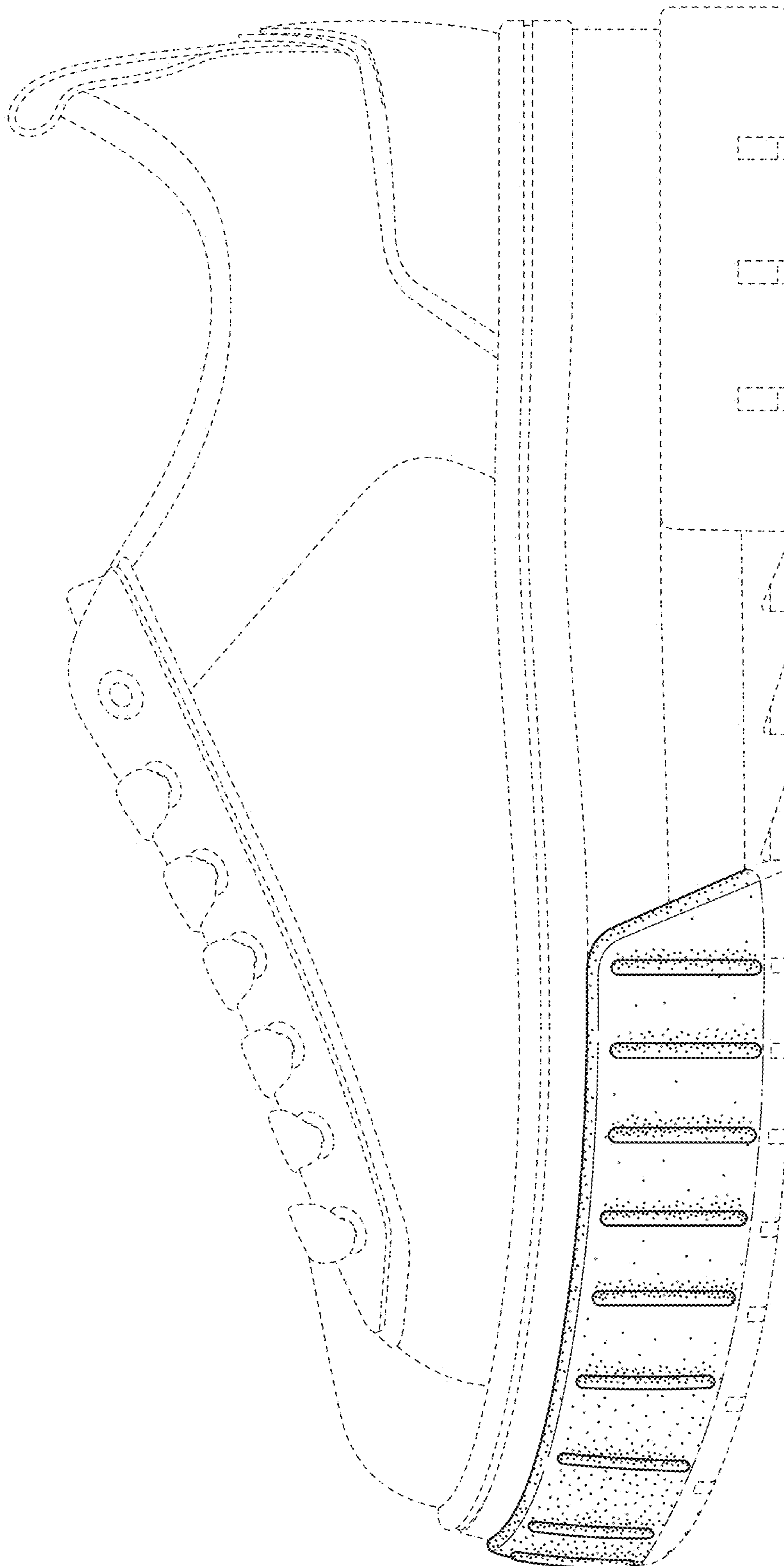


FIG. 4

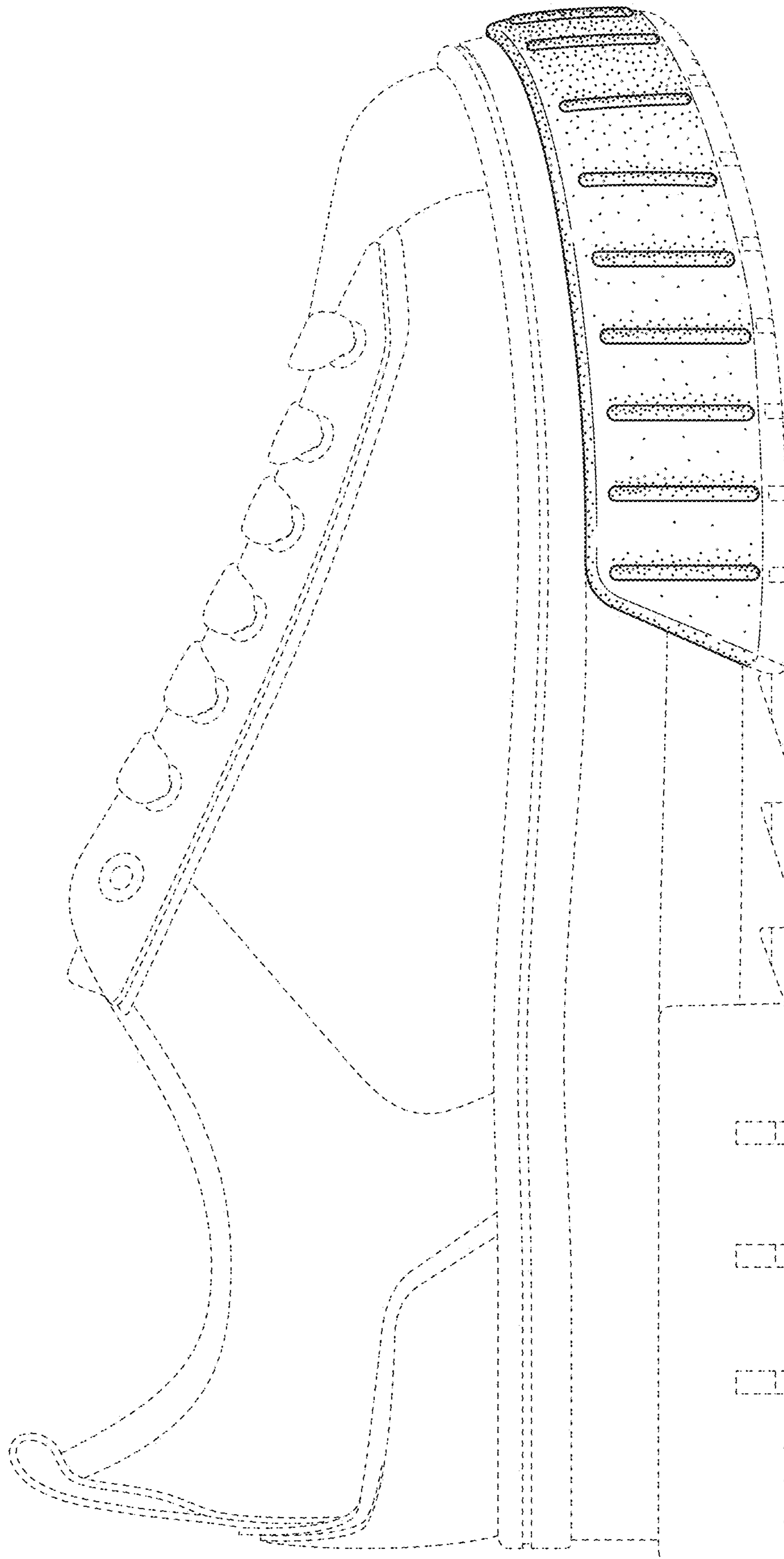


FIG. 5

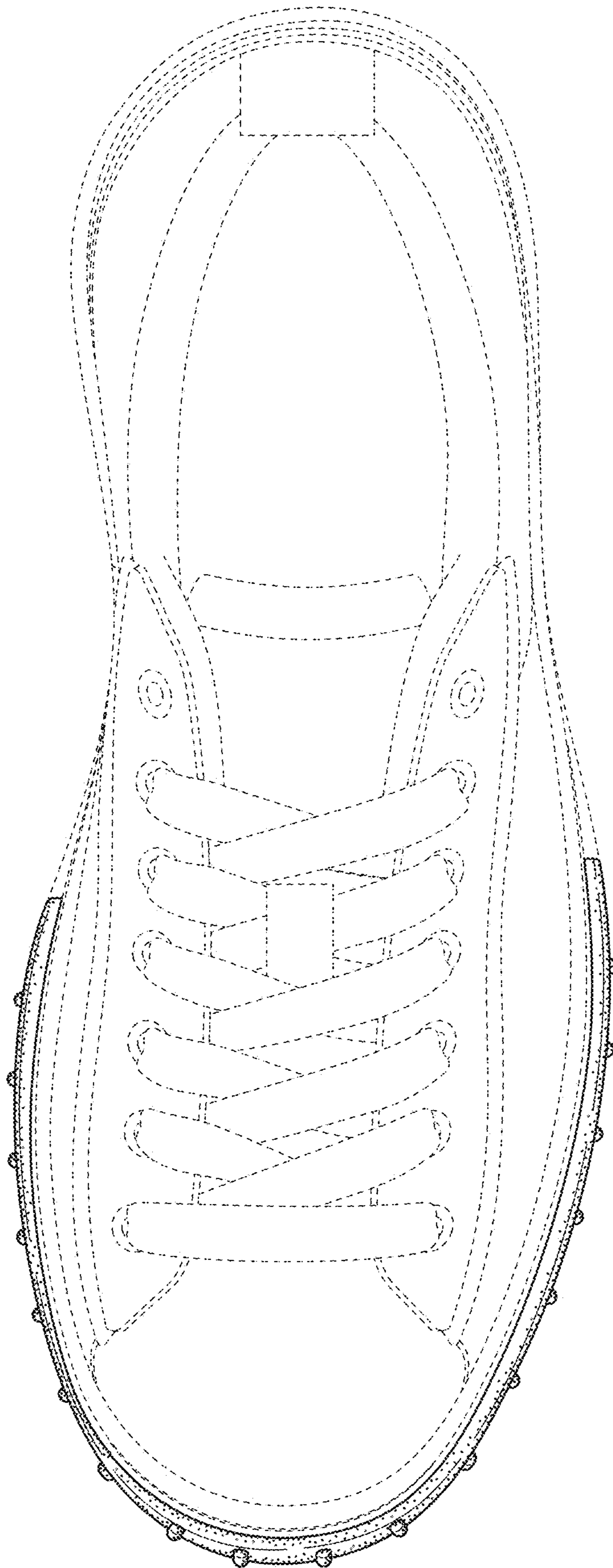


FIG. 6

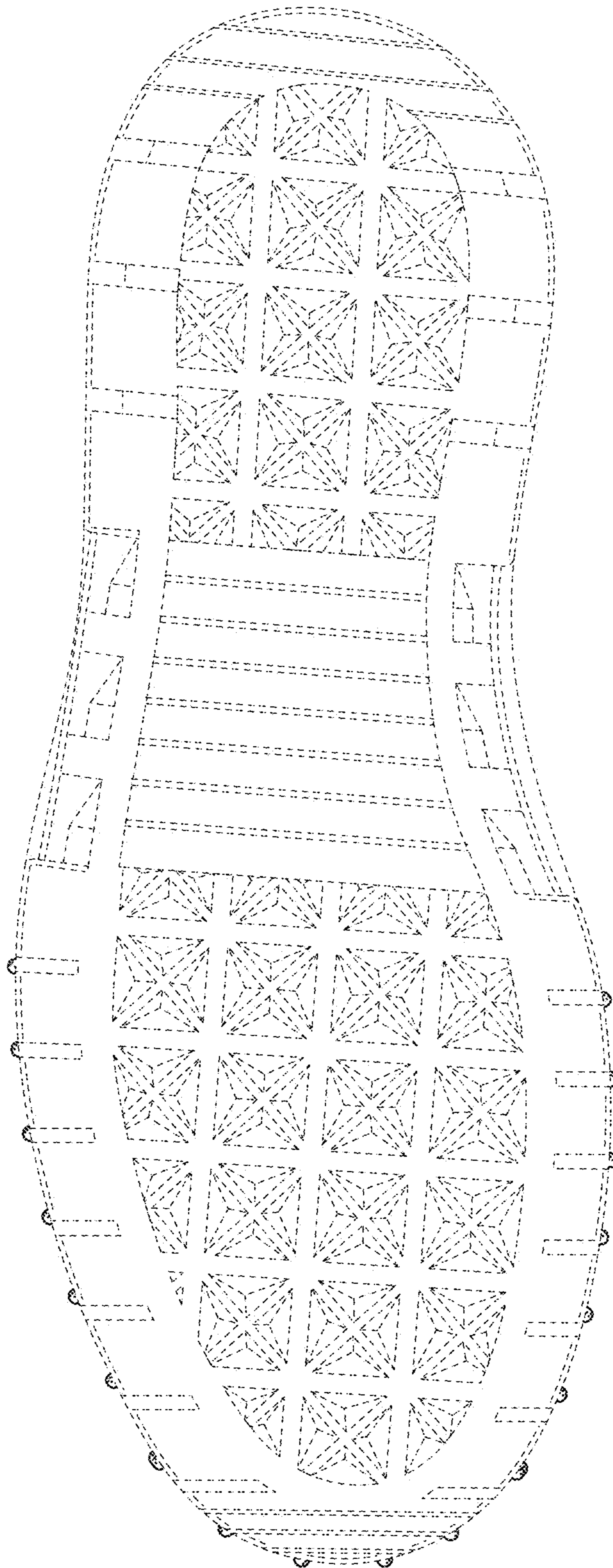


FIG. 7