

US00D975413S

(12) **United States Design Patent**
Riley

(10) **Patent No.:** **US D975,413 S**
(45) **Date of Patent:** **** Jan. 17, 2023**

(54) **SHOE SOLE**

(71) Applicant: **Richard C. Riley**, Germantown, MD
(US)

(72) Inventor: **Richard C. Riley**, Germantown, MD
(US)

(**) Term: **15 Years**

(21) Appl. No.: **29/709,050**

(22) Filed: **Oct. 10, 2019**

(51) **LOC (14) Cl.** **02-04**

(52) **U.S. Cl.**
USPC **D2/947**

(58) **Field of Classification Search**
USPC D2/896, 902, 906, 907, 908, 909, 912,
D2/916, 918, 920, 923, 925, 946-962,
D2/970, 974-977; 36/1, 1.5, 22 R, 24.5,
36/25 R, 28, 3 B, 32 R, 34 R, 59 C, 67 A,
36/83, 101-107, 112-116, 117.2, 117.3,
36/117.4, 124-136
CPC A43B 13/00; A43B 13/02; A43B 13/04;
A43B 13/08; A43B 13/10; A43B 13/023;
A43B 13/026; A43B 13/12; A43B 13/14;
A43B 13/141; A43B 13/143; A43B
13/16; A43B 13/18; A43B 13/181; A43B
13/187; A43B 13/189; A43B 13/223;
A43B 13/20; A43B 13/22; A43B 13/24;
A43B 13/28; A43B 13/30; A43B 13/32;
A43B 13/34; A43B 13/36; A43B 13/86;
A43B 23/24; A43B 5/06; A43B 5/10
See application file for complete search history.

(56) **References Cited**

U.S. PATENT DOCUMENTS

1,977,995 A * 10/1934 Morali A43B 23/24
D10/111
D100,140 S * 6/1936 Wernmark D2/977
D226,885 S * 5/1973 McBarron D2/907

D238,626 S * 2/1976 Senter D2/907
D260,196 S * 8/1981 Plagenhoef D2/947
D406,443 S * 3/1999 Van Dyke D2/916
(Continued)

FOREIGN PATENT DOCUMENTS

CN 304734193 * 7/2018
CN 304734211 * 7/2018
(Continued)

OTHER PUBLICATIONS

Christian Louboutin, Pik Boat Abstract Sneaker, (2022), 1stDibs.com, [site visited: May 17, 2022], Available from URL: https://www.1stdibs.com/en-gb/fashion/clothing/shoes/christian-louboutin-pik-boat-abstract-patent-gold-spike-stud-low-sneaker-eu37/id-v_13868492/ (Year: 2022).*

(Continued)

Primary Examiner — T Chase Nelson

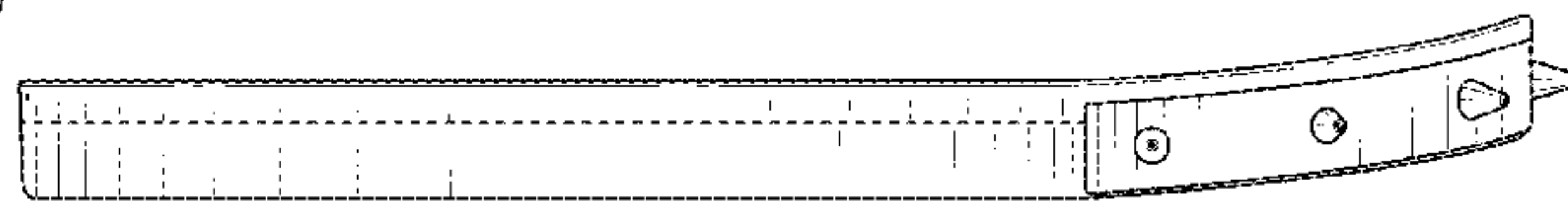
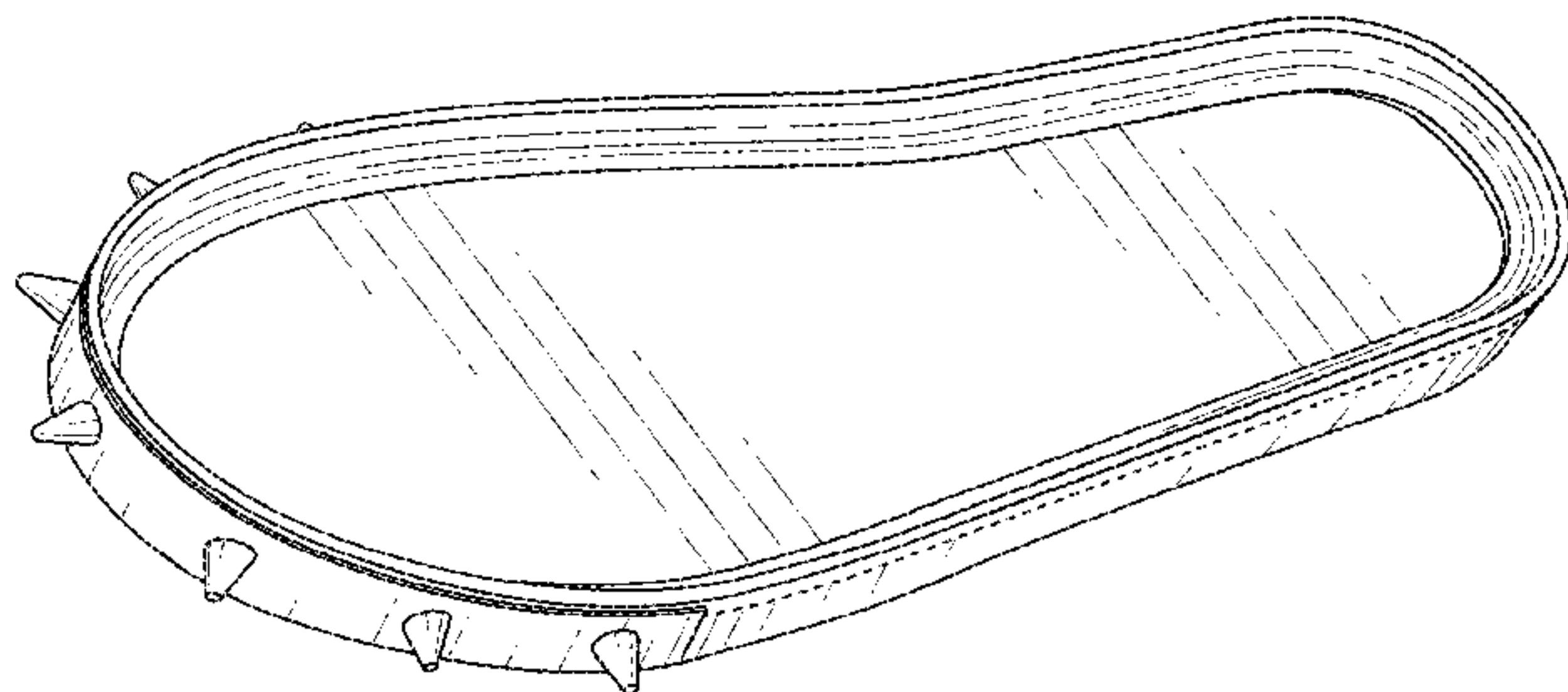
(57) **CLAIM**

The ornamental design for a shoe sole, as shown and described.

DESCRIPTION

FIG. 1 is a top-front-right perspective view of a shoe sole showing my new design;
FIG. 2 is a top-rear-right perspective view thereof;
FIG. 3 is a bottom-front-right perspective view thereof;
FIG. 4 is a front elevational view thereof;
FIG. 5 is a rear elevational view thereof;
FIG. 6 is a top plan view thereof;
FIG. 7 is a bottom plan view thereof;
FIG. 8 is a right-side elevational view thereof; and,
FIG. 9 is a left-side elevational view thereof.
The broken lines showing of groove around the shoe sole in FIGS. 1-3, 5 and 8-9, and groove on the bottom in FIGS. 3-4, and 7 are included for the purpose of showing environmental structure and form no part of the claimed design.

1 Claim, 9 Drawing Sheets



(56)

References Cited

U.S. PATENT DOCUMENTS

D453,987 S * 3/2002 Ray D30/157
 D609,886 S * 2/2010 Murray D2/923
 D641,964 S * 7/2011 Schwartz D2/977
 D680,720 S * 4/2013 Smith D2/947
 D707,926 S * 7/2014 Louboutin D2/923
 D723,252 S * 3/2015 VanHorn D2/923
 D728,914 S * 5/2015 Bove D2/951
 D767,861 S * 10/2016 Wattimena D2/947
 D782,791 S * 4/2017 Silverstein D2/947
 D799,800 S * 10/2017 Engel D2/947
 D825,157 S * 8/2018 Sassi D2/944
 D834,794 S * 12/2018 Sassi D2/939
 D838,942 S * 1/2019 Sassi D2/896
 D856,639 S * 8/2019 Sassi D2/916
 D857,356 S * 8/2019 Louboutin D2/939
 D858,959 S * 9/2019 Sassi D2/943
 D865,337 S * 11/2019 Laska D2/907
 D874,108 S * 2/2020 Possehl D2/947
 D896,497 S * 9/2020 Kenison D2/976
 D901,848 S * 11/2020 Mazgaj D2/912
 D925,174 S * 7/2021 Della Valle D2/907
 D926,451 S * 8/2021 Stevens D2/947
 D933,933 S * 10/2021 Baikie D2/907
 D935,141 S * 11/2021 Louboutin D2/947
 D943,872 S * 2/2022 Sassi A43B 23/24
 D2/930

FOREIGN PATENT DOCUMENTS

KR 300597400.0000 * 5/2011
 KR 300610013.0000 * 8/2011

KR 300642040.0000 * 5/2012
 KR 300747259.0000 * 6/2014
 WO D204847-001 * 12/2019

OTHER PUBLICATIONS

Valentino, Rockstud leather sneakers, (2022), Moda di Andrea, [site visited: May 17, 2022], Available from URL: <https://modadiandrea.com/en/valentino-garavani/sneakers/1408-rockstud-sneakers-white-8056097569854.html> (Year: 2022).*

Valentino Garavani, Rockstud Derby Shoes, (2022), Farfetch.com, [site visited: May 17, 2022], Available from URL: <https://www.farfetch.com/shopping/men/valentino-garavani-rockstud-derby-shoes-item-14950476.aspx?storeid=13539> (Year: 2022).*

Valentino, Nude Pink Soul Rockstud Sneakers, (2022), 1stDibs.com, [site visited: May 17, 2022], Available from URL: https://www.1stdibs.com/fashion/clothing/shoes/valentino-nude-pink-soul-rockstud-sneakers-flats-shoes-395/id-v_14316072/ (Year: 2022).*

Valentino Garavani, Rockstud Derby Shoes, (2022), Farfetch.com, [site visited: May 17, 2022], Available from URL: <https://www.farfetch.com/shopping/men/valentino-garavani-rockstud-derby-shoes-item-12127175.aspx?storeid=9393> (Year: 2022).*

Hard N Heavy, Biker Genuine Leather Boots, (2022), HardHeavy.com, [site visited: May 18, 2022], Available from URL: https://hardnheavy.store/products/biker-genuine-leather-womens-boots-round-toe-autumn-winter-motorcycle-rivet-ankle-boots-in-black?_pos=6&_sid=2954209fa&_ss=r&variant=42570803052785 (Year: 2022).*

Hard N Heavy, Genuine Leather Punk Rock Boots, (2022), HardHeavy.com, [site visited: May 18, 2022], Available from URL: <https://hardnheavy.store/products/genuine-leather-punk-rock-boots-women-square-heels-ankle-shoes-with-rivets-biker-boots?variant=41815003988131> (Year: 2022).*

* cited by examiner

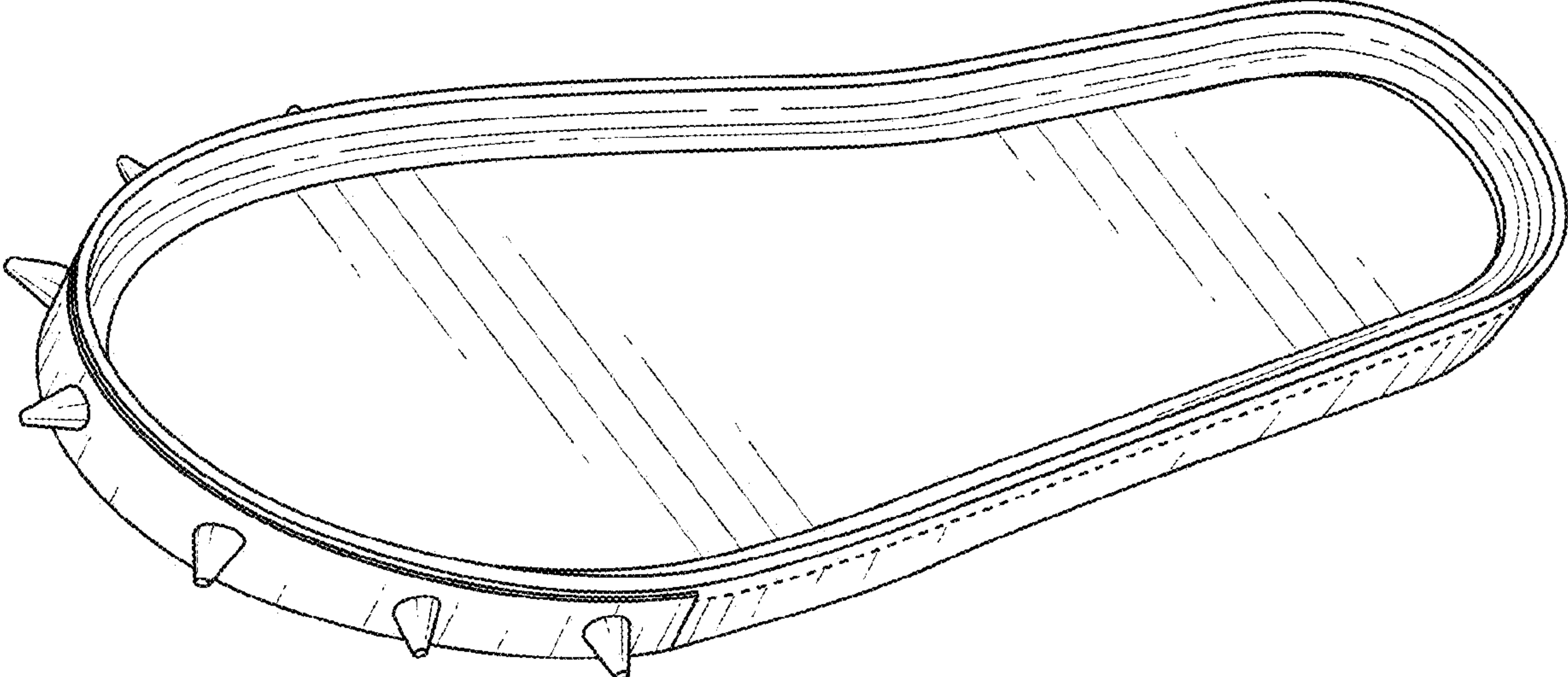


FIG. 1

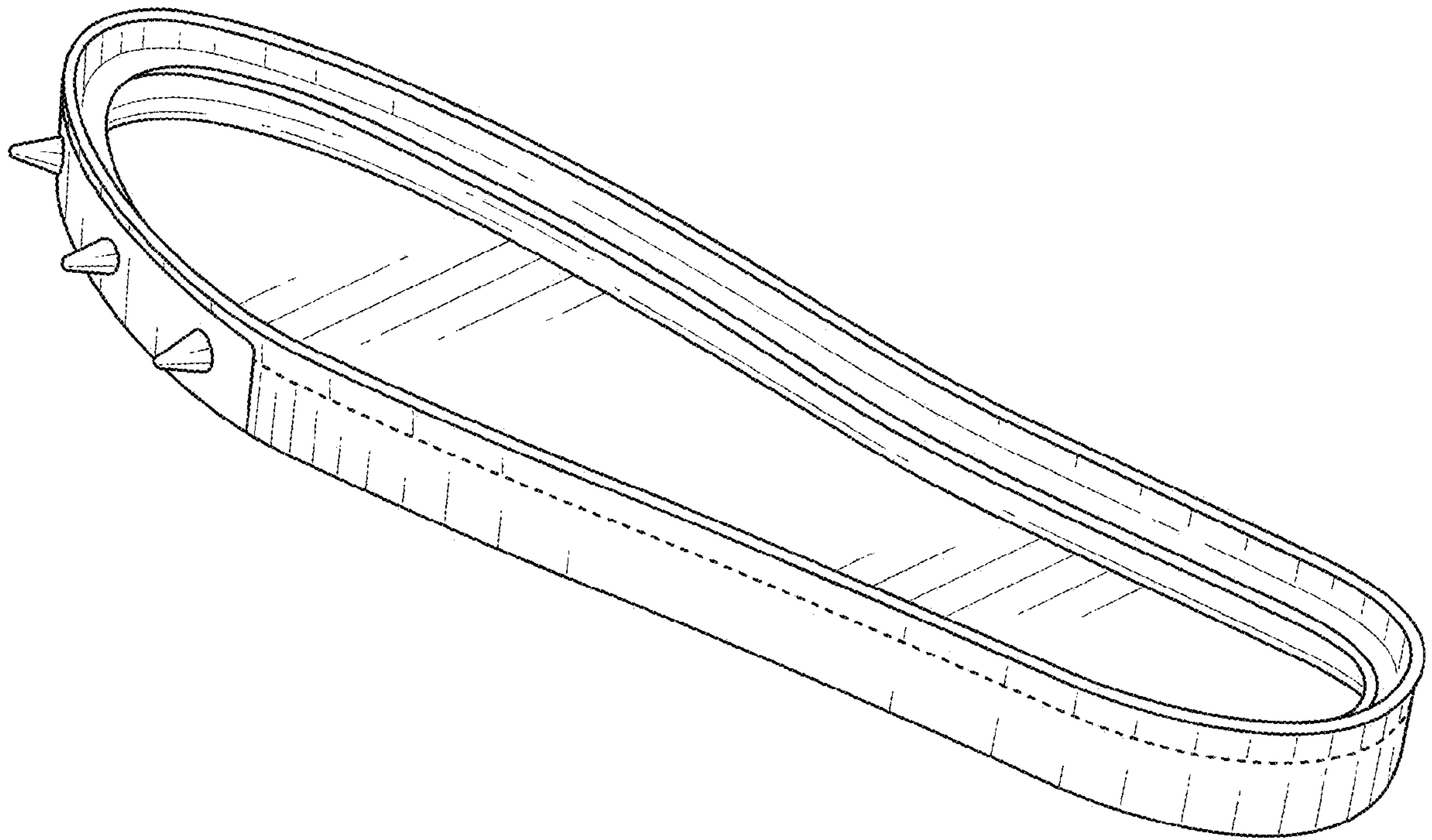


FIG. 2

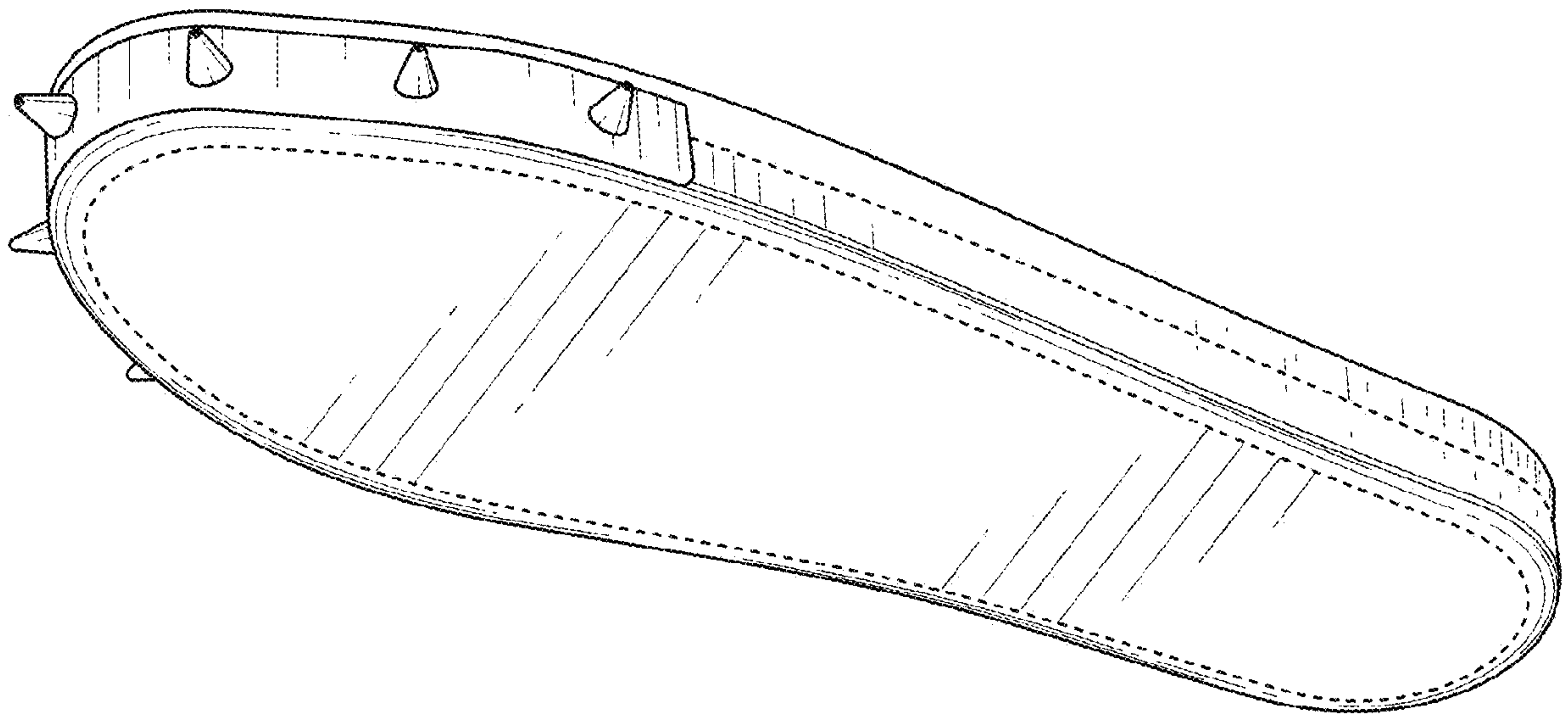


FIG. 3

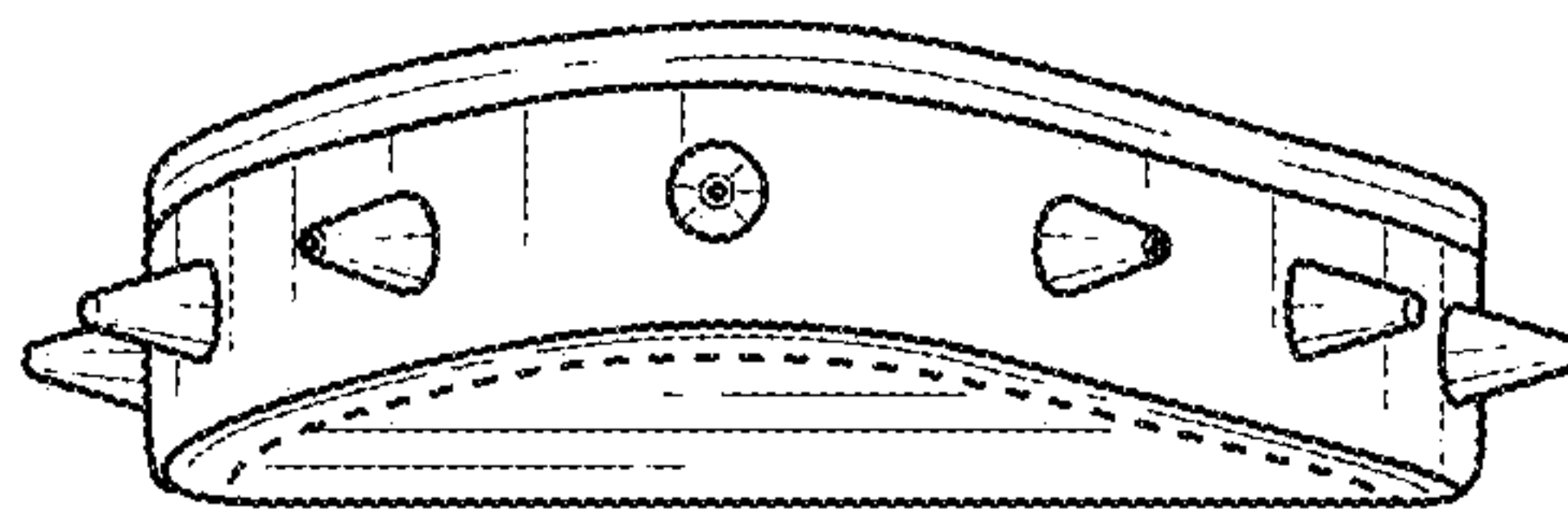


FIG. 4

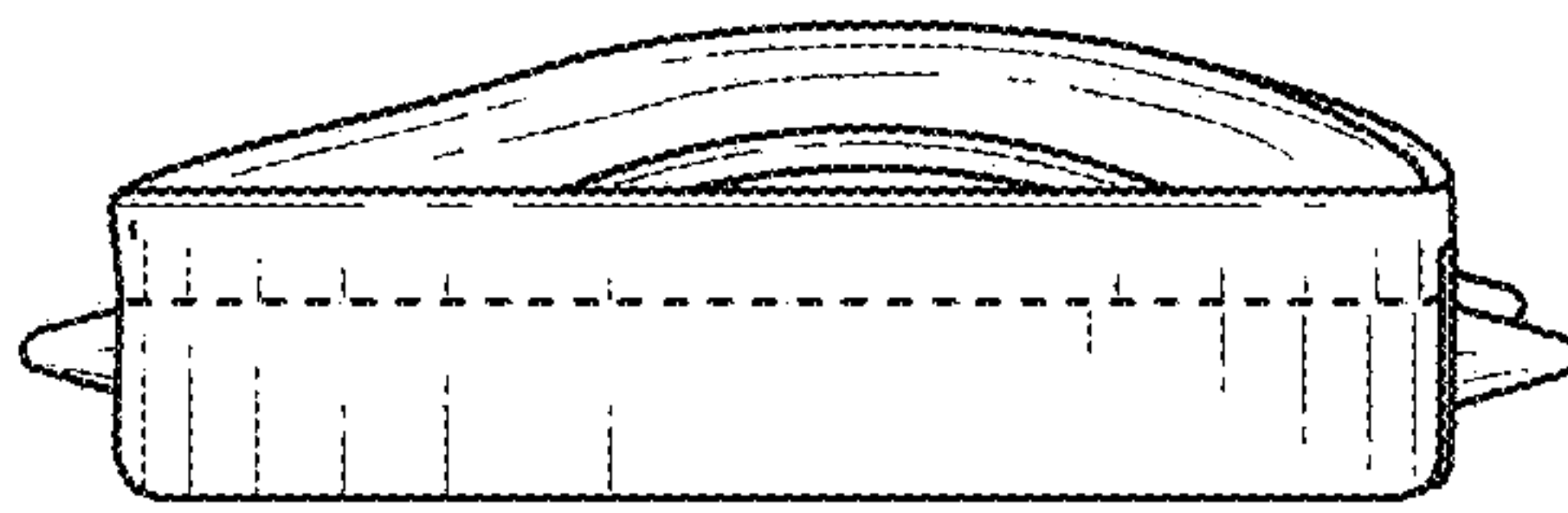


FIG. 5

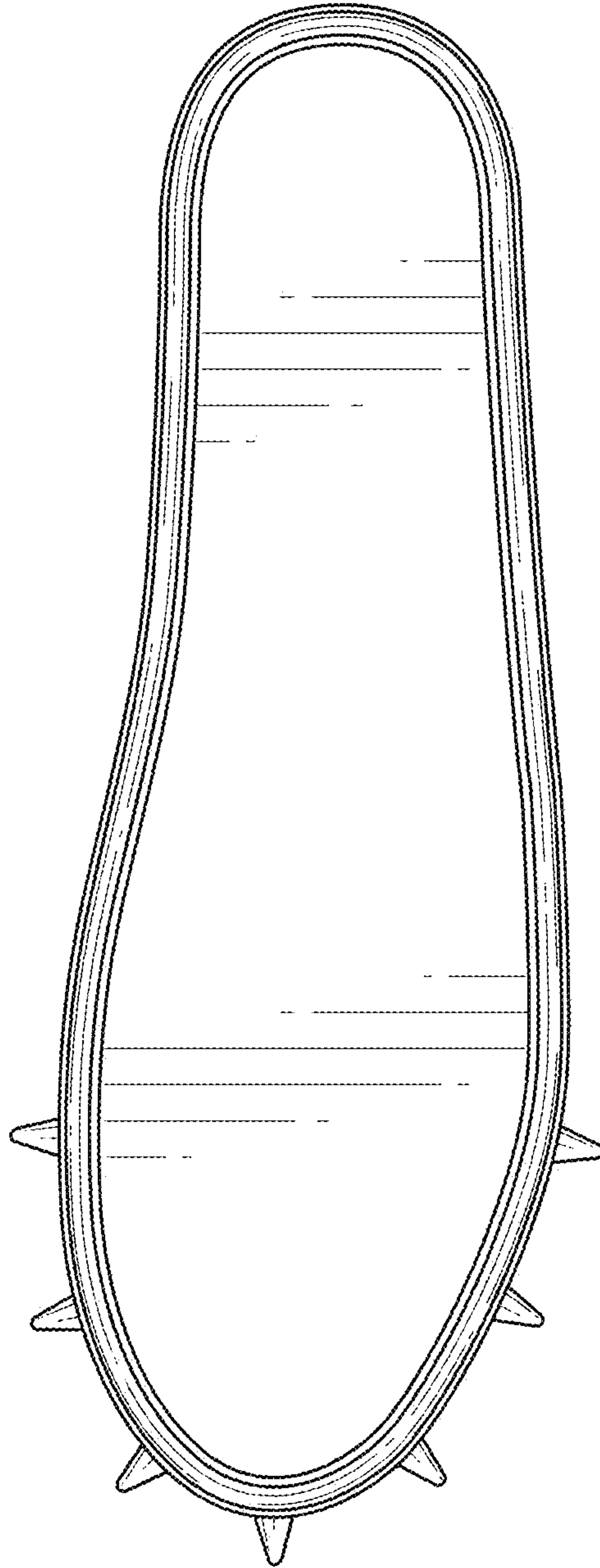


FIG. 6

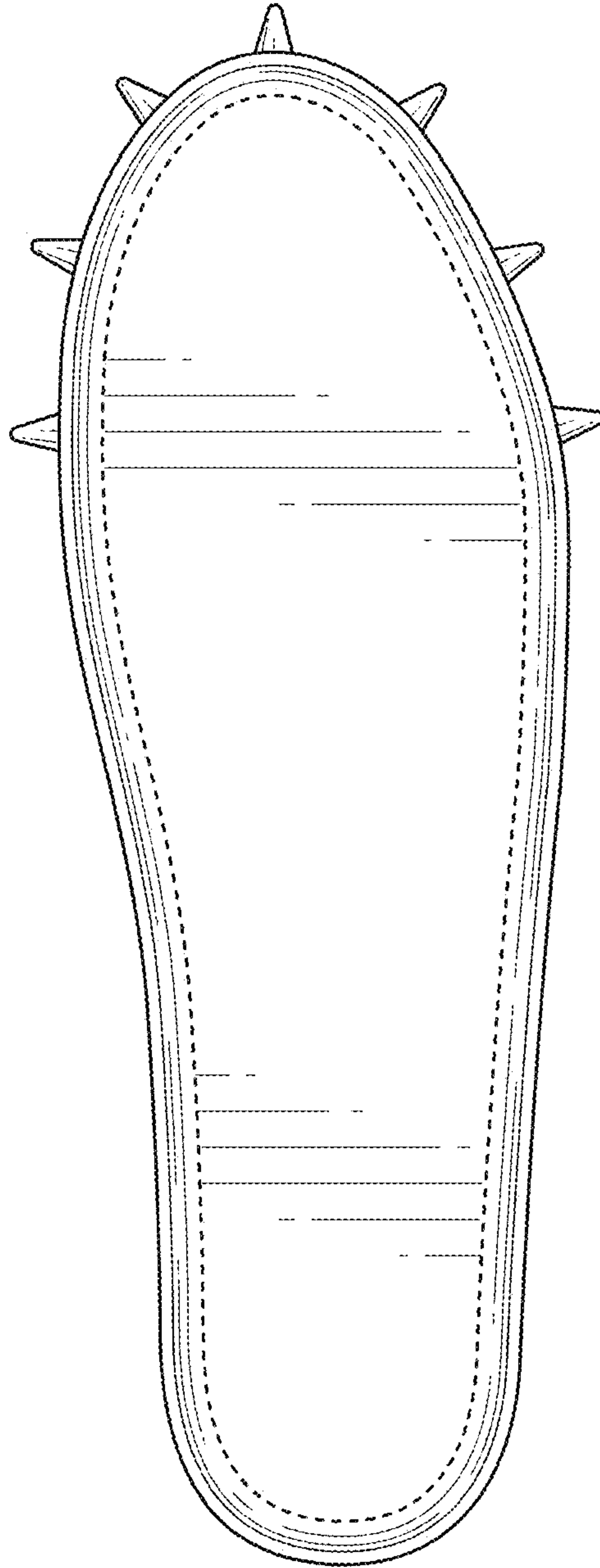


FIG. 7

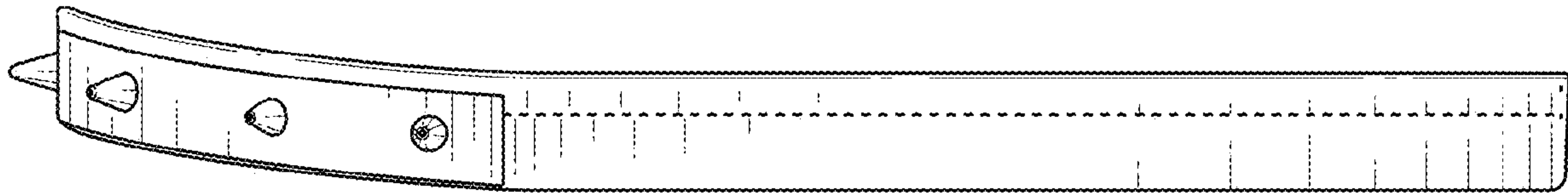


FIG. 8

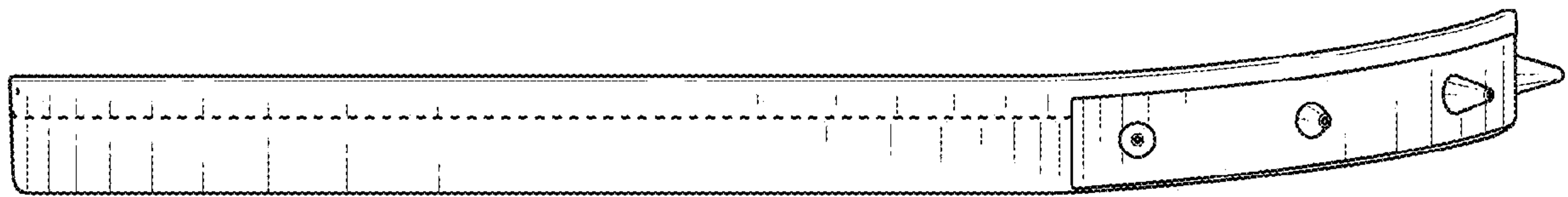


FIG. 9