



US00D975412S

(12) **United States Design Patent** (10) **Patent No.:** **US D975,412 S**
Devito (45) **Date of Patent:** **** Jan. 17, 2023**

(54) **SHOE**
(71) Applicant: **Converse Inc.**, Boston, MA (US)
(72) Inventor: **Tony Devito**, Cambridge, MA (US)
(73) Assignee: **Converse Inc.**, Boston, MA (US)
(**) Term: **15 Years**
(21) Appl. No.: **29/689,158**
(22) Filed: **Apr. 26, 2019**
(51) **LOC (14) Cl.** **02-04**
(52) **U.S. Cl.**
USPC **D2/947; D2/960**
(58) **Field of Classification Search**
USPC D2/896, 902, 905, 906, 907, 908, 910,
D2/911, 943, 944, 945, 947, 969, 972,
D2/946, 951, 953, 960, 968, 977
CPC A43B 1/00; A43B 1/12; A43B 1/14; A43B
3/00; A43B 5/00; A43B 5/001; A43B
5/003; A43B 5/006; A43B 5/007; A43B
5/008; A43B 5/02; A43B 5/06; A43B
5/08; A43B 5/10; A43B 5/14; A43B
13/00; A43B 13/04; A43B 23/00; A43B
23/021; A43B 23/0215; A43B 13/02;
A43B 13/023; A43B 13/026; A43B
13/08; A43B 13/10; A43B 13/12; A43B
13/14; A43B 13/141; A43B 13/143; A43B
13/16; A43B 13/18; A43B 13/181; A43B
13/187; A43B 13/189; A43B 13/20; A43B
13/22; A43B 13/223; A43B 1/08; A43B
1/10; A43B 5/002; A43B 13/24; A43B
13/28; A43B 13/30; A43B 13/32; A43B
13/34; A43B 13/36
See application file for complete search history.

(56) **References Cited**
U.S. PATENT DOCUMENTS
D401,045 S * 11/1998 Greenberg D2/960
D408,119 S * 4/1999 Greenberg D2/960

D408,977 S * 5/1999 Greenberg D2/960
D728,911 S * 5/2015 Spring D2/951
D737,032 S * 8/2015 Bizzo D2/951
D755,492 S * 5/2016 Bizzo D2/951
D756,096 S * 5/2016 Bizzo D2/951
D759,360 S * 6/2016 Zappiello D2/951
D770,740 S * 11/2016 Teteriatnikov D2/947
D795,545 S * 8/2017 Sabino D2/951
D808,146 S * 1/2018 Smyth D2/972
D811,075 S * 2/2018 Guzman D2/972
9,907,360 B2 * 3/2018 Foster A43C 5/00
D831,318 S * 10/2018 Louboutin D2/951
D834,795 S * 12/2018 Vasyli D2/947
D838,460 S * 1/2019 Jalbert D2/972
D838,948 S * 1/2019 Sassi D2/912
D838,949 S * 1/2019 Sassi D2/944
D848,713 S * 5/2019 Blauer D2/947
D861,309 S * 10/2019 Wang D2/951

(Continued)

Primary Examiner — Elizabeth J Oswecki
(74) *Attorney, Agent, or Firm* — Banner & Witcoff, Ltd.

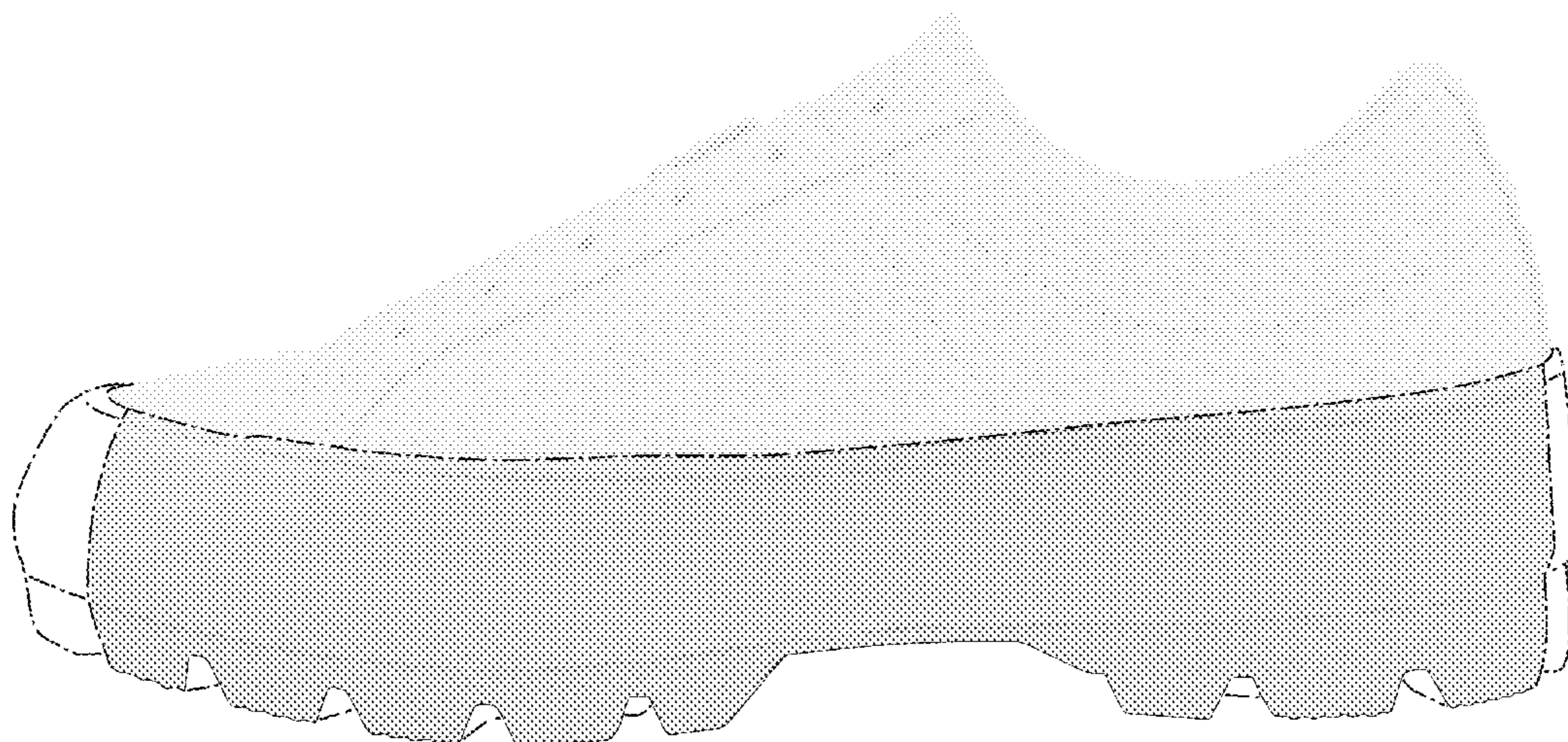
(57) **CLAIM**

The ornamental design for a shoe, as shown and described.

DESCRIPTION

FIG. 1 is a photographic side view of a shoe showing my new design;
FIG. 2 is a front view thereof;
FIG. 3 is a rear view thereof; and,
FIG. 4 is a photographic side view showing the shoe of FIG. 1 with environment removed for clarity purposes.
The broken lines immediately adjacent to the photographic area represent the bounds of the claimed design and form no part thereof. The lighter grey showing of the shoe upper is for the purpose of illustrating portions of the shoe which form no part of the claimed design. The broken line showing of the remainder of the sole forms no part of the claimed design.

1 Claim, 4 Drawing Sheets



(56)

References Cited

U.S. PATENT DOCUMENTS

D862,056	S *	10/2019	Wang	D2/947
D870,437	S *	12/2019	Swartz	D2/951
D873,547	S *	1/2020	Rauner	D2/947
D874,106	S *	2/2020	Rauner	D2/947
D878,735	S *	3/2020	Engel	D2/973
D879,423	S *	3/2020	Engel	D2/947
D880,121	S *	4/2020	Jalbert	D2/951
D880,128	S	4/2020	Devito		
D880,129	S *	4/2020	Blauer	D2/951
D891,072	S *	7/2020	Makere	D2/971
D894,578	S *	9/2020	Makere	D2/971
D932,746	S *	10/2021	Kim	D2/902
D936,934	S *	11/2021	DeFarkas	D2/750
D937,553	S *	12/2021	Guzman	D2/972
D938,713	S *	12/2021	Perkins	D2/973
D943,925	S *	2/2022	Rauner	D2/972
D943,951	S *	2/2022	Engel	D2/972
D948,863	S *	4/2022	Gonzalez	D2/972
D949,542	S *	4/2022	Gonzalez	D2/972
D952,314	S *	5/2022	Guzman	D2/972
D952,994	S *	5/2022	Yang	D2/944
D952,999	S *	5/2022	Guzman	D2/947
D953,009	S *	5/2022	Heinrich	D2/972
D959,805	S *	8/2022	Dunham	D2/951
2008/0229617	A1 *	9/2008	Johnson	A43B 3/0057 36/102
2009/0255625	A1 *	10/2009	Fox	B32B 27/065 156/247
2017/0020228	A1 *	1/2017	Scofield	A43B 13/122

* cited by examiner

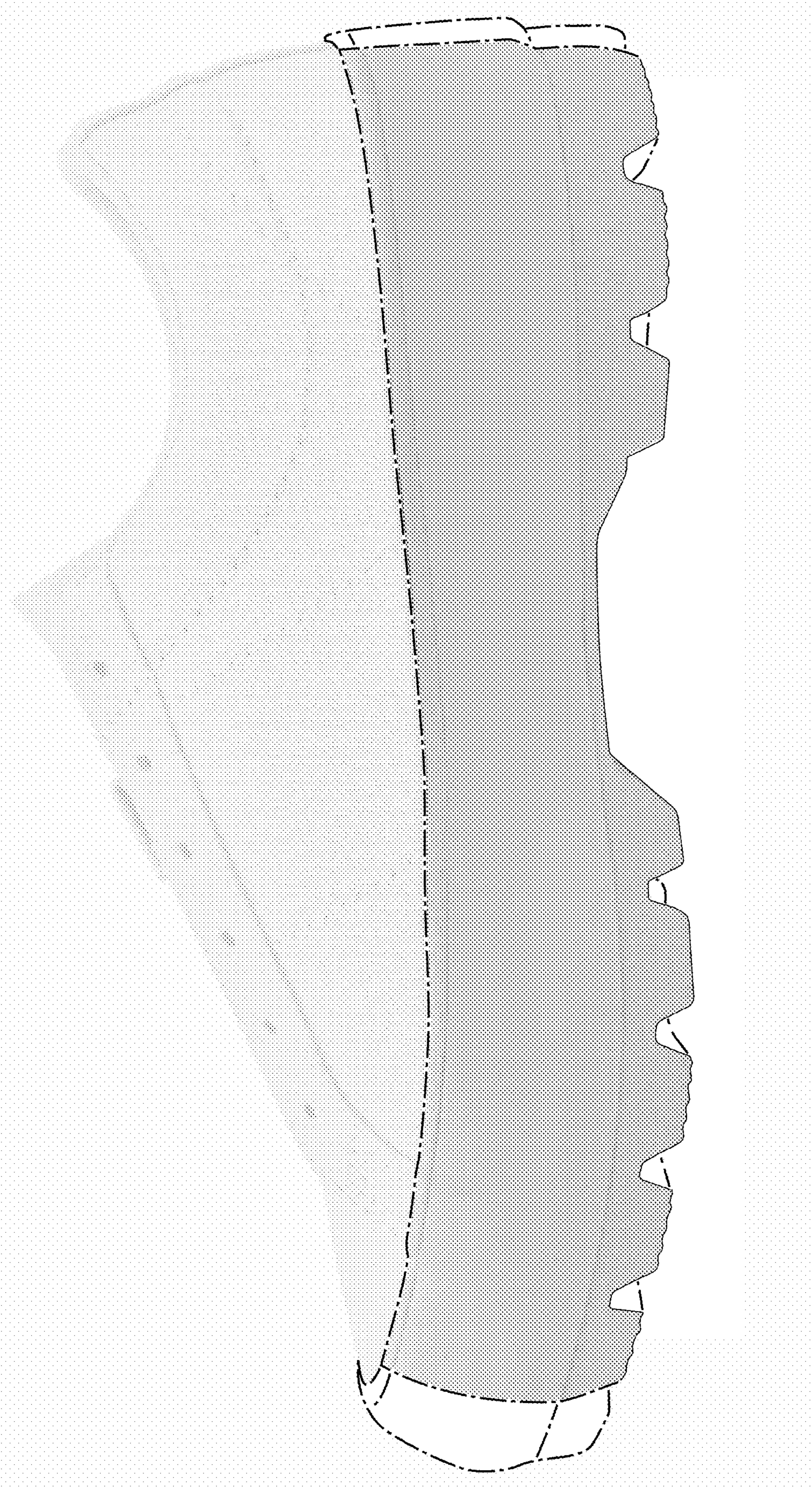


FIG. 1

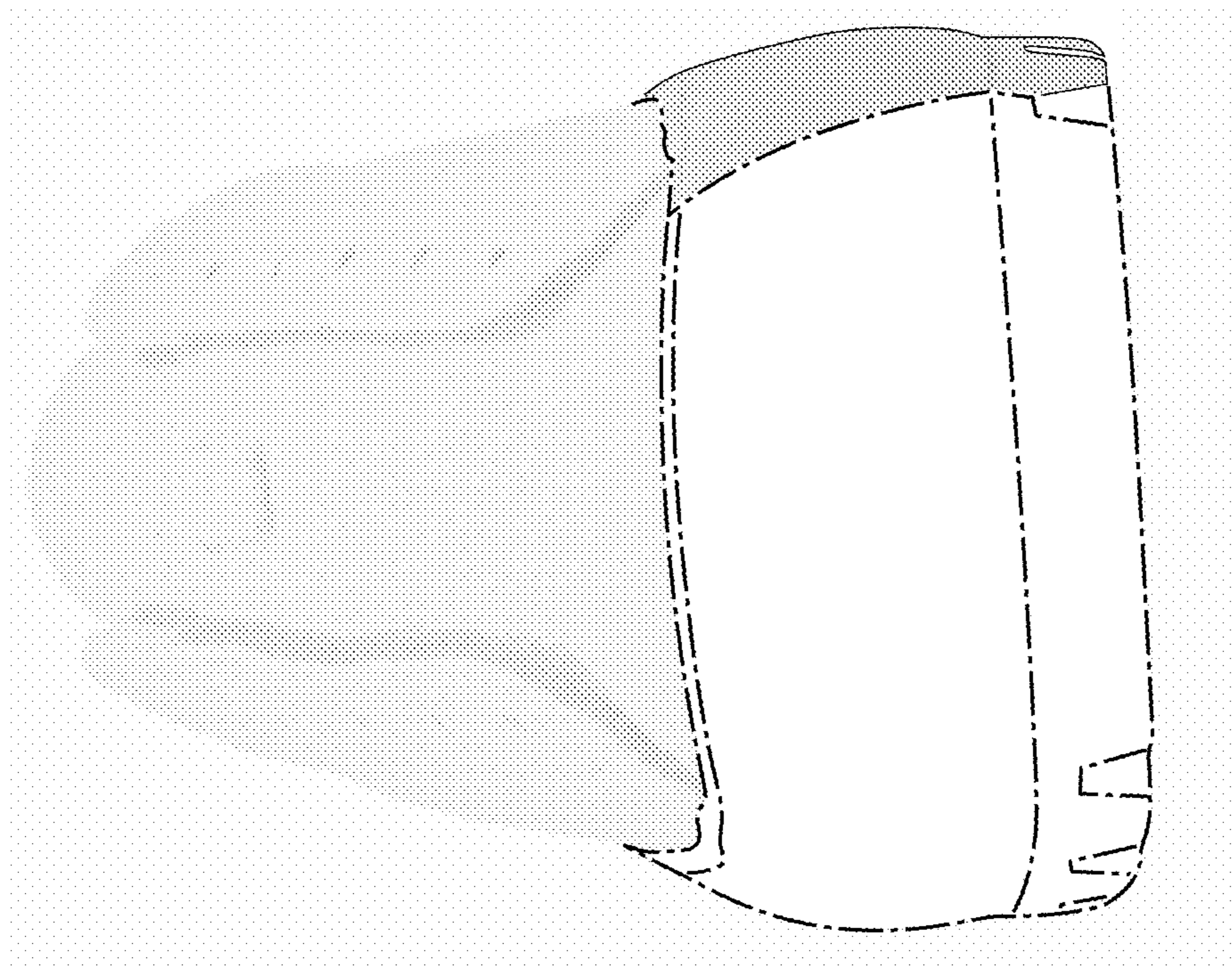


FIG. 2

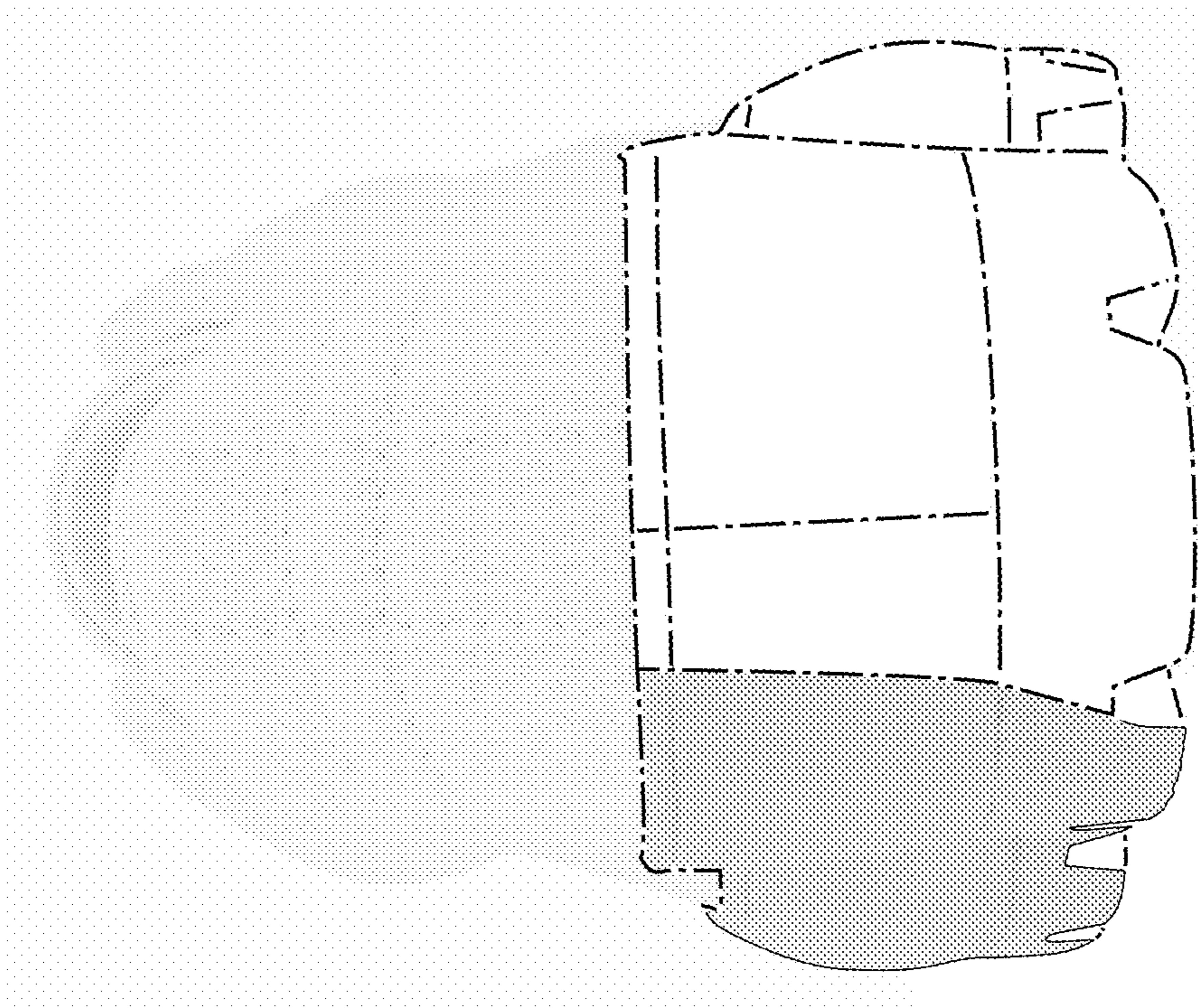


FIG. 3

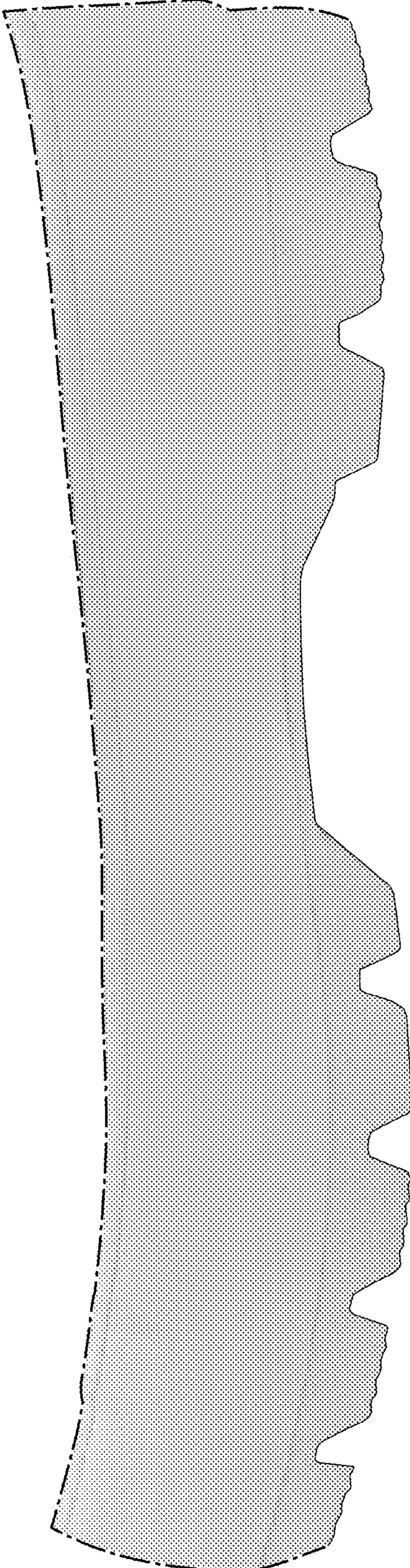


FIG. 4