



US00D975411S

(12) **United States Design Patent** (10) **Patent No.:** **US D975,411 S**  
**Pu** (45) **Date of Patent:** **\*\* Jan. 17, 2023**

(54) **SANDAL**  
(71) Applicant: **Wenbin Pu**, Sichuan (CN)  
(72) Inventor: **Wenbin Pu**, Sichuan (CN)  
(\*\*) Term: **15 Years**  
(21) Appl. No.: **29/842,402**  
(22) Filed: **Jun. 13, 2022**  
(51) **LOC (14) Cl.** ..... **02-04**  
(52) **U.S. Cl.**  
USPC ..... **D2/925**; D2/916; D2/918; D2/929;  
D2/930  
(58) **Field of Classification Search**  
USPC ..... D2/896, 909, 913, 914, 916, 917, 919,  
D2/920, 921, 922, 923, 925, 926, 927,  
D2/928, 929, 930, 931, 932, 936, 939,  
D2/940, 941, 942, 943, 946, 965, 969,  
D2/971, 972, 974  
CPC .. A43B 3/00; A43B 3/10; A43B 3/101; A43B  
3/103; A43B 3/105; A43B 3/106; A43B  
3/107; A43B 3/108; A43B 3/12; A43B  
3/122; A43B 3/124; A43B 3/126; A43B  
3/128; A43B 13/40; A43B 23/04; A43B  
23/042  
See application file for complete search history.

(56) **References Cited**  
U.S. PATENT DOCUMENTS  
2,395,767 A \* 2/1946 Sutcliffe ..... A43B 3/122  
D2/916  
D158,331 S \* 4/1950 Sandler ..... D2/918  
D158,470 S \* 5/1950 Koomruian ..... D2/932  
D158,653 S \* 5/1950 Fenlason ..... D2/916  
D172,976 S \* 9/1954 Langdon et al. .... D2/918  
D228,701 S \* 10/1973 Ostergaard ..... D2/916  
D513,846 S \* 1/2006 Choi ..... D2/971  
D527,880 S \* 9/2006 Choi ..... D2/917  
D530,064 S \* 10/2006 Choi ..... D2/971  
D530,890 S \* 10/2006 Choi ..... D2/971

D534,713 S \* 1/2007 Weitzman ..... D2/929  
D535,466 S \* 1/2007 Choi ..... D2/971  
D536,165 S \* 2/2007 Kelsey ..... D2/971  
D540,023 S \* 4/2007 Kelsey ..... D2/971  
D540,529 S \* 4/2007 Kelsey ..... D2/971  
D567,488 S \* 4/2008 Lawler ..... D2/933  
D572,444 S \* 7/2008 Goldman  
D582,653 S \* 12/2008 Guers-Neyraud ..... D2/971  
(Continued)

**FOREIGN PATENT DOCUMENTS**

WO D202060-002 \* 8/2019

**OTHER PUBLICATIONS**

Isnom Lace Up Heels, First available: Dec. 28, 2020 [online],  
[visited: Oct. 31, 2022] Available from the internet URL: [https://www.amazon.com/dp/B08RDBS2JM?\\_encoding=UTF8&psc=1&ref\\_=cm\\_sw\\_r\\_cp\\_ud\\_dp\\_RESA63VM5S06RHK1F5WK](https://www.amazon.com/dp/B08RDBS2JM?_encoding=UTF8&psc=1&ref_=cm_sw_r_cp_ud_dp_RESA63VM5S06RHK1F5WK) (Year: 2020).\*

(Continued)

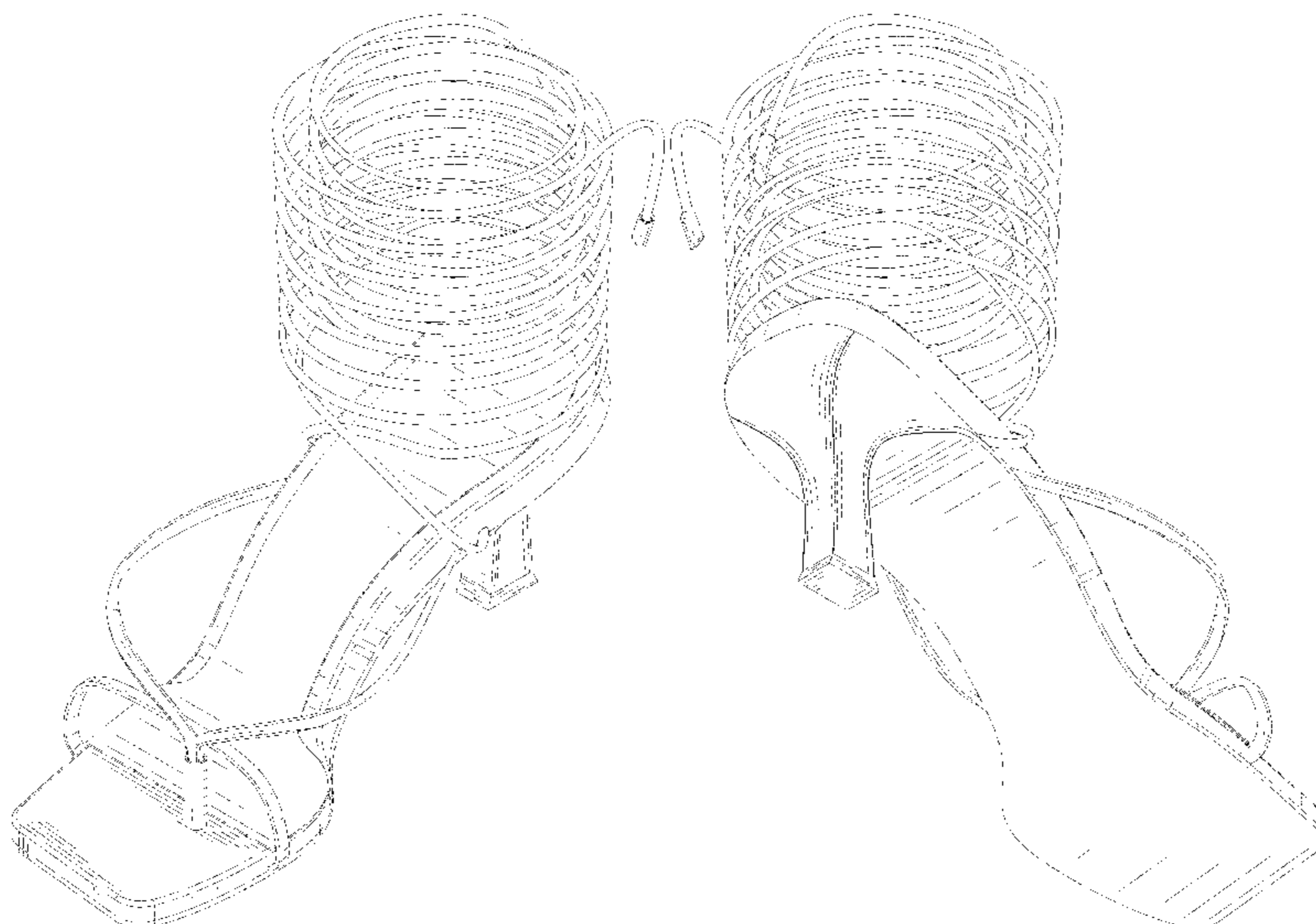
*Primary Examiner* — Jonathan J Han  
*Assistant Examiner* — Jeff Lenard D Torres

(57) **CLAIM**  
The ornamental design for a sandal, as shown and described.

**DESCRIPTION**

FIG. 1 is a perspective view of a sandal showing my new design.  
FIG. 2 is another perspective view thereof.  
FIG. 3 is a front view thereof.  
FIG. 4 is a rear view thereof.  
FIG. 5 is a left side view thereof.  
FIG. 6 is a right side view thereof.  
FIG. 7 is a top view thereof; and,  
FIG. 8 is a bottom view thereof.  
The broken lines illustrate portions of the sandal that form no part of the claimed design.

**1 Claim, 8 Drawing Sheets**



(56)

References Cited

U.S. PATENT DOCUMENTS

D583,538 S \* 12/2008 Choi ..... D2/929  
 D590,144 S \* 4/2009 Guers-Neyraud ..... D2/971  
 D632,469 S 2/2011 Guers-Neyraud  
 D647,291 S 10/2011 Ringholz  
 D662,297 S 6/2012 Ringholz  
 D675,405 S \* 2/2013 Khoury ..... D2/917  
 D709,686 S \* 7/2014 LaRusso ..... D2/935  
 D710,076 S \* 8/2014 LaRusso ..... D2/978  
 D750,359 S \* 3/2016 Osorio ..... D2/935  
 D751,802 S 3/2016 Garrett  
 D770,736 S \* 11/2016 De Brito ..... D2/917  
 D789,050 S 6/2017 Slimane  
 D789,662 S 6/2017 Slimane  
 D790,816 S 7/2017 Slimane  
 D791,459 S \* 7/2017 Casadei ..... D2/971  
 D794,285 S \* 8/2017 Osorio ..... D2/918  
 D808,143 S 1/2018 Negri  
 D827,258 S \* 9/2018 Pina ..... D2/916

D833,727 S 11/2018 Beckett  
 D943,872 S \* 2/2022 Sassi ..... D2/930  
 D943,873 S \* 2/2022 Sassi ..... D2/929

OTHER PUBLICATIONS

Lacuone Women's High heels, First available: Mar. 29, 2022 [online], [visited: Oct. 31, 2022] Available from the internet URL: [https://www.amazon.com/dp/B09NVV7NRK?ref\\_=cm\\_sw\\_r\\_cp\\_ud\\_dp\\_810RDDF33QFM7PH1GAN8&th=1](https://www.amazon.com/dp/B09NVV7NRK?ref_=cm_sw_r_cp_ud_dp_810RDDF33QFM7PH1GAN8&th=1) (Year: 2022).  
 Lishan Women's Ankle Strappy Gladiator High Heels, First available: Apr. 10, 2021 [online], [visited: Oct. 31, 2022] Available from the internet URL: [https://www.amazon.com/dp/B098DS9M2R?\\_encoding=UTF8&psc=1&ref\\_=cm\\_sw\\_r\\_cp\\_ud\\_dp\\_C9HCWYK9JKSJC33ZA8GP](https://www.amazon.com/dp/B098DS9M2R?_encoding=UTF8&psc=1&ref_=cm_sw_r_cp_ud_dp_C9HCWYK9JKSJC33ZA8GP) (Year: 2021).  
 Lishan Women's Thong Sandals, First available: Jun. 10, 2021 [online], [visited: Oct. 31, 2022] Available from the internet URL: [https://www.amazon.com/dp/B08YYTLWSN?ref\\_=cm\\_sw\\_r\\_cp\\_ud\\_dp\\_V0N29DX8S562QWHWZ7WQ](https://www.amazon.com/dp/B08YYTLWSN?ref_=cm_sw_r_cp_ud_dp_V0N29DX8S562QWHWZ7WQ) (Year: 2021).\*

\* cited by examiner

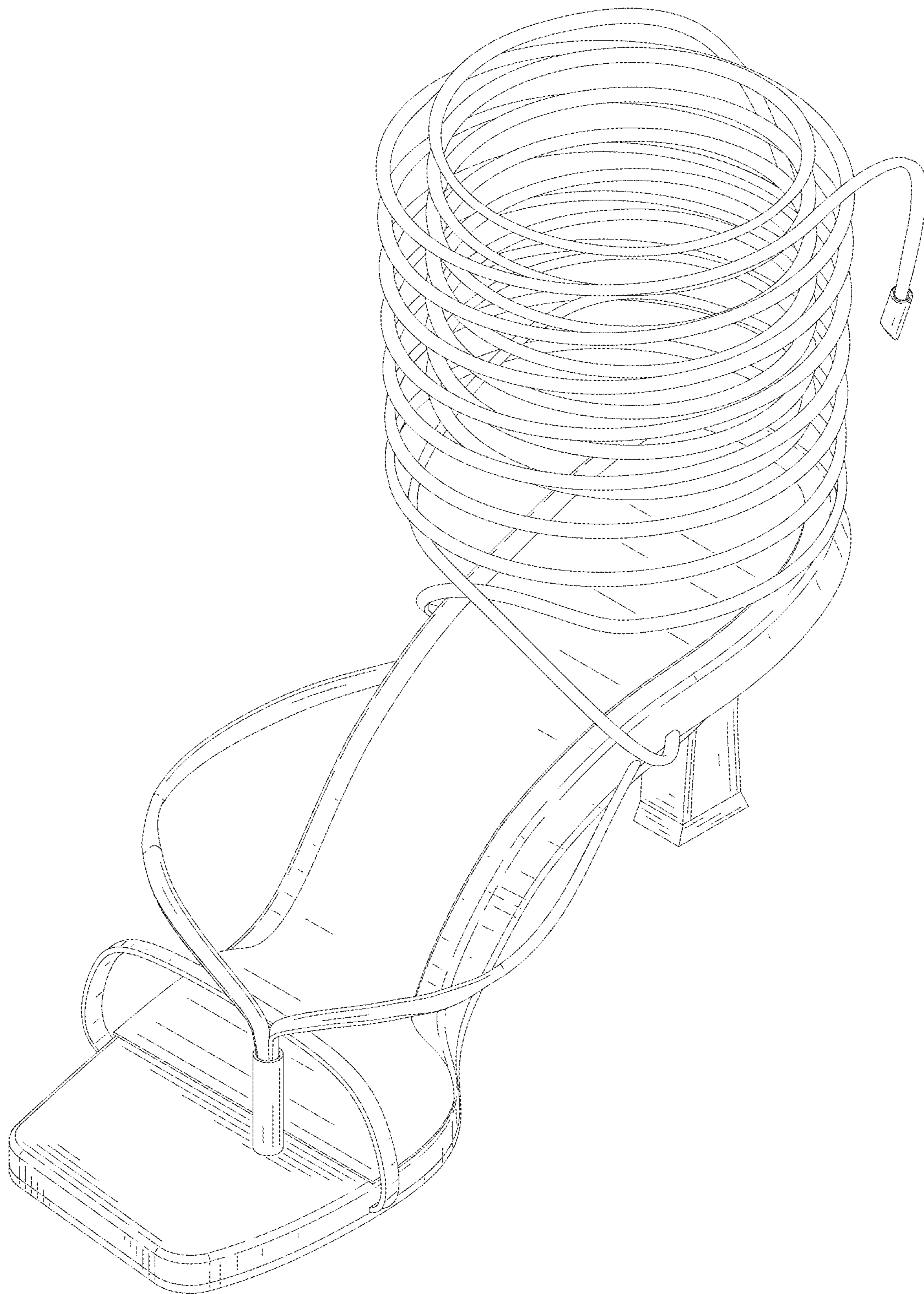


FIG. 1



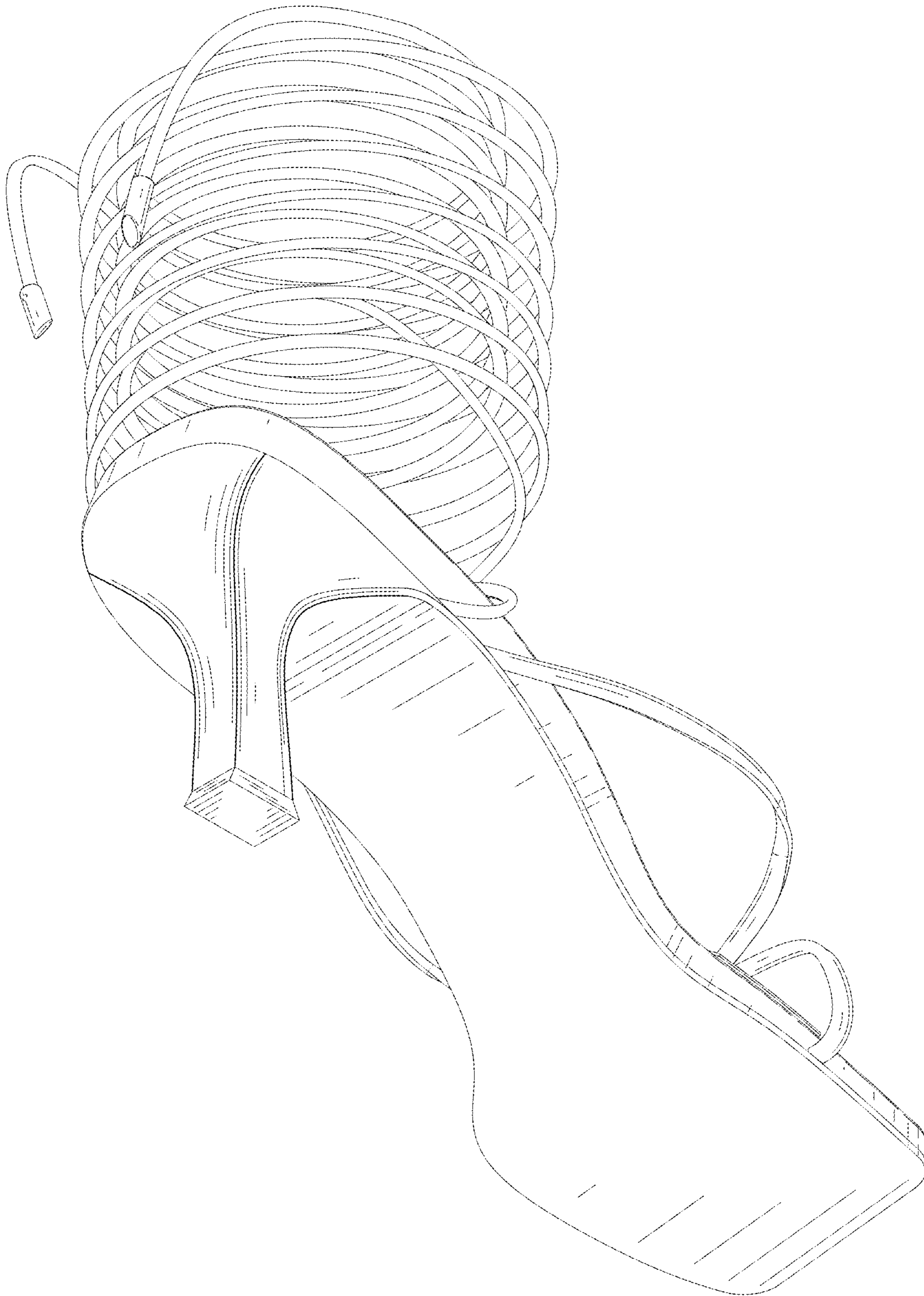


FIG. 2

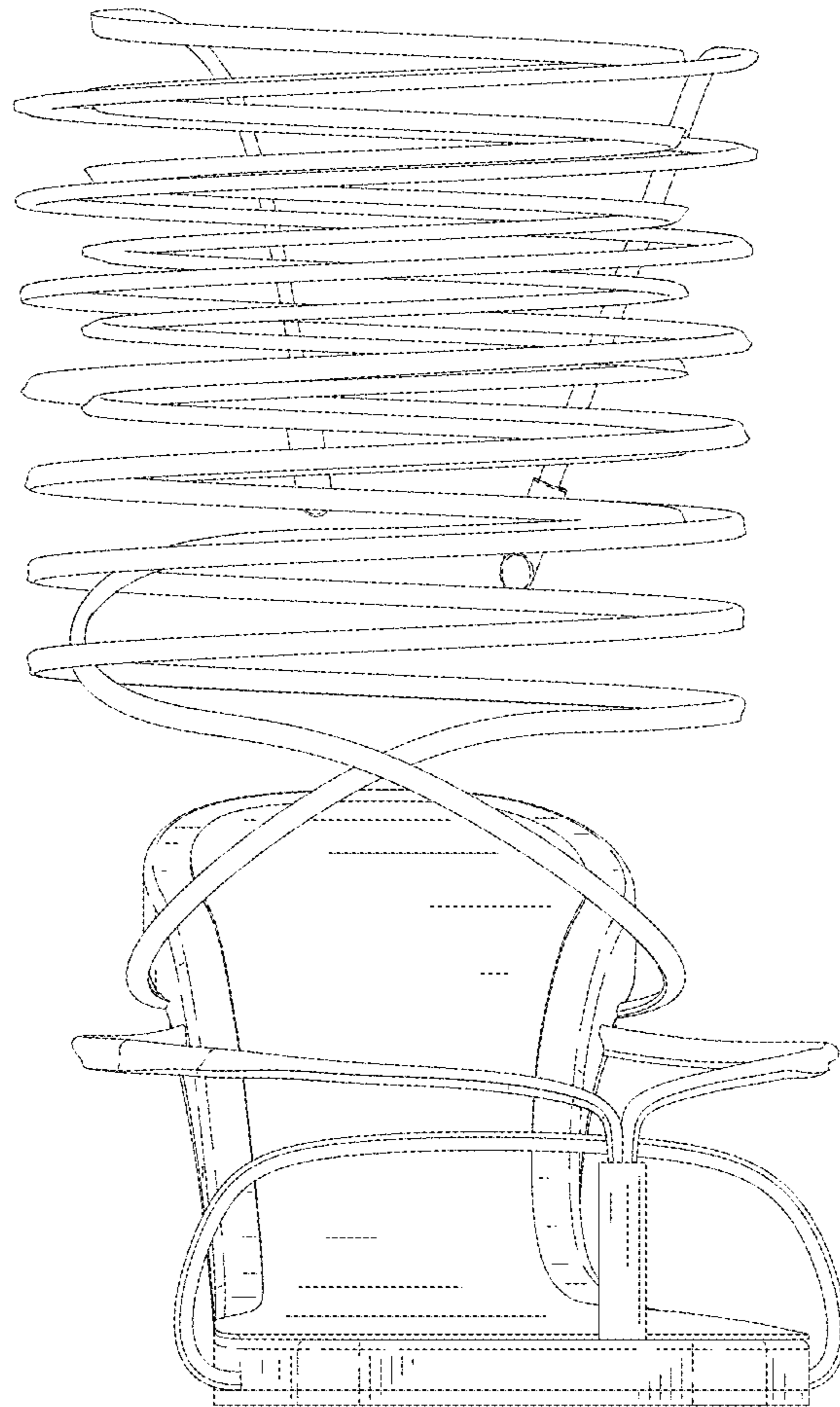


FIG. 3

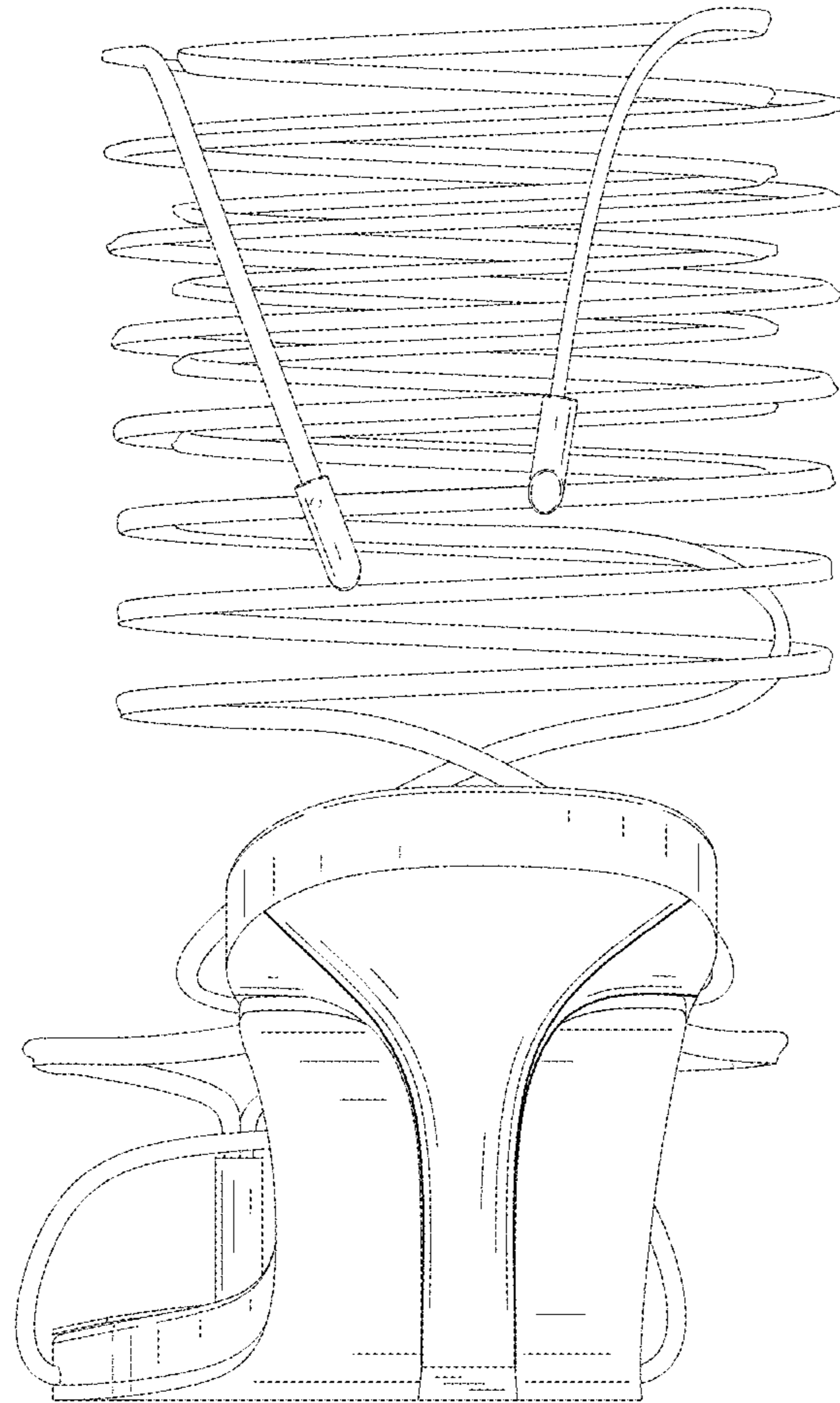


FIG. 4

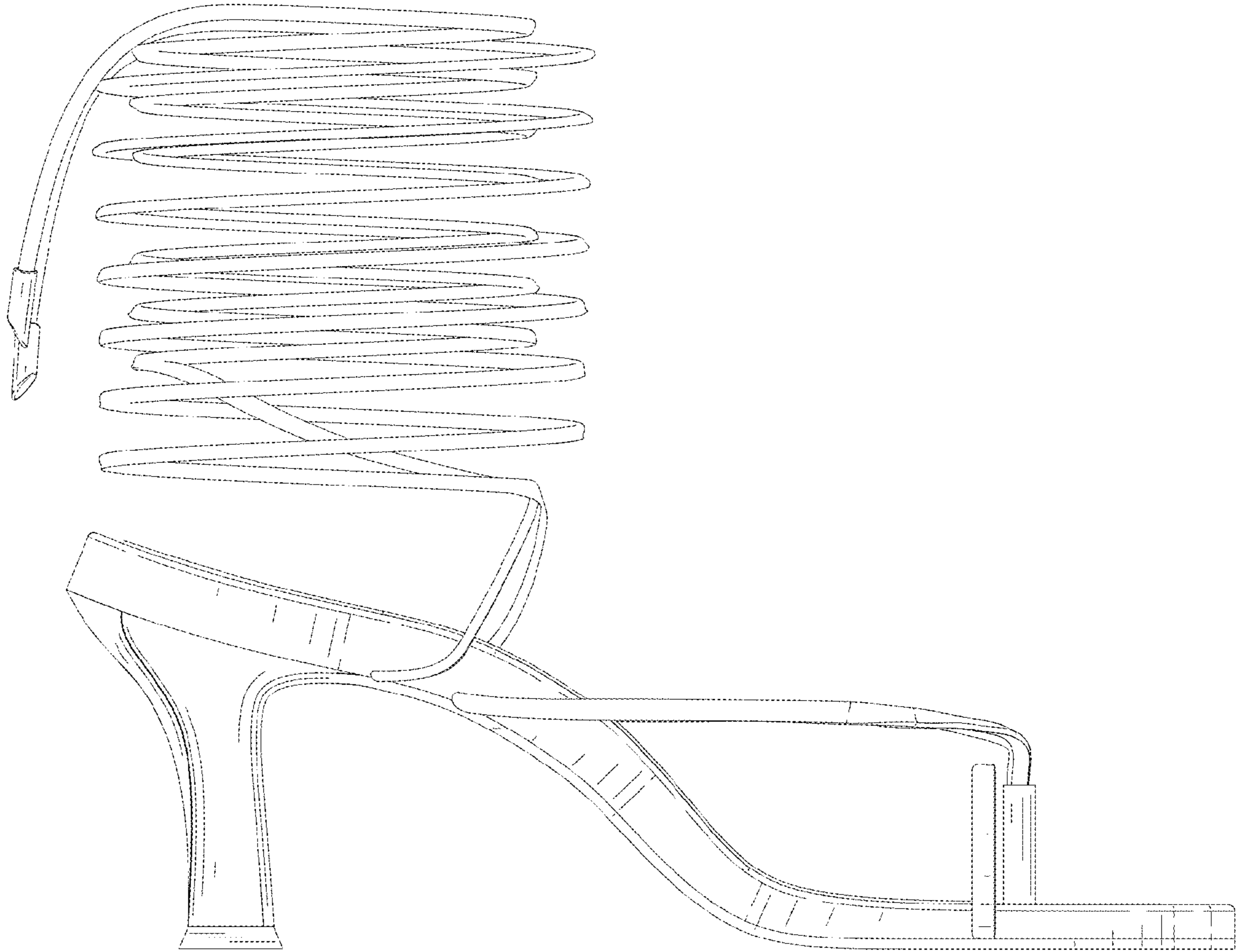


FIG. 5

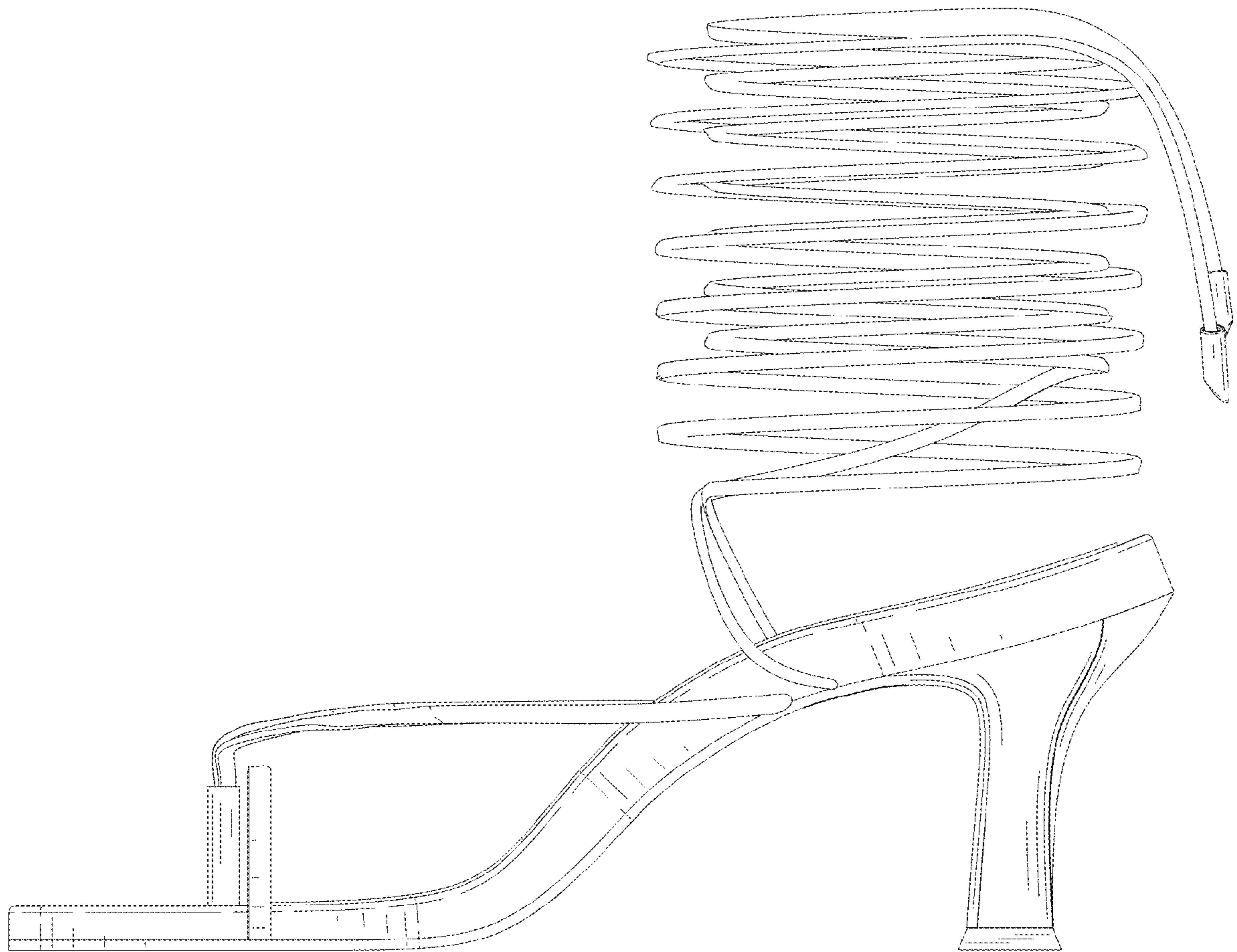


FIG. 6



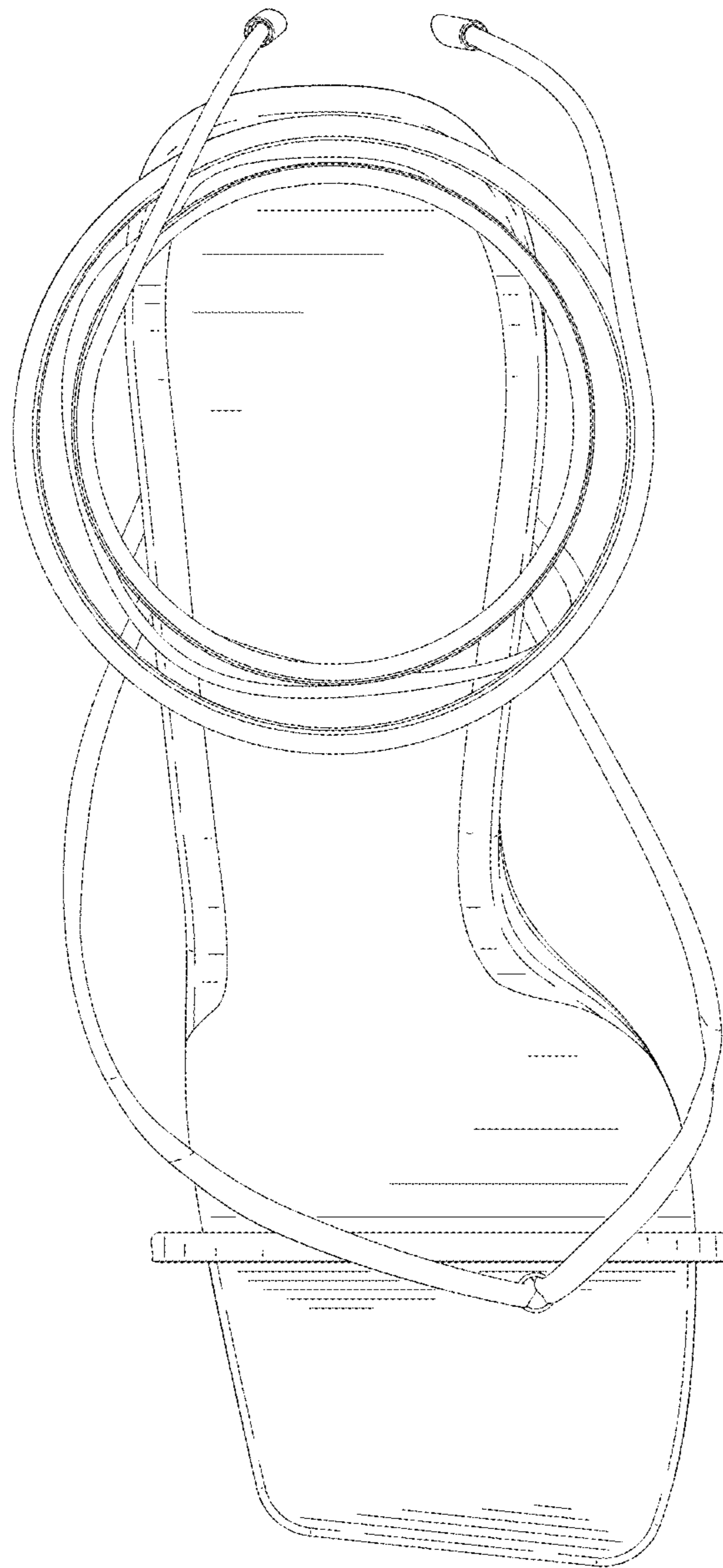


FIG. 7

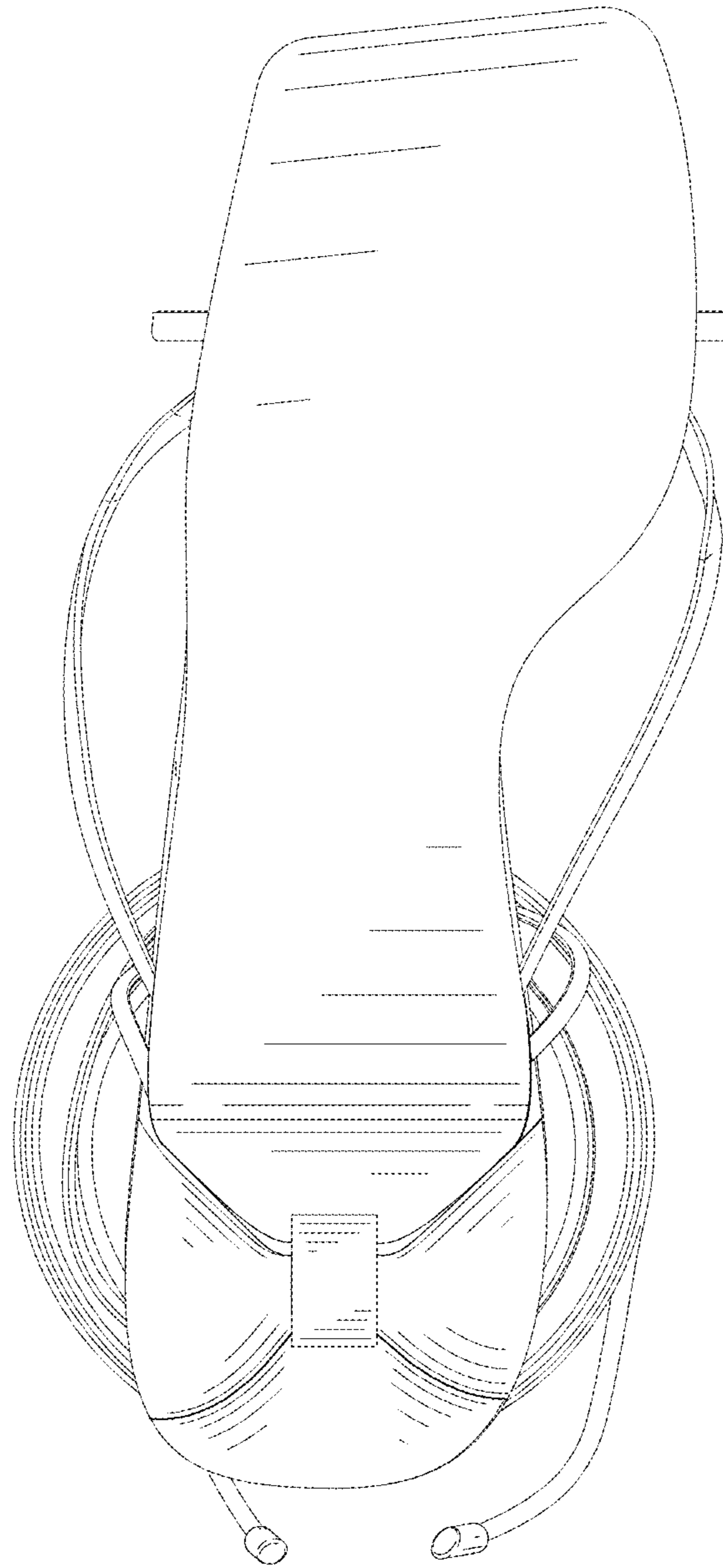


FIG. 8