



US00D975395S

(12) **United States Design Patent**  
**Huang**

(10) **Patent No.:** **US D975,395 S**

(45) **Date of Patent:** **\*\* Jan. 10, 2023**

(54) **POWER WINCH**

(71) Applicant: **Comeup Industries Inc.**, New Taipei (TW)

(72) Inventor: **Shih Jyi Huang**, New Taipei (TW)

(73) Assignee: **Comeup Industries Inc.**, New Taipei (TW)

(\*\*) Term: **15 Years**

(21) Appl. No.: **29/758,079**

(22) Filed: **Nov. 12, 2020**

(51) **LOC (14) Cl.** ..... **12-05**

(52) **U.S. Cl.**  
USPC ..... **D34/33**

(58) **Field of Classification Search**  
USPC ..... D34/28, 29, 30, 31, 33, 34, 35  
CPC ..... B66F 5/04; B66F 5/00; B66F 5/02; B66F 3/42; B66F 3/44; B66F 1/06; B66F 19/00; B66F 2700/05; B66D 1/12; B66D 1/00; B66D 1/36; B66D 1/30; B66D 1/18; B66D 2700/01

See application file for complete search history.

(56) **References Cited**

**U.S. PATENT DOCUMENTS**

D741,038	S	*	10/2015	Huang	.....	D34/33
D744,189	S	*	11/2015	Fretz	.....	D34/33
9,266,702	B2	*	2/2016	Fretz	.....	B66D 1/28
D815,386	S	*	4/2018	August	.....	D34/33
10,322,916	B2	*	6/2019	Cui	.....	B60D 1/185
10,875,749	B2	*	12/2020	Frazier	.....	B66D 1/22
11,001,483	B2	*	5/2021	Zheng	.....	B66D 1/28
2014/0001427	A1	*	1/2014	Fretz	.....	B66D 1/28 254/362
2014/0252286	A1	*	9/2014	Averill	.....	B66D 1/16 254/342

2016/0096709	A1	*	4/2016	Averill	.....	B66D 1/12 318/6
2018/0201488	A1	*	7/2018	Zheng	.....	B66D 1/12
2018/0273357	A1	*	9/2018	Huang	.....	B66D 1/00

**FOREIGN PATENT DOCUMENTS**

CN	306776703	*	8/2021
CN	307347513	*	5/2022

**OTHER PUBLICATIONS**

Badland winch, announced Dec. 2017 [online], [site visited Jul. 1, 2022]. Avail from int, URL: <https://www.harborfreight.com/12000-lb-winch-with-wire-rope-63770.html> (Year: 2017).\*

(Continued)

*Primary Examiner* — Cynthia Ramirez

*Assistant Examiner* — Tamara L Hahn

(74) *Attorney, Agent, or Firm* — Alan D. Kamrath; Karin L. Williams; Mayer & Williams PC

(57) **CLAIM**

The ornamental design for a power winch, as shown and described.

**DESCRIPTION**

FIG. 1 is a perspective view of the power winch showing my new design;

FIG. 2 is a front elevational view thereof;

FIG. 3 is a rear elevational view thereof;

FIG. 4 is a left side elevational view thereof;

FIG. 5 is a right side elevational view thereof;

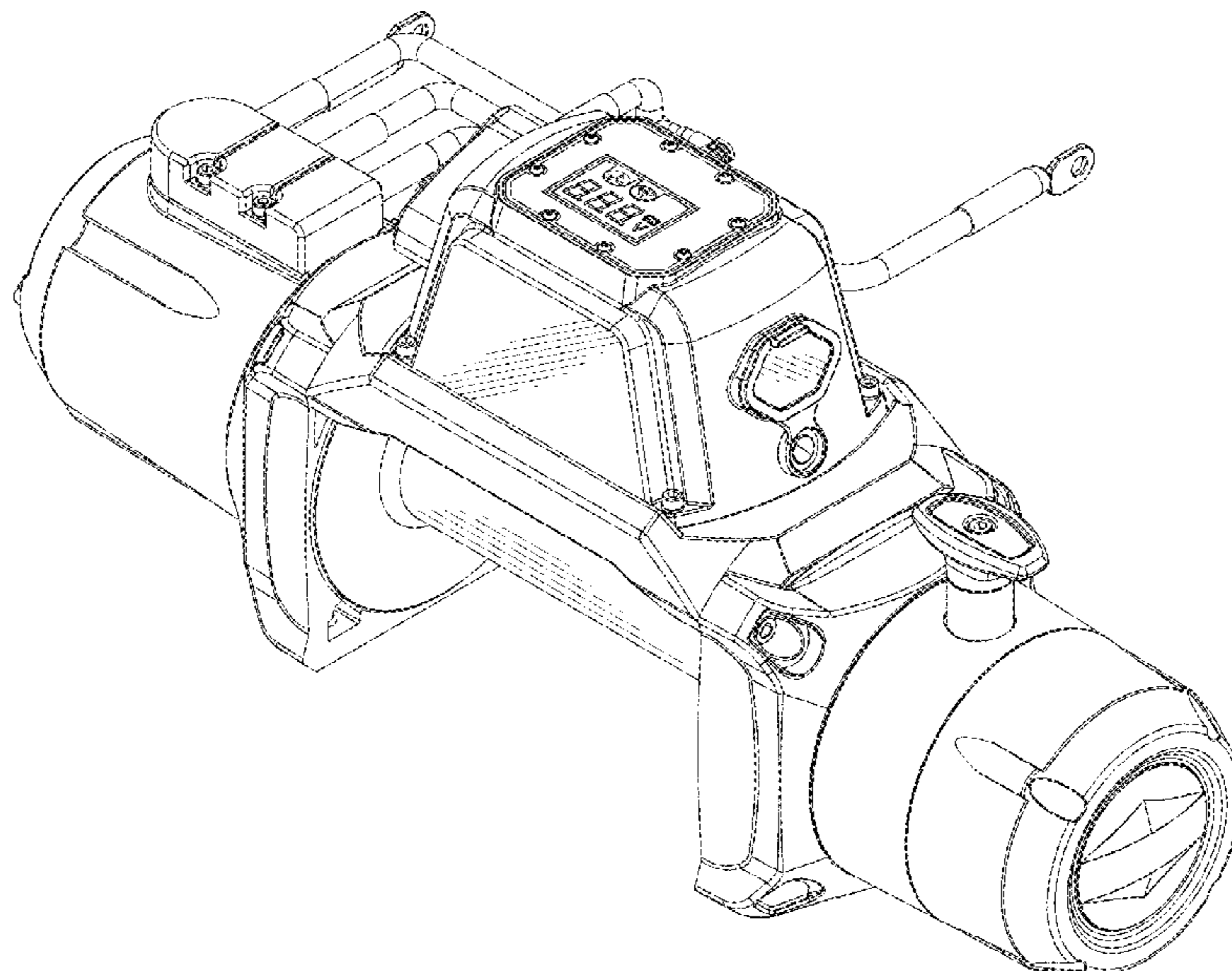
FIG. 6 is a top plan view thereof;

FIG. 7 is a bottom plan view thereof; and,

FIG. 8 is another perspective view showing the power winch.

The broken lines shown in the drawings depict proportions of the power winch that form no part of the claimed design.

**1 Claim, 7 Drawing Sheets**



(56)

**References Cited**

OTHER PUBLICATIONS

Overstock winch, announced 2022 [online], [site visited Jul. 1, 2022]. Avail from int, URL: [https://www.overstock.com/Home-Garden/Electrical-Hand-Tools/2053/subcat.html?featuredproduct=35893581&featuredooption=69247397&ci\\_sku=39975857-000-000&cnc=US](https://www.overstock.com/Home-Garden/Electrical-Hand-Tools/2053/subcat.html?featuredproduct=35893581&featuredooption=69247397&ci_sku=39975857-000-000&cnc=US) (Year: 2022).\*

\* cited by examiner

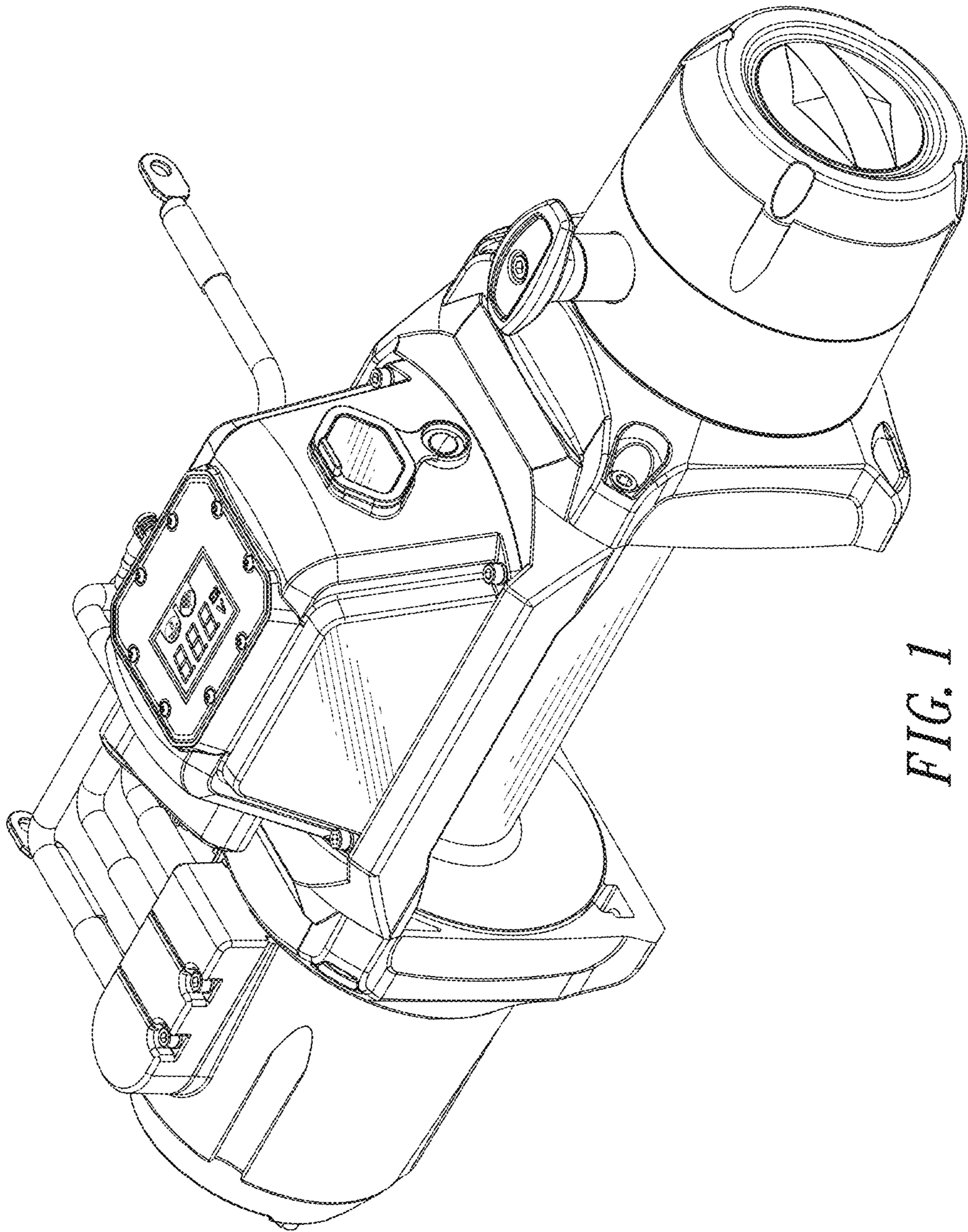


FIG. 1

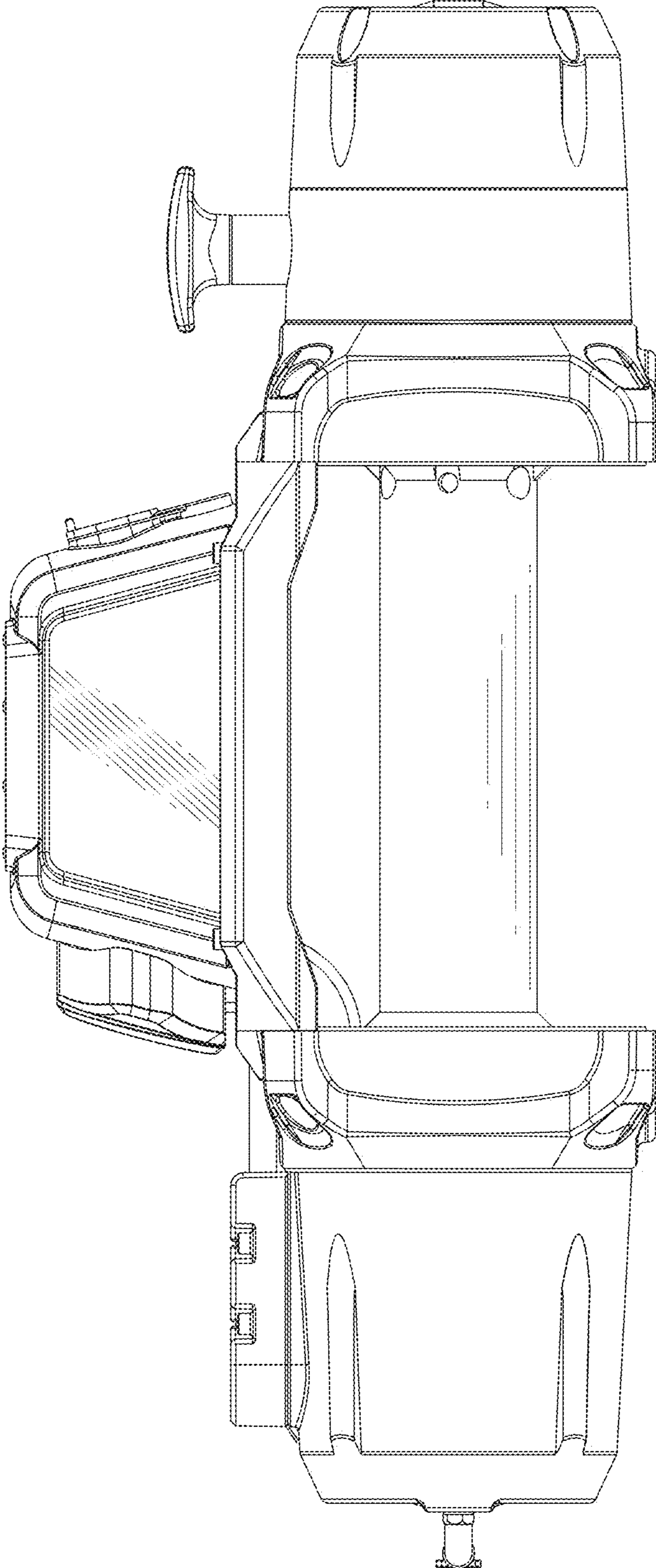


FIG. 2

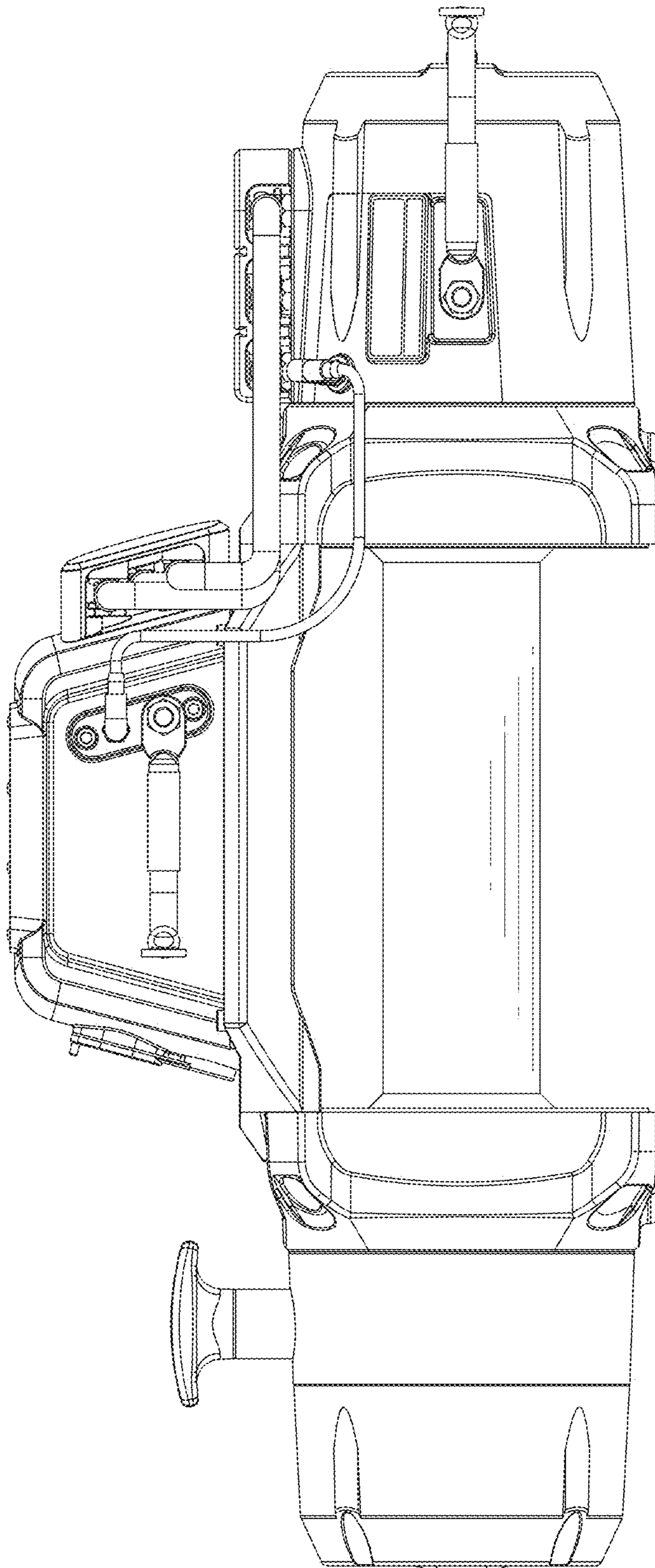


FIG. 3

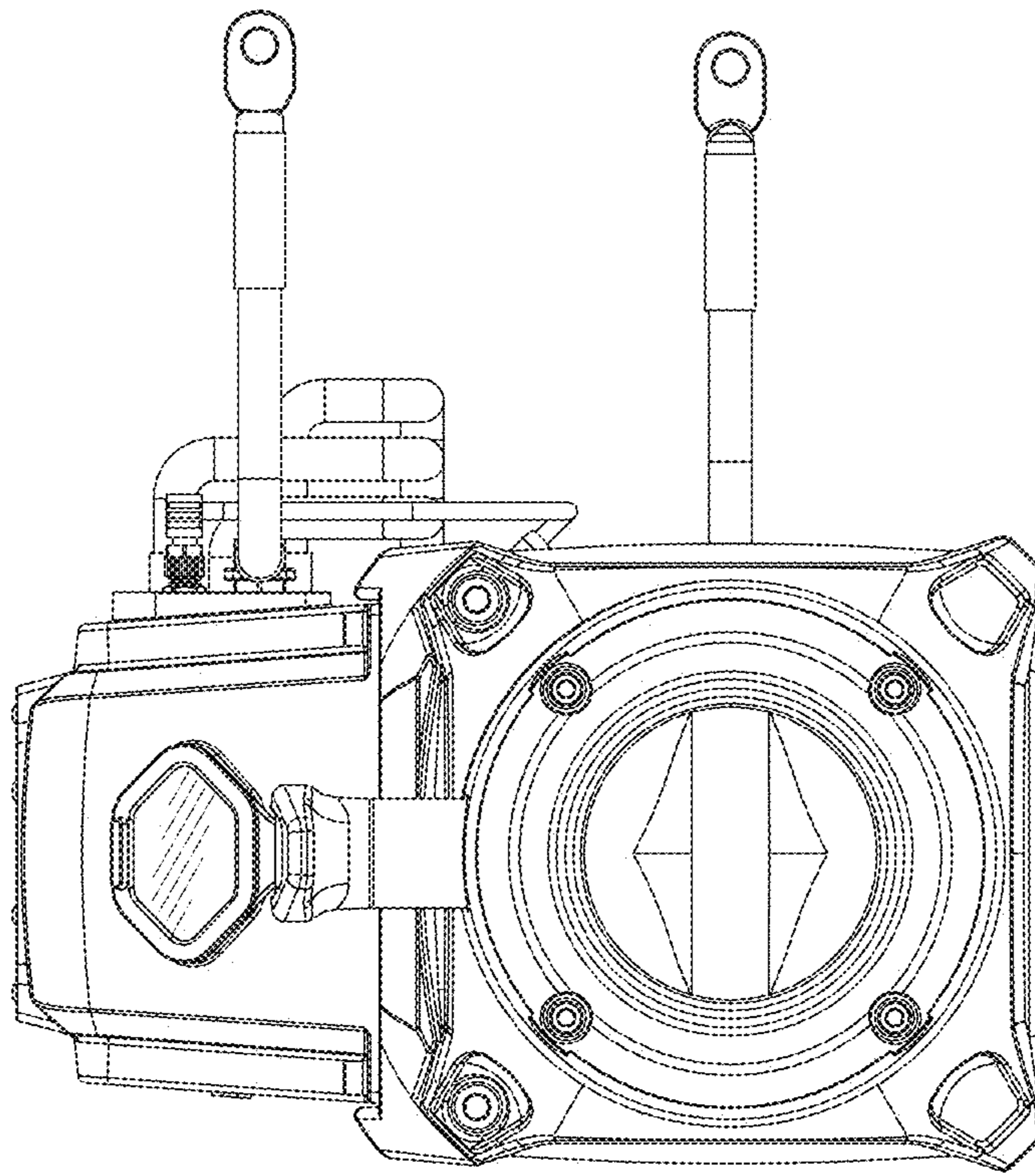


FIG. 5

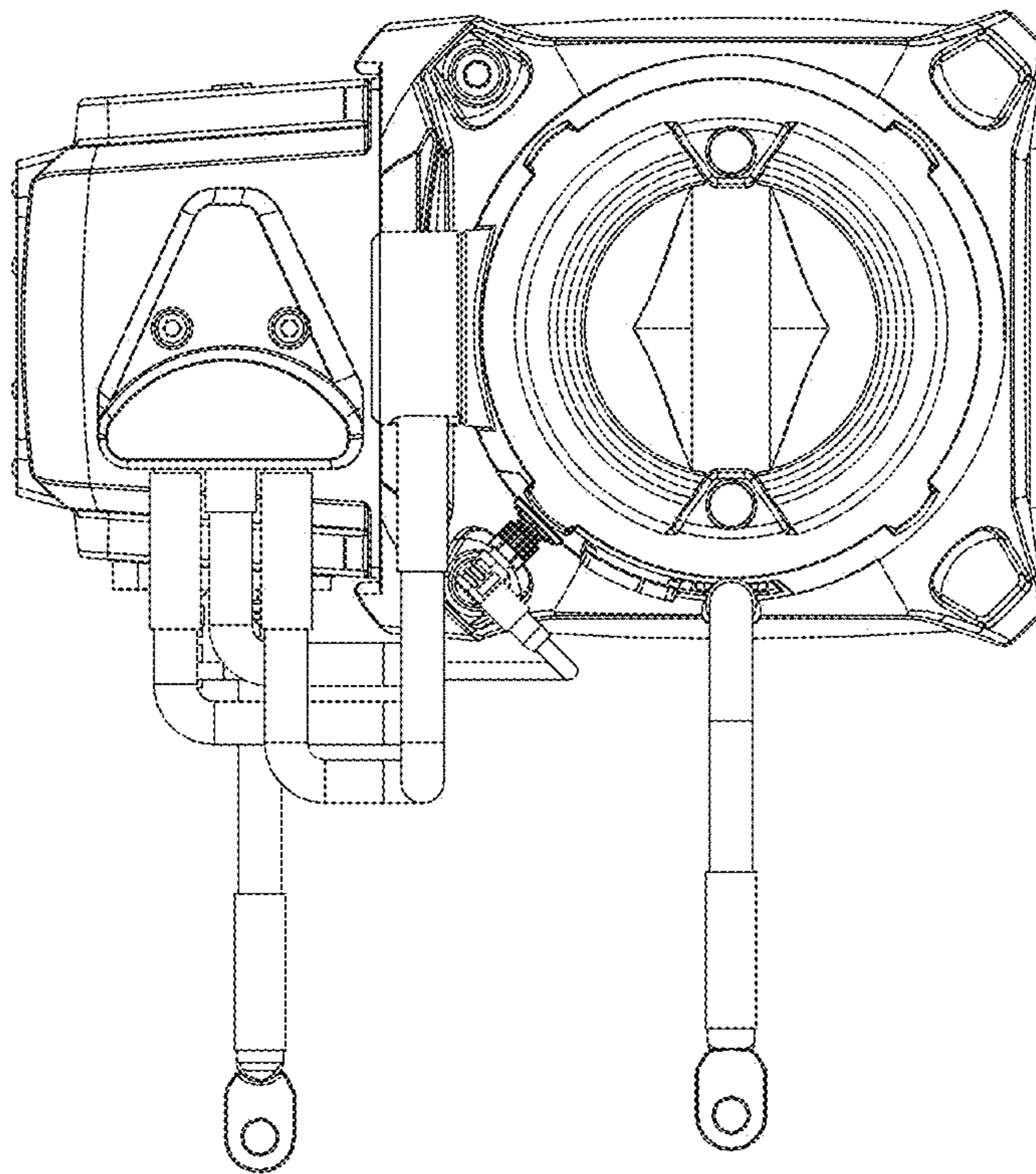


FIG. 4

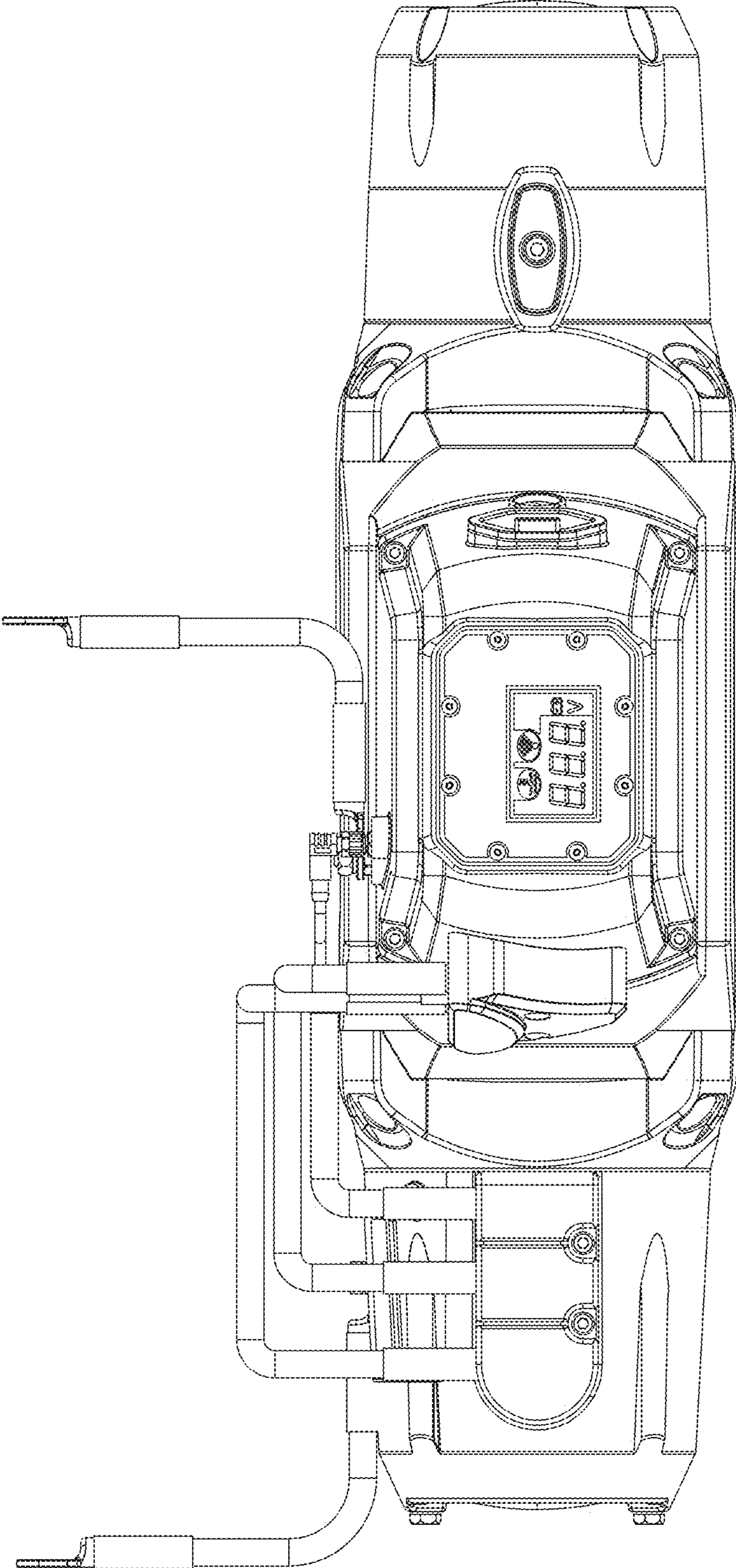


FIG. 6

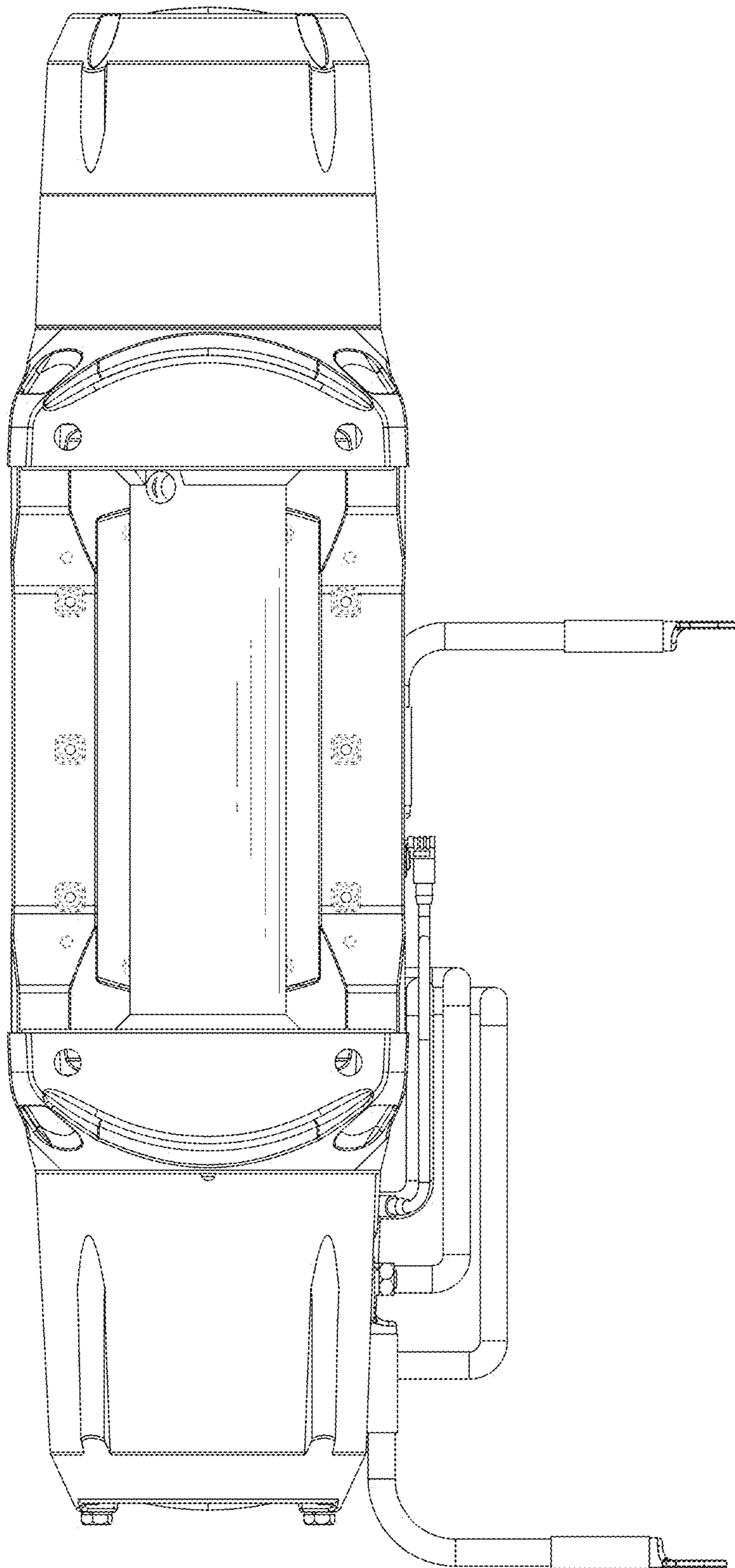


FIG. 7



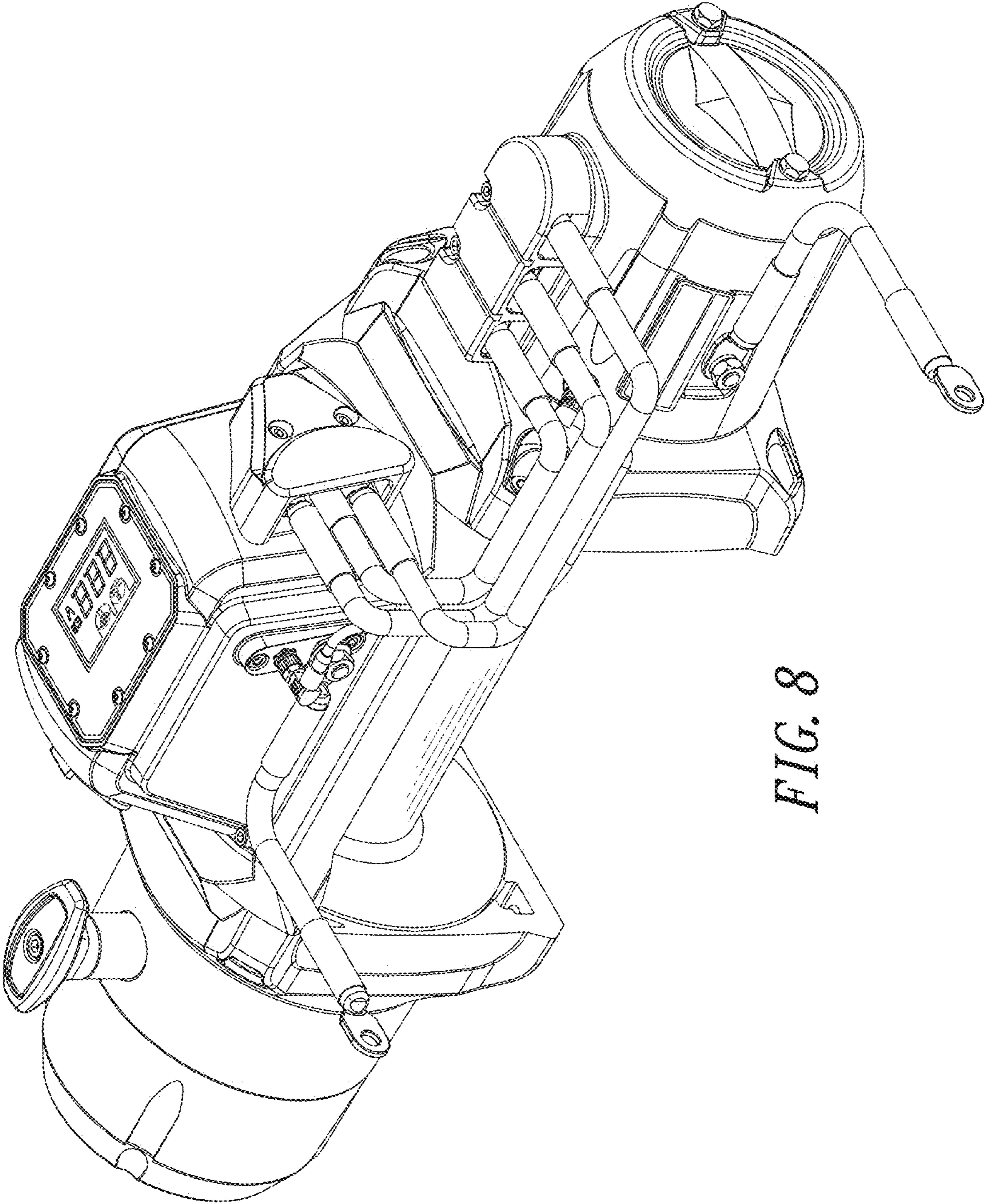


FIG. 8