



US00D975394S

(12) **United States Design Patent**
Sanchez Mora et al.

(10) **Patent No.: US D975,394 S**
(45) **Date of Patent: ** Jan. 10, 2023**

- (54) **LEVELLING WEDGE**
- (71) Applicant: **GERMANS BOADA, S.A.**, Rubi (ES)
- (72) Inventors: **Maria Sanchez Mora**, Rubi (ES);
Salvador Duran Conesa, Rubi (ES);
Juan Antonio Quesada Barbero, Rubi (ES)
- (73) Assignee: **GERMANS BOADA, S.A.**, Rubi (ES)
- (**) Term: **15 Years**
- (21) Appl. No.: **29/772,193**
- (22) Filed: **Feb. 26, 2021**

(30) **Foreign Application Priority Data**

Feb. 4, 2021 (EM) 008421127-0001

- (51) **LOC (14) Cl.** **34-32**
- (52) **U.S. Cl.**
USPC **D34/32; D8/105; D10/69**
- (58) **Field of Classification Search**
USPC **D8/105; D10/69; D34/32**
CPC . **B60T 3/00; B66F 7/243; E04F 21/22; F16M 7/00**
See application file for complete search history.

(56) **References Cited**

U.S. PATENT DOCUMENTS

- 4,776,548 A * 10/1988 Bezenek F16M 7/00
D34/28
- 5,249,767 A * 10/1993 Mellen A47B 91/16
D8/402

- D593,724 S * 6/2009 Heinz A01B 45/023
D34/32
- D734,681 S * 7/2015 Milbank D10/69
- 2014/0116041 A1* 5/2014 Hall A01B 45/023
60/420

* cited by examiner

Primary Examiner — Antoine Duval Davis

(74) *Attorney, Agent, or Firm* — Hodgson Russ LLP

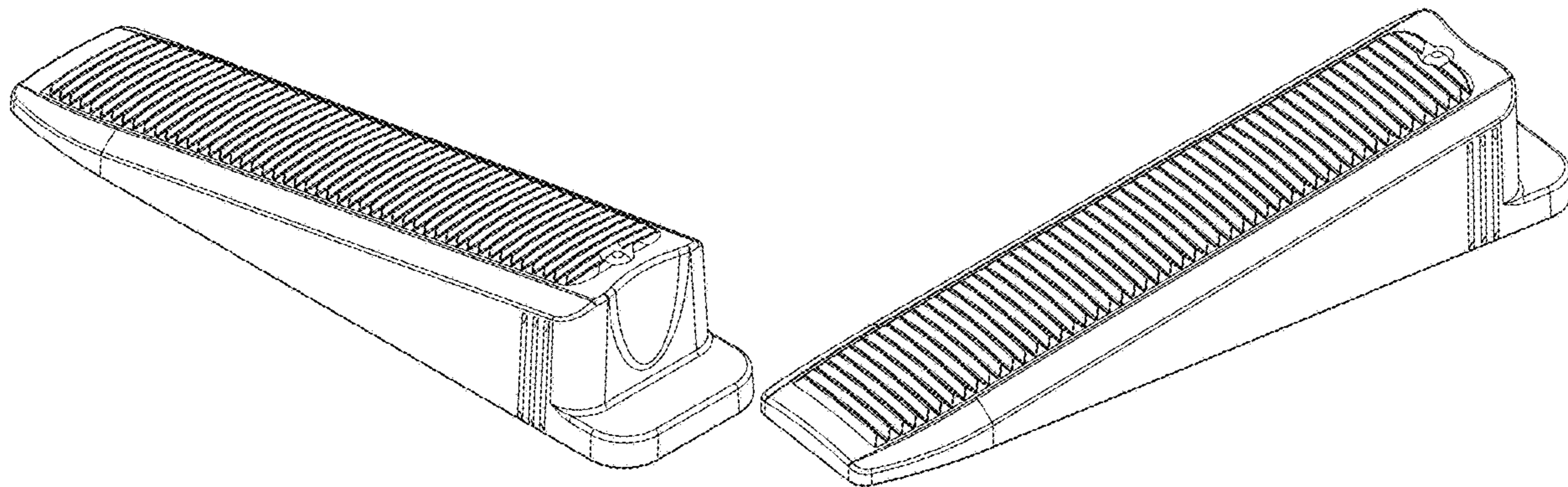
(57) **CLAIM**

The ornamental design for a levelling wedge, as shown and described.

DESCRIPTION

FIG. 1 is a rear-right-top perspective view of a levelling wedge, showing our new design;
 FIG. 2 is front-right-top perspective thereof;
 FIG. 3 is right side elevation view thereof;
 FIG. 4 is a left side elevation view thereof;
 FIG. 5 is top plan elevation view thereof;
 FIG. 6 is a bottom plan view thereof;
 FIG. 7 is a rear elevation view thereof; and,
 FIG. 8 is a front elevation view thereof.

1 Claim, 3 Drawing Sheets



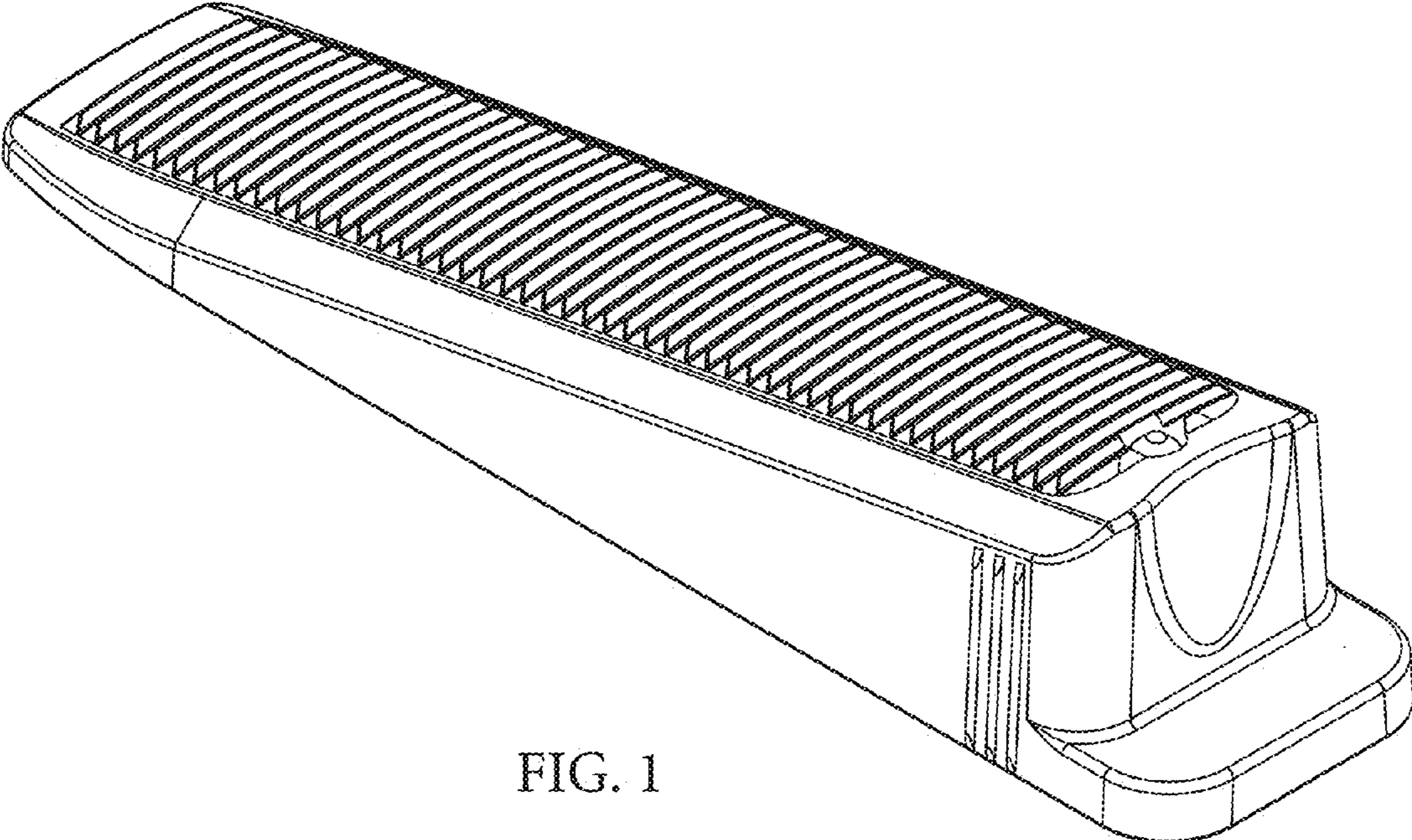


FIG. 1

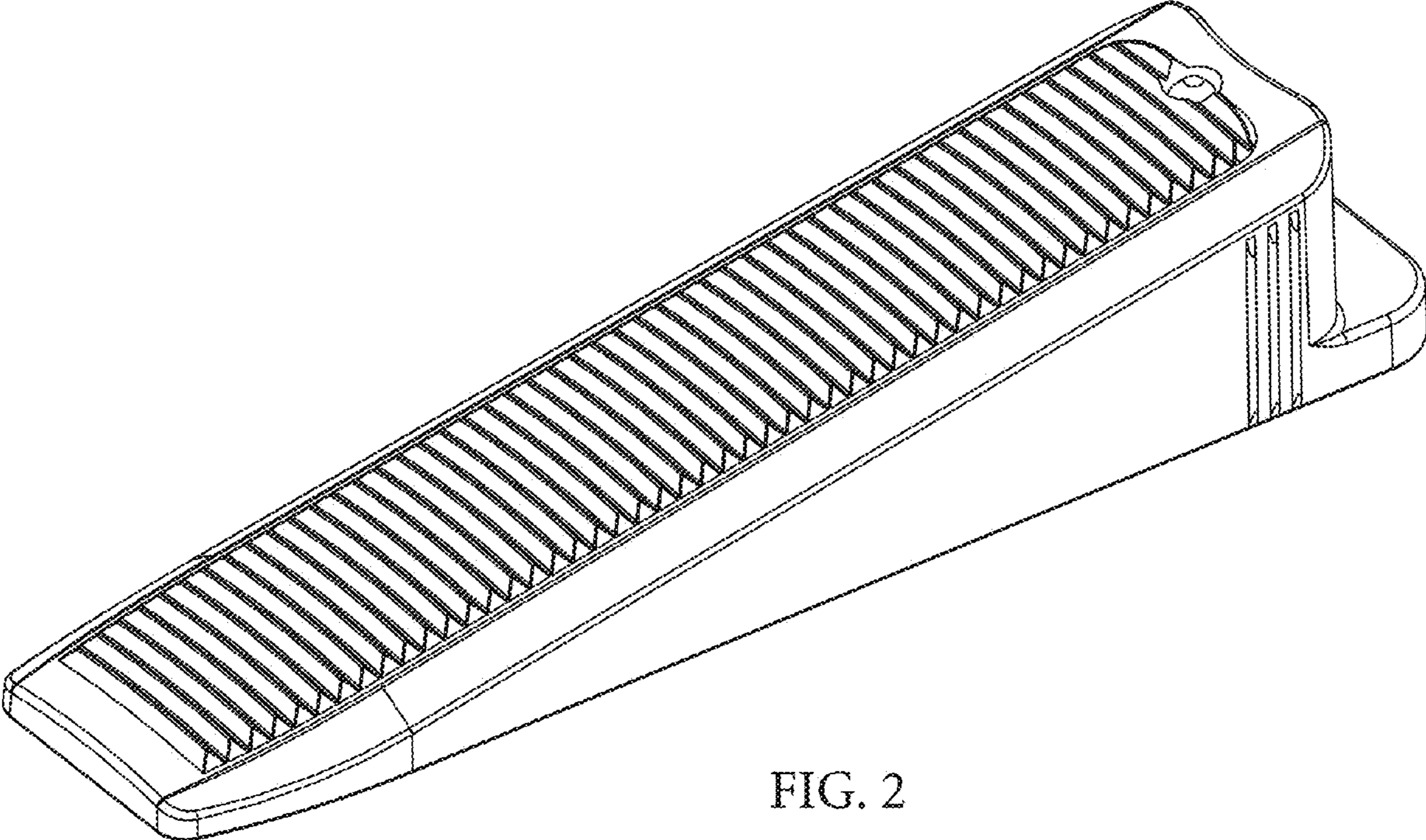


FIG. 2

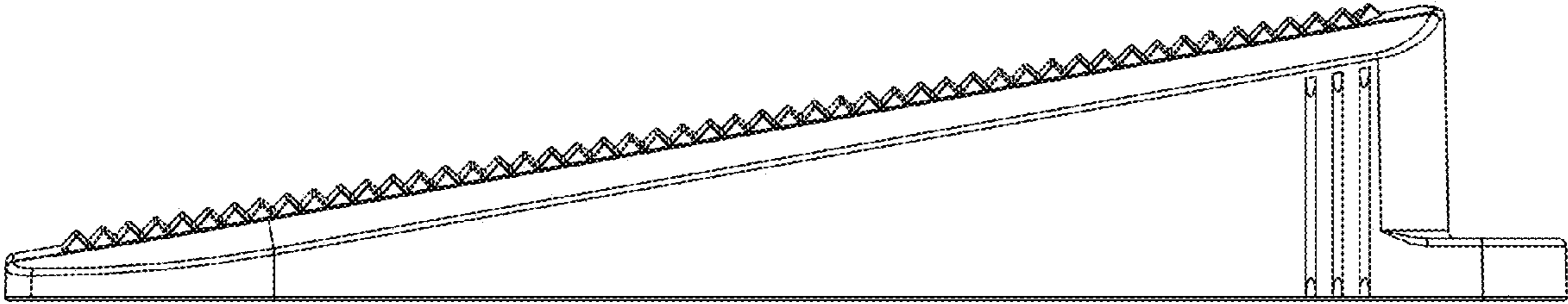


FIG. 3

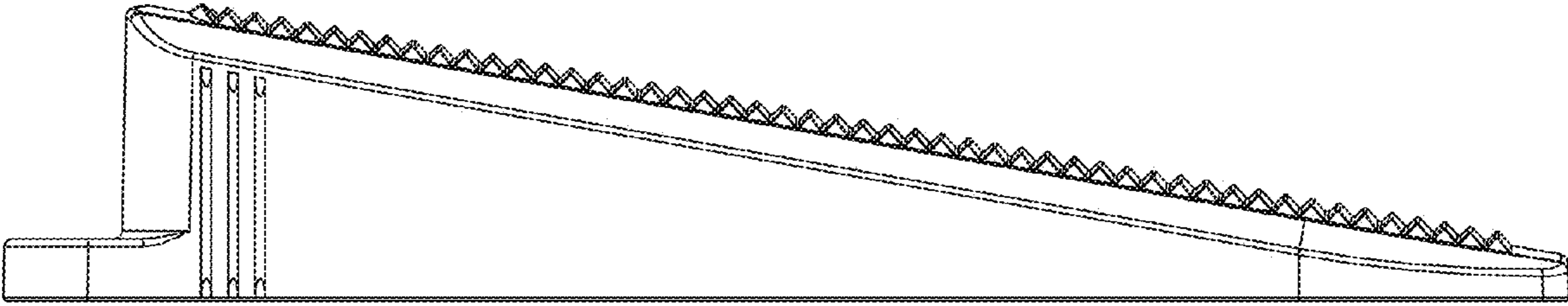


FIG. 4

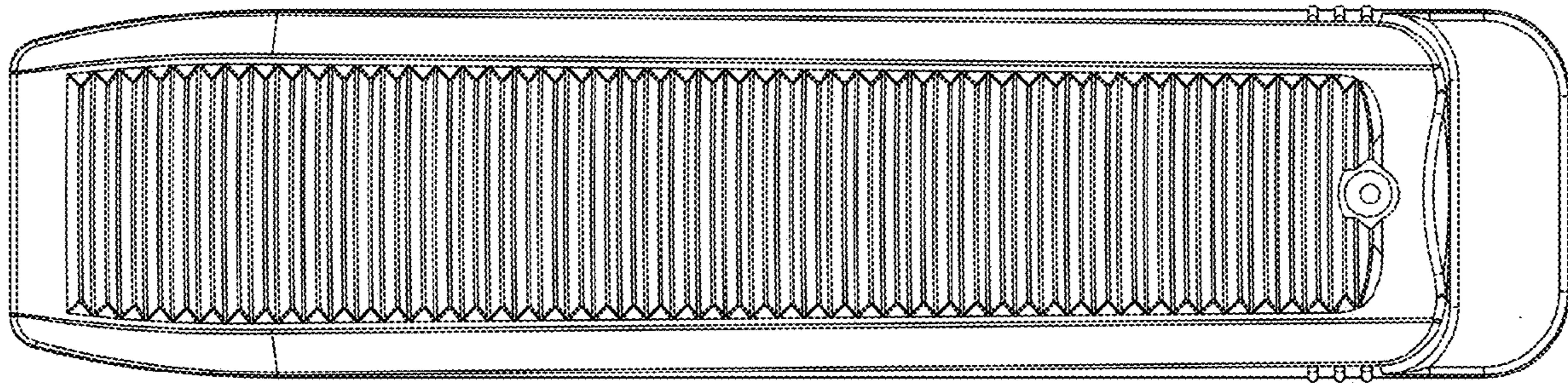


FIG. 5

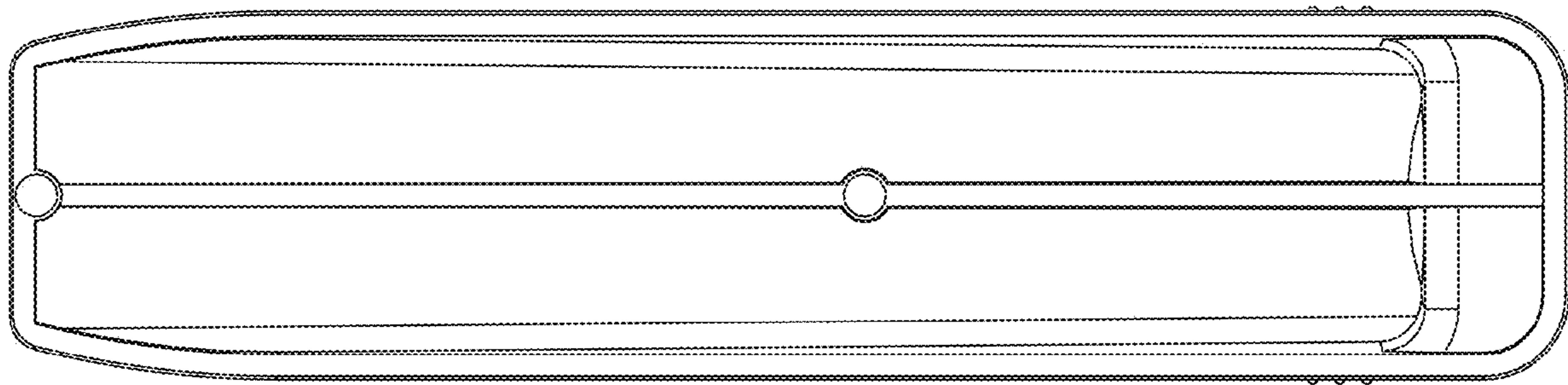


FIG. 6

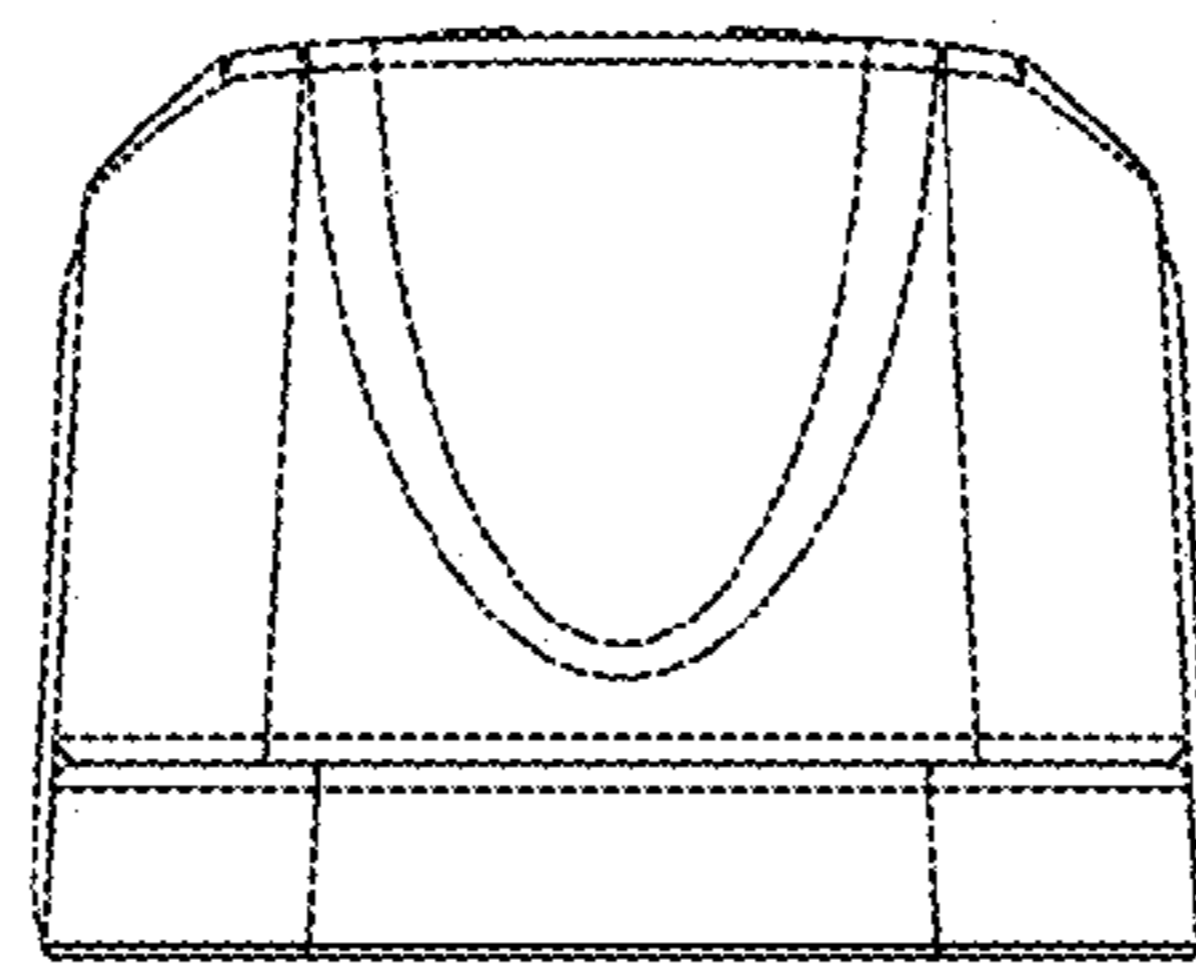


FIG. 7

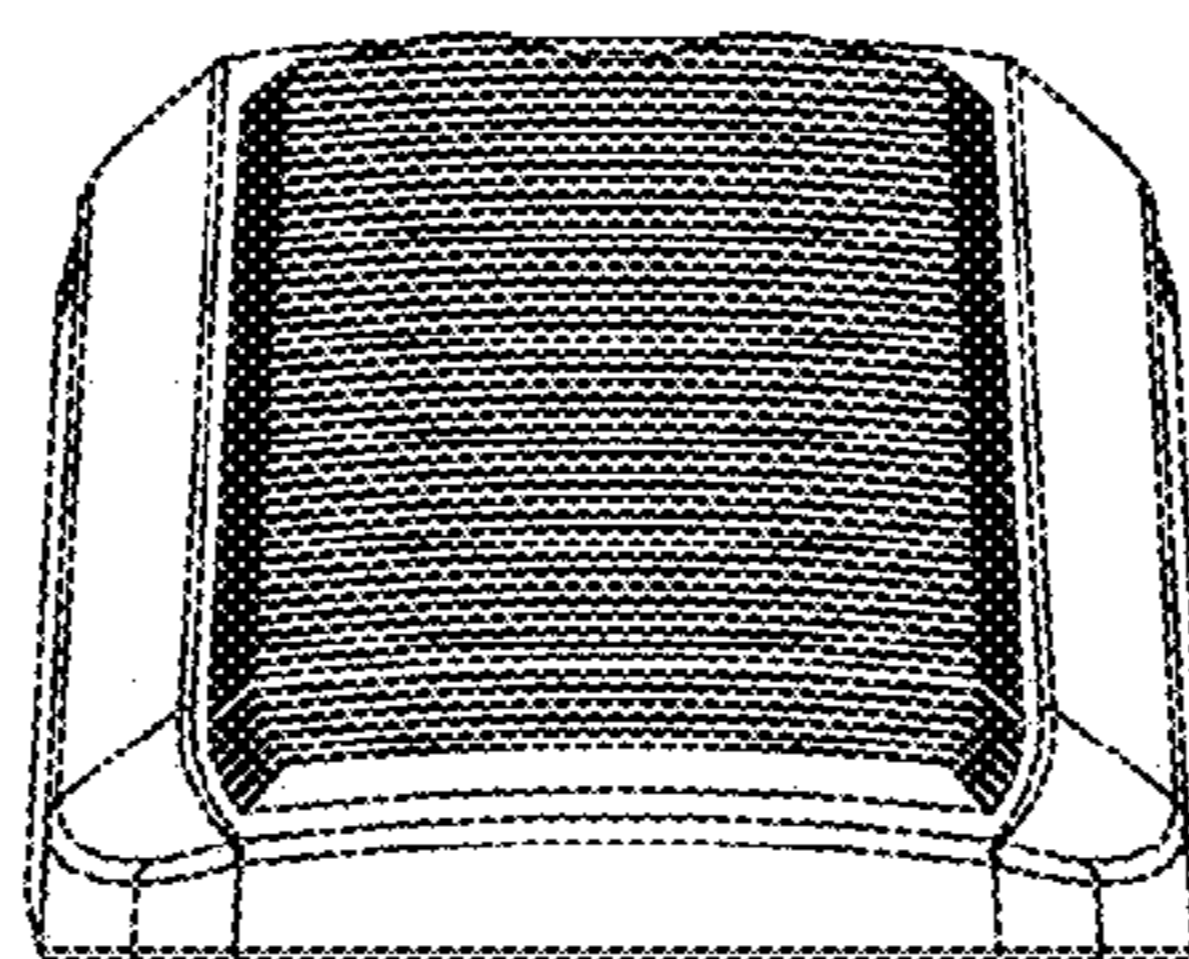


FIG. 8