

US00D975393S

(12) **United States Design Patent**
Johnson

(10) **Patent No.:** **US D975,393 S**
(45) **Date of Patent:** **** Jan. 10, 2023**

(54) **PAINT STATION**

(71) Applicant: **Innovative Tools and Technologies Incorporated**, Centerville, MN (US)

(72) Inventor: **Bryan T. Johnson**, Centerville, MN (US)

(73) Assignee: **Innovative Tools and Technologies Incorporated**, Centerville, MN (US)

(**) Term: **15 Years**

(21) Appl. No.: **29/807,213**

(22) Filed: **Sep. 9, 2021**

Related U.S. Application Data

(62) Division of application No. 29/711,235, filed on Oct. 29, 2019, now Pat. No. Des. 933,328.

(51) **LOC (14) Cl.** **12-02**

(52) **U.S. Cl.**
USPC **D34/12**

(58) **Field of Classification Search**
USPC D34/12
CPC B62B 3/1444; B62B 3/1416; B62B 3/14;
B62B 3/00; B62B 3/002; B62B 2202/66;
A47B 47/024; A47B 47/028
See application file for complete search history.

(56) **References Cited**

U.S. PATENT DOCUMENTS

D182,483 S	4/1958	Skinner
D183,886 S	11/1958	Iverson
D184,785 S	3/1959	Wann
D491,330 S	6/2004	Violo
D494,777 S	8/2004	Walk
D526,105 S	8/2006	Van Es
D678,640 S	3/2013	Van Es
D679,469 S	4/2013	Van Es

D679,470 S	4/2013	Van Es	
D707,065 S	6/2014	Fisher	
10,477,992 B1	11/2019	Merschman	
D933,328 S *	10/2021	Johnson D34/12
2011/0180501 A1	7/2011	Lin	

OTHER PUBLICATIONS

Innovativetools.com, Aug. 25, 2022, innovative paint station, <https://www.innovativetools.com/product/innovative-paint-station/> (Year: 2022).*

(Continued)

Primary Examiner — Cynthia Ramirez

(74) *Attorney, Agent, or Firm* — Muetting Raasch Group

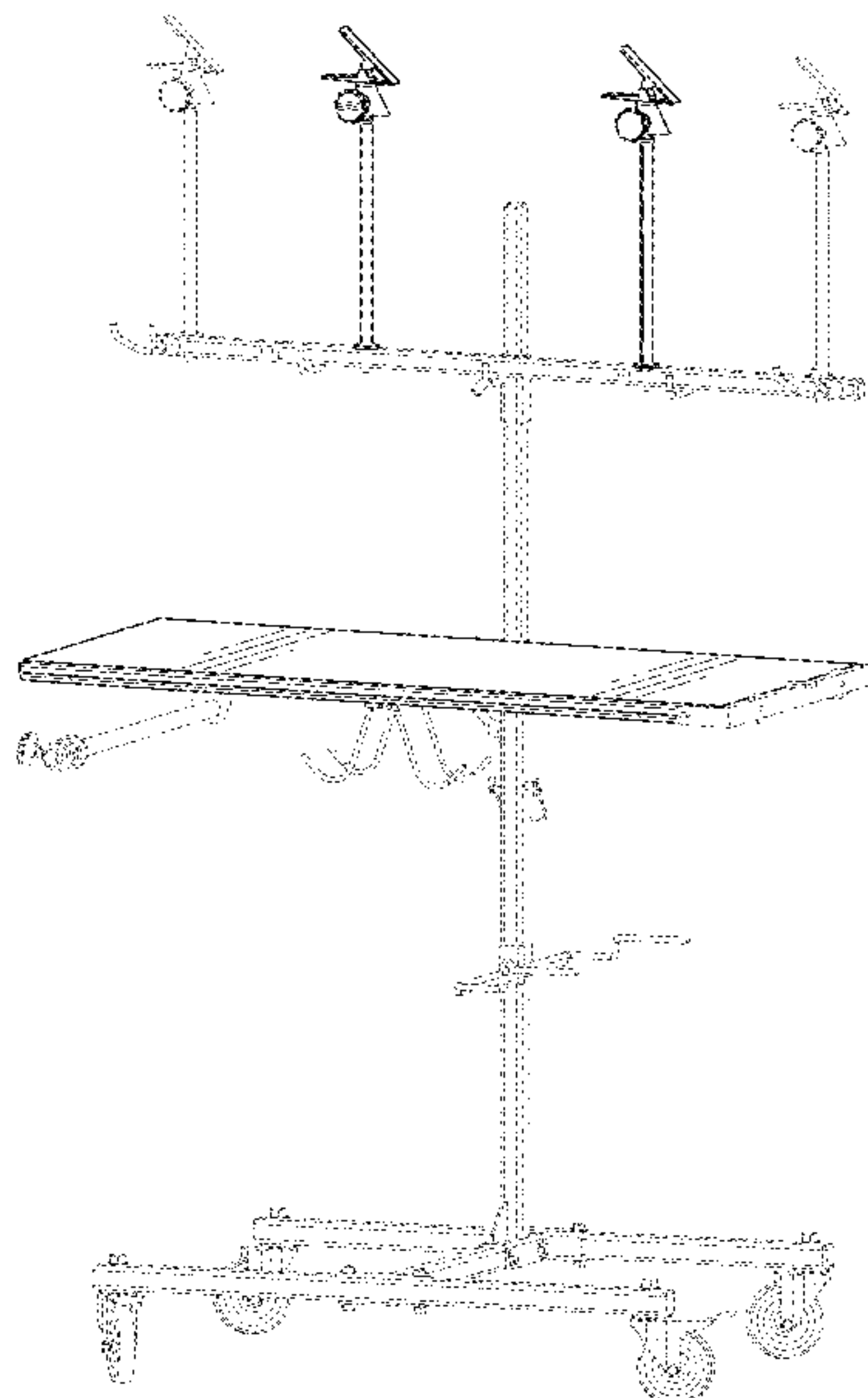
(57) **CLAIM**

The ornamental design for a paint station, as shown and described.

DESCRIPTION

FIG. 1 is a front left perspective view of a paint station in accordance with the claimed design;
FIG. 2 is a front elevation view of the design of FIG. 1;
FIG. 3 is a rear elevation view of the design of FIG. 1;
FIG. 4 is a right side elevation view of the design of FIG. 1;
FIG. 5 is a left side elevation view of the design of FIG. 1;
and,
FIG. 6 is a top plan view of the design of FIG. 1.
The broken lines in the figures show portions of the paint station which form no part of the claimed design.
The dash-dash broken lines in the figures (e.g., including at least the fasteners and bolts, as well as the openings for receiving such fasteners and bolts) represent unclaimed subject matter and form no part of the claimed design.
The labels used herein to describe orientation (e.g., front, rear, left, right) are merely for reference and are not intended to limit the interpretation of the design.

1 Claim, 6 Drawing Sheets



(56)

References Cited

OTHER PUBLICATIONS

Innovative Tools and Technologies, Mar. 9, 2021, innovative patent station, <https://www.innovativetools.com/product/innovative-paint-station/> (Year: 2021).

* cited by examiner

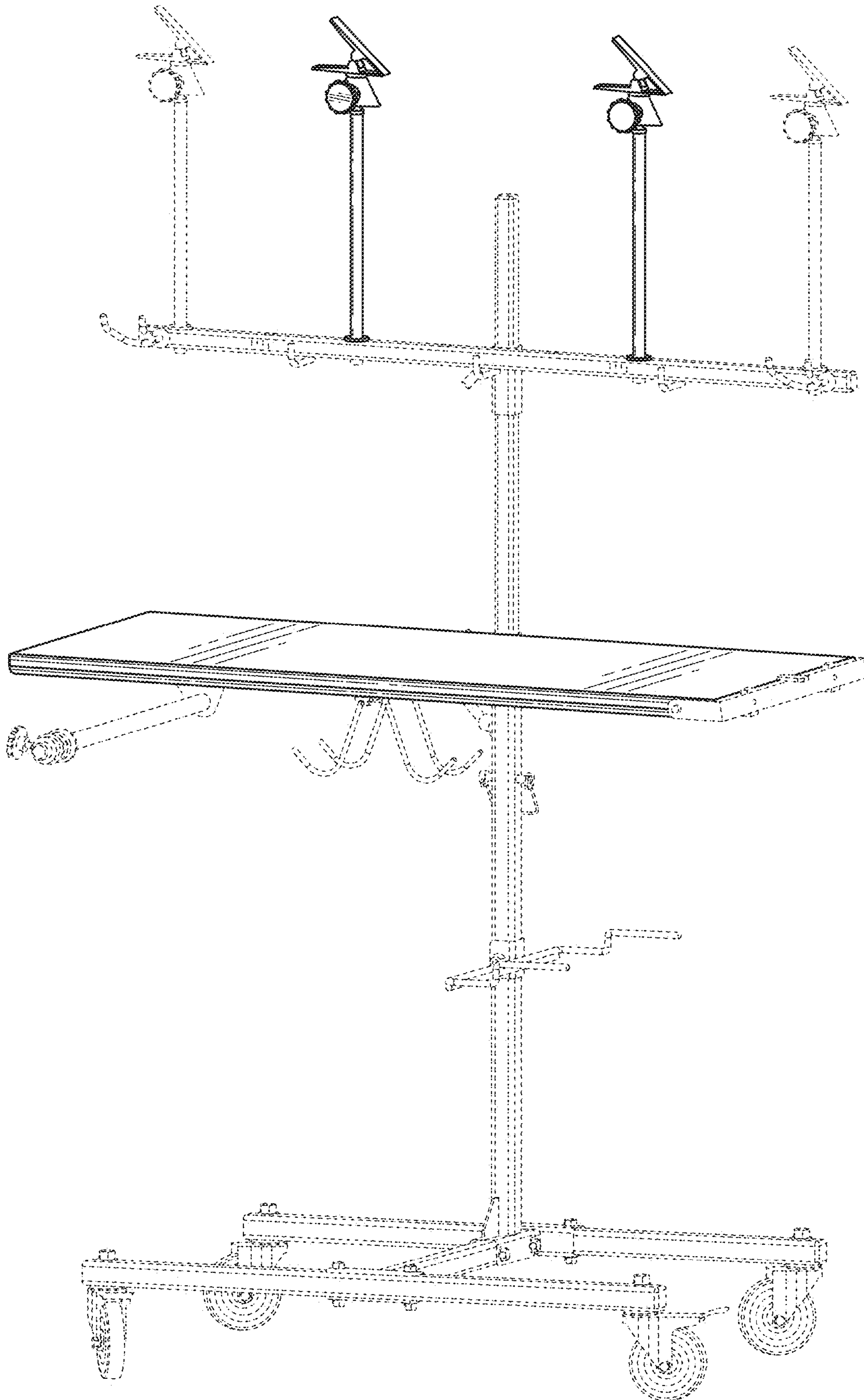


FIG. 1

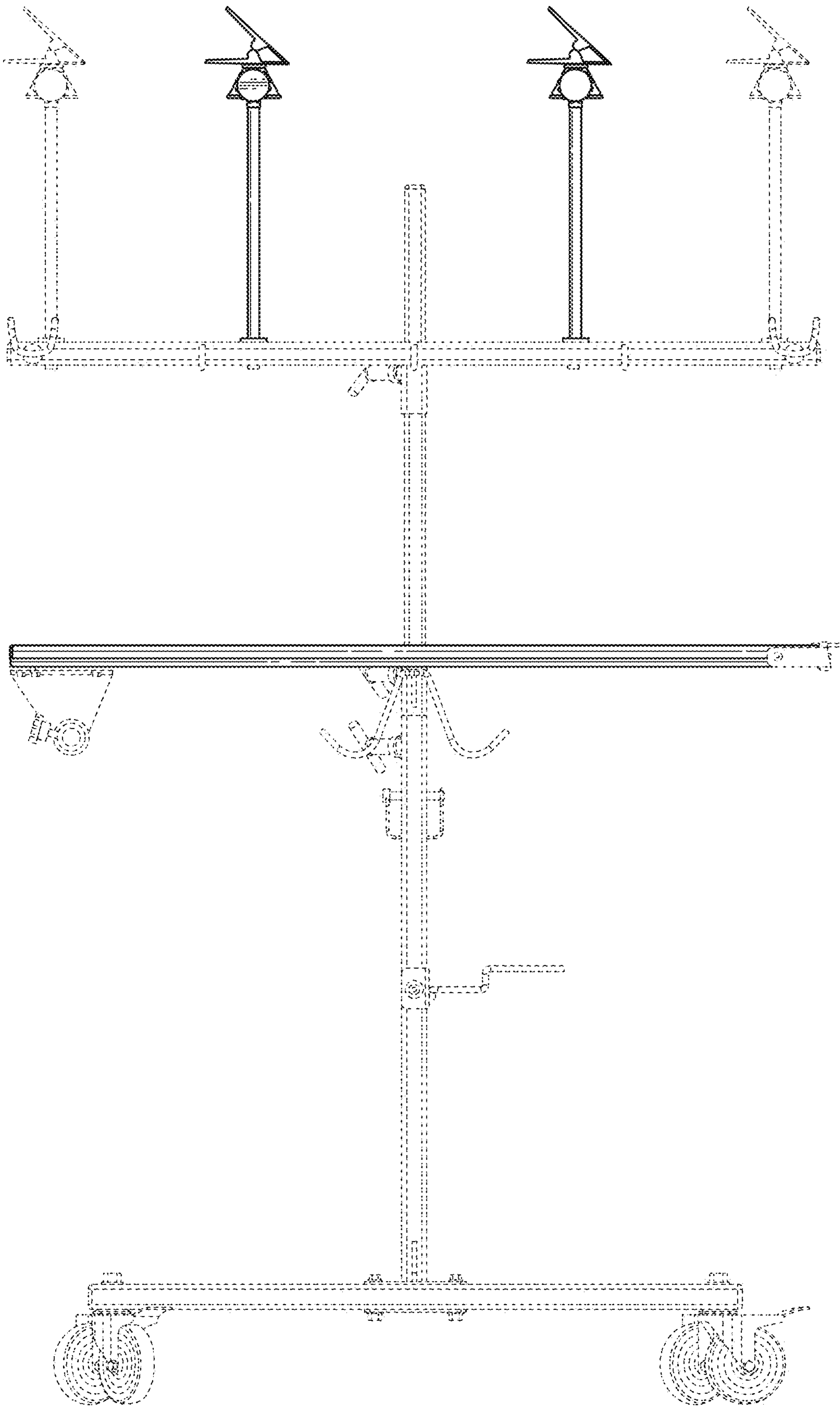


FIG. 2

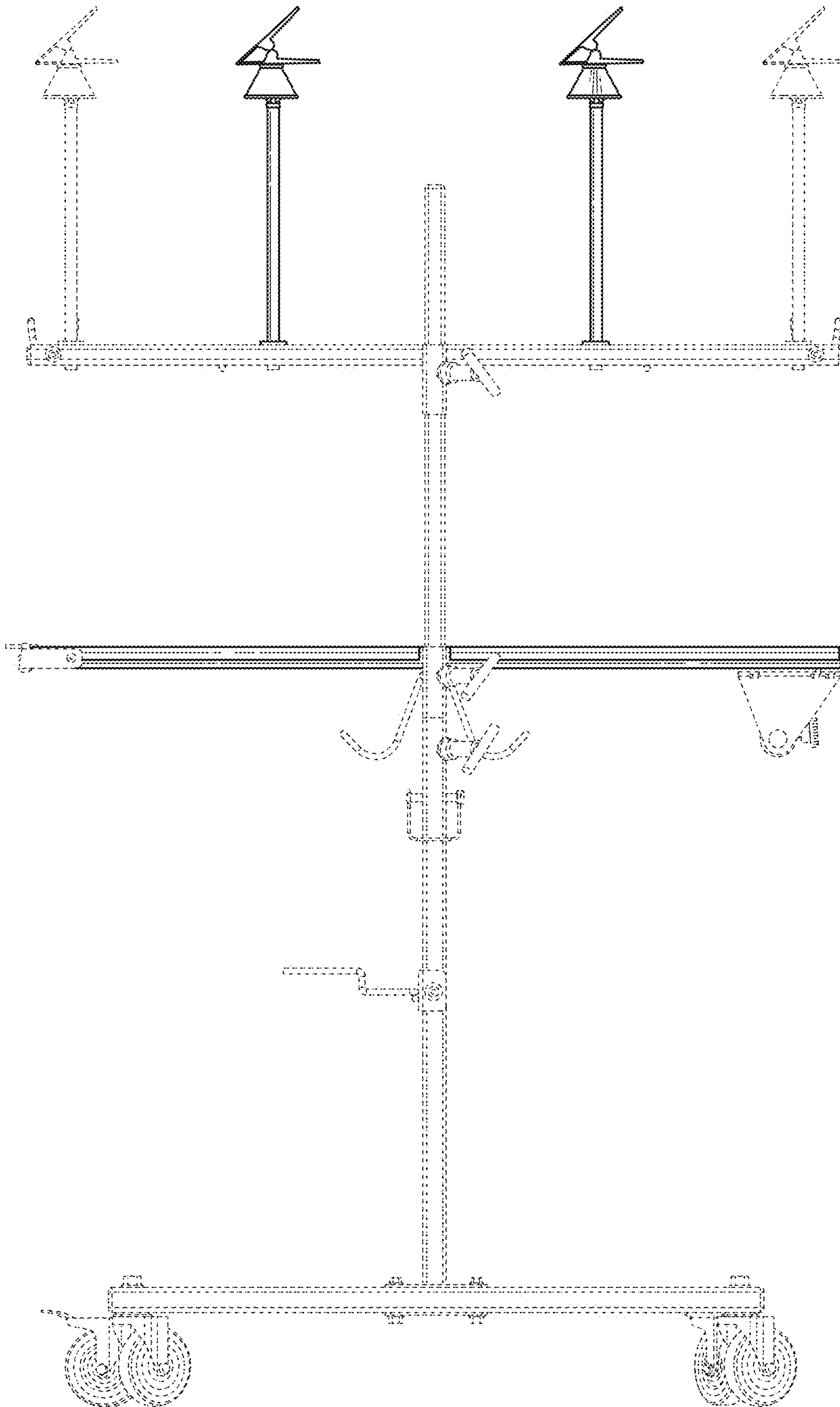


FIG. 3

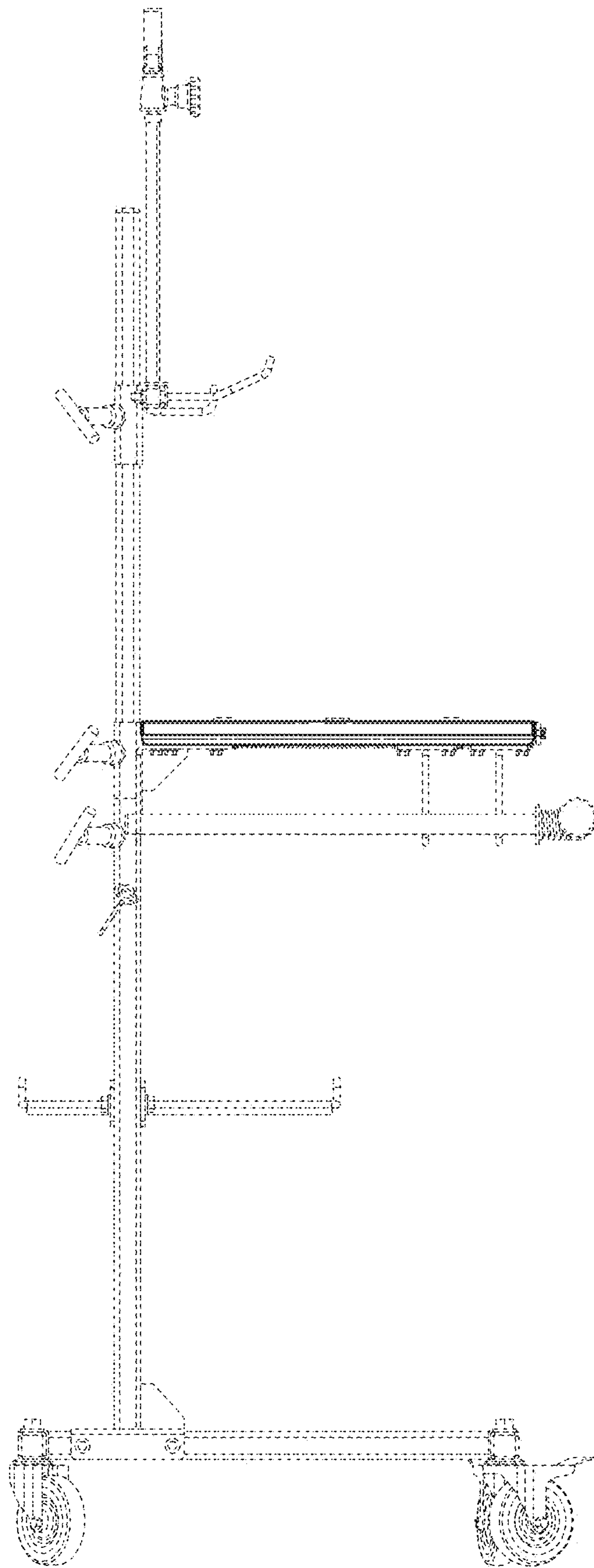


FIG. 4

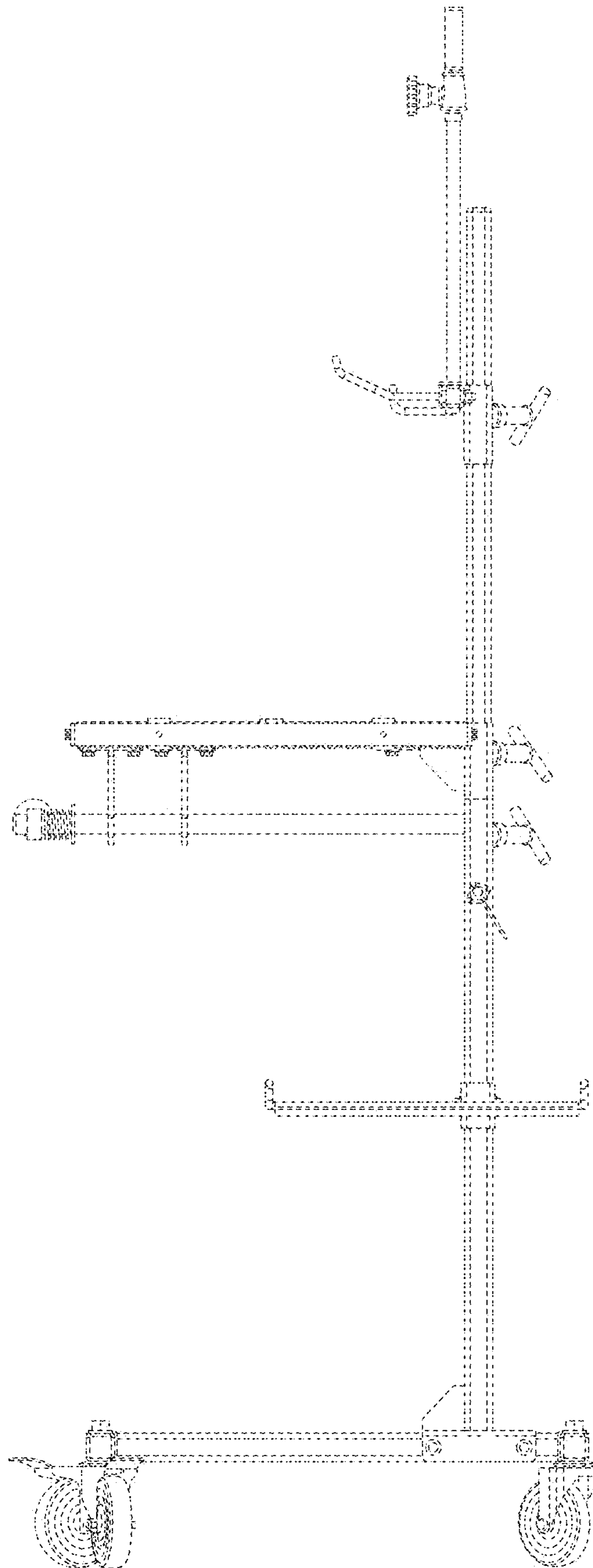


FIG. 5

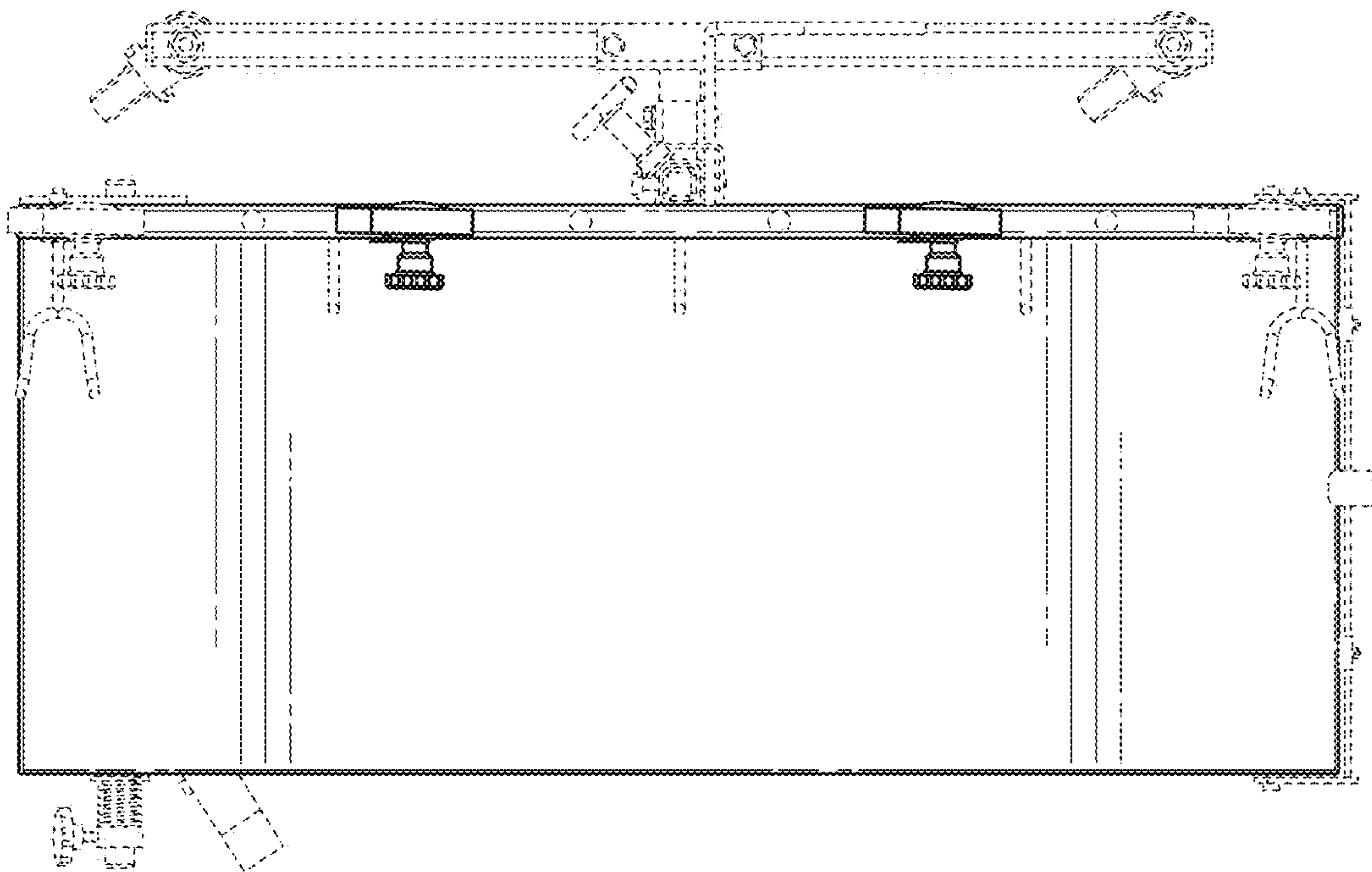


FIG. 6