



US00D975392S

(12) **United States Design Patent**  
**King**

(10) **Patent No.:** **US D975,392 S**  
(45) **Date of Patent:** **\*\* Jan. 10, 2023**

- (54) **TRASHCAN**
- (71) Applicant: **Tammi Shantal King**, Baytown, TX  
(US)
- (72) Inventor: **Tammi Shantal King**, Baytown, TX  
(US)
- (\*\*) Term: **15 Years**
- (21) Appl. No.: **29/822,883**
- (22) Filed: **Jan. 12, 2022**

D554,823 S *	11/2007	Jones	.....	B65F 1/06
				D34/7
D564,722 S *	3/2008	Hogarth	.....	D34/5
D564,723 S *	3/2008	Yang	.....	D34/9
D641,530 S *	7/2011	Lewis	.....	D34/5
D776,893 S *	1/2017	Stauss	.....	D34/5
D793,643 S *	8/2017	Ramirez	.....	D34/7
10,377,567 B1 *	8/2019	Jones	.....	B65F 1/1615
11,225,376 B1 *	1/2022	King	.....	B65F 1/02
2019/0276197 A1 *	9/2019	Dominguez	.....	B65F 1/14
2021/0395006 A1 *	12/2021	Heaney	.....	B65F 1/163

**FOREIGN PATENT DOCUMENTS**

DE	202019000693 U1 *	4/2019	.....	B65F 1/163
GB	2533716 A *	6/2016	.....	B65F 1/1421

\* cited by examiner

*Primary Examiner* — Cynthia Ramirez  
(74) *Attorney, Agent, or Firm* — Leavitt Eldredge Law Firm

**Related U.S. Application Data**

- (63) Continuation-in-part of application No. 16/523,438, filed on Jul. 26, 2019, now Pat. No. 11,225,376.
- (51) **LOC (14) Cl.** ..... **09-09**
- (52) **U.S. Cl.**  
USPC ..... **D34/5**
- (58) **Field of Classification Search**  
USPC ..... D34/1, 7, 4, 5, 6, 9, 10, 11, 12, 19, 25  
CPC ..... B65F 1/163; B65F 1/08; B65F 1/1607;  
B65F 1/1615; B65F 1/06; B65F 1/062;  
B65F 1/064; B65F 1/02; B65F 1/1452;  
B65F 1/1473; B65F 1/16  
See application file for complete search history.

(57) **CLAIM**

The ornamental design for a trashcan, as shown and described.

**DESCRIPTION**

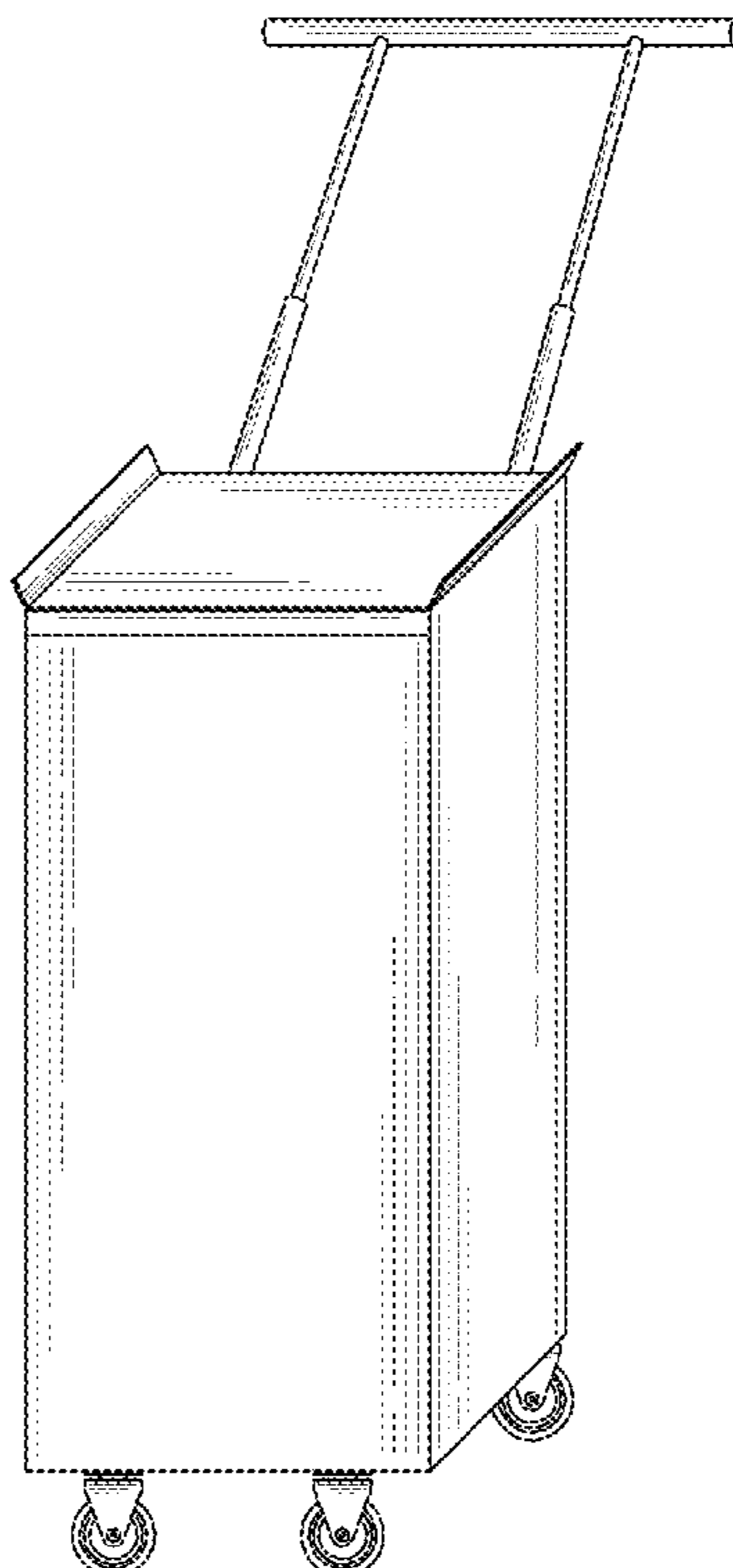
FIG. 1 is an isometric view of a trashcan in accordance with the present design.  
FIG. 2 is a front view of the trashcan.  
FIG. 3 is a back view of the trashcan.  
FIG. 4 is a right side view of the trashcan.  
FIG. 5 is a left side view of the trashcan.  
FIG. 6 is a top view of the trashcan; and,  
FIG. 7 is a bottom view of the trashcan.

(56) **References Cited**

**U.S. PATENT DOCUMENTS**

4,953,744 A *	9/1990	Koyama	.....	B65F 1/06
				220/495.11
D401,727 S *	11/1998	Weideman	.....	D34/25

**1 Claim, 7 Drawing Sheets**



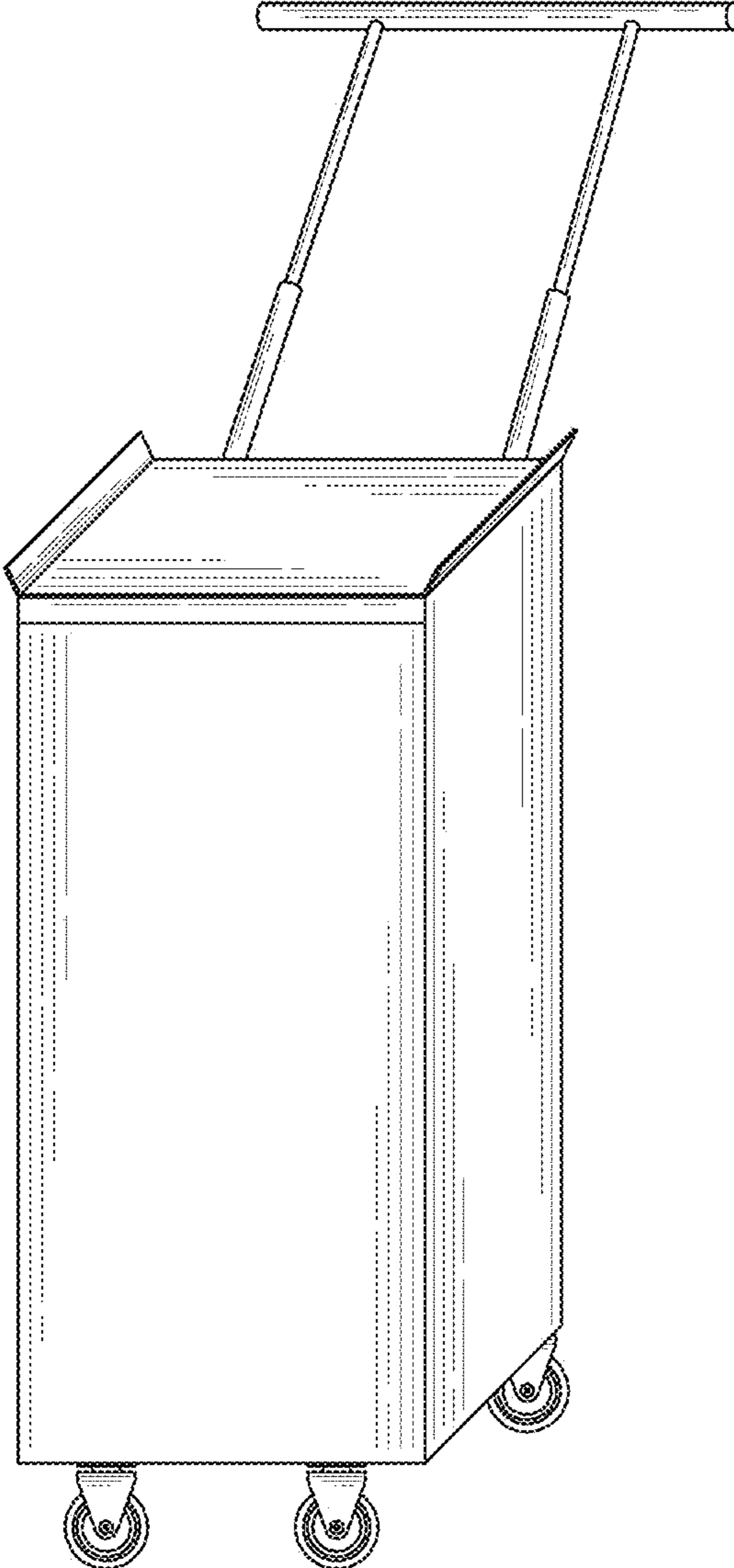


FIG. 1

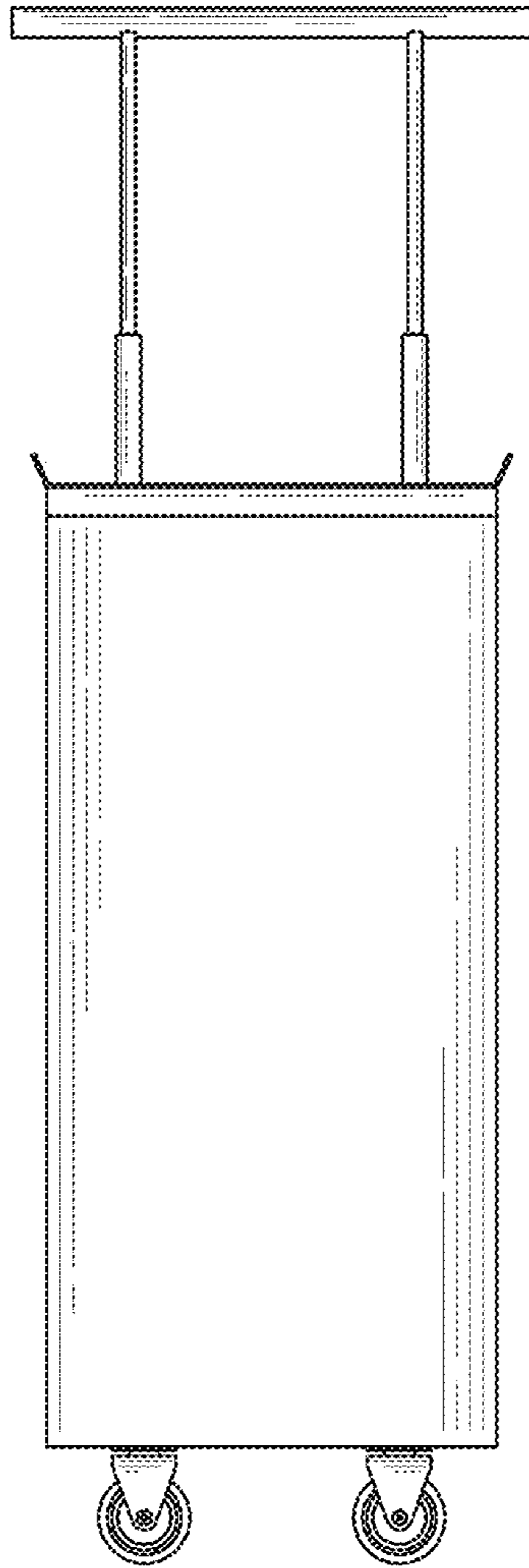


FIG. 2

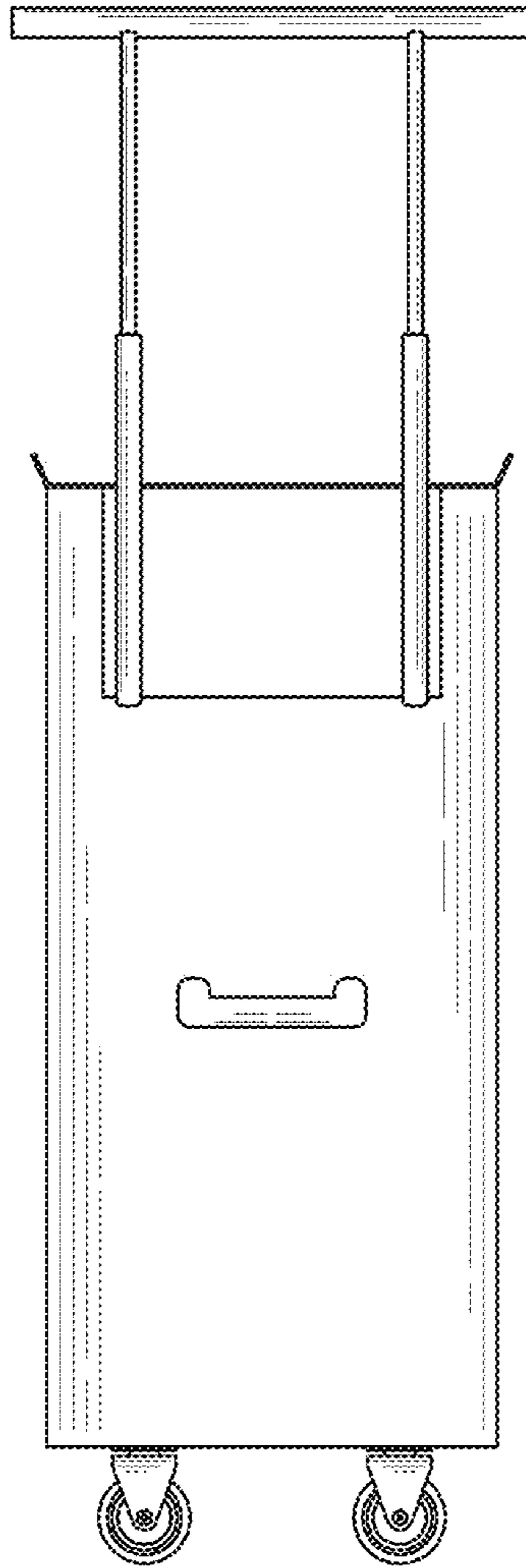


FIG. 3

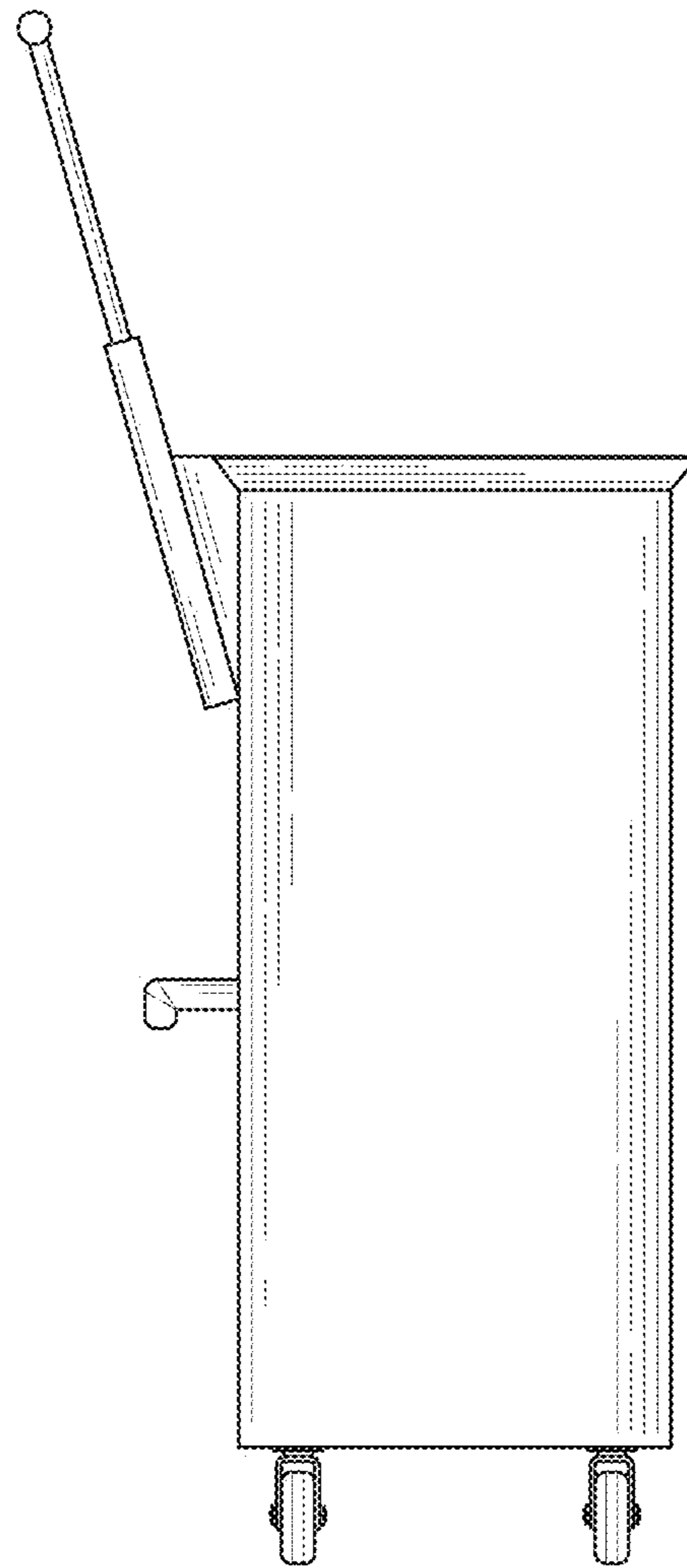


FIG. 4

517

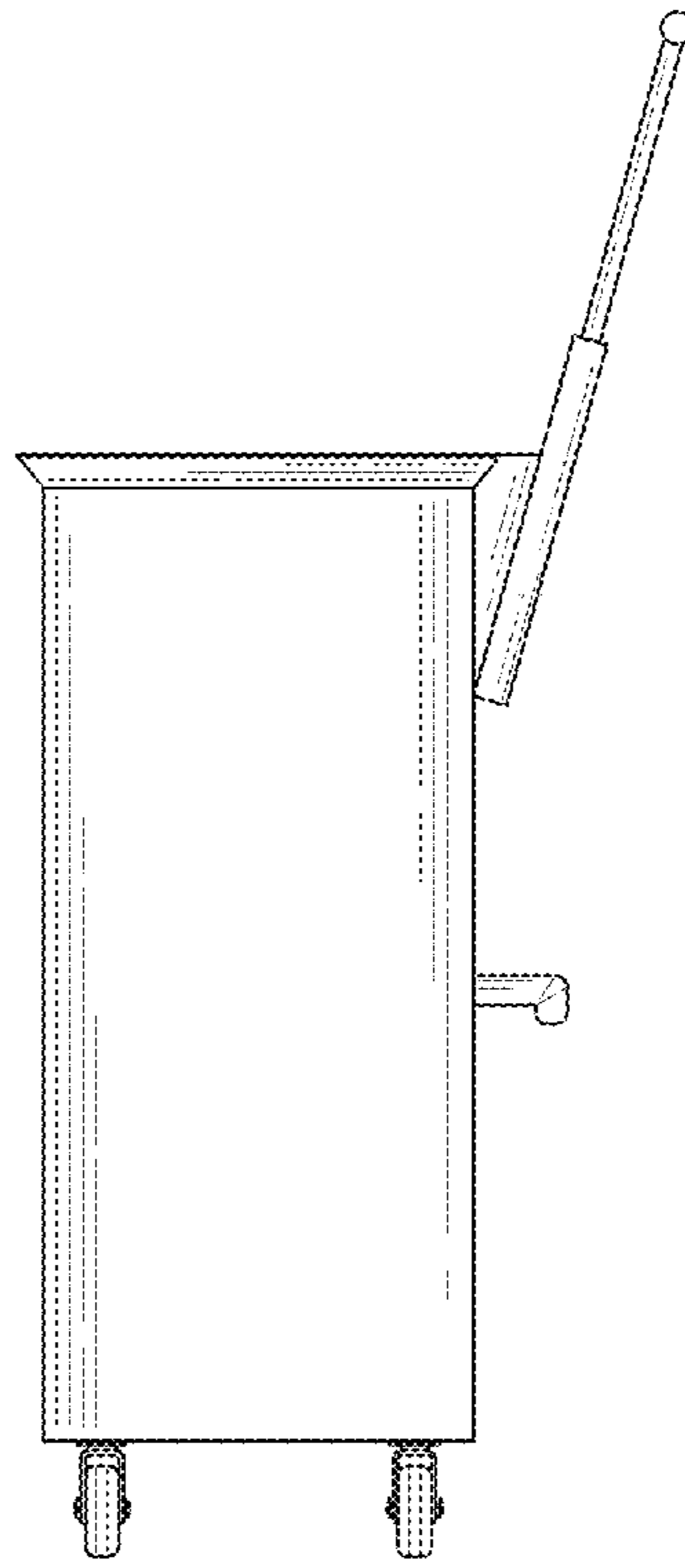


FIG. 5

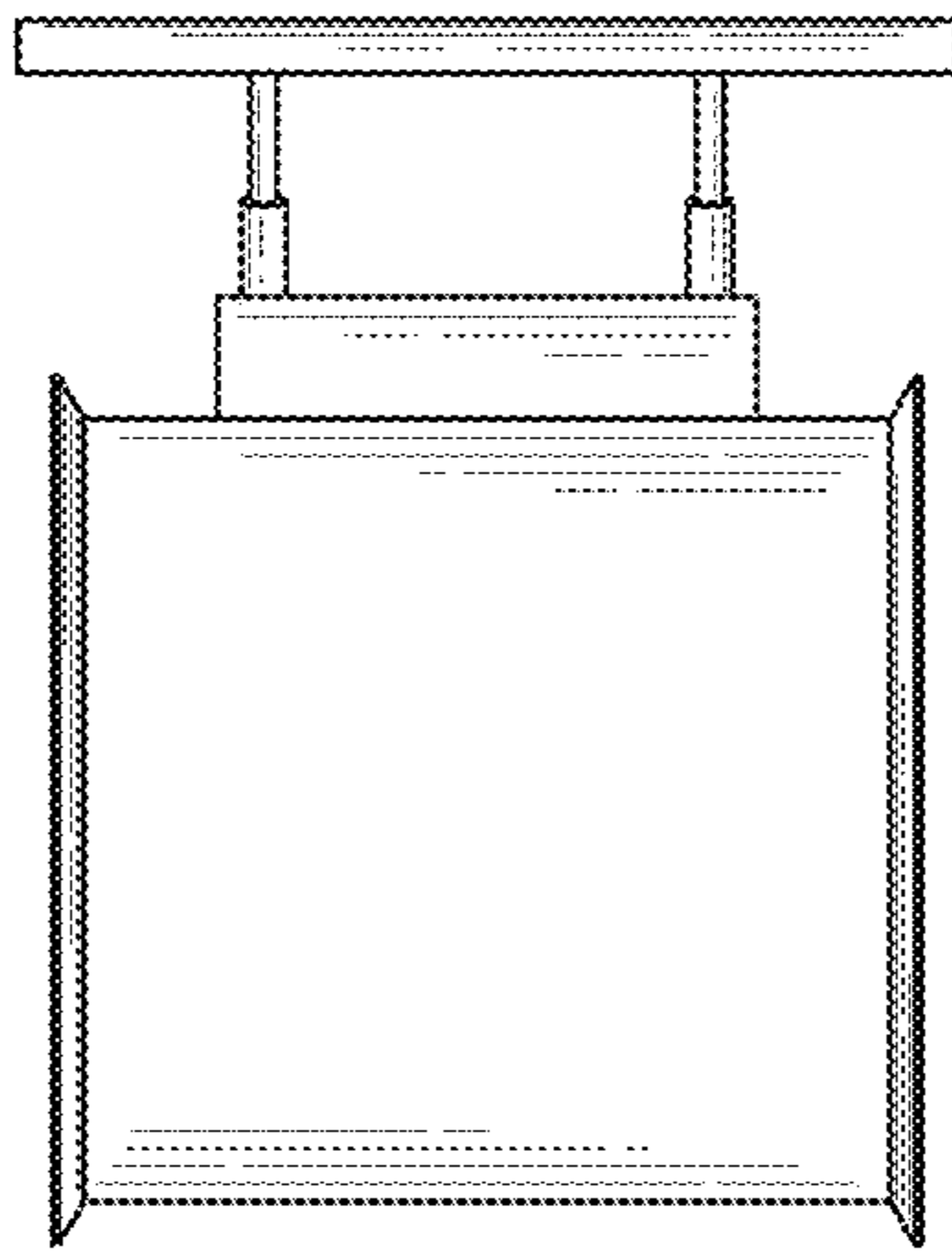


FIG. 6

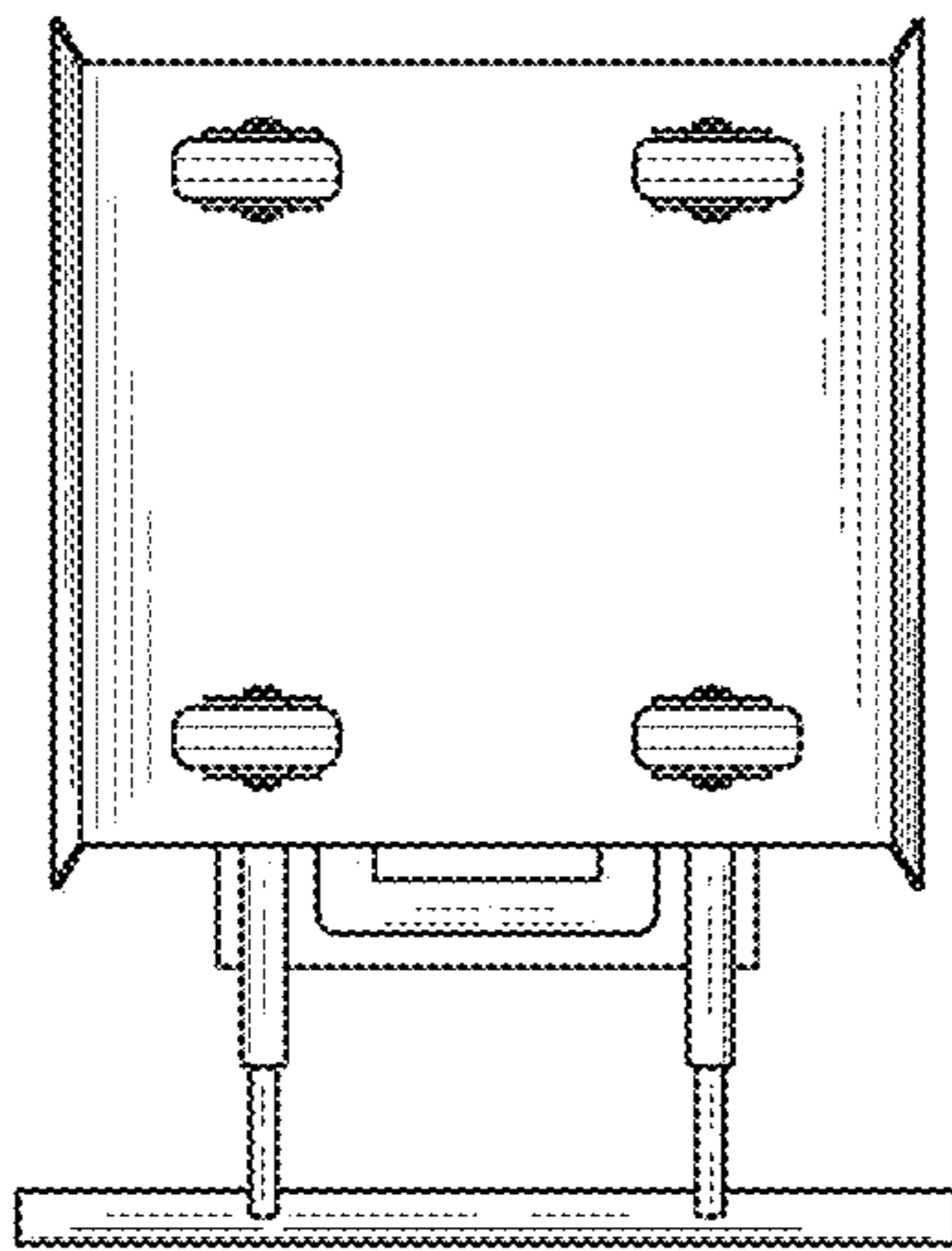


FIG. 7