



US00D975391S

(12) **United States Design Patent** (10) **Patent No.:** **US D975,391 S**
Li (45) **Date of Patent:** **** Jan. 10, 2023**

(54) **VACUUM BAG COVER**

OTHER PUBLICATIONS

(71) Applicant: **SHENZHEN KUAJINGJIANBING E-COMMERCE CO., LTD**, Shenzhen (CN)

eVacuumStore.com Electrolux Oxygen EL7025A S—Bag Classic <https://evacuumstore.com/p-4906-electrolux-oxygen-vacuum-cleaner-el7025a-s-bag-classic-5-pack.aspx> (Year: 2022).*

(Continued)

(72) Inventor: **Juan Li**, Shenzhen (CN)

Primary Examiner — Kevin K Rudzinski

(73) Assignee: **SHENZHEN KUAJINGJIANBING E-COMMERCE CO., LTD**, Shenzhen (CN)

Assistant Examiner — Richard E Yenchesky

(74) *Attorney, Agent, or Firm* — Daniel M. Cohn; Howard M. Cohn

(**) Term: **15 Years**

(57) **CLAIM**

The ornamental design for a vacuum bag cover, as shown and described.

(21) Appl. No.: **29/836,598**

(22) Filed: **Apr. 28, 2022**

DESCRIPTION

(51) **LOC (14) Cl.** **15-05**

(52) **U.S. Cl.**
USPC **D32/31**

(58) **Field of Classification Search**
USPC 15/347; D15/61, 99; D32/25, 30, 31
CPC A47L 5/28; A47L 9/1427; A47L 9/1436;
B01D 29/13; B01D 29/23
See application file for complete search history.

FIG. 1 is a perspective view of a vacuum bag cover showing my new design;
FIG. 2 is another perspective view thereof;
FIG. 3 is a front elevational view thereof;
FIG. 4 is a rear elevational view thereof;
FIG. 5 is a left side elevational view thereof;
FIG. 6 is a right side elevational view thereof;
FIG. 7 is a top plan view thereof;
FIG. 8 is a bottom plan view thereof;
FIG. 9 is a perspective view of the vacuum bag cover shown in an open state;
FIG. 10 is a perspective view of the vacuum bag cover where the vacuum bag cover is assembled with a vacuum bag; and, FIG. 11 is an enlarged view of portion 11 shown in FIG. 2. The dash-dash broken lines in FIG. 10 showing the vacuum bag depict environment and form no part of the claimed design. The other dash-dash broken lines in the drawings depict portions of the vacuum bag cover that form no part of the claimed design. The dot-dash broken lines represent the boundary of the enlarged portion and form no part of the claimed design.

(56) **References Cited**

U.S. PATENT DOCUMENTS

4,738,697 A * 4/1988 Westergren A47L 9/1436
55/492
D314,848 S * 2/1991 Foldes D32/31
5,464,460 A * 11/1995 Bosses A47L 9/1436
55/374

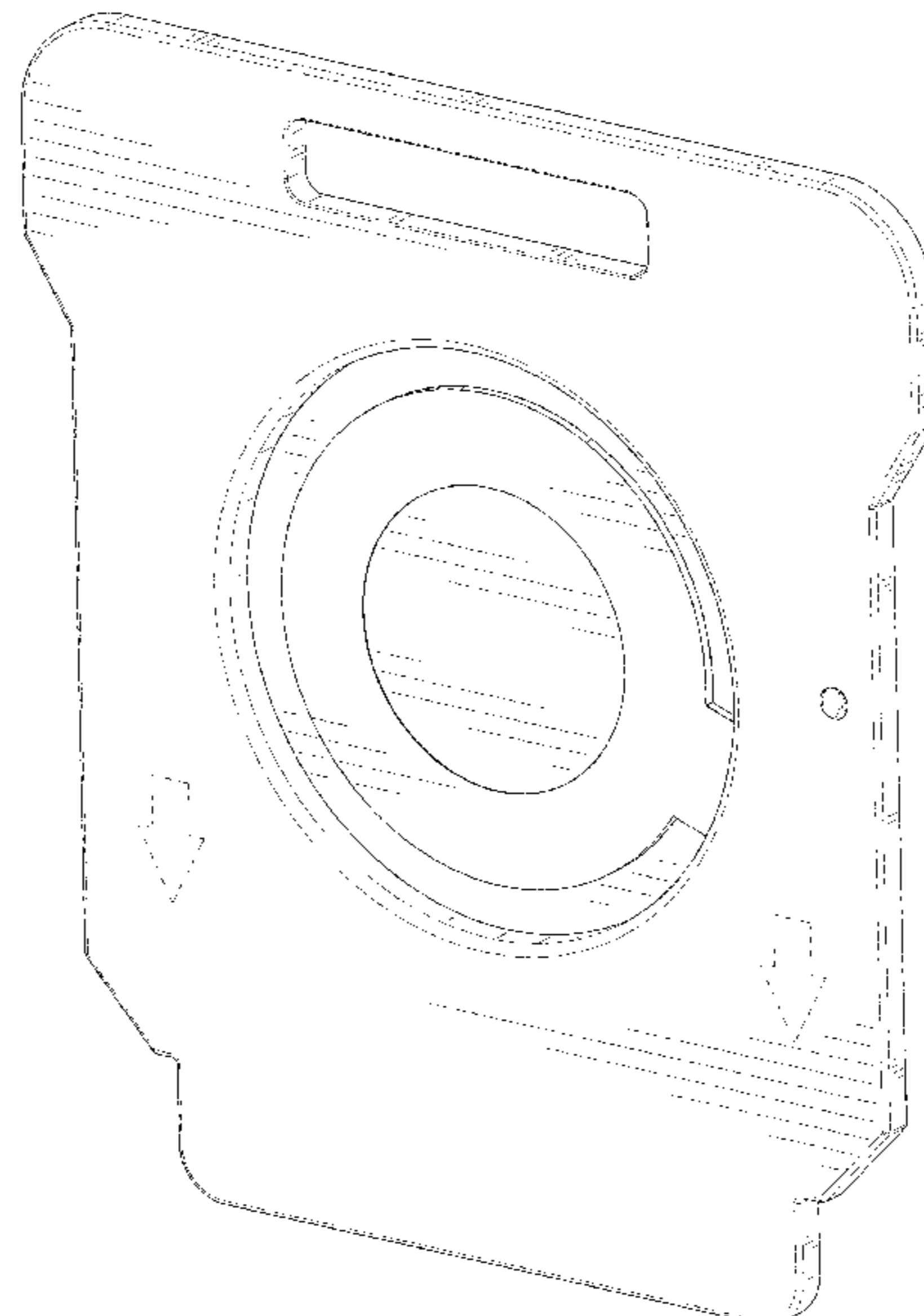
(Continued)

FOREIGN PATENT DOCUMENTS

CN 307256881 * 4/2022
DE 4339297 C1 * 9/1994 A47L 9/1427

(Continued)

1 Claim, 11 Drawing Sheets



(56)

References Cited

U.S. PATENT DOCUMENTS

5,472,460 A * 12/1995 Schmierer A47L 9/1427
 55/377
 5,472,465 A * 12/1995 Schmierer A47L 9/1427
 55/377
 5,613,989 A * 3/1997 Bosses B01D 46/02
 55/377
 6,071,322 A * 6/2000 Hulthen A47L 9/149
 55/374
 D559,483 S * 1/2008 Matter D32/31
 8,439,997 B2 * 5/2013 Rupp A47L 9/1472
 55/374
 D845,762 S 4/2019 Felsenthal et al.
 D868,405 S 11/2019 Andrup
 10,986,969 B2 * 4/2021 Werius A47L 9/1427
 11,452,418 B2 * 9/2022 Na A47L 9/1472
 2006/0191416 A1 * 8/2006 Hirota B01D 39/18
 96/108
 2021/0235948 A1 * 8/2021 Bjork B01D 46/02

FOREIGN PATENT DOCUMENTS

DE 4339298 C1 * 9/1994 A47L 9/1427
 DE 102005041811 A1 * 3/2007 A47L 9/1436
 EP 3326506 A1 * 5/2018 A47L 9/1418
 EP 3326507 A1 * 5/2018 A47L 9/1427
 JP 05049570 A * 3/1993 A47L 9/14
 JP 06339446 A * 3/1993 A47L 9/14
 WO WO-9515110 A1 * 6/1995 A47L 9/1427
 WO WO-2017194081 A1 * 11/2017 A47L 9/1427

OTHER PUBLICATIONS

amazon.com SOJOCK [https://www.amazon.com/SOJOCK-
 Replacement-Automatic-Disposal-Compatible/dp/B09Y3KGKZC?
 th=1](https://www.amazon.com/SOJOCK-Replacement-Automatic-Disposal-Compatible/dp/B09Y3KGKZC?th=1) (Year: 2022).*
 amazon.com IYOUYA [https://www.amazon.com/TYOUYA-Compatible-
 Replacement-Automatic-Disposal/dp/B09XX7YK1F?source=ps-sl-
 shoppingads-lpcontext&ref_=fplfs&smid=A31A5QKFM53JLP
 &th=1](https://www.amazon.com/TYOUYA-Compatible-Replacement-Automatic-Disposal/dp/B09XX7YK1F?source=ps-sl-shoppingads-lpcontext&ref_=fplfs&smid=A31A5QKFM53JLP&th=1) (Year: 2022).*

* cited by examiner

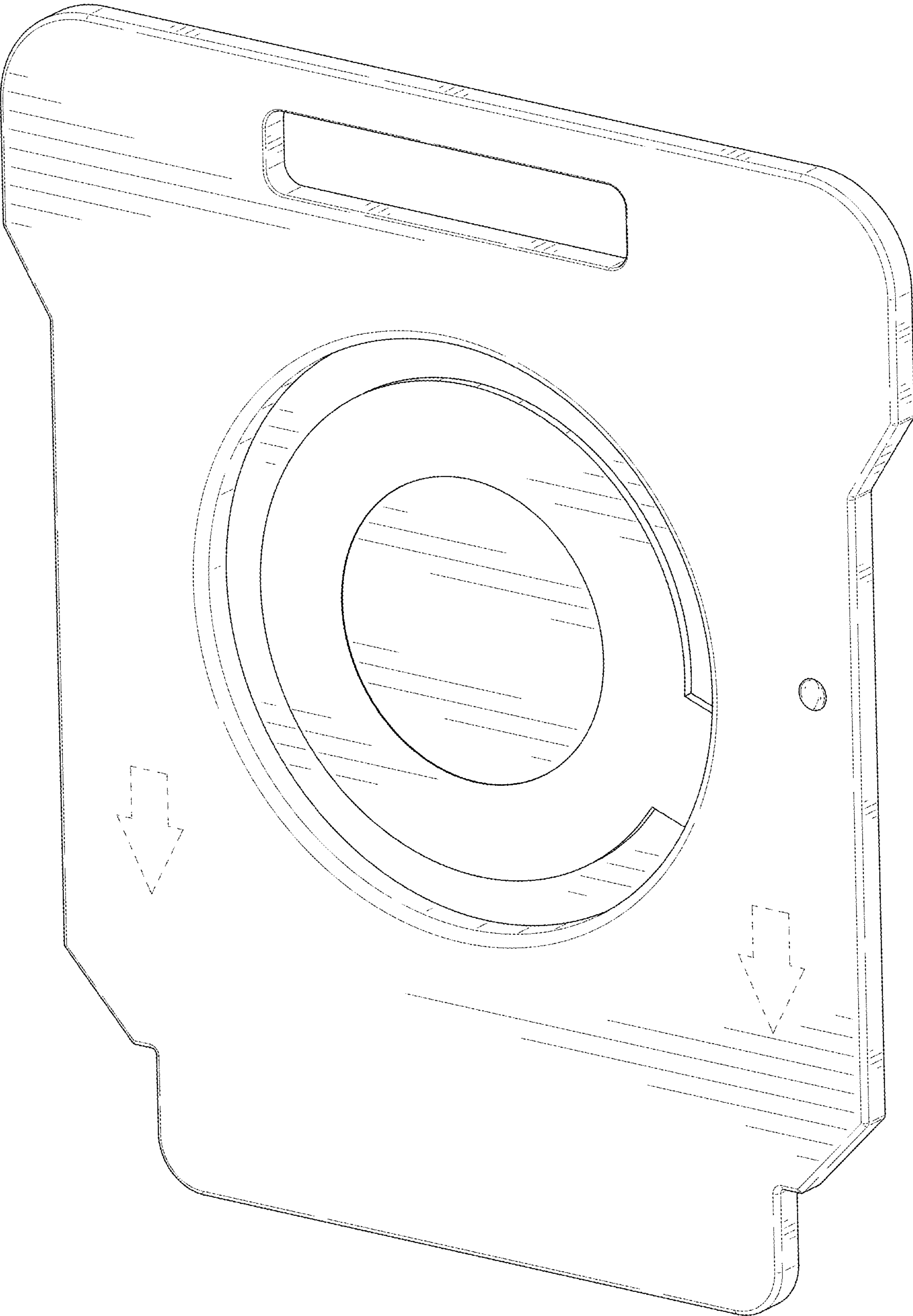


FIG. 1

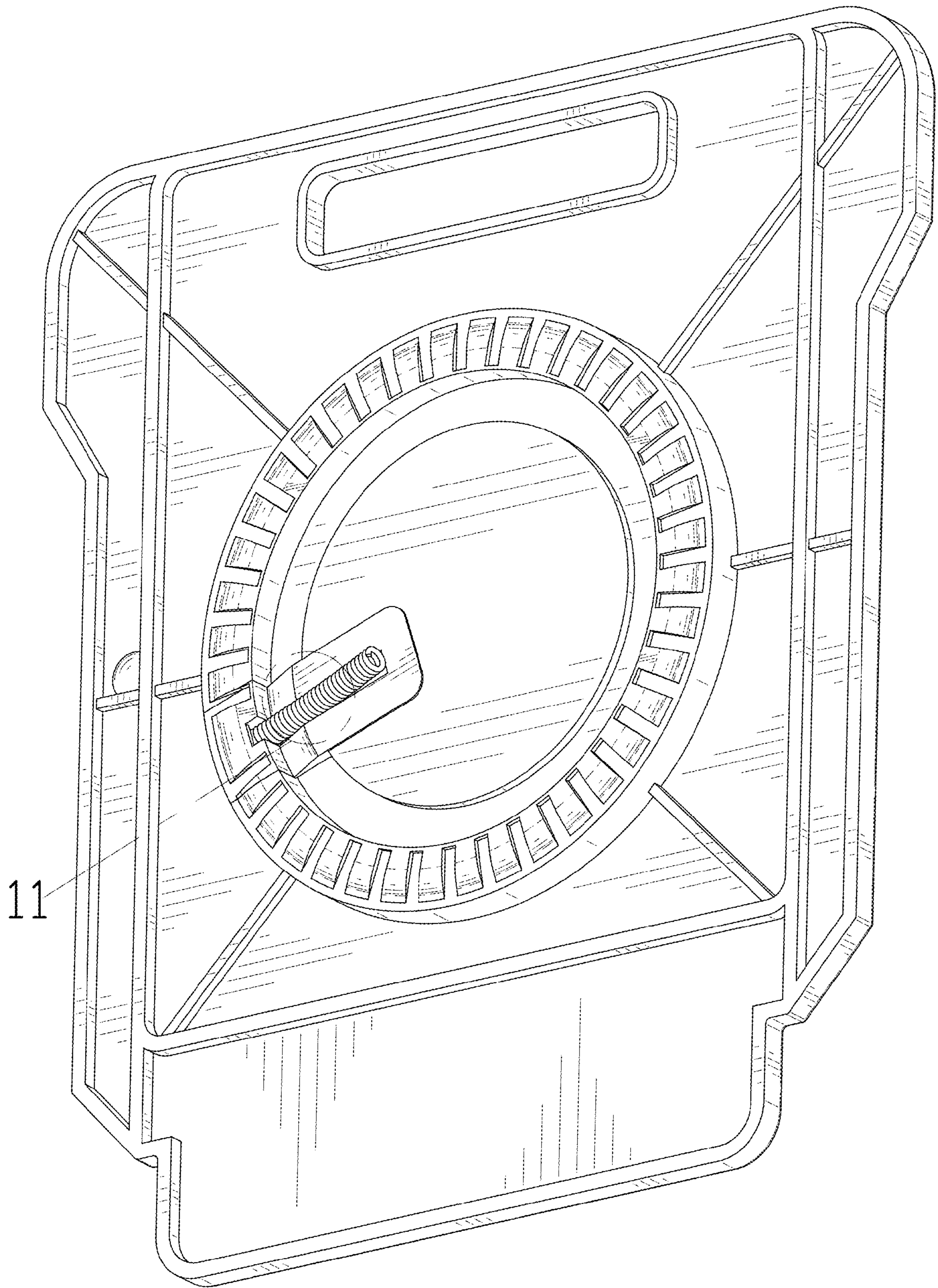


FIG. 2

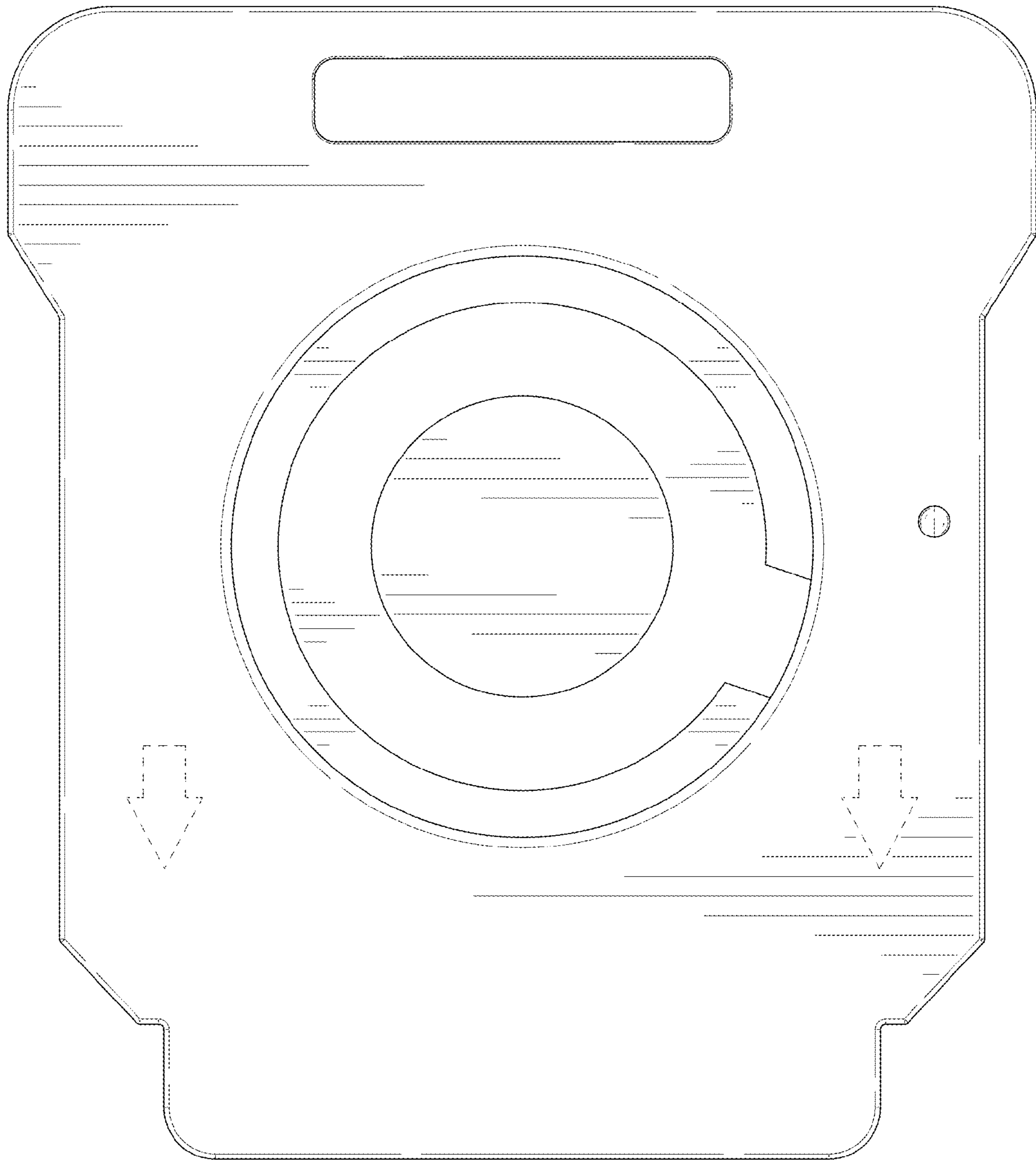


FIG. 3

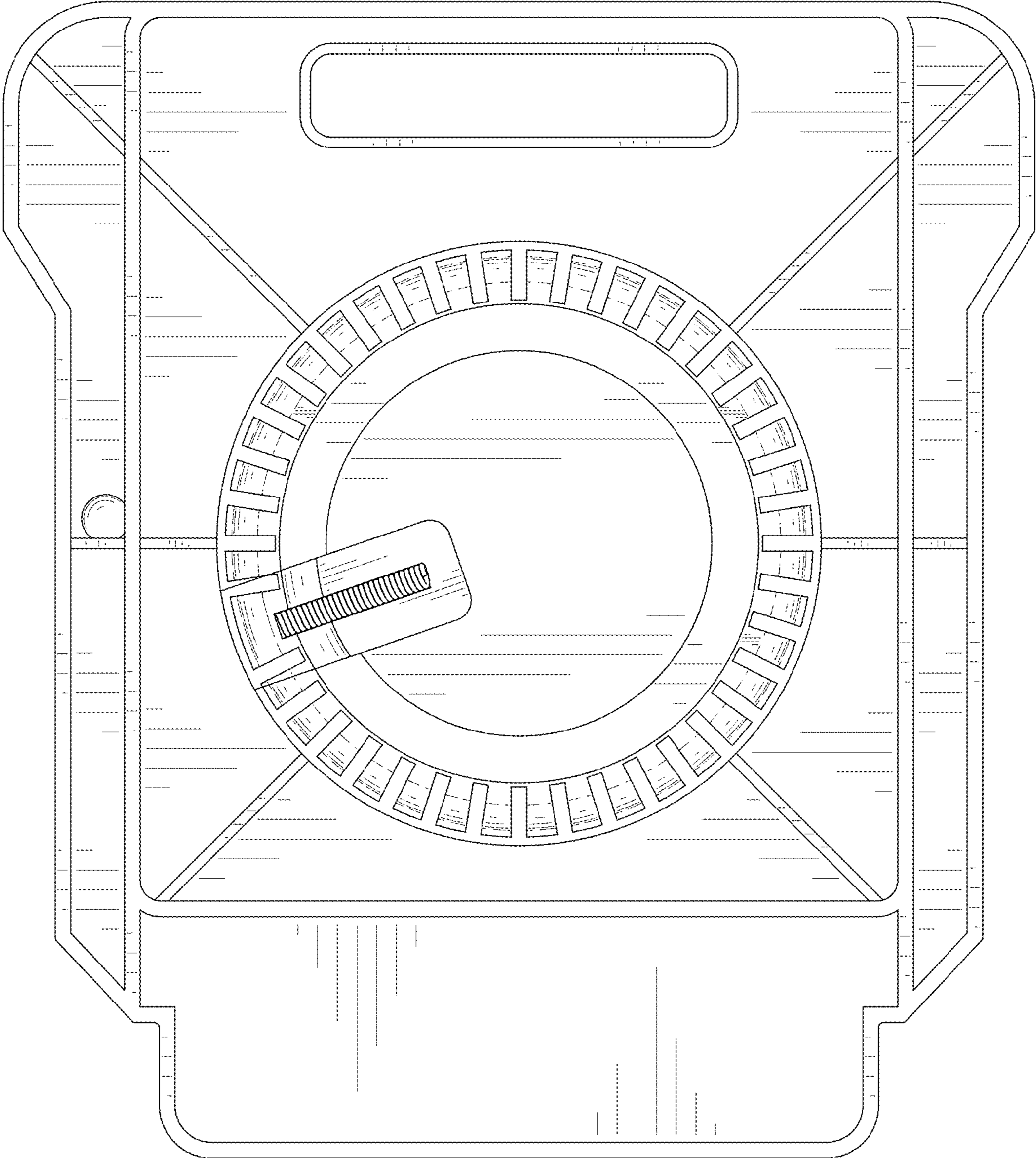


FIG. 4

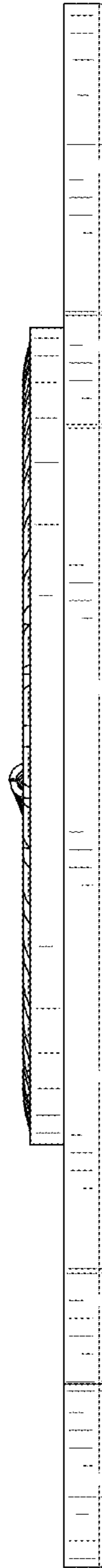


FIG. 5

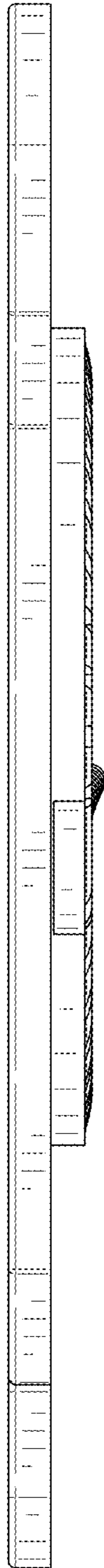


FIG. 6

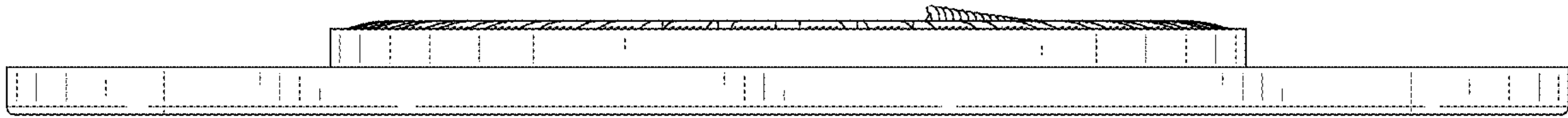


FIG. 7

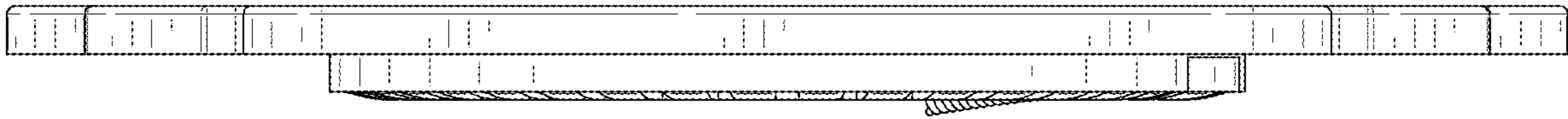


FIG. 8

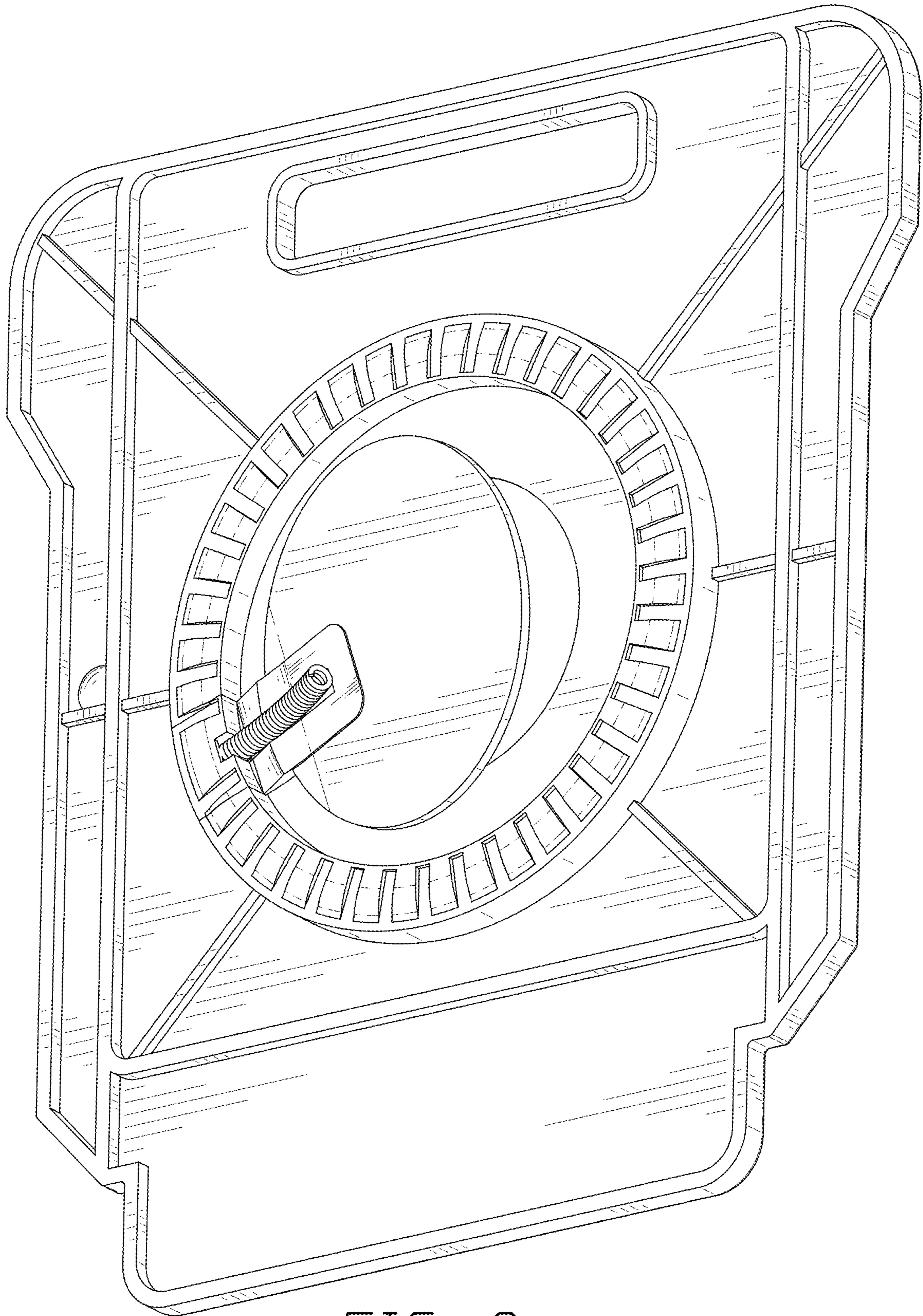


FIG. 9

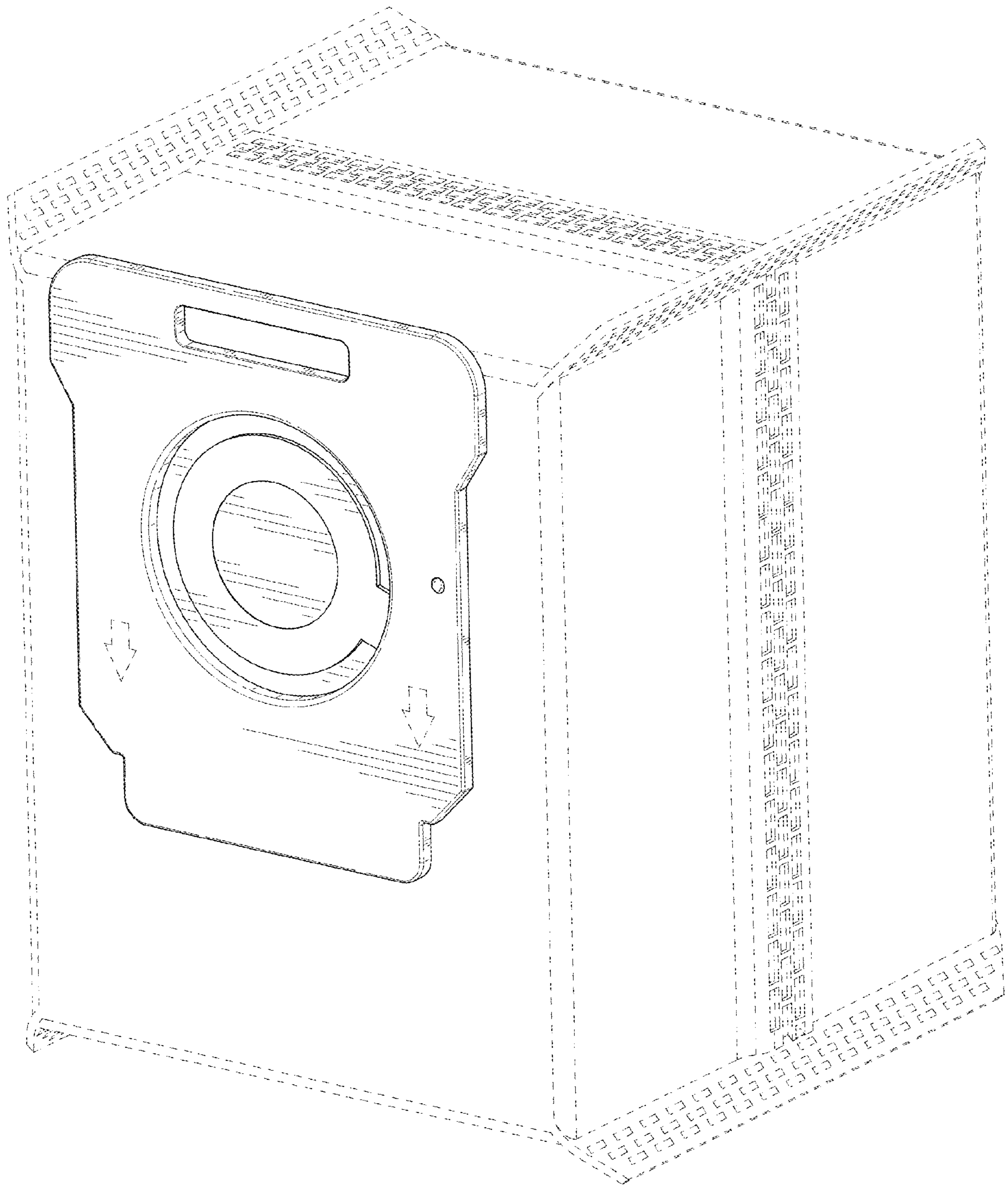


FIG. 10

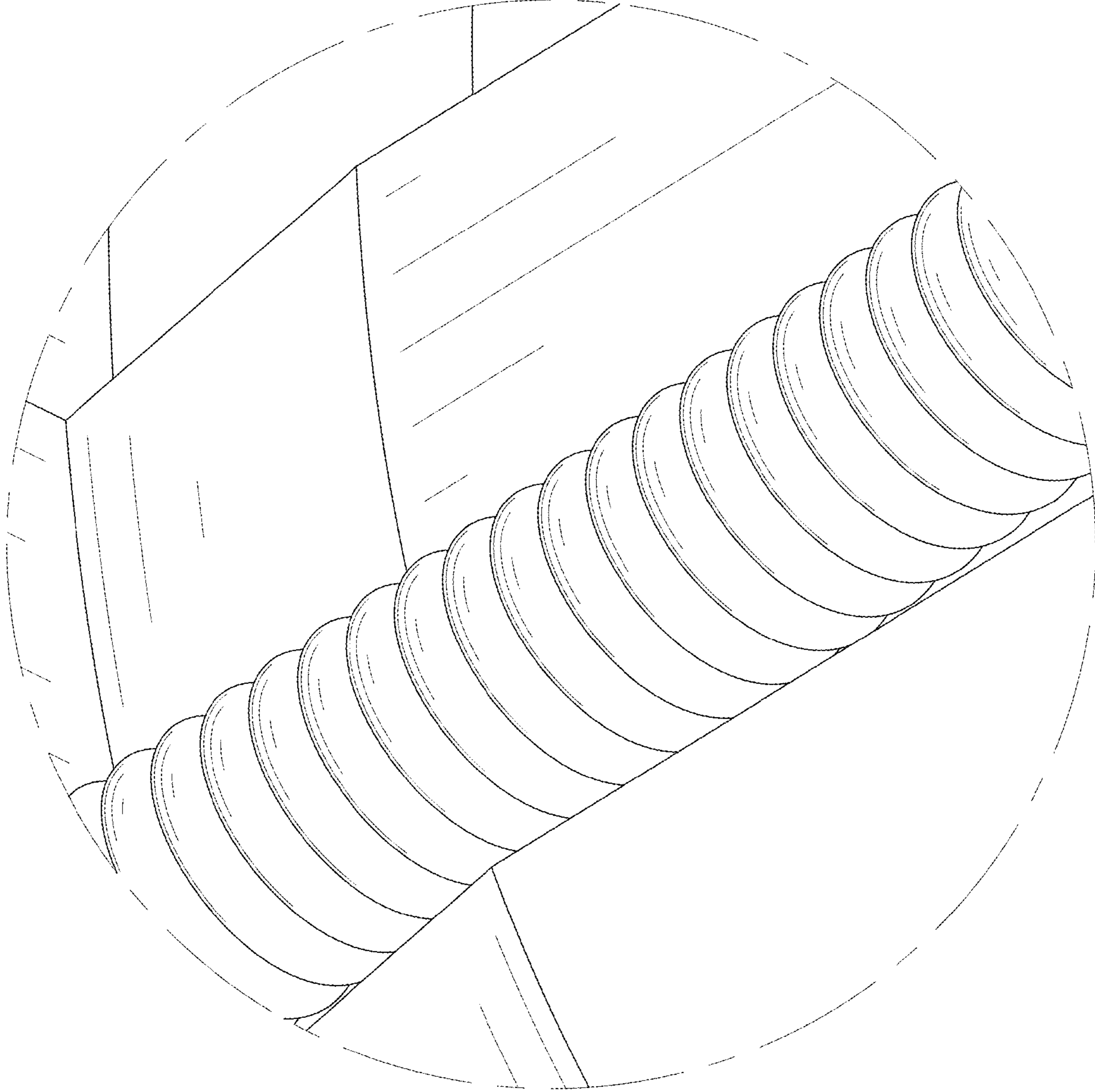


FIG. 11