

US00D975389S

(12) **United States Design Patent** (10) **Patent No.:** **US D975,389 S**
Li (45) **Date of Patent:** **** Jan. 10, 2023**

(54) **ROBOTIC VACUUM CLEANER**
(71) Applicant: **SHENZHEN MODERN BUSINESS TRADING CO., LTD.**, Shenzhen (CN)

(72) Inventor: **Shaojun Li**, Shenzhen (CN)

(73) Assignee: **SHENZHEN MODERN BUSINESS TRADING CO., LTD.**, Shenzhen (CN)

(**) Term: **15 Years**

(21) Appl. No.: **29/800,350**

(22) Filed: **Jul. 20, 2021**

(51) **LOC (14) Cl.** **15-05**

(52) **U.S. Cl.**
USPC **D32/21**

(58) **Field of Classification Search**
USPC D8/70; D15/199; D16/230; D32/1, 21, D32/31
CPC A47L 9/009; A47L 2201/00; A47L 13/10; A47L 13/00; A47L 11/32; A47L 11/24; A47L 11/00; A47L 11/02
See application file for complete search history.

(56) **References Cited**

U.S. PATENT DOCUMENTS

D660,530 S *	5/2012	Geringer	D32/21
D835,869 S *	12/2018	Li	D32/21
D869,797 S	12/2019	Chei et al.		
D885,699 S	5/2020	Li		
D903,961 S *	12/2020	Li	D32/21
D906,608 S *	12/2020	Li	D32/21
D917,809 S *	4/2021	Kim	D32/21
D926,400 S *	7/2021	Kim	D32/21
D932,123 S *	9/2021	Li	D32/21
D932,718 S *	10/2021	Yan	D32/21
D947,473 S *	3/2022	Chei	D32/21
D948,143 S *	4/2022	Pearce	D32/21

D955,073 S *	6/2022	Tan	D32/21
2019/0069744 A1 *	3/2019	Liggett	A47L 9/009
2021/0093146 A1 *	4/2021	Pastore	A47L 9/2889

OTHER PUBLICATIONS

homeandgardens.com Shark IQ Robot XL Vacuum <https://www.homesandgardens.com/reviews/shark-iq-robot-xl-vacuum-with-self-empty-base-review> (Year: 2021).*
Amazon.co.uk Robot Vacuum Cleaner https://www.amazon.co.uk/dp/B09NPWVSYL/ref=sspa_dk_detail_1?ie=UTF8&psc=1&pd_rd_i=&pd_rd_i=B09NPWVSYLp13NParams&s=kitchen&sp_csd=d2lkZ2V0TmFtZT1zF9kZXRhaWwy (Year: 2022).*

* cited by examiner

Primary Examiner — Kevin K Rudzinski
Assistant Examiner — Richard E Yenchesky

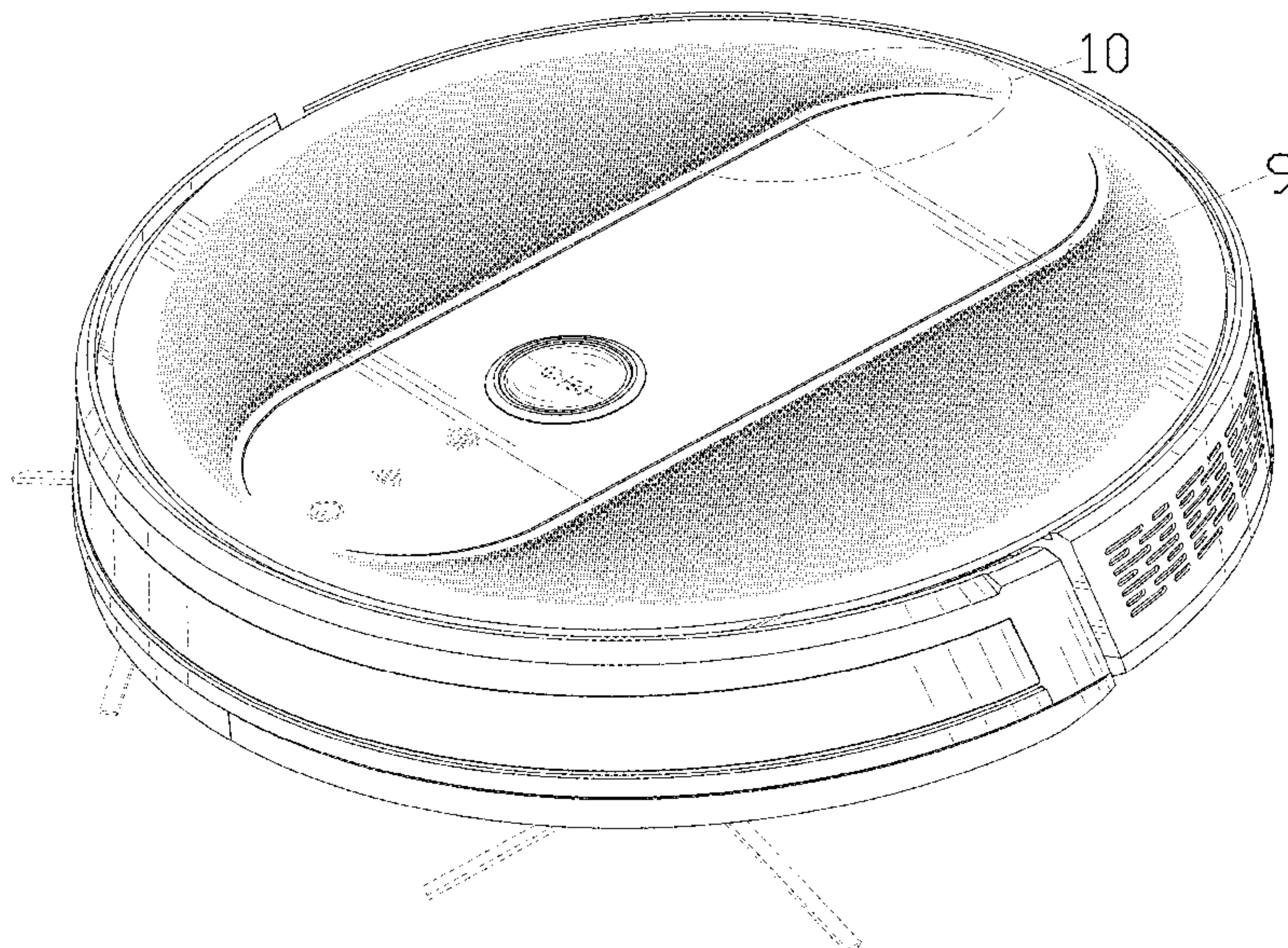
(57) **CLAIM**

The ornamental design for a robotic vacuum cleaner, as shown and described.

DESCRIPTION

FIG. 1 is a perspective view of a robotic vacuum cleaner showing my new design;
FIG. 2 is another perspective view thereof;
FIG. 3 is a front elevational view thereof;
FIG. 4 is a rear elevational view thereof;
FIG. 5 is a left side elevational view thereof;
FIG. 6 is a right side elevational view thereof;
FIG. 7 is a top plan view thereof;
FIG. 8 is a bottom plan view thereof;
FIG. 9 is an enlarged view of portion 9 shown in FIG. 1;
FIG. 10 is an enlarged view of portion 10 shown in FIG. 1; and,
FIG. 11 is an enlarged view of portion 11 shown in FIG. 7.
The dash-dash broken lines in the drawings depict portions of the robotic vacuum cleaner that form no part of the claimed design. The dot-dash broken lines represent boundaries of the enlarged portions and form no part of the claimed design.

1 Claim, 11 Drawing Sheets



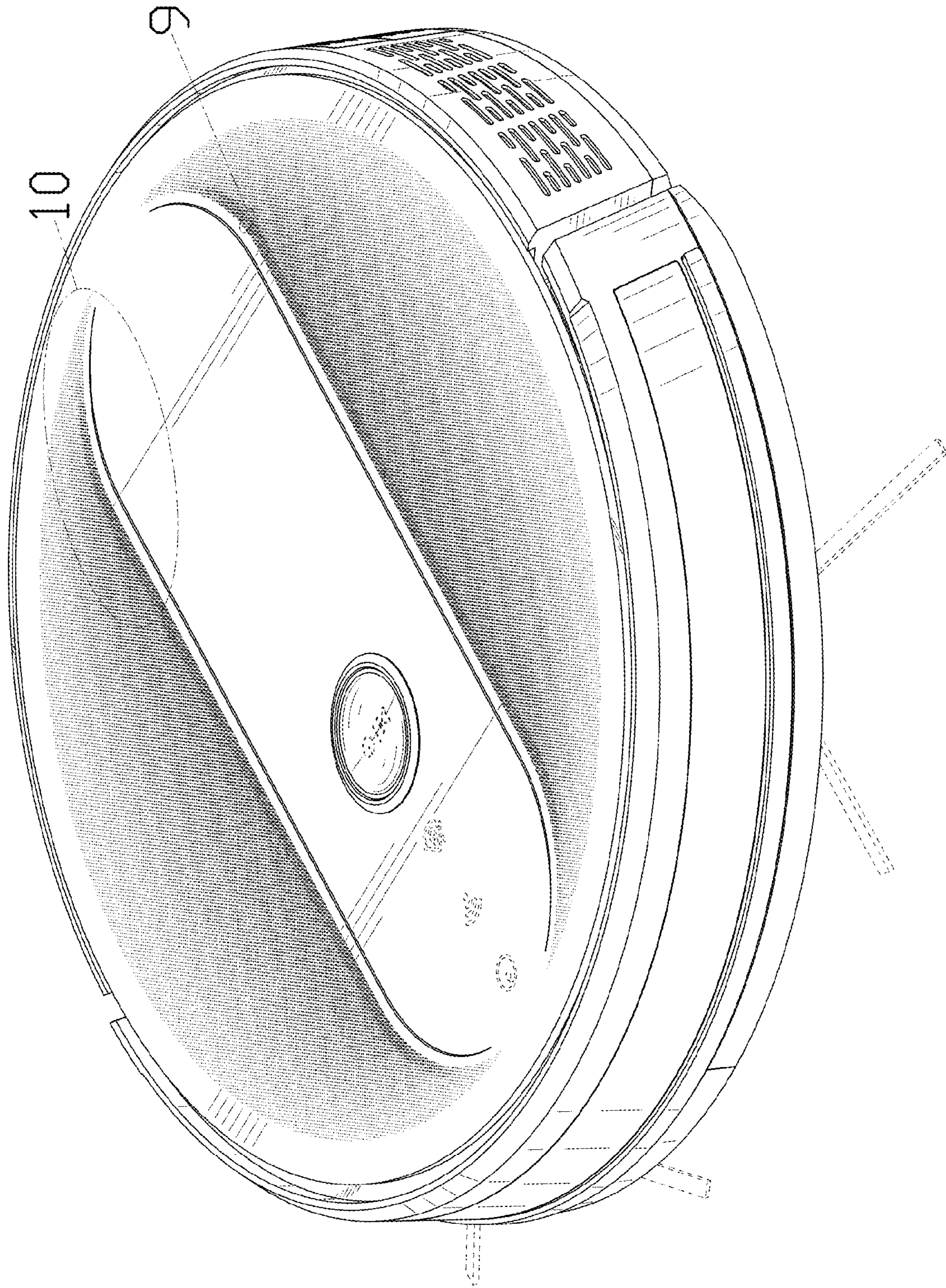


FIG. 1

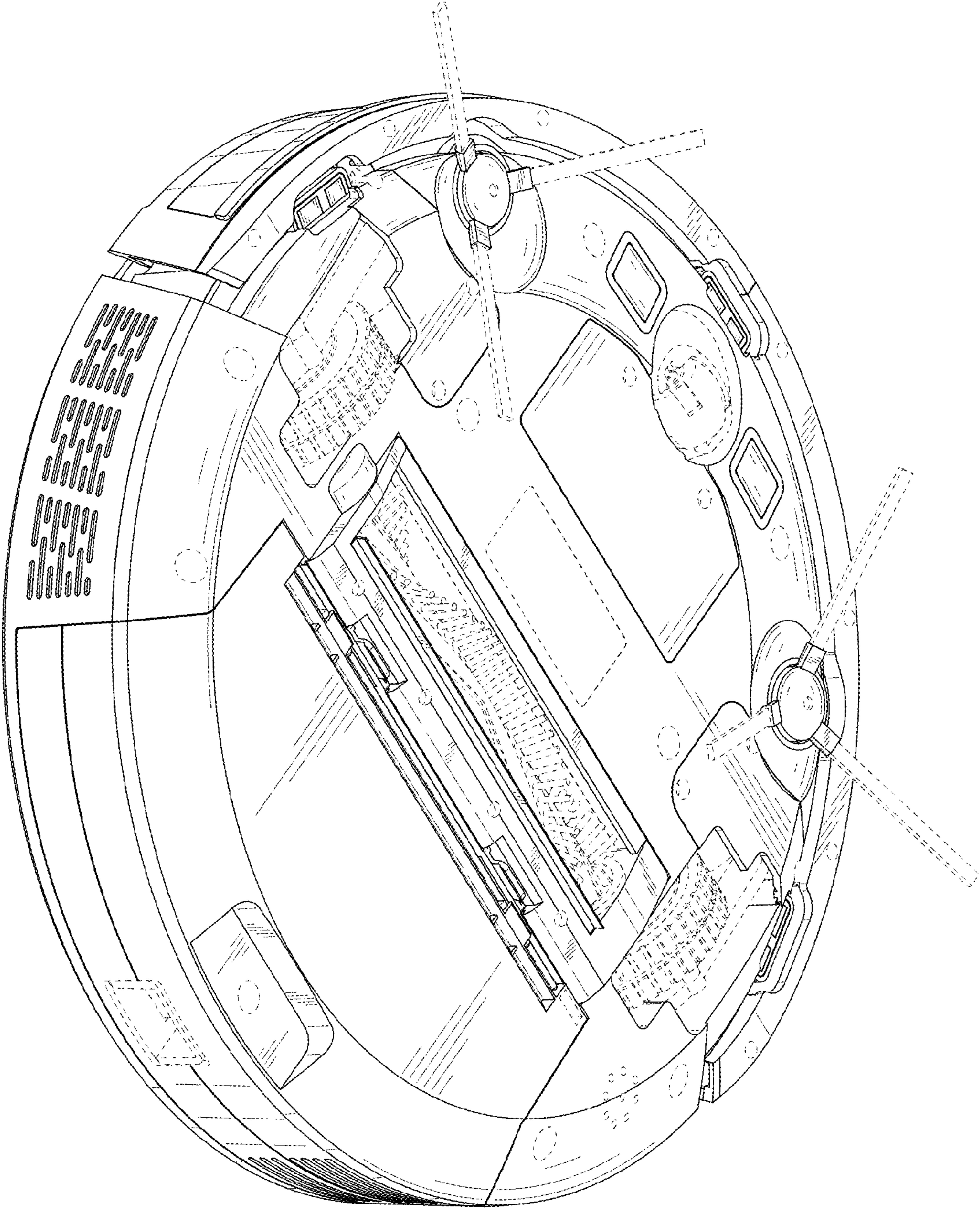


FIG. 2

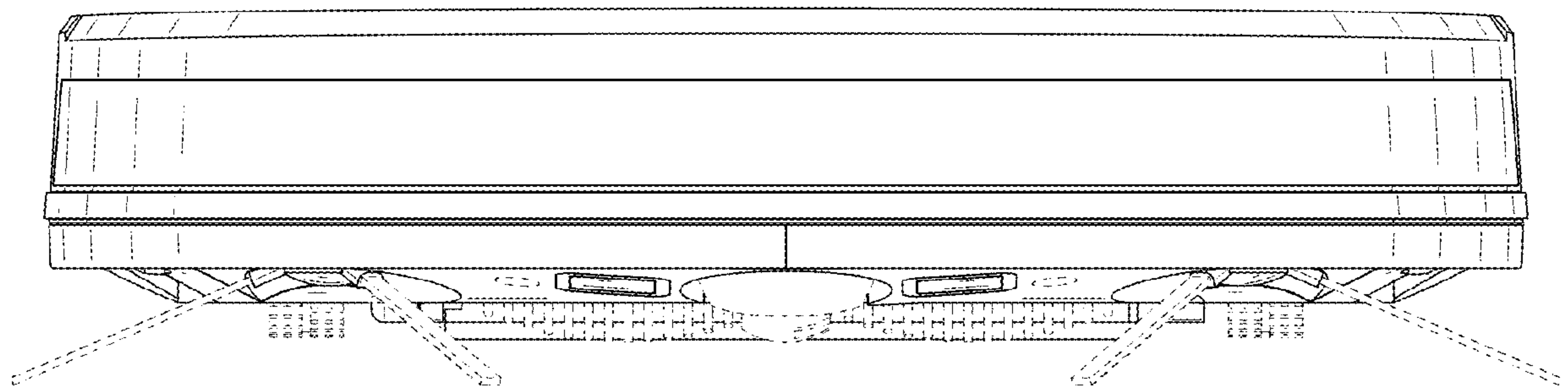


FIG. 3

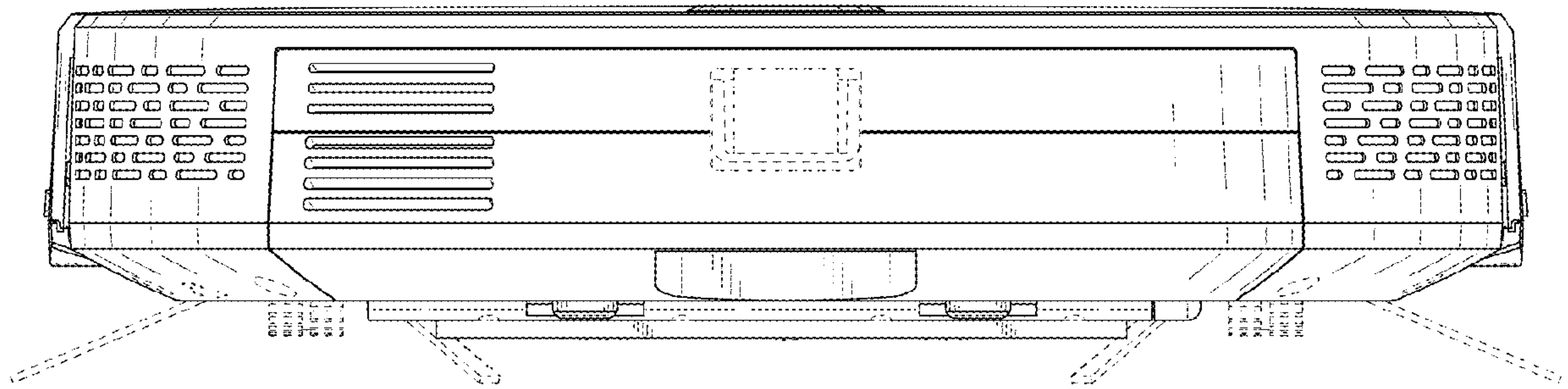


FIG. 4

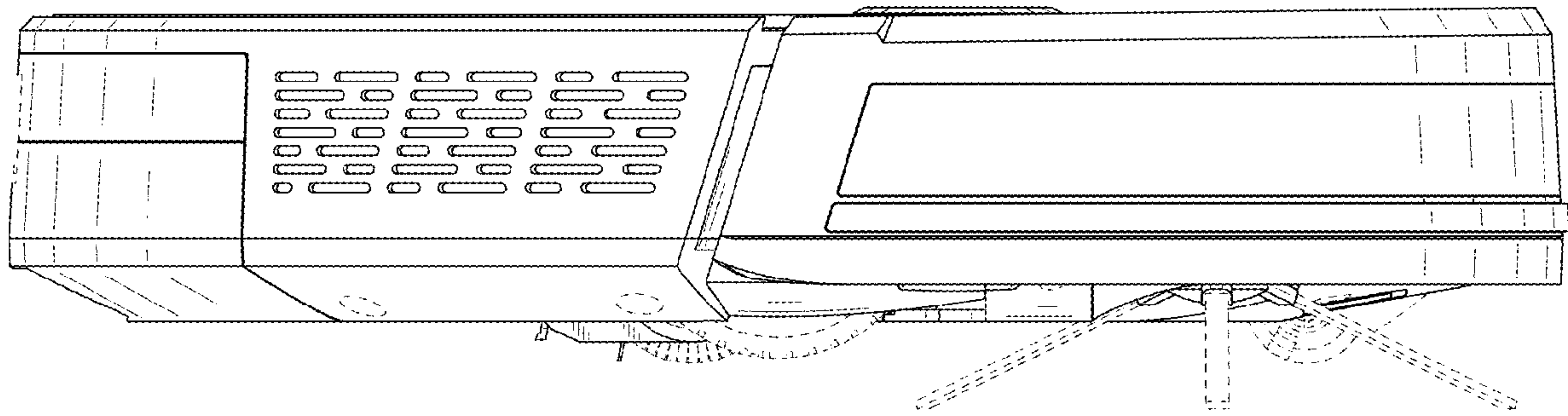


FIG. 5

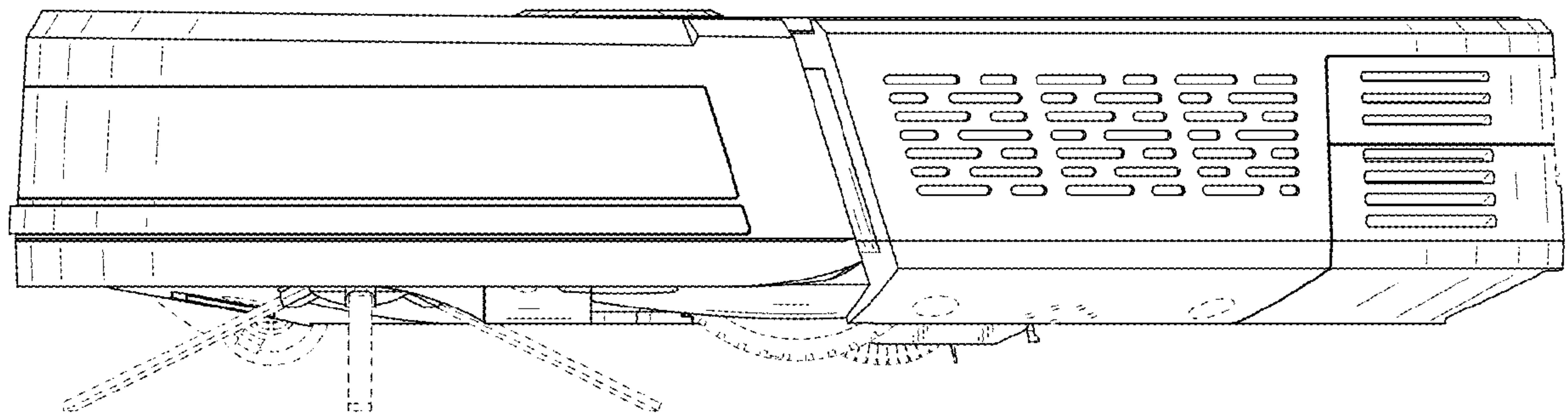


FIG. 6

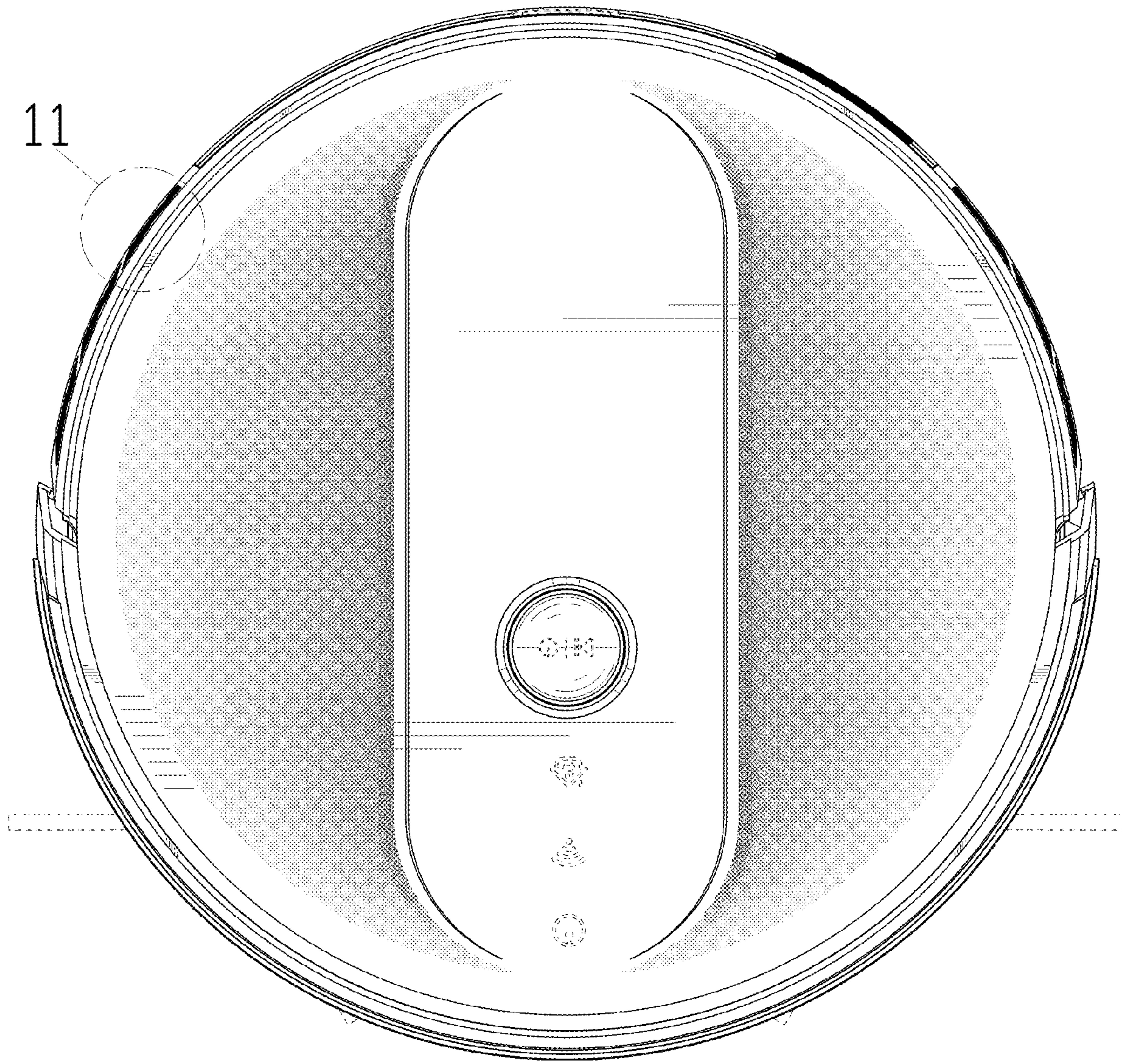


FIG. 7

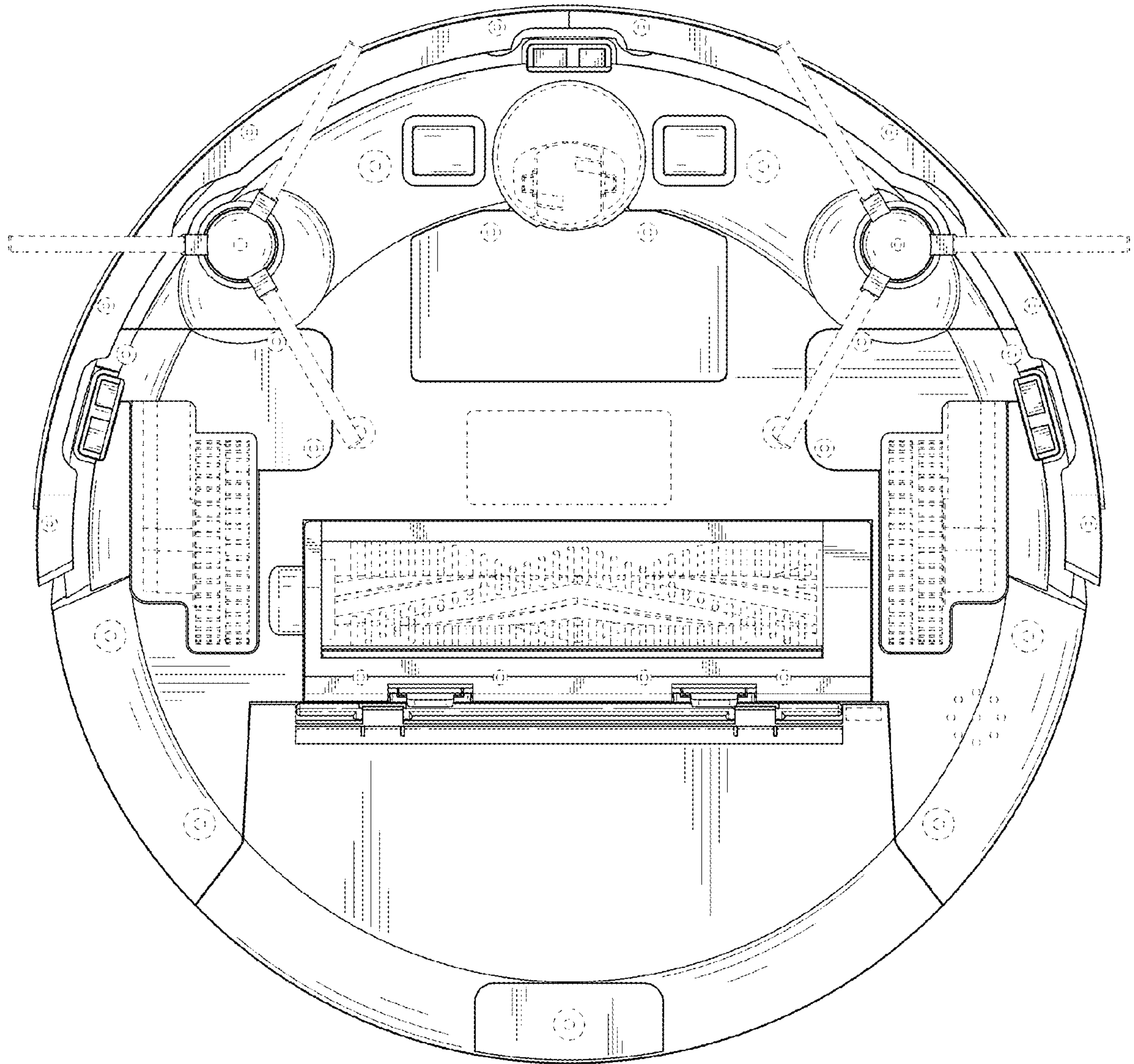


FIG. 8

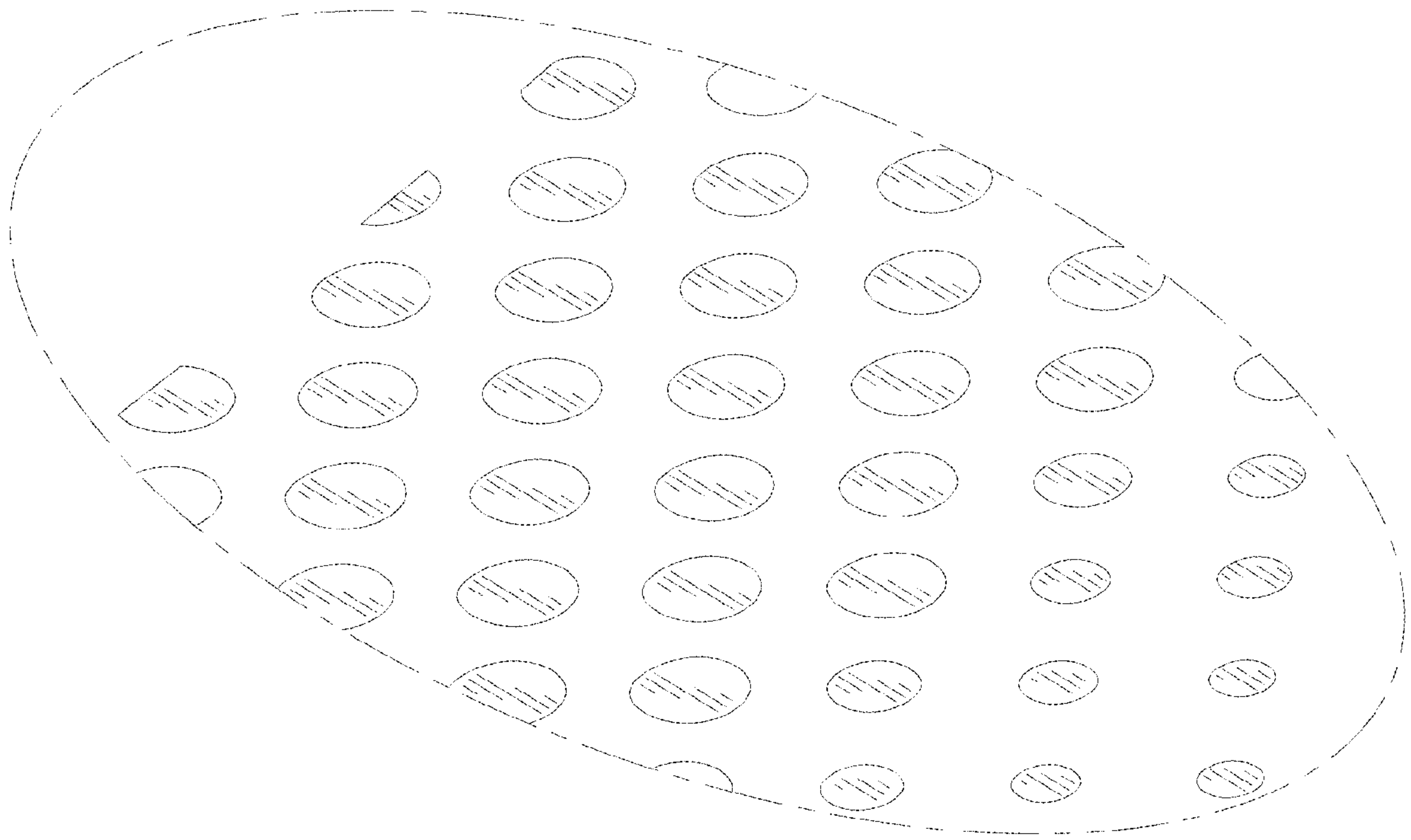


FIG. 9

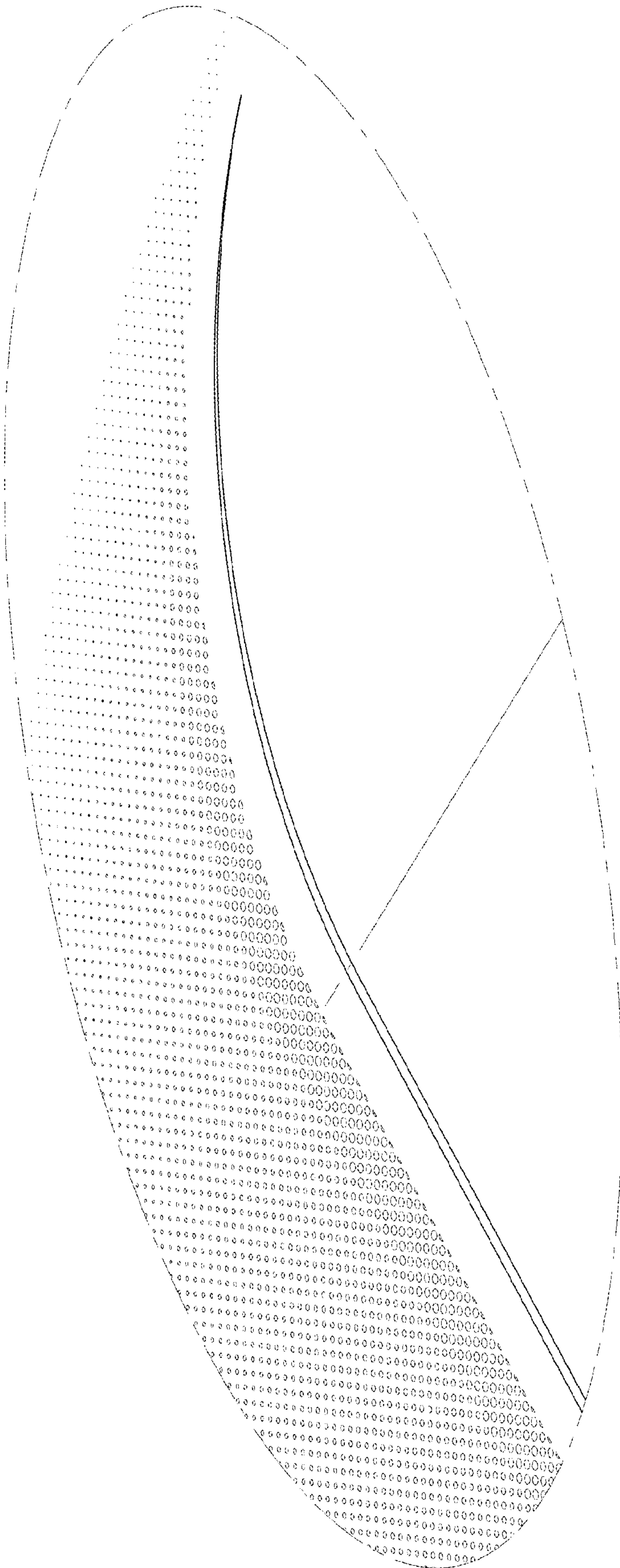


FIG. 10

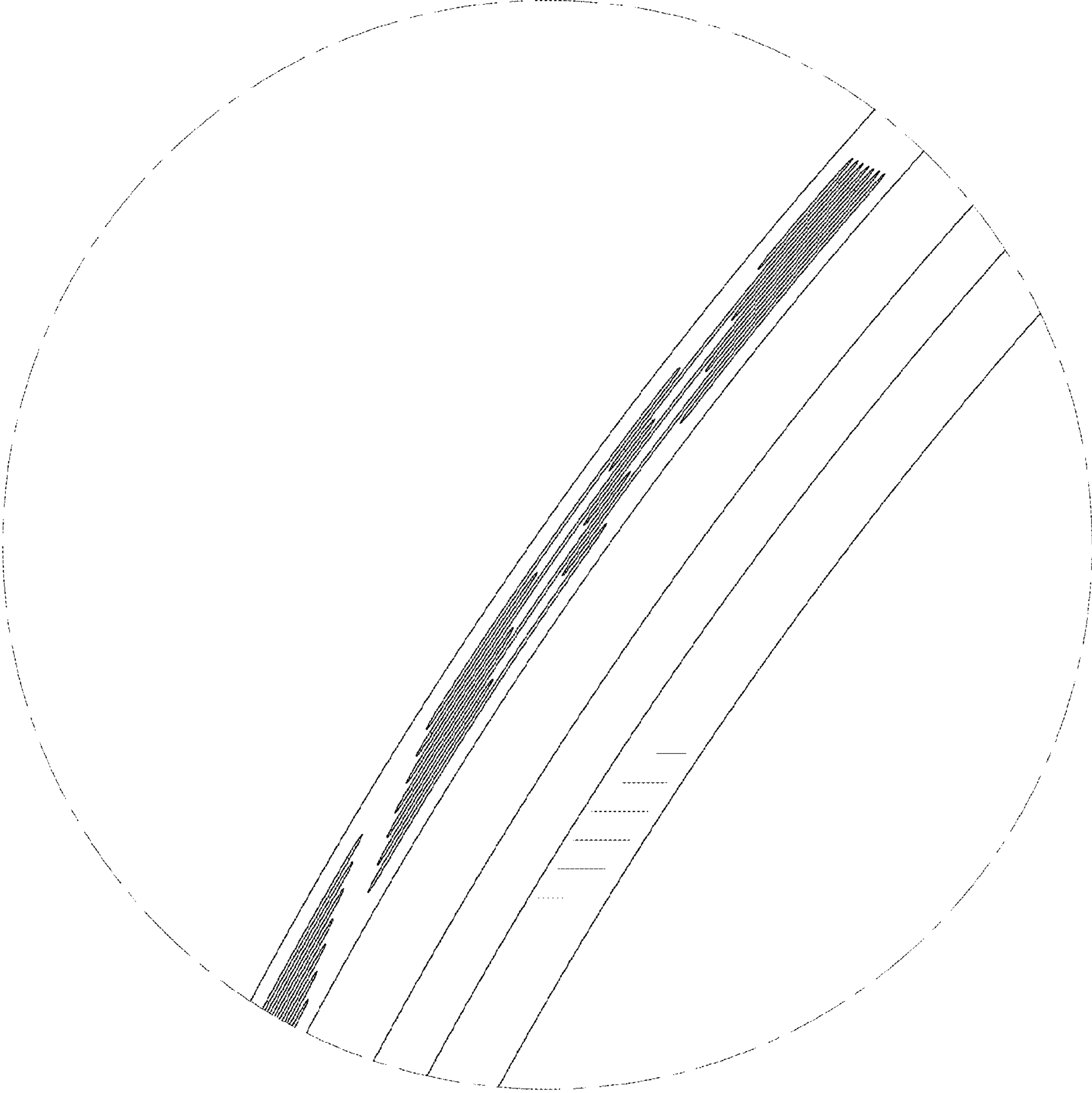


FIG. 11