



US00D975388S

(12) **United States Design Patent**  
**Li**

(10) **Patent No.:** **US D975,388 S**  
(45) **Date of Patent:** **\*\* Jan. 10, 2023**

- (54) **ROBOTIC VACUUM CLEANER**
- (71) Applicant: **SHENZHEN WOMEI TECH CO., LTD.**, Shenzhen (CN)
- (72) Inventor: **Shaojun Li**, Shenzhen (CN)
- (73) Assignee: **SHENZHEN WOMEI TECH CO., LTD.**, Shenzhen (CN)
- (\*\*) Term: **15 Years**
- (21) Appl. No.: **29/800,343**
- (22) Filed: **Jul. 20, 2021**
- (51) **LOC (14) Cl.** ..... **15-05**
- (52) **U.S. Cl.**  
USPC ..... **D32/21**
- (58) **Field of Classification Search**  
USPC ..... D8/70; D15/199; D16/230; D32/1, 21, D32/31  
CPC ..... A47L 9/009; A47L 2201/00; A47L 13/10; A47L 13/00; A47L 11/32; A47L 11/24; A47L 11/00; A47L 11/02  
See application file for complete search history.

- D945,098 S \* 3/2022 Hong ..... D32/31
- D947,473 S \* 3/2022 Chei ..... D32/21
- D948,143 S \* 4/2022 Pearce ..... D32/21
- D955,073 S \* 6/2022 Tan ..... D32/21

(Continued)

**OTHER PUBLICATIONS**

Amazon.co.uk Coredy Robot Vacuum Cleaner [https://www.amazon.co.uk/Coredy-Vacuuming-Sweeping-Controls-Self-Charging/dp/B082W3RXQR/ref=sr\\_1\\_2\\_sspa?crd=2YFLM81RWZ88P&keywords=robot+vacuum+cleaner&qid=1662137514&srefix=robot+vacuu%2Caps%2C196&sr=8-2-spons&psc=1](https://www.amazon.co.uk/Coredy-Vacuuming-Sweeping-Controls-Self-Charging/dp/B082W3RXQR/ref=sr_1_2_sspa?crd=2YFLM81RWZ88P&keywords=robot+vacuum+cleaner&qid=1662137514&srefix=robot+vacuu%2Caps%2C196&sr=8-2-spons&psc=1) (Year: 2019).\*

*Primary Examiner* — Kevin K Rudzinski  
*Assistant Examiner* — Richard E Yenchesky

(57) **CLAIM**

The ornamental design for a robotic vacuum cleaner, as shown and described.

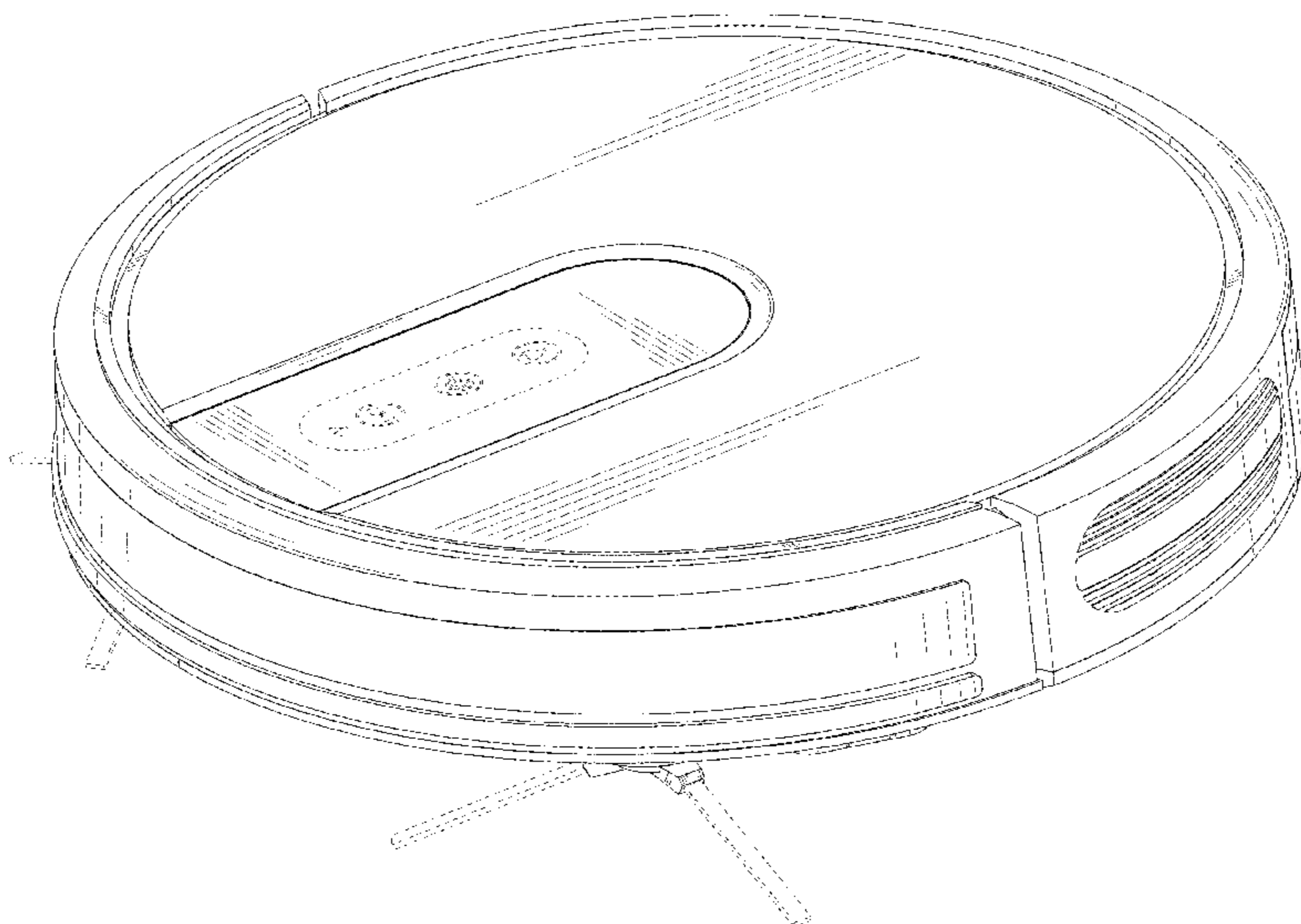
**DESCRIPTION**

FIG. 1 is a perspective view of a robotic vacuum cleaner showing my new design;  
FIG. 2 is another perspective view thereof;  
FIG. 3 is a front elevational view thereof;  
FIG. 4 is a rear elevational view thereof;  
FIG. 5 is a left side elevational view thereof;  
FIG. 6 is a right side elevational view thereof;  
FIG. 7 is a top plan view thereof;  
FIG. 8 is a bottom plan view thereof;  
FIG. 9 is an enlarged view of portion 9 shown in FIG. 2;  
FIG. 10 is an enlarged view of portion 10 shown in FIG. 2;  
and,  
FIG. 11 is an enlarged view of portion 11 shown in FIG. 2.  
The dash-dash broken lines in the drawings depict portions of the robotic vacuum cleaner that form no part of the claimed design. The dot-dash broken lines represent boundaries of the enlarged portions and form no part of the claimed design.

(56) **References Cited**  
U.S. PATENT DOCUMENTS

- D835,869 S \* 12/2018 Li ..... D32/21
- D869,797 S 12/2019 Chei et al.
- D871,694 S \* 12/2019 Casini ..... D32/21
- D872,953 S \* 1/2020 Ebrahimi Afrouzi ..... D32/21
- D885,699 S 5/2020 Li
- D903,961 S \* 12/2020 Li ..... D32/21
- D906,608 S \* 12/2020 Li ..... D32/21
- D917,809 S \* 4/2021 Kim ..... D32/21
- D919,210 S \* 5/2021 Mi ..... D32/21
- D929,690 S \* 8/2021 Cheng ..... A47L 9/009  
D15/199
- D932,123 S \* 9/2021 Li ..... D32/21
- D932,718 S \* 10/2021 Yan ..... D32/21
- D940,771 S \* 1/2022 Xie ..... A47L 9/009  
D15/199

**1 Claim, 11 Drawing Sheets**



(56)

**References Cited**

U.S. PATENT DOCUMENTS

2019/0069744 A1\* 3/2019 Liggett ..... A47L 9/009  
2020/0397207 A1\* 12/2020 Shin ..... A47L 11/4061

\* cited by examiner

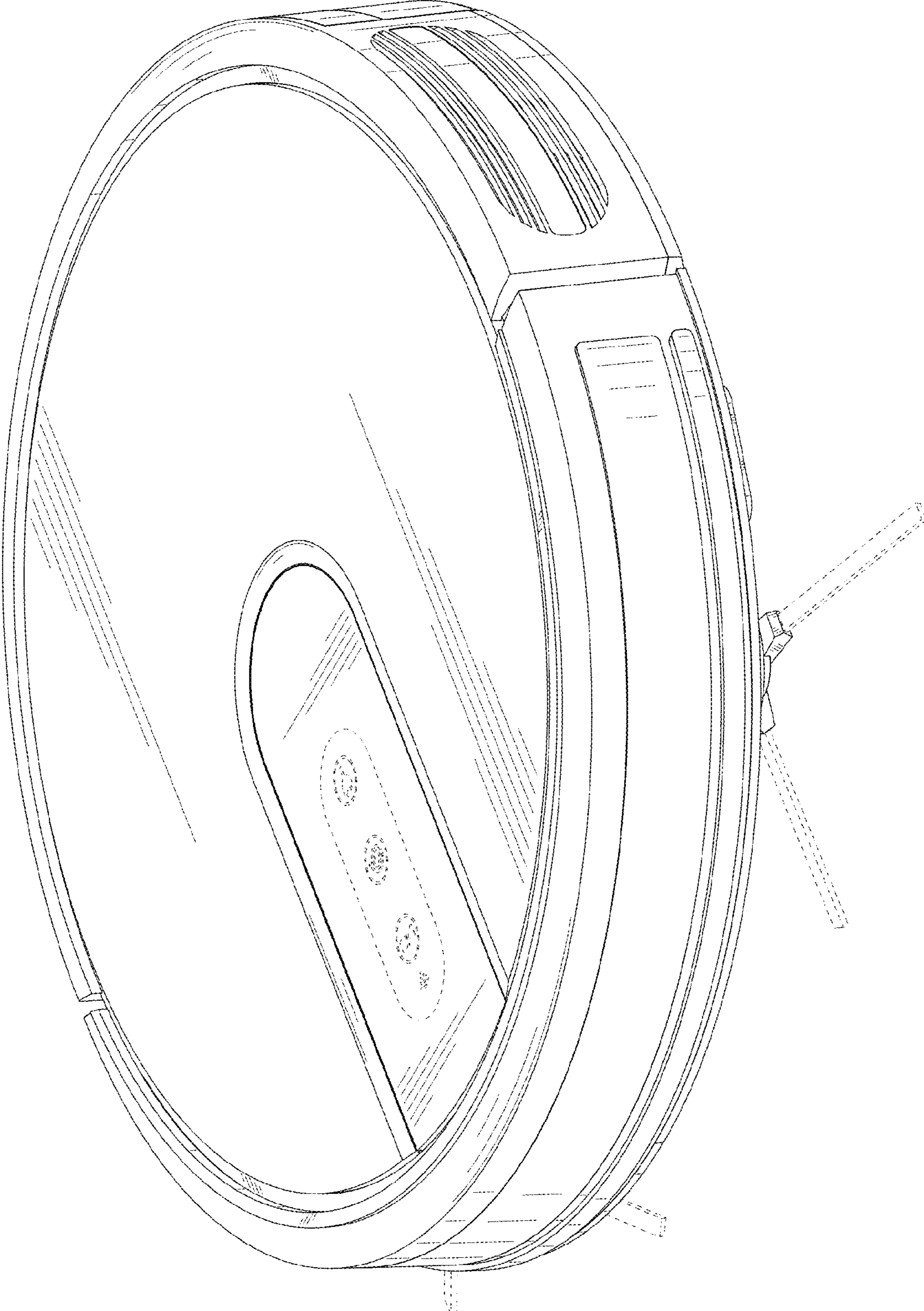


FIG. 1

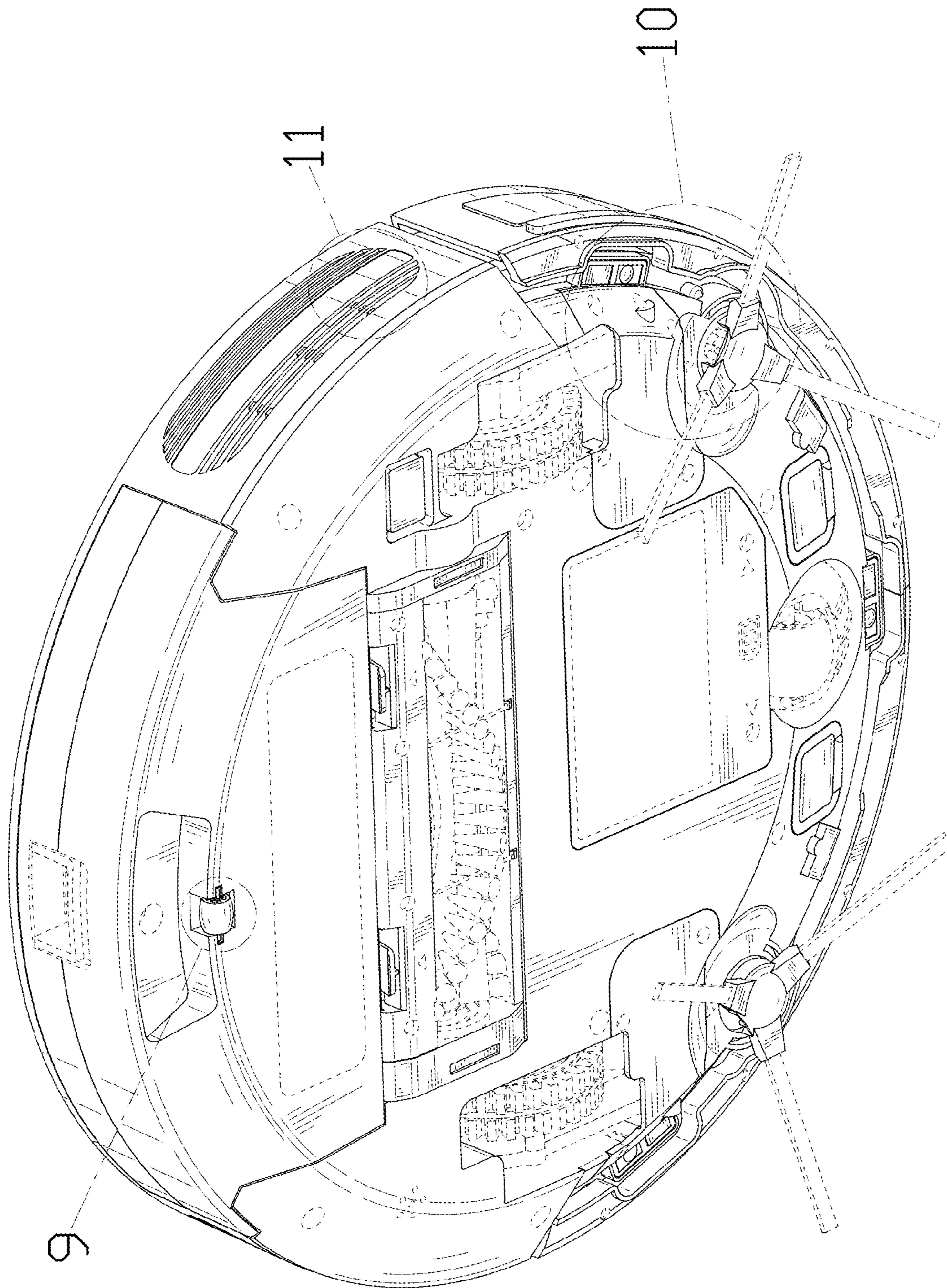


FIG. 2

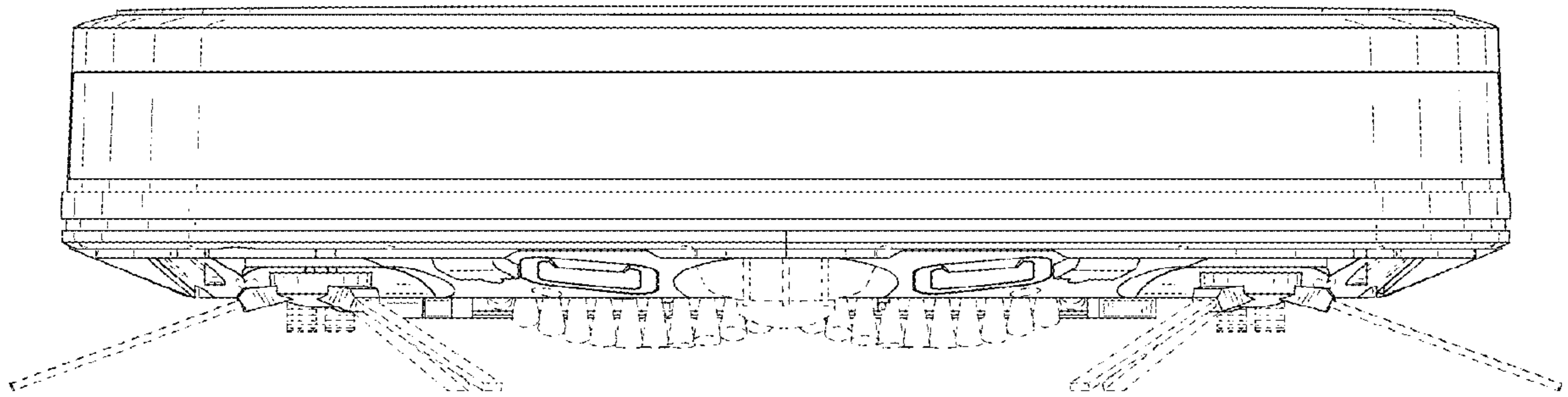


FIG. 3

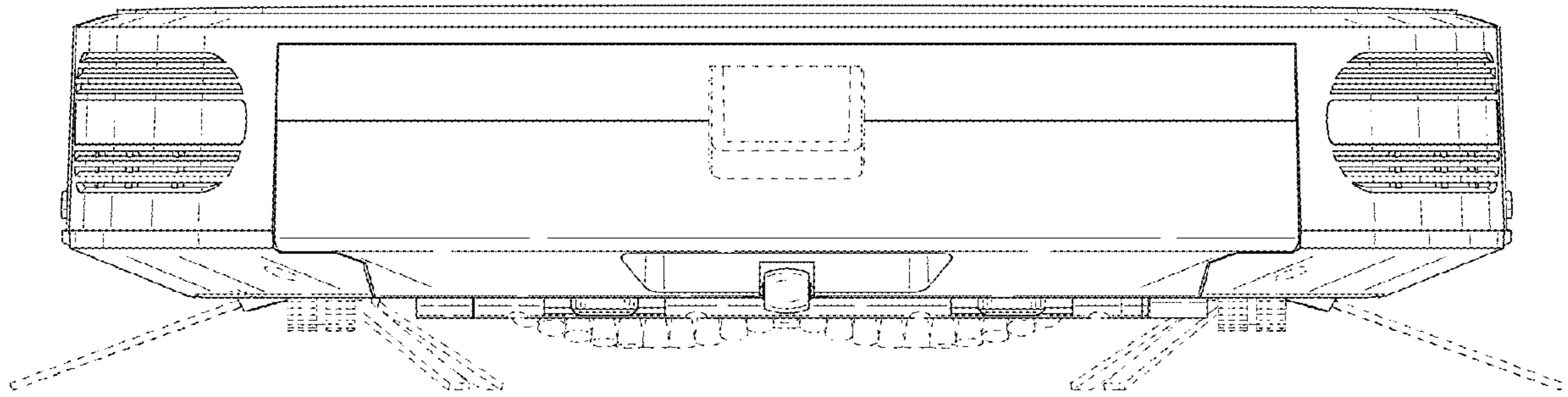


FIG. 4

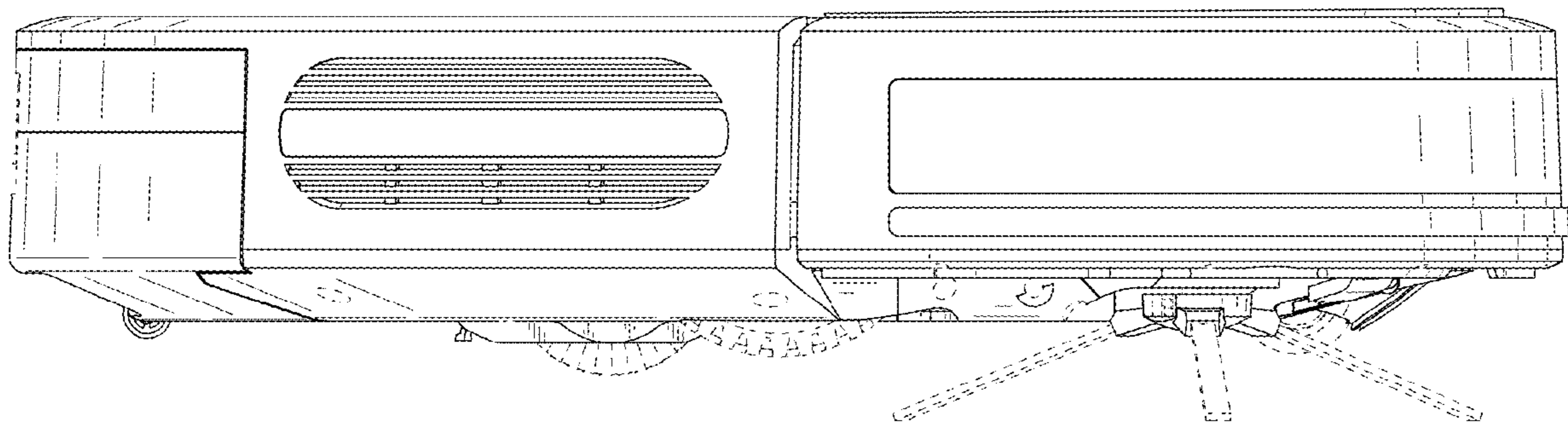


FIG. 5

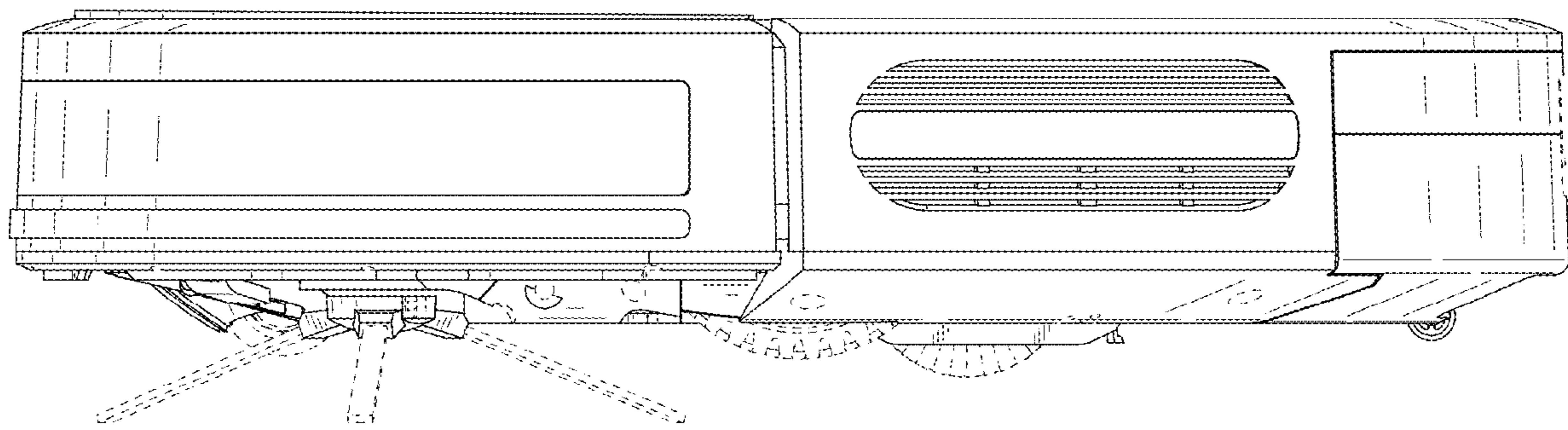


FIG. 6



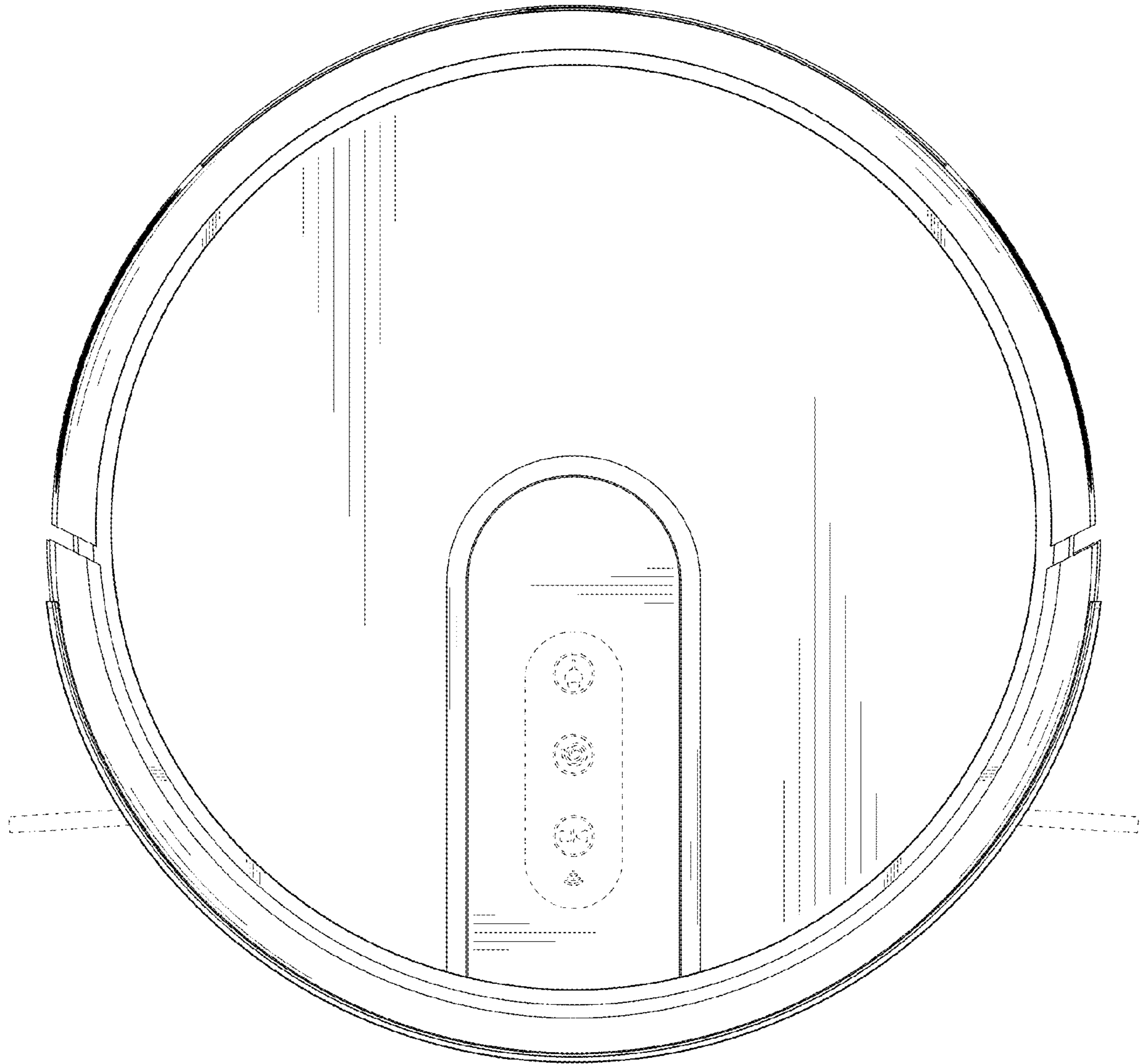


FIG. 7

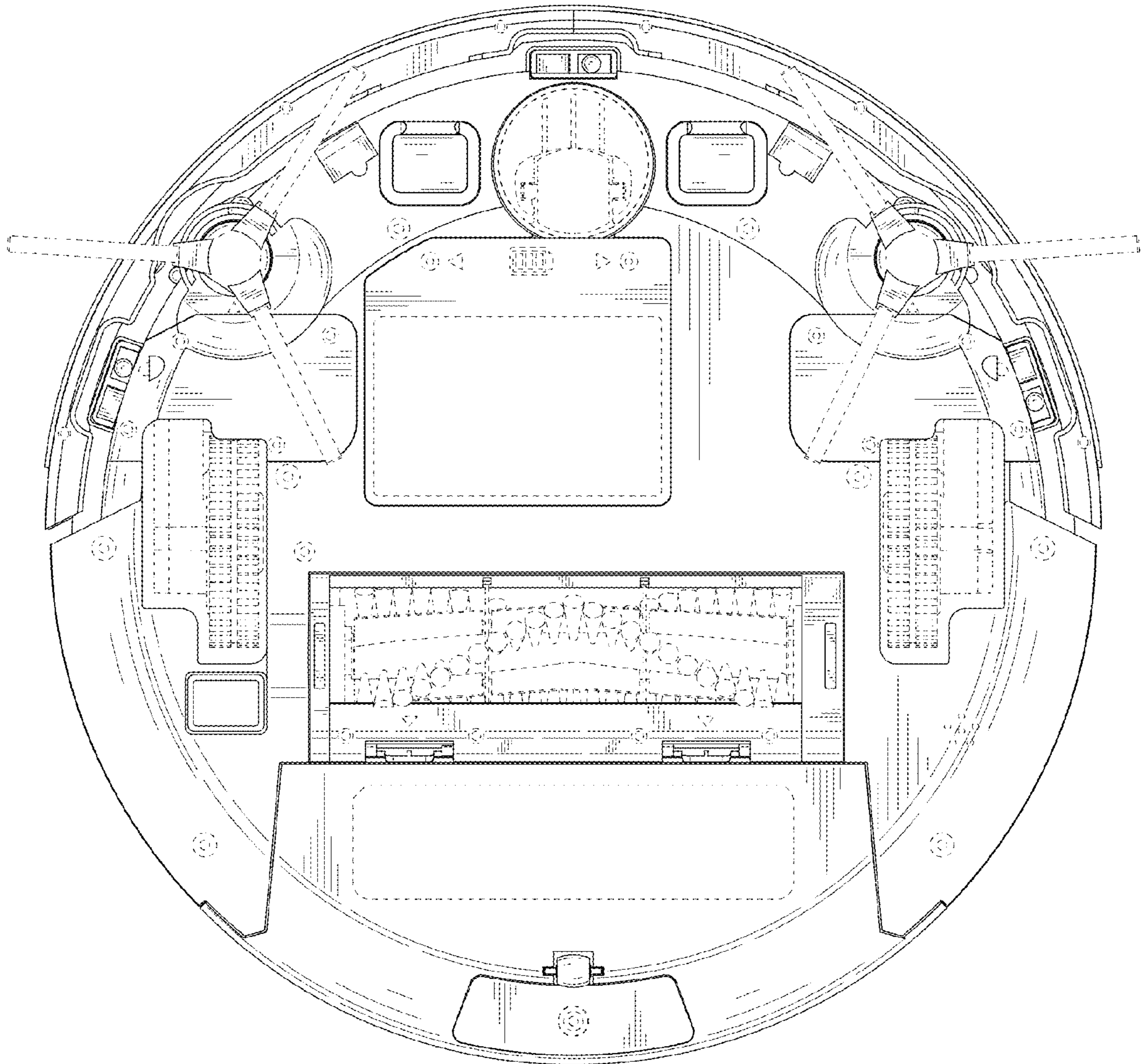


FIG. 8

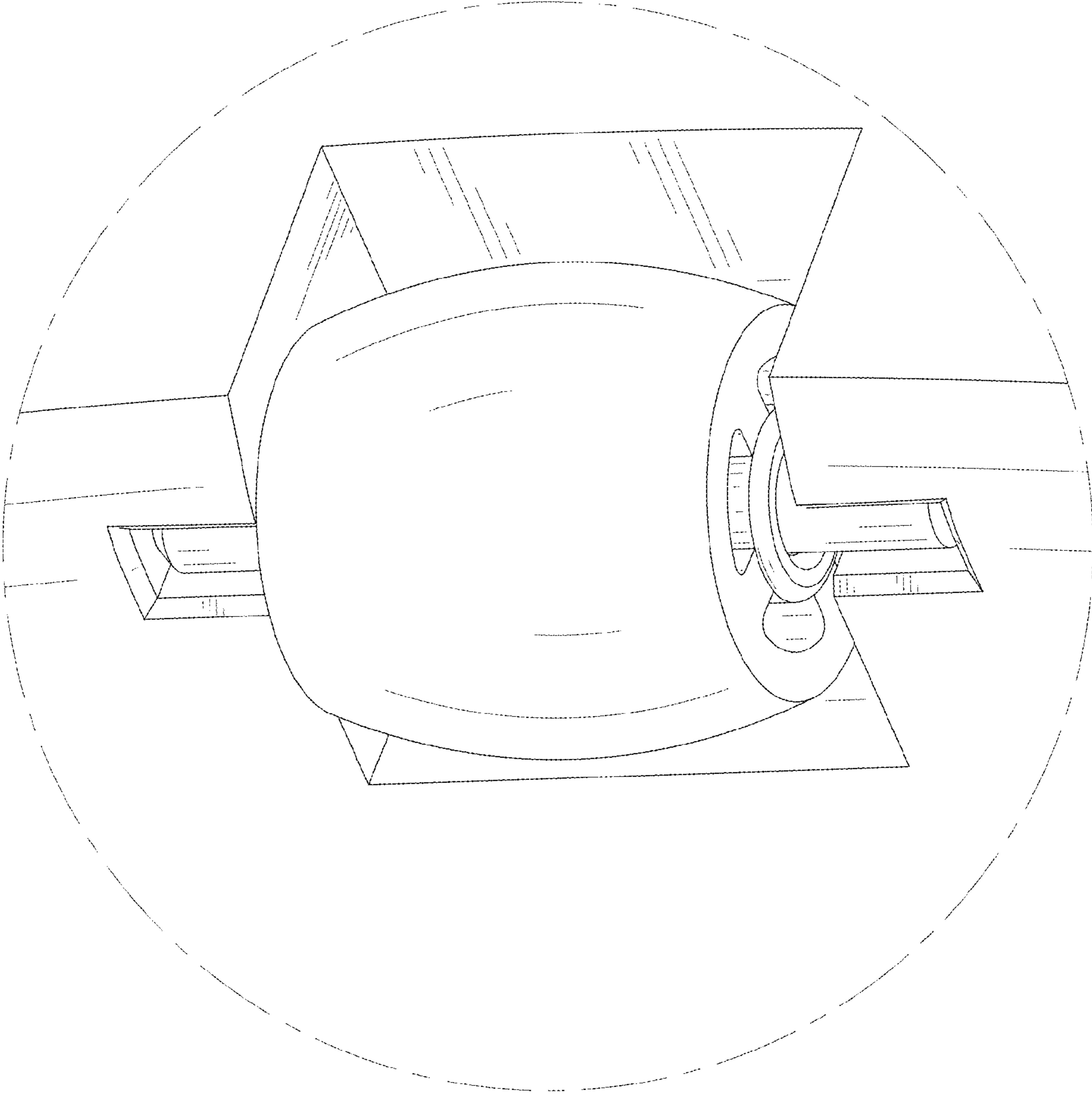


FIG. 9

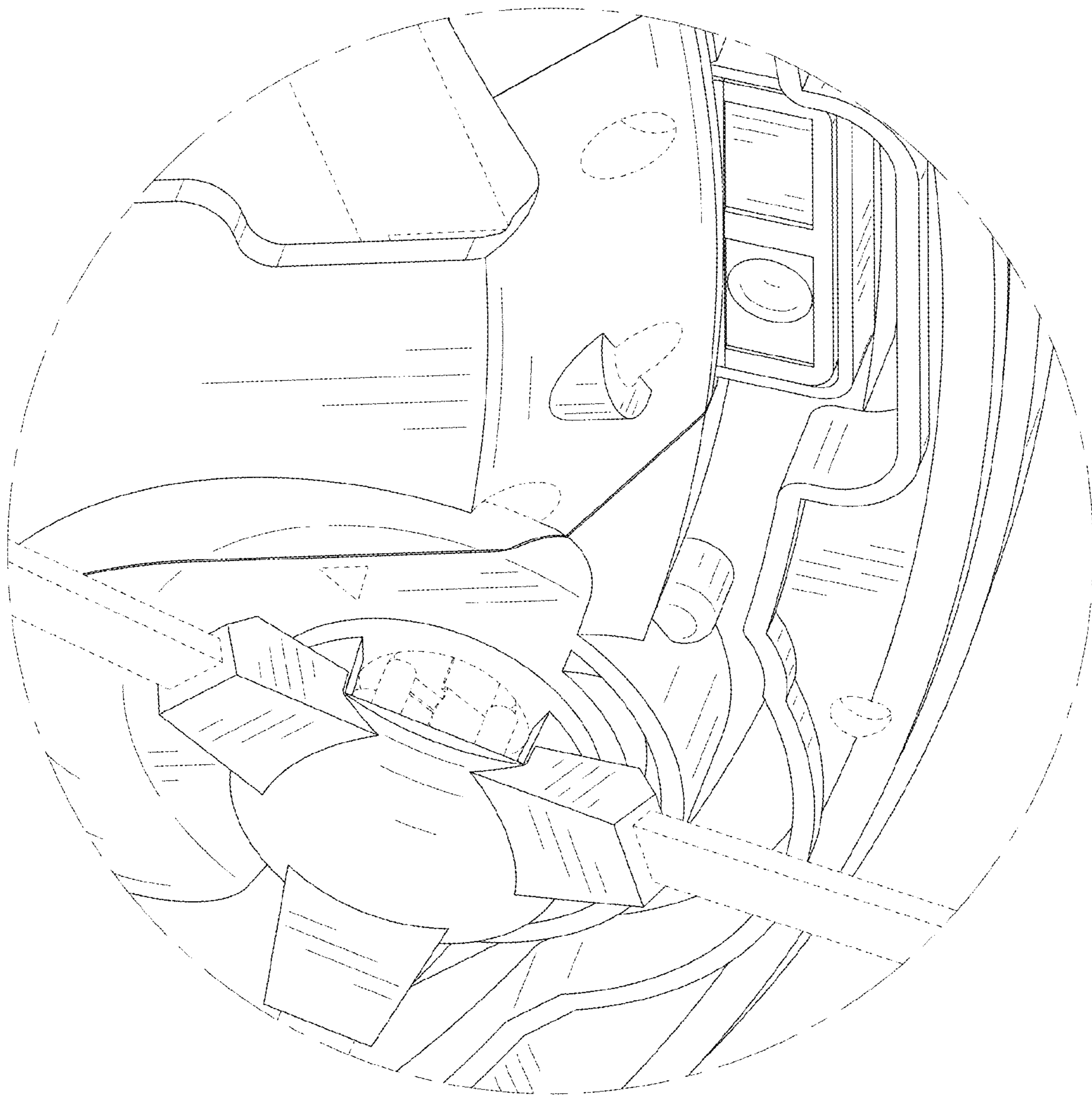


FIG. 10

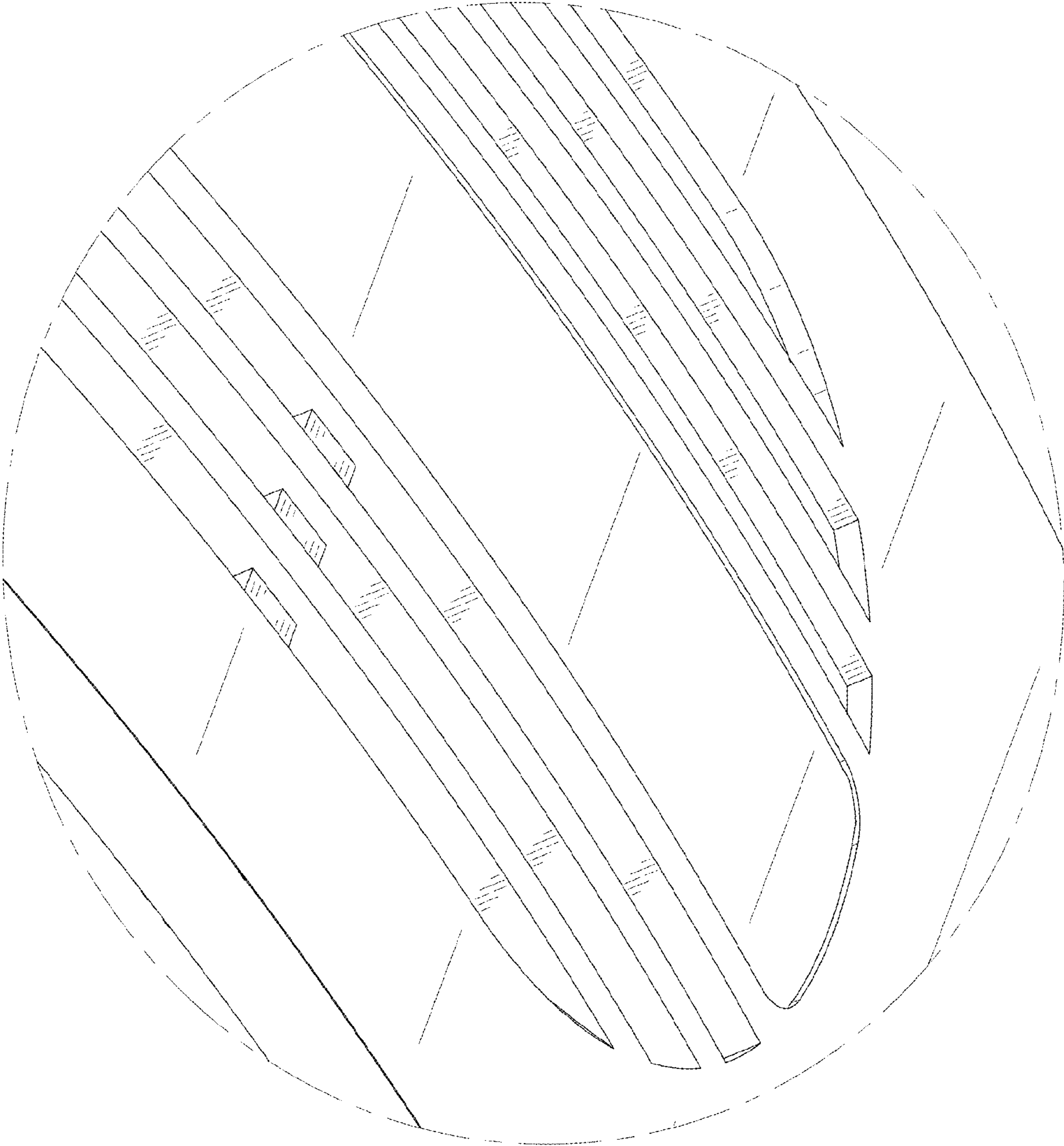


FIG. 11