



US00D975387S

(12) **United States Design Patent**  
**Hu**

(10) **Patent No.:** **US D975,387 S**  
(45) **Date of Patent:** **\*\* Jan. 10, 2023**

- (54) **EXPANDABLE PET GATE**
- (71) Applicant: **Shuo Hu**, Hubei (CN)
- (72) Inventor: **Shuo Hu**, Hubei (CN)
- (\*\*) Term: **15 Years**
- (21) Appl. No.: **29/856,314**
- (22) Filed: **Oct. 12, 2022**
- (51) **LOC (14) Cl.** ..... **30-03**
- (52) **U.S. Cl.**  
USPC ..... **D30/199; D30/119; D30/108**
- (58) **Field of Classification Search**  
USPC ..... D30/199, 108, 119; 160/40-43, 13, 15, 160/17, 87, 94-103, 105-107, 24, 10, 160/296, 305, 309, 313, 301, 315, 323.1, 160/293.1, 23.1, 317, 231.1, 290.1, 302, 160/211, 217, 218, 225, 130, 135; 49/9, 49/58-66, 128-130, 147; 119/416, 426, 119/512-514, 499, 452, 474, 484, 498, 119/502; 256/24, 1, 25, 73, 67, 26, 45, 256/33, 5, 21, 32, 19, 65.01, 31; 340/573.4; D25/38, 50, 45, 119, 39, 42, D25/43, 38.1, 48.5; 16/236, 239, 366; 52/646; 292/137, 159, 175, 150, 145, 292/152, 302, 303, DIG. 29, DIG. 38, 292/DIG. 46  
CPC .. A01K 1/0017; A01K 1/0023; A01K 1/0029; A01K 1/035; A01K 3/00; E06B 9/0638; E06B 9/00; E06B 9/01; E06B 9/02; E06B 9/04; E06B 9/08; E06B 9/11; E06B 9/115; E06B 9/15; E06B 9/40; E06B 9/0692; E06B 2009/002; E06B 2009/135; E06B 11/02; E06B 11/04; E05B 65/0014; E05B 65/0007  
See application file for complete search history.

- D626,661 S \* 11/2010 Bertsch ..... D25/48.5
- D630,803 S 1/2011 Lee et al.
- 7,874,103 B2 \* 1/2011 Yates ..... E06B 9/04  
49/226
- 8,196,348 B2 \* 6/2012 Flannery ..... E06B 9/04  
49/55
- D670,792 S \* 11/2012 Gessford ..... D25/48.5
- 8,713,851 B2 \* 5/2014 Flannery ..... E05B 65/0007  
49/55
- 9,151,108 B1 \* 10/2015 Flannery ..... E05B 65/0014
- 9,279,284 B1 \* 3/2016 Axelrod ..... E06B 7/32
- 9,394,726 B1 \* 7/2016 Flannery ..... E06B 9/04
- 9,874,056 B1 \* 1/2018 Flannery ..... E06B 11/04
- 10,267,088 B2 \* 4/2019 Marmion ..... E06B 11/02
- 10,287,819 B1 \* 5/2019 Flannery ..... E06B 11/022

(Continued)

*Primary Examiner* — Susan Moon Lee  
(74) *Attorney, Agent, or Firm* — ScienBiziP, P.C.

(57) **CLAIM**

The ornamental design for an expandable pet gate, as shown and described.

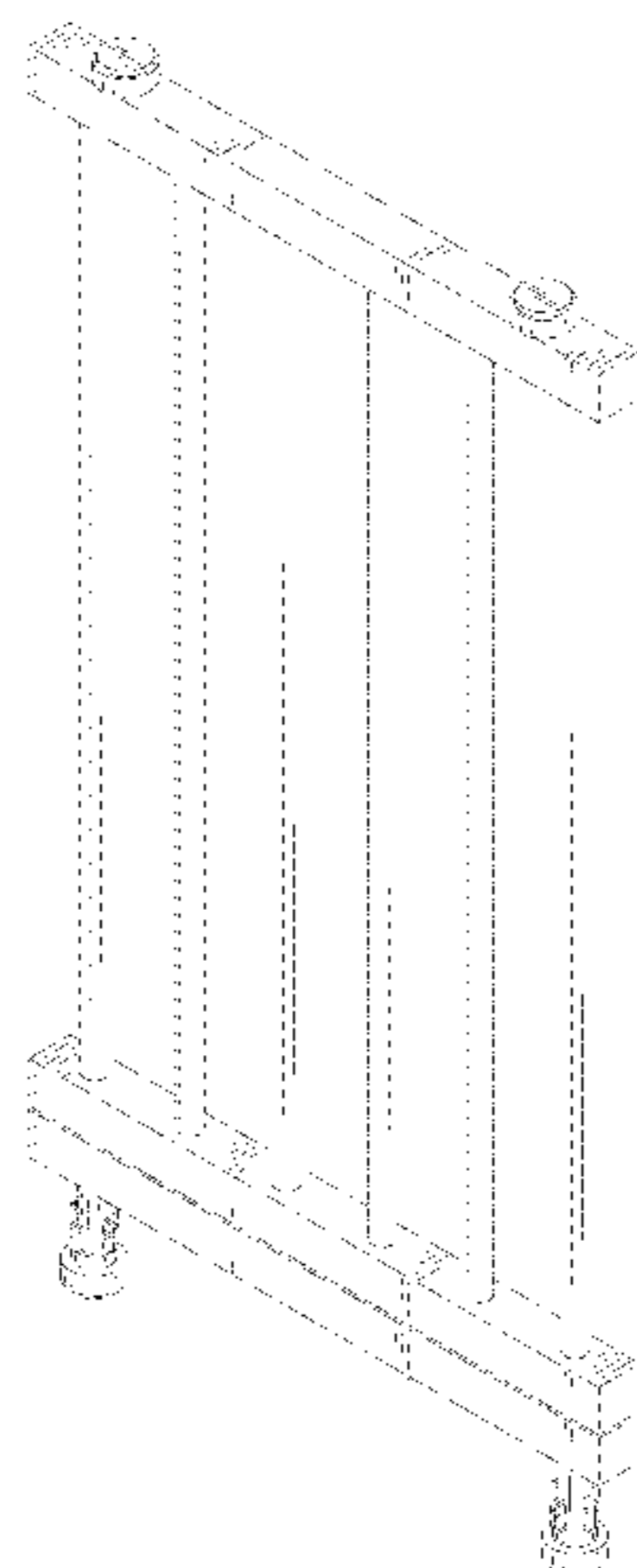
**DESCRIPTION**

FIG. 1 is a front, right and top perspective view of an expandable pet gate, showing my design.  
 FIG. 2 is a rear, left and bottom perspective view thereof.  
 FIG. 3 is a front elevation view thereof.  
 FIG. 4 is a rear elevation view thereof.  
 FIG. 5 is a left side elevation view thereof.  
 FIG. 6 is a right side elevation view thereof.  
 FIG. 7 is a top plan view thereof.  
 FIG. 8 is a bottom plan view thereof.  
 FIG. 9 is another front, right and top perspective view of FIG. 1 in another state; and,  
 FIG. 10 is another front, right and top perspective view of FIG. 1 in yet another state.

**1 Claim, 10 Drawing Sheets**

(56) **References Cited**  
U.S. PATENT DOCUMENTS

- 6,711,857 B1 \* 3/2004 Wagnitz ..... E05B 47/0607  
49/394
- D615,670 S 5/2010 Cochrane



(56)

**References Cited**

## U.S. PATENT DOCUMENTS

10,450,795	B2 *	10/2019	Raffi	.....	E05B 65/0007
10,907,382	B2 *	2/2021	Raffi	.....	E05B 59/00
11,054,096	B1 *	7/2021	Flannery	.....	F21S 8/036
11,268,320	B1 *	3/2022	Flannery	.....	E05B 65/0007
11,371,264	B2 *	6/2022	Zhang	.....	E05B 65/0007
D967,568	S *	10/2022	Zhao	.....	D30/119
2009/0013606	A1 *	1/2009	Yates	.....	E06B 9/04 49/463
2012/0055092	A1 *	3/2012	Boucquey	.....	E05B 65/0014 49/386
2012/0324792	A1 *	12/2012	Bertsch	.....	E06B 9/04 49/37
2013/0118088	A1 *	5/2013	Yates	.....	E05F 1/068 49/386
2014/0007506	A1 *	1/2014	Huang	.....	E06B 9/04 49/394
2015/0101253	A1 *	4/2015	Marsden	.....	E05B 63/0065 49/386
2017/0362894	A1 *	12/2017	Marmion	.....	E06B 11/02
2021/0180397	A1 *	6/2021	Flannery	.....	E05D 3/02

\* cited by examiner

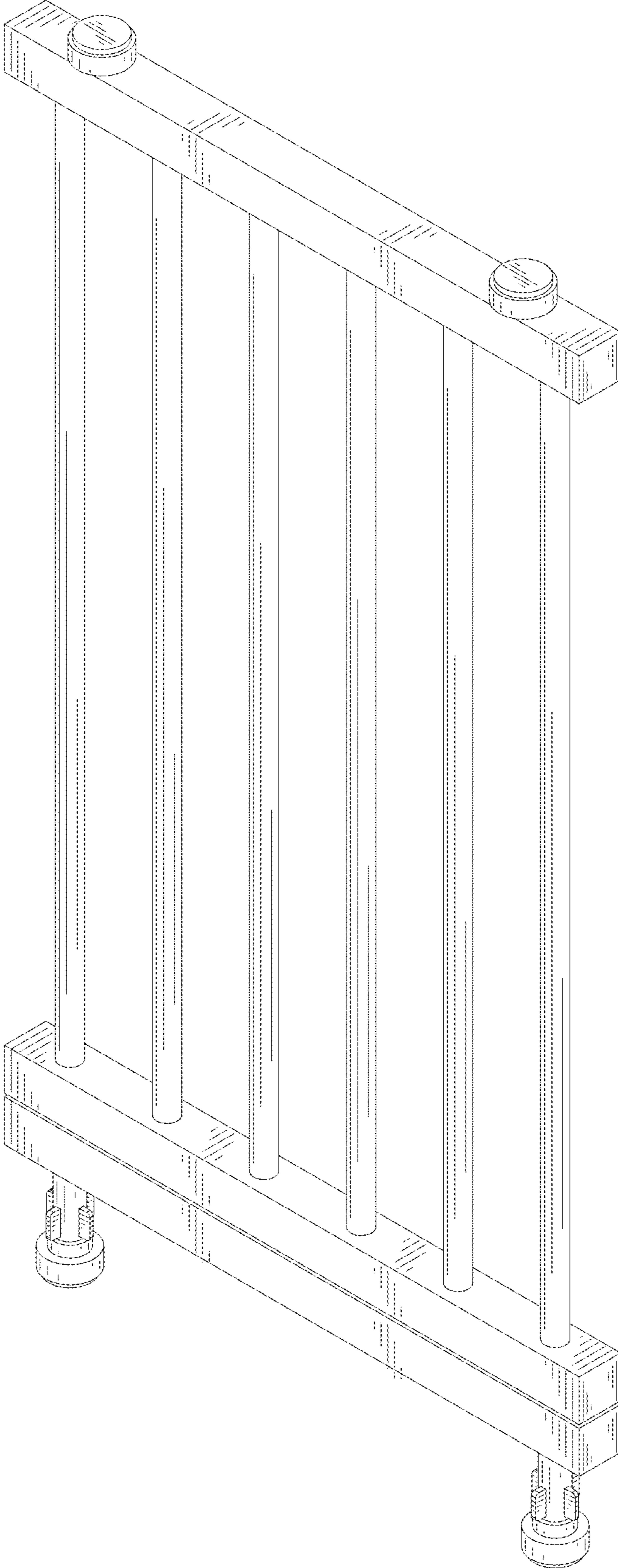


FIG. 1

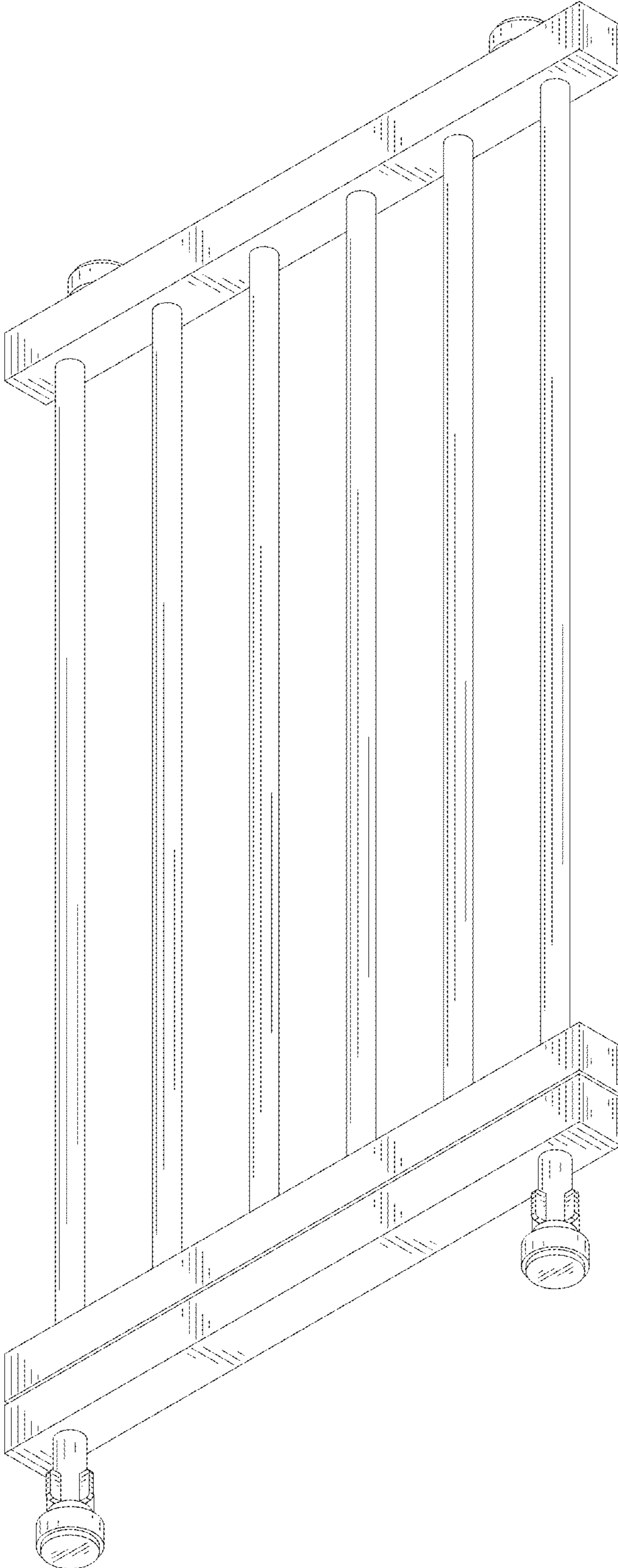


FIG. 2

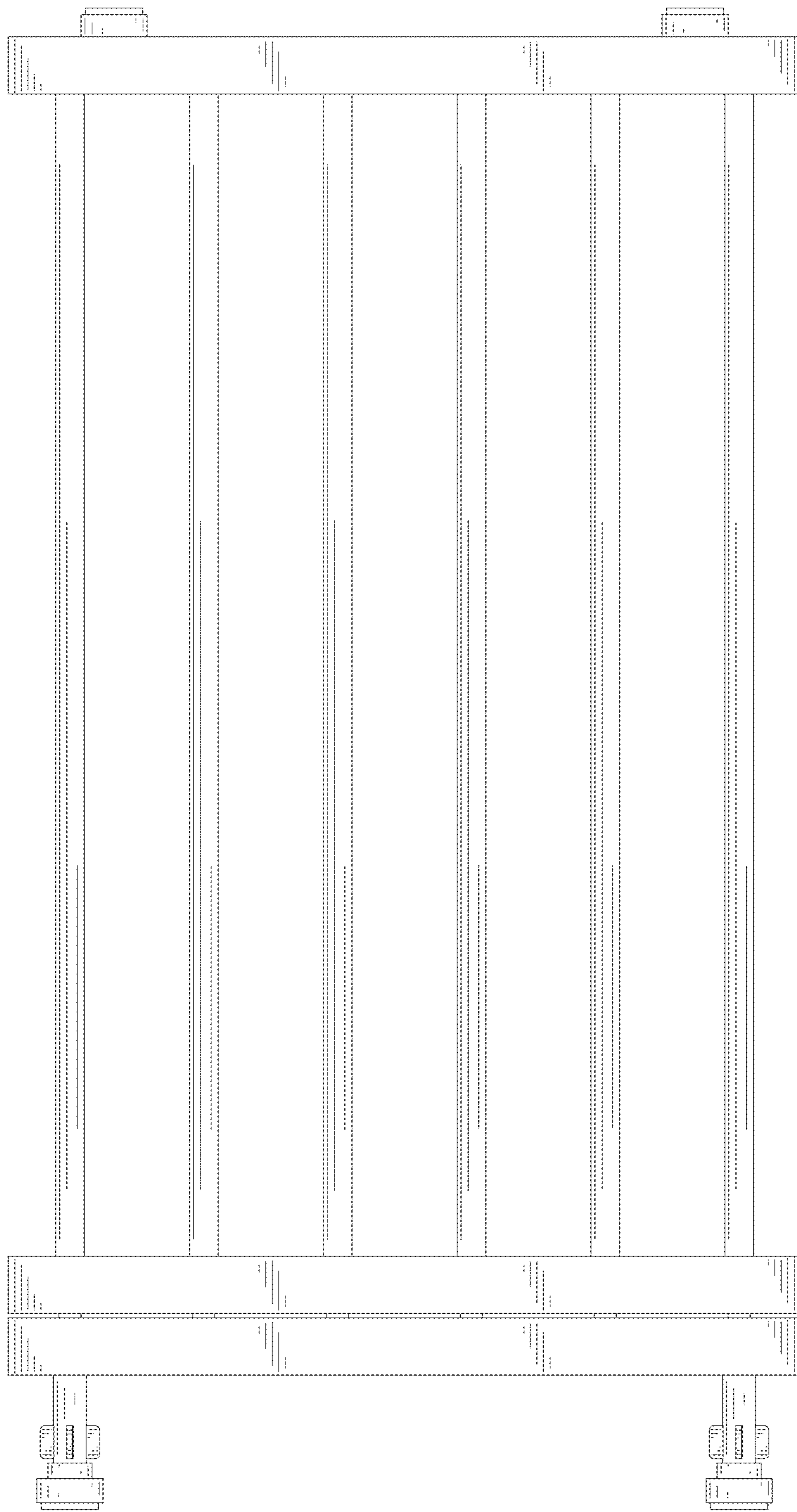


FIG. 3

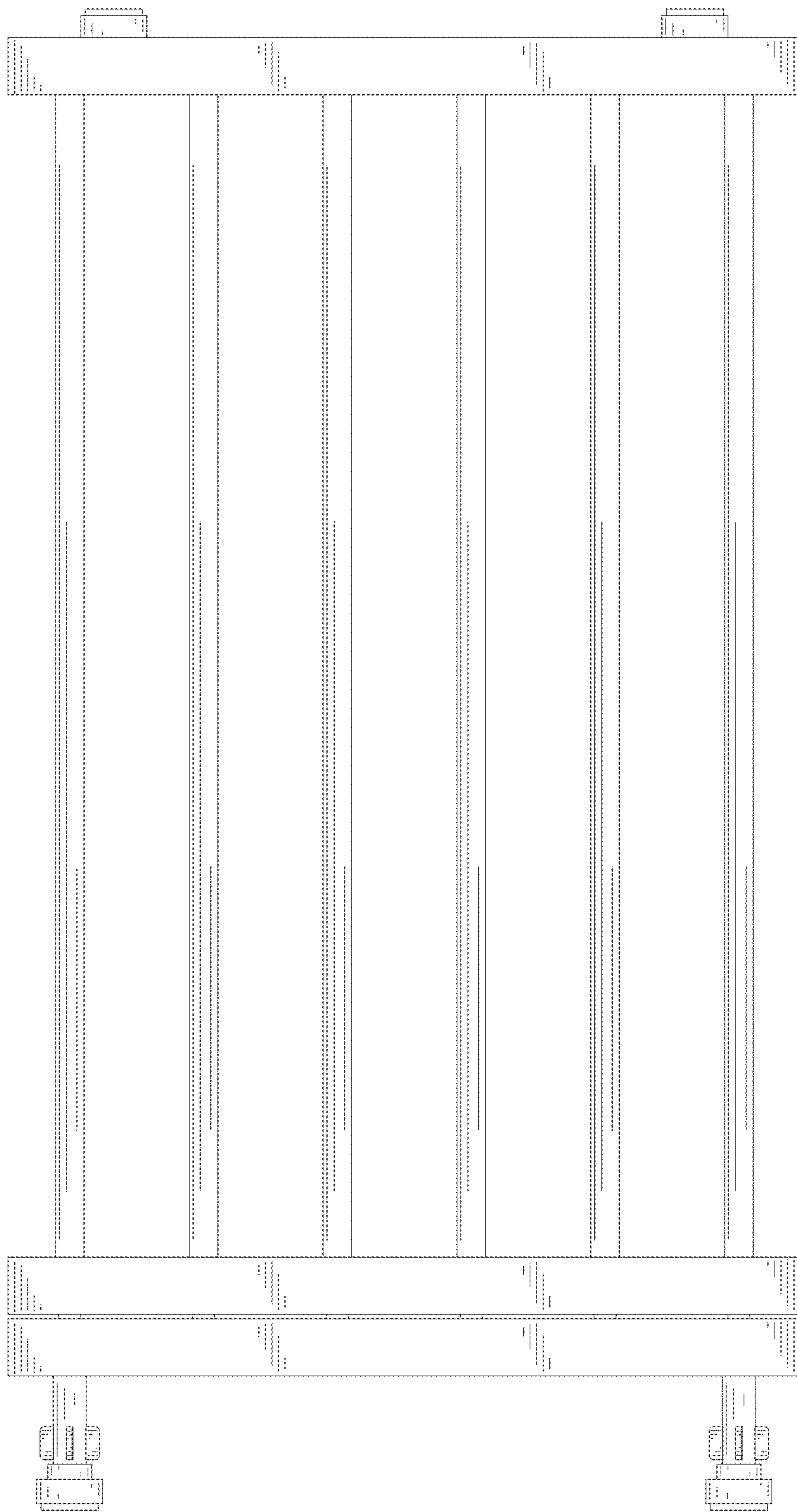


FIG. 4

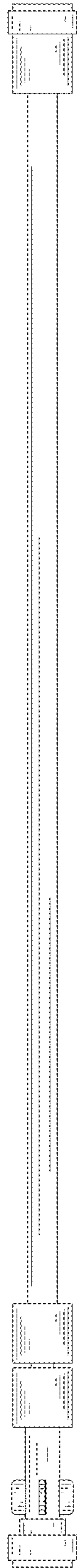


FIG. 5

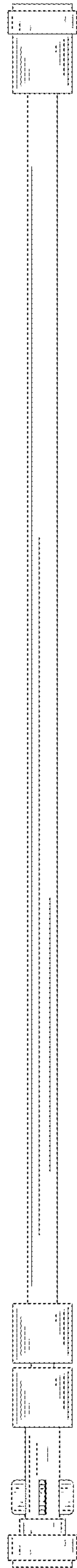


FIG. 6



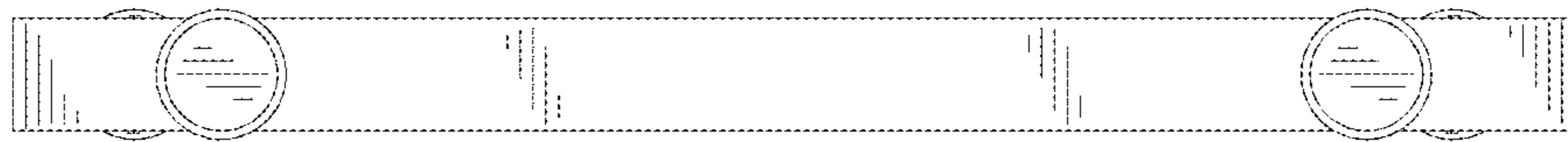


FIG. 7

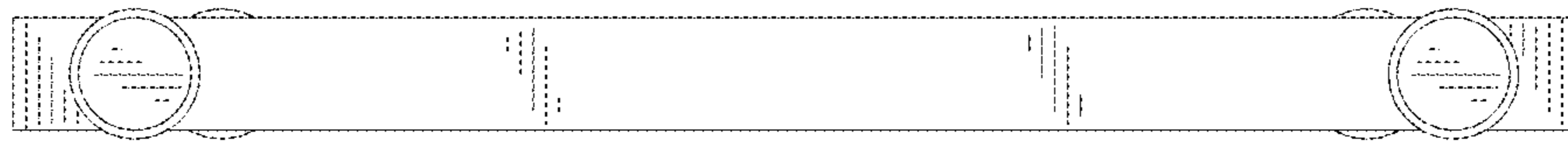


FIG. 8

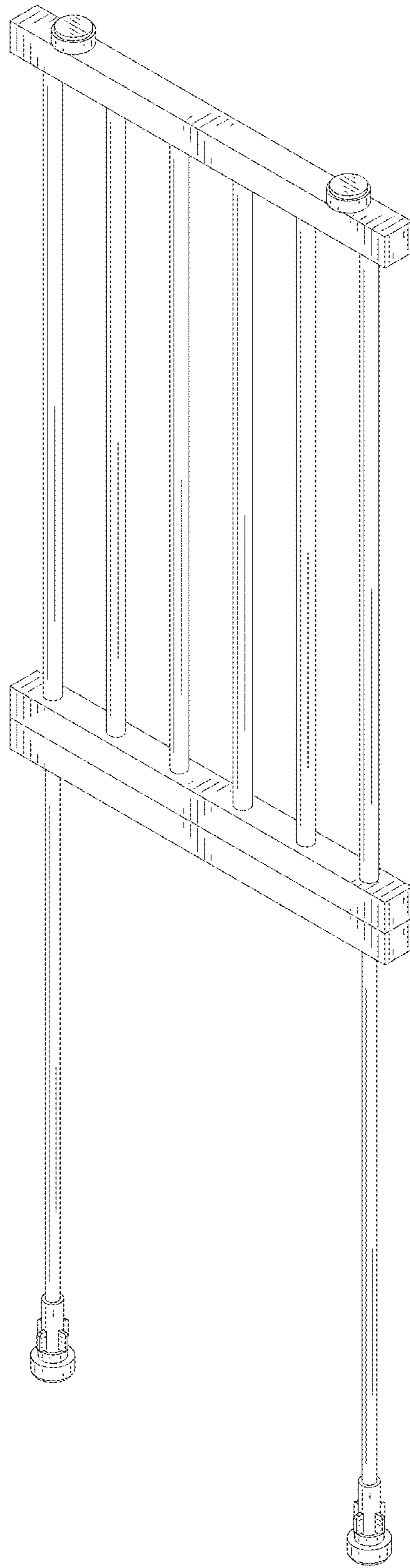


FIG. 9

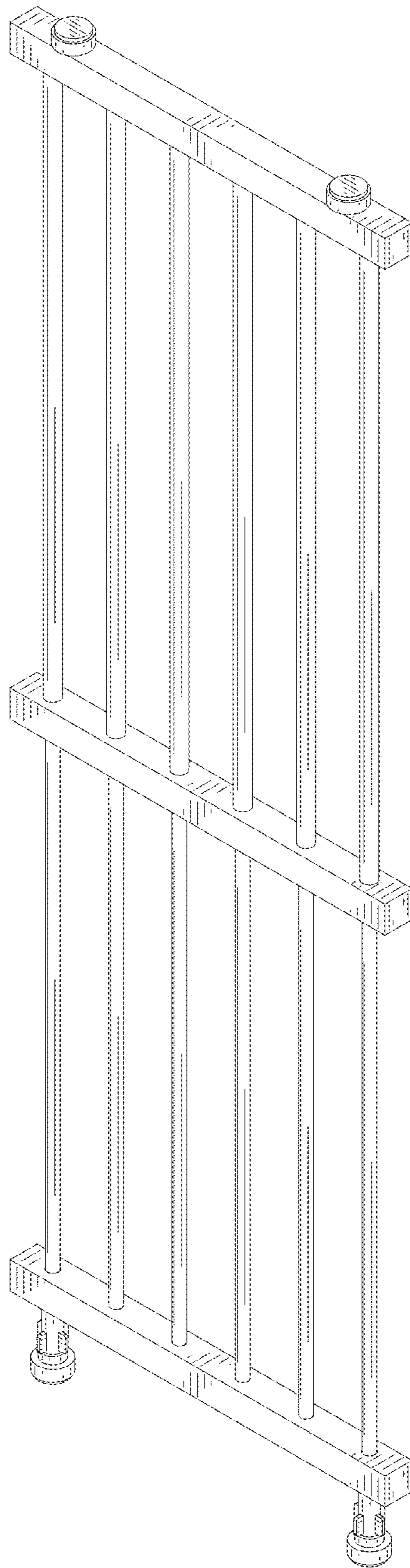


FIG. 10