



US00D975383S

(12) **United States Design Patent**  
**Smith et al.**

(10) **Patent No.:** **US D975,383 S**  
(45) **Date of Patent:** **\*\* Jan. 10, 2023**

(54) **BEZEL FOR AN ENTRY OPENING OF A LITTER DEVICE FOR DOMESTIC ANIMALS**

FOREIGN PATENT DOCUMENTS

(71) Applicant: **Automated Pet Care Products, LLC**, Auburn Hills, MI (US)

CN 305005516 \* 1/2019  
CN 209314546 U 8/2019  
(Continued)

(72) Inventors: **Jason Smith**, West Bloomfield, MI (US); **Brad Baxter**, Bloomfield Hills, MI (US)

OTHER PUBLICATIONS

(73) Assignee: **AUTOMATED PET CARE PRODUCTS, LLC**, Auburn Hills, MI (US)

Litter-Robot Automated Litter Box Testimonials\_Why Customers Love Litter-Robot, announced in YouTube on Sep. 22, 2015 [online ], [site visited May 6, 2022], Available from the internet URL: <https://www.youtube.com/watch?v=EOsMIIMRAQ8> (Year: 2015).\*

(\*\*) Term: **15 Years**

(Continued)

(21) Appl. No.: **29/755,935**

*Primary Examiner* — Jennifer L Rempfer

(22) Filed: **Oct. 23, 2020**

*Assistant Examiner* — Elizabeth Anne Glassberg

(51) **LOC (14) Cl.** ..... **30-99**

(74) *Attorney, Agent, or Firm* — The Dobrusin Law Firm, P.C.; Daniela M. Thompson-Walters

(52) **U.S. Cl.**  
USPC ..... **D30/161**

(58) **Field of Classification Search**

(57) **CLAIM**

USPC ..... D10/30; D16/219; D28/19; D30/108–109, 112–120, 161, 162; D32/6  
CPC ..... A01K 1/01; A01K 1/0107; A01K 1/011; A01K 1/0114; A01K 1/0117; A01K 1/0121; A01K 1/0125; A01K 1/0128; A01K 1/0132; A01K 1/0135; A01K 1/0139; A01K 1/0142; A01K 1/0236; A01K 1/0272; A01K 1/029; A01K 1/033; A01K 1/034; A01K 1/035; A01K 1/0035; A45D 20/44; A45D 20/46  
See application file for complete search history.

We claim the ornamental design for a bezel for an entry opening of a litter device for domestic animals, as shown and described.

(56) **References Cited**

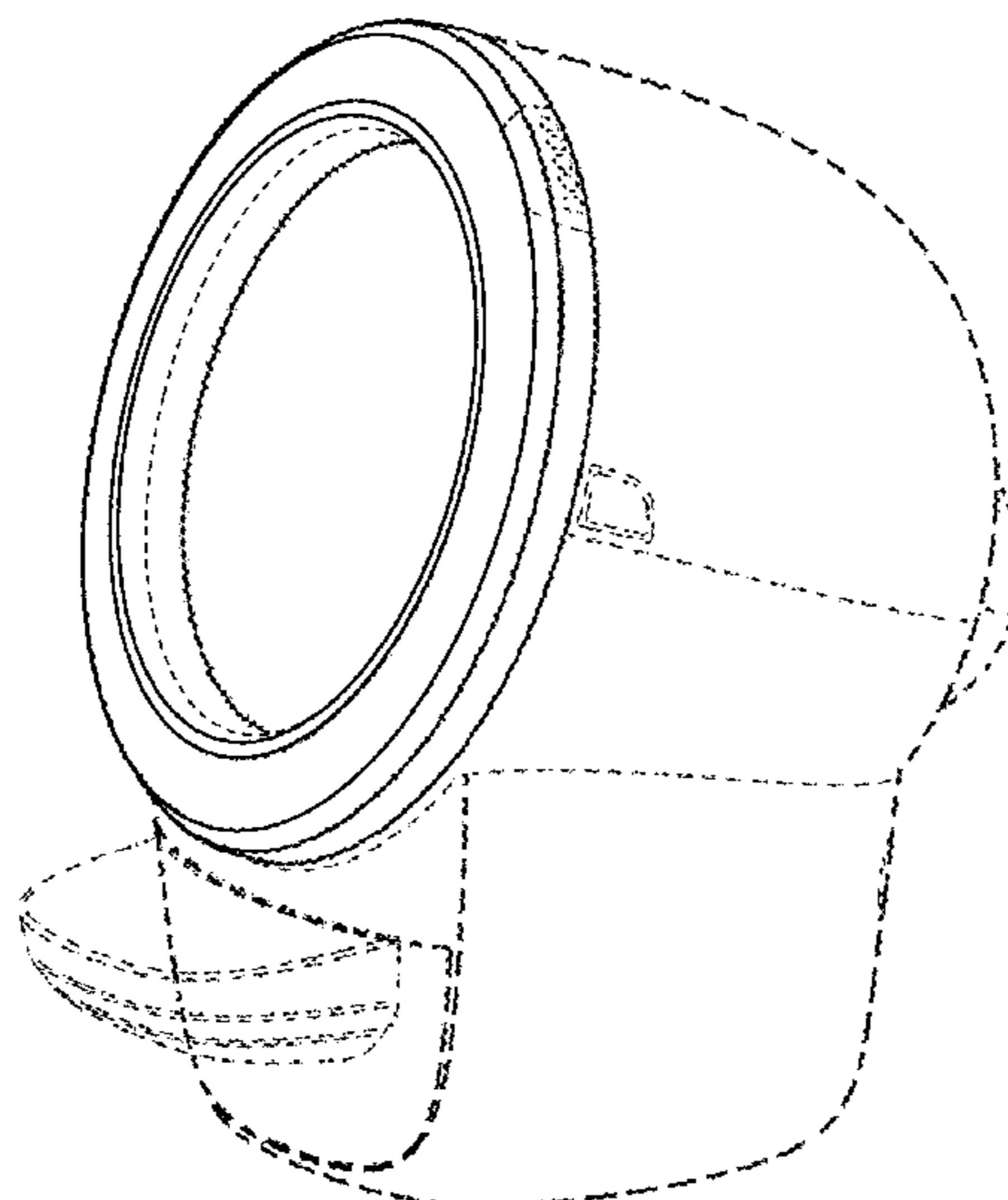
**DESCRIPTION**

U.S. PATENT DOCUMENTS

D156,991 S \* 1/1950 Perl ..... A01K 1/0114  
D32/6  
3,027,654 A \* 4/1962 Kremer ..... A45D 20/20  
34/96  
4,120,264 A 10/1978 Carter  
(Continued)

FIG. 1 is a front perspective view of a litter device for domestic animals with a bezel about the entry opening; FIG. 2 is a rear perspective view thereof; FIG. 3 is a front view thereof; FIG. 4 is a rear view of thereof; FIG. 5 is a left side view thereof; FIG. 6 is a right view thereof; FIG. 7 is a top view thereof; and, FIG. 8 is a bottom view thereof. The broken lines depict features of the bezel for an entry opening and the litter device for domestic animals that form no part of the design claim.

**1 Claim, 8 Drawing Sheets**



(56)

## References Cited

## U.S. PATENT DOCUMENTS

5,107,797 A \* 4/1992 LaRoche ..... A01K 1/0114  
209/296

5,458,090 A 10/1995 Favreau

5,662,066 A 9/1997 Reitz

6,126,015 A 10/2000 Haymaker

6,463,881 B2 \* 10/2002 Reitz ..... A01K 1/0114  
119/170

7,017,519 B1 \* 3/2006 Deasy ..... A01K 1/011  
119/166

D525,147 S \* 7/2006 Sogoyan ..... D10/38

D564,144 S \* 3/2008 Kwon ..... D32/6

7,647,889 B2 1/2010 Horanoff

D612,554 S \* 3/2010 Seager ..... A45D 20/20  
D30/161

D665,543 S \* 8/2012 Kim ..... A01K 1/0107  
D32/6

8,413,608 B2 \* 4/2013 Sharp ..... A01K 1/0107  
119/166

D681,885 S \* 5/2013 Pitter ..... A01K 1/0114  
D30/129

8,485,131 B2 7/2013 Veness

D688,013 S \* 8/2013 Kim ..... A01K 1/011  
D32/6

8,757,094 B2 \* 6/2014 Baxter ..... A01K 1/0114  
119/168

D753,886 S \* 4/2016 Veness ..... A01K 1/0114  
D30/161

9,433,185 B2 9/2016 Baxter

9,504,228 B1 11/2016 Ciotic

9,565,830 B1 2/2017 Caico

D824,121 S \* 7/2018 Luo ..... A01K 1/011  
D32/6

10,098,315 B2 \* 10/2018 Couto ..... A01K 1/0114

D898,304 S \* 10/2020 Tu ..... D30/161

D923,887 S \* 6/2021 Wang ..... D30/161

2002/0139312 A1 \* 10/2002 Reitz ..... A01K 1/0114  
119/165

2013/0206075 A1 8/2013 Huck

2013/0333625 A1 \* 12/2013 Baxter ..... A01K 1/011  
119/166

2018/0303057 A1 \* 10/2018 Guoqiang ..... A01K 1/0107

2019/0364840 A1 12/2019 Baxter

2020/0060221 A1 \* 2/2020 Fan ..... A01K 1/0114

2020/0245587 A1 \* 8/2020 Leech ..... A01K 1/011

2020/0281154 A1 \* 9/2020 Li ..... A01K 1/011

2022/0104452 A1 \* 4/2022 Gong ..... A01K 1/0114

2022/0125006 A1 \* 4/2022 Smith ..... A01K 1/0114

## FOREIGN PATENT DOCUMENTS

CN 209518062 U 10/2019

CN 209732234 U 12/2019

CN 305532892 \* 1/2020

CN 305762379 \* 5/2020

CN 305999762 \* 8/2020

EP 2676543 B1 12/2018

FR 2687285 A1 8/1993

FR 3070822 A1 3/2019

WO 98/01374 A2 1/1998

WO 02/054860 A1 7/2002

WO 2016/190765 A1 12/2016

## OTHER PUBLICATIONS

Morus Zero-Ultrafast Countertop Tumble Dryer, announced in YouTube on Jun. 18, 2019 [online], [site visited May 9, 2022], Available from the internet URL: <https://www.youtube.com/watch?v=r063llmUXi8> (Year: 2019).\*

Cat Litter Boxes\_Pet Toilet Creative Spherical Cat Litter Pot, available in Amazon.ca, date first available Aug. 15, 2020 [online], [site visited May 6, 2022], Available from the internet URL: <https://www.amazon.ca/Creative-Spherical-Personality-Enclosed-Automatic/dp/B08FXZQLM7?th=1> (Year: 2020).\*

Copending PCT Application No. PCT/US2020/029776 filed on Apr. 24, 2020.

Co-pending Design U.S. Appl. No. 29/749,988, filed Sep. 10, 2020.

Co-pending Design U.S. Appl. No. 29/755,931, filed Oct. 23, 2020.

Co-pending Design U.S. Appl. No. 29/756,266, filed Oct. 27, 2020.

International Search Report and Written Opinion, dated Sep. 30, 2020, PCT Application No. PCT/US2020/029776.

Aimicat available at <https://aimicat.com/>. As accessed on Sep. 9, 2020.

Catgloo available at <http://pethealthintec.com/>. As accessed on Sep. 9, 2020.

Catlink available at <https://en.xiaomitoday.it/catlink-automatic-litter-box-youth.html>. As accessed on Sep. 9, 2020.

Circle Zero available at <https://plutocirclezero.com/>. As accessed on Sep. 9, 2020.

Igloo available at <https://www.indiegogo.com/projects/igloo-reinvent-affordable-auto-cat-litter-box/#/>. As accessed on Sep. 9, 2020.

Meet available at <https://www.slashpets.com/robotic-cat-litter-box/>. As Accessed on Sep. 9, 2020.

Petato Footloose available at <https://www.kickstarter.com/projects/petato/footloose-next-gen-automatic-and-health-tracking-c>. As accessed on Sep. 9, 2020.

Petree available at <https://petreelitterboxes.com/>. As accessed on Sep. 9, 2020.

\* cited by examiner

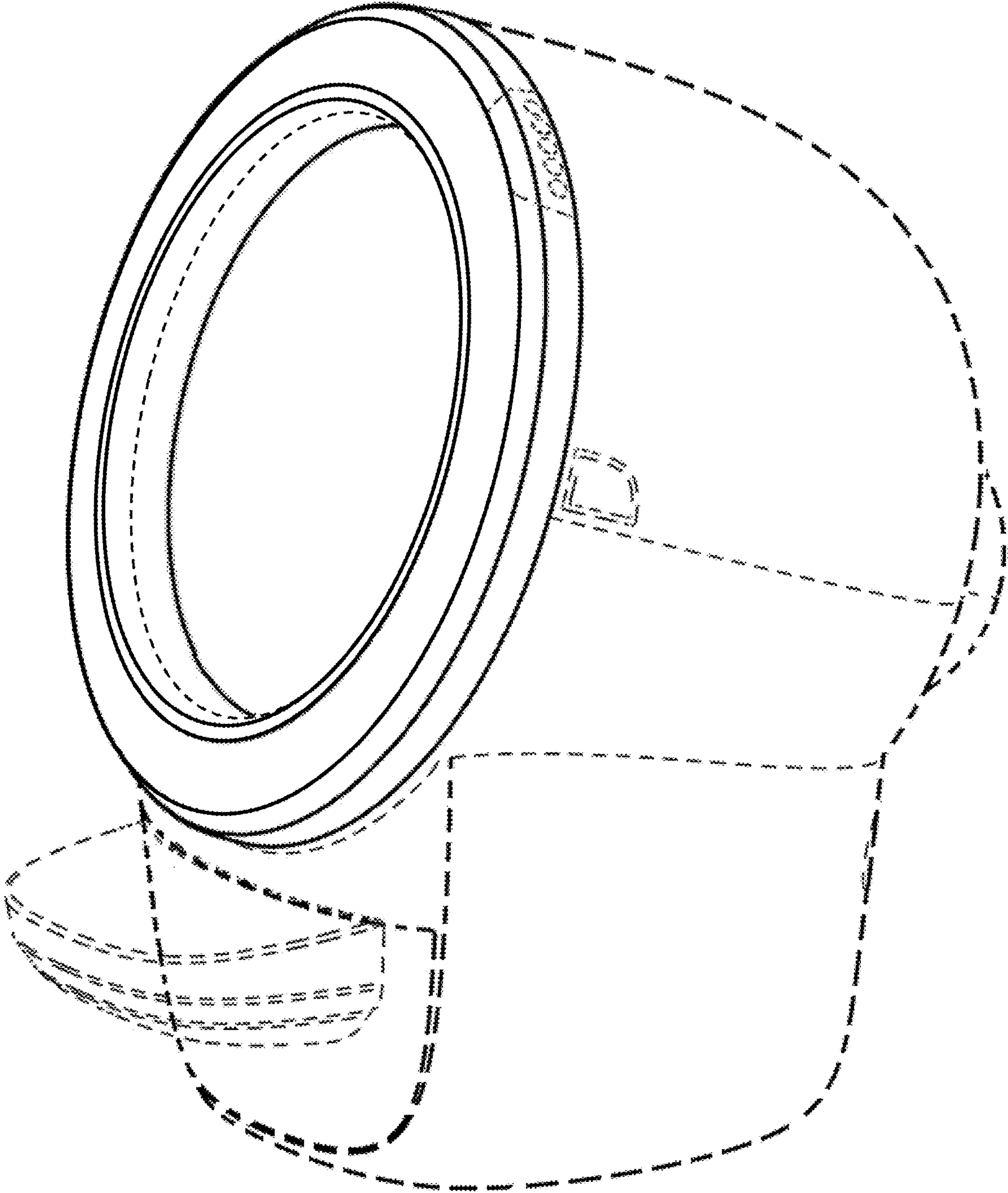
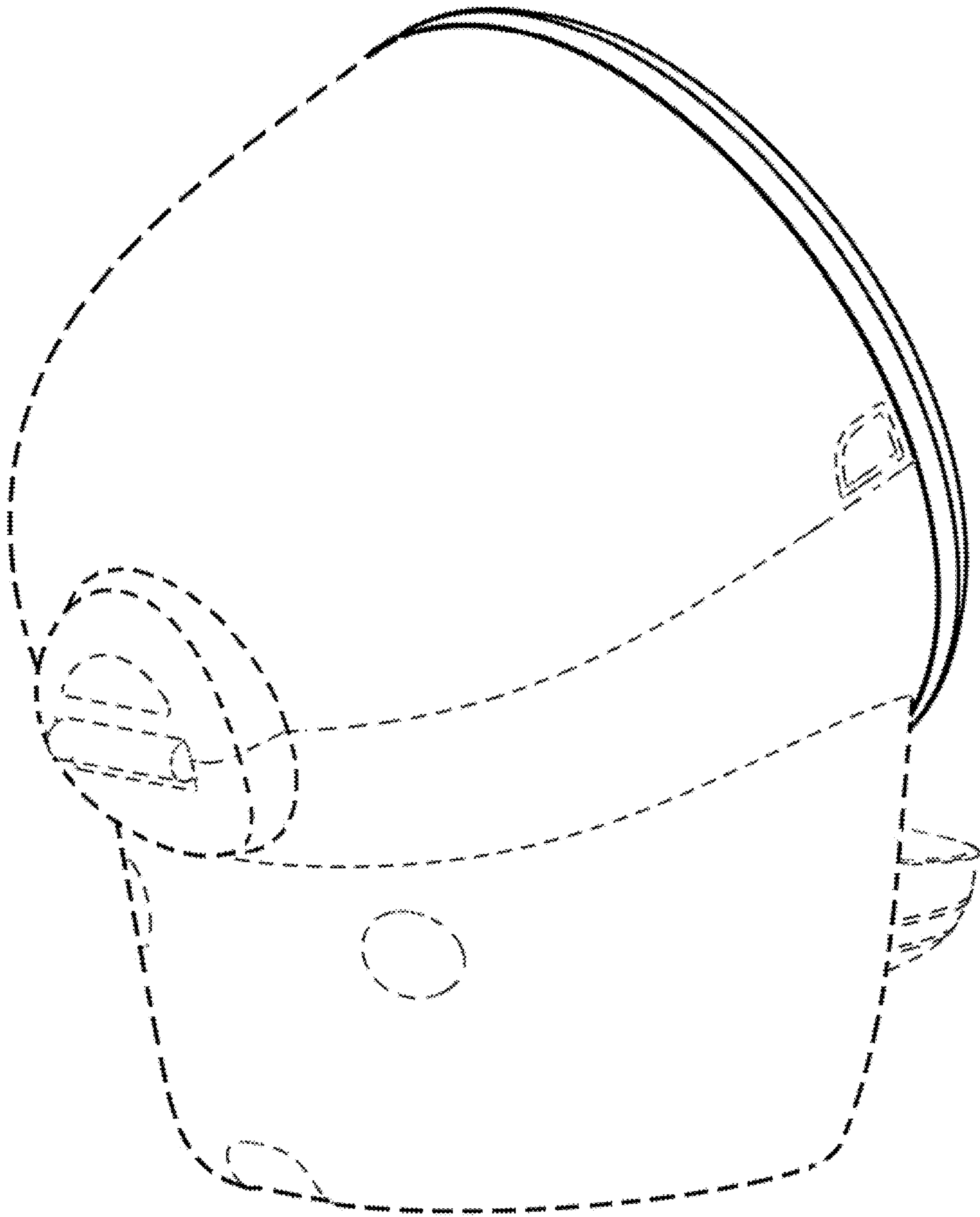


FIG.-1



**FIG.-2**

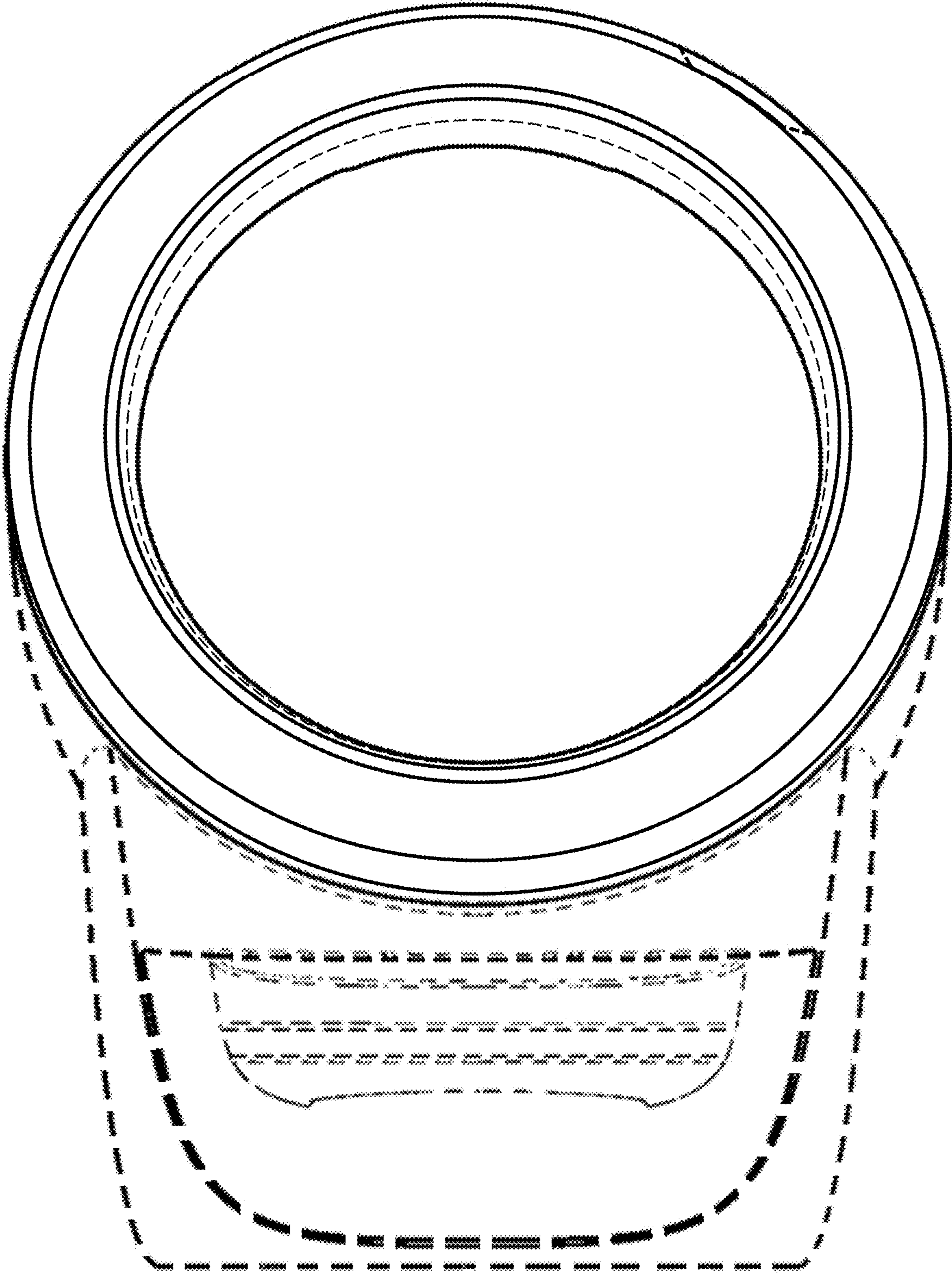


FIG.-3

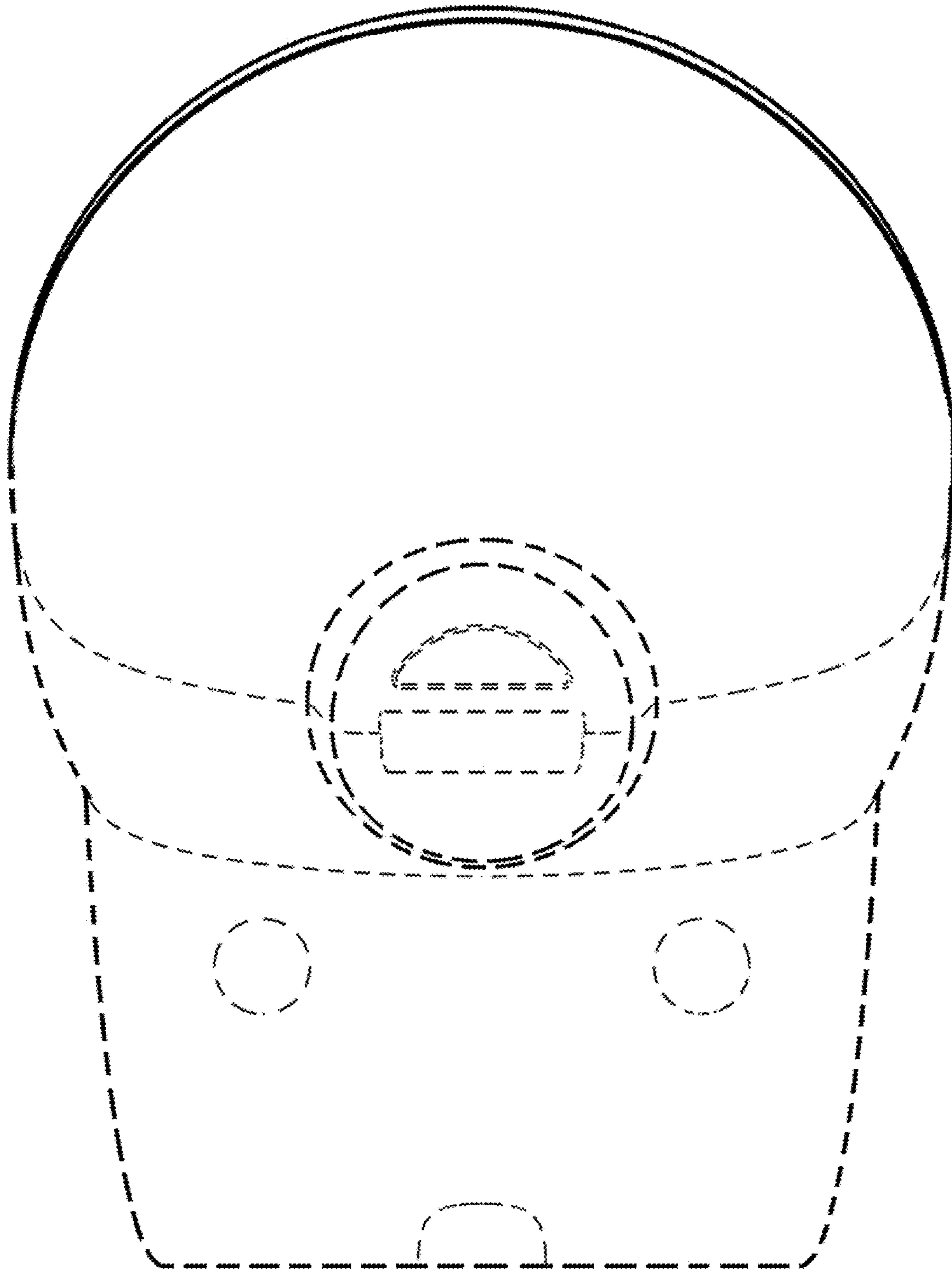


FIG.-4

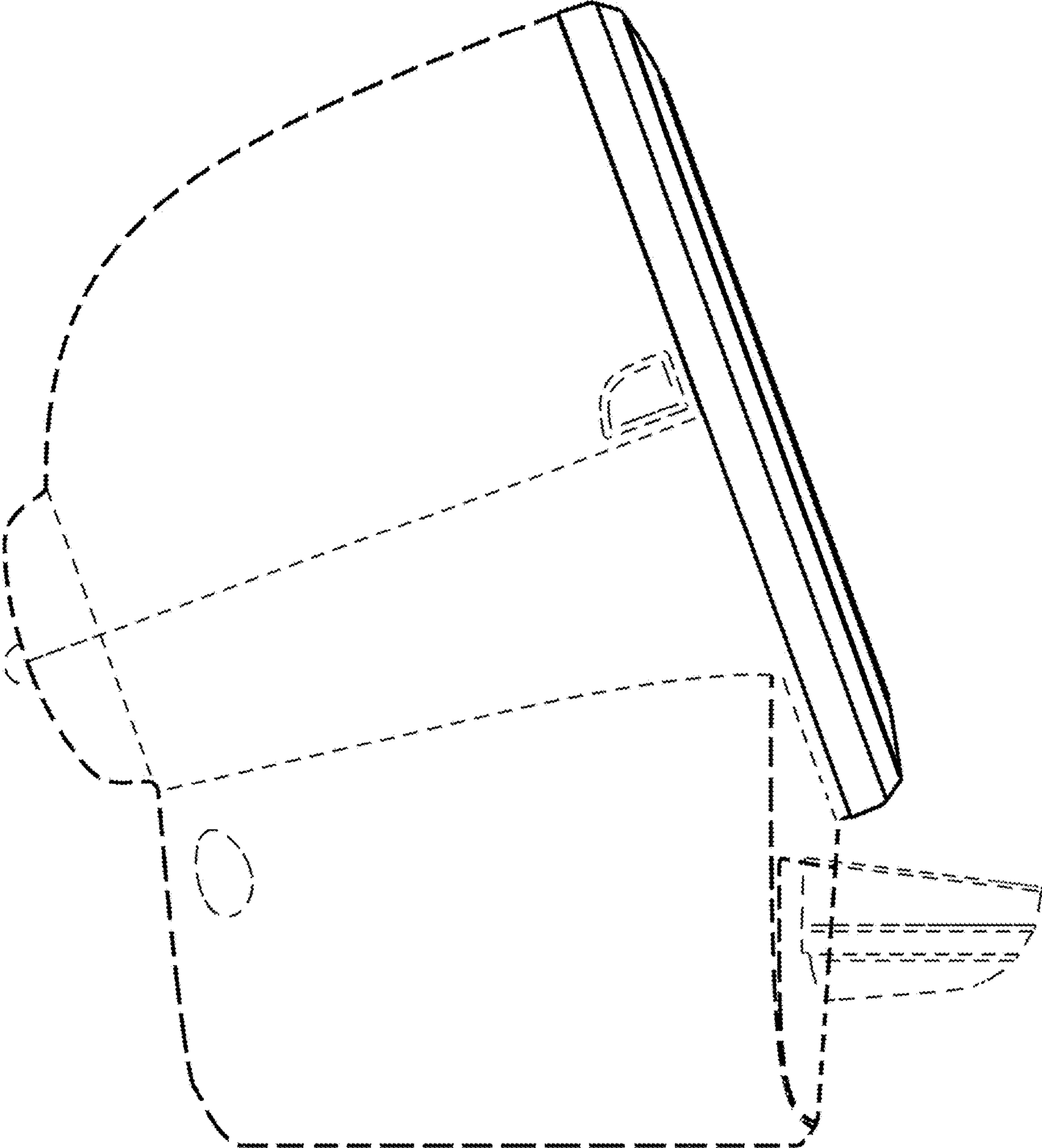


FIG.-5

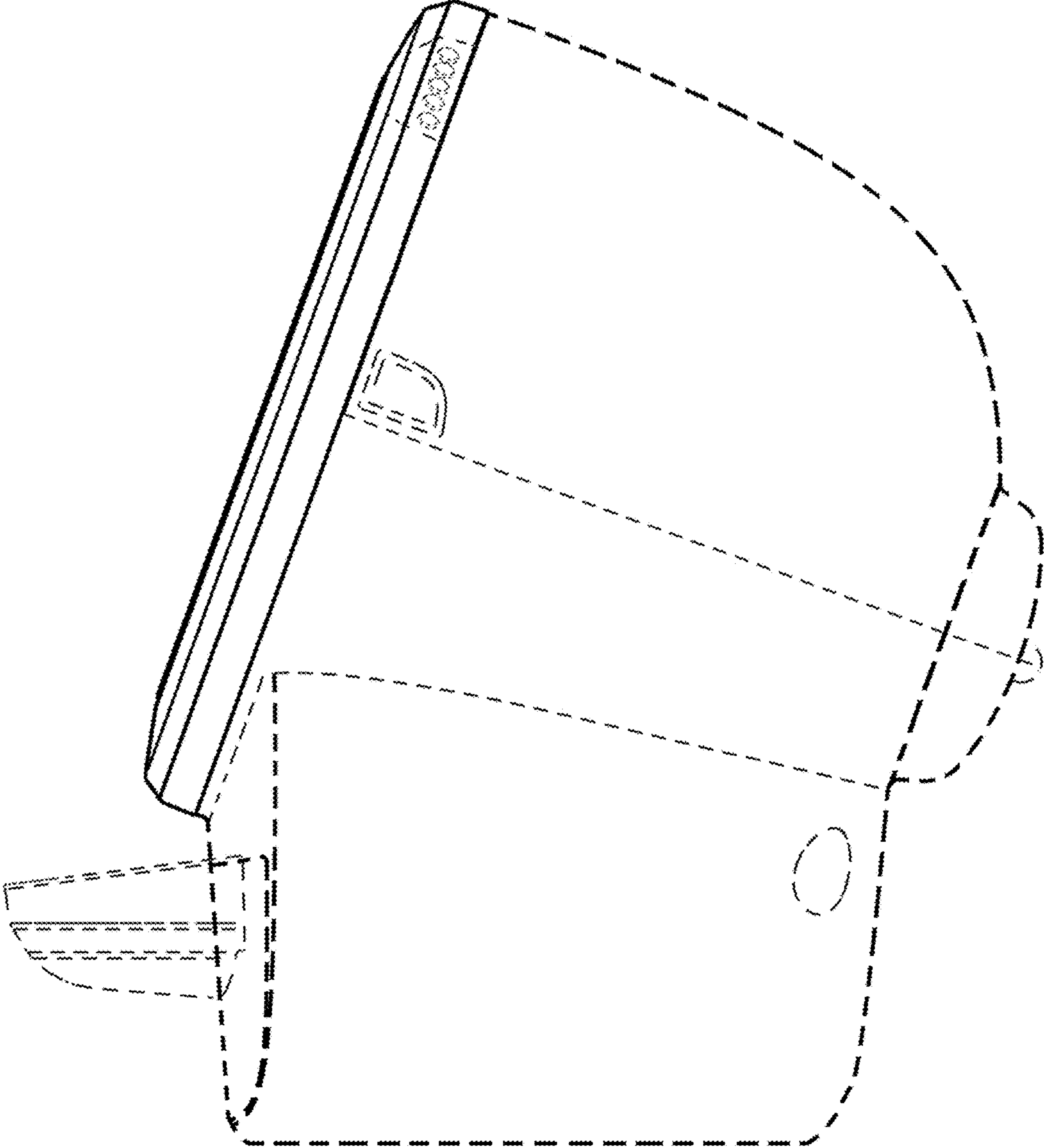


FIG.-6



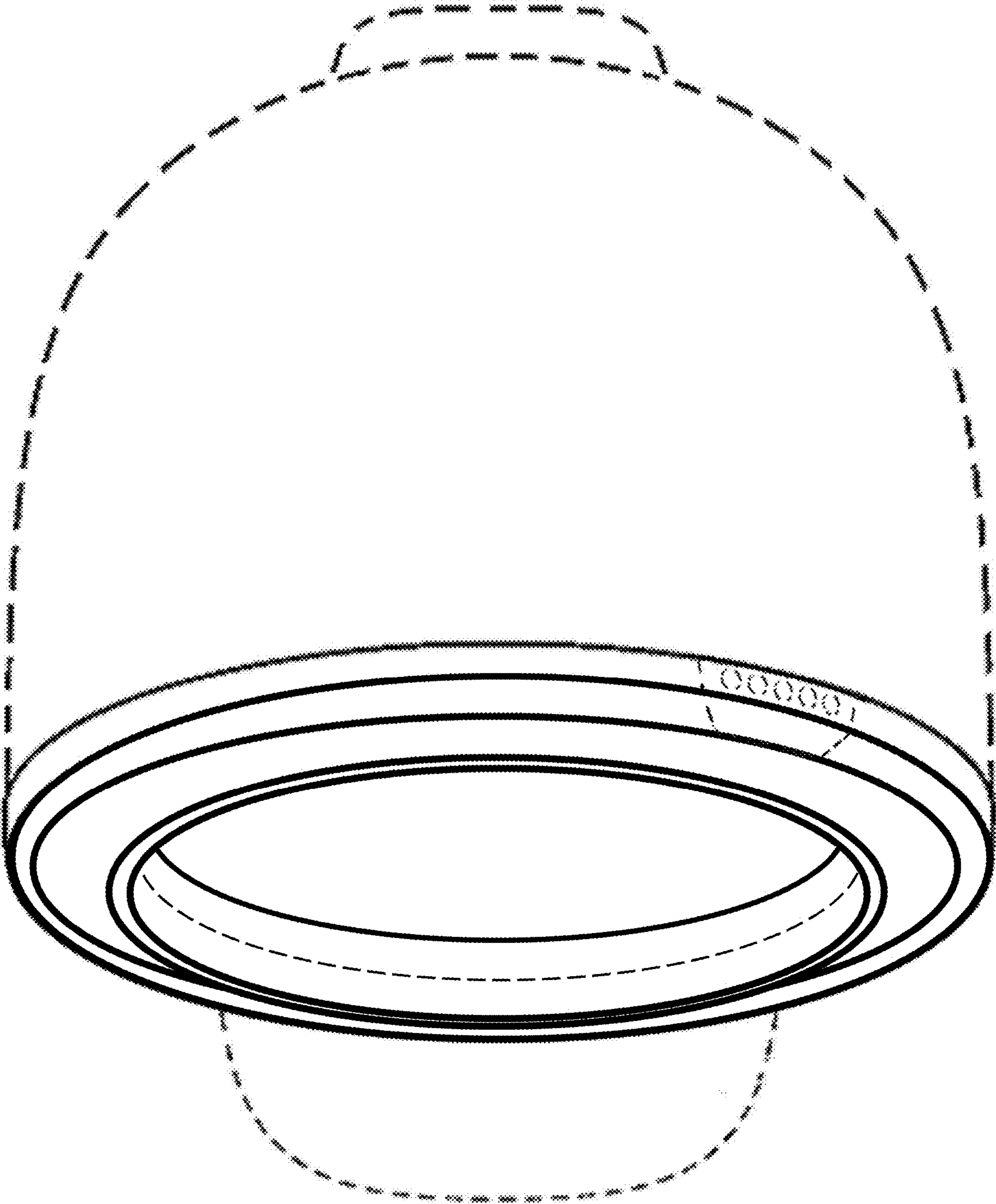


FIG.-7

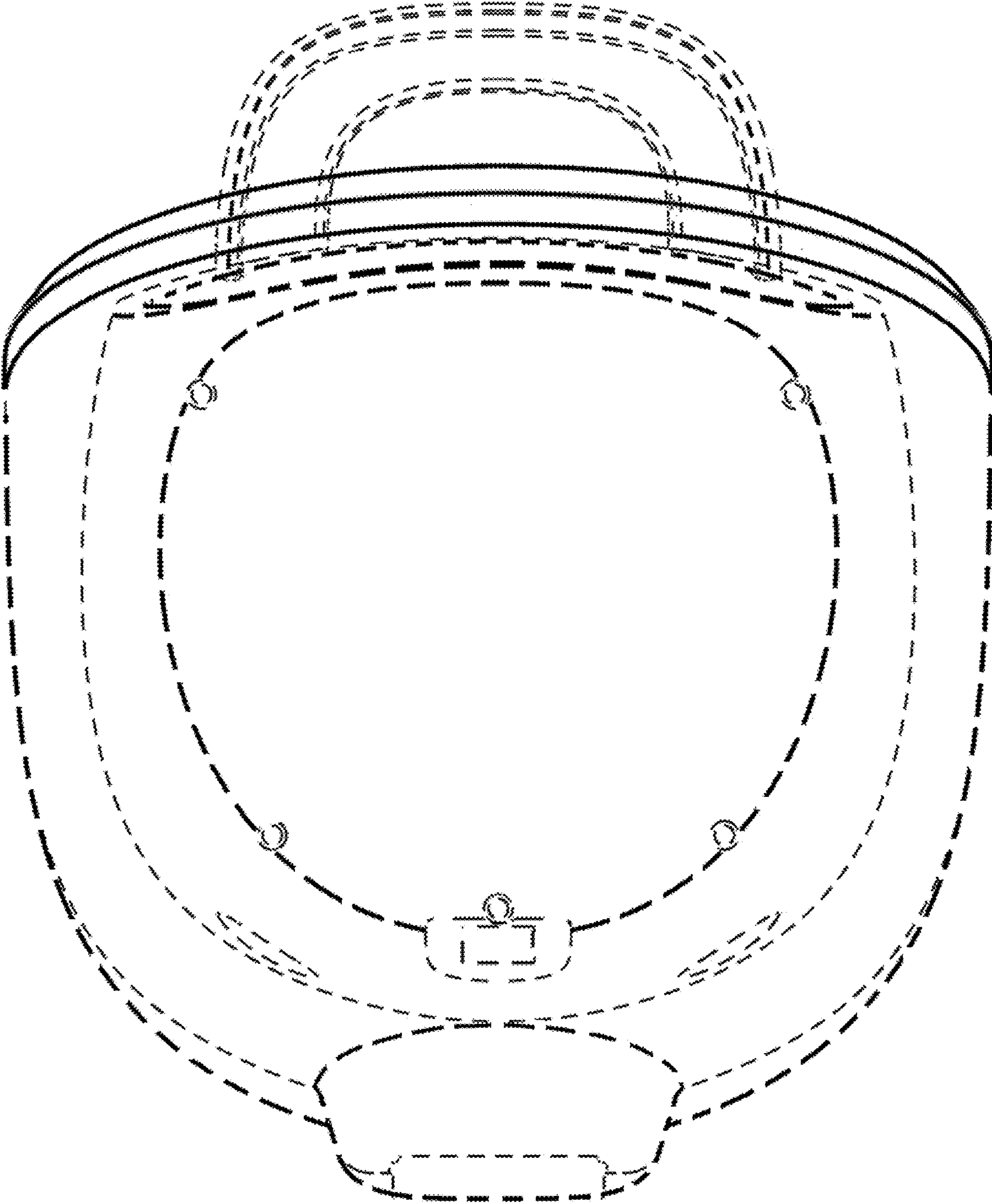


FIG.-8