



US00D975382S

(12) **United States Design Patent** (10) **Patent No.:** **US D975,382 S**  
**Toolan et al.** (45) **Date of Patent:** **\*\* Jan. 10, 2023**

(54) **PET CHEW TOY**  
(71) Applicant: **Benebone LLC**, Westport, CT (US)  
(72) Inventors: **Peter Toolan**, Westport, CT (US); **Evan L. Ryan**, Evanston, IL (US)  
(73) Assignee: **Benebone LLC**, Westport, CT (US)  
(\*\*) Term: **15 Years**  
(21) Appl. No.: **29/839,837**  
(22) Filed: **May 24, 2022**

D501,286 S \* 2/2005 Wang ..... D1/199  
D511,030 S \* 10/2005 Byrne ..... D30/160  
D512,189 S \* 11/2005 Byrne ..... D30/160  
D534,694 S \* 1/2007 Pozzoni ..... D30/160  
D576,357 S \* 9/2008 Rutherford ..... D30/160  
D578,714 S \* 10/2008 Rutherford ..... D30/160  
D655,056 S \* 2/2012 Blair ..... D1/199  
D719,707 S \* 12/2014 Axelrod ..... D1/199  
D751,266 S \* 3/2016 Donatucci ..... D1/125  
D838,418 S \* 1/2019 Zelinger ..... D30/160  
D858,907 S \* 9/2019 Gick ..... D30/160  
D872,385 S \* 1/2020 Soto ..... D30/160  
D877,428 S \* 3/2020 Wolfe, Jr. .... D30/160  
D932,114 S \* 9/2021 Toolan ..... D30/160  
D944,468 S \* 2/2022 Pan ..... D30/160  
2008/0134986 A1 \* 6/2008 Bastioli ..... C08L 3/02  
524/53

**Related U.S. Application Data**

(62) Division of application No. 29/745,995, filed on Aug. 11, 2020, now Pat. No. Des. 956,370.  
(51) **LOC (14) Cl.** ..... **30-99**  
(52) **U.S. Cl.**  
USPC ..... **D30/160**  
(58) **Field of Classification Search**  
USPC ..... D30/160; D21/386, 398; D24/193, 194,  
D24/195; D1/125, 126, 127  
CPC .... A01K 15/025; A01K 15/026; A23K 50/40;  
A23K 40/25; A23K 10/26  
See application file for complete search history.

(Continued)

*Primary Examiner* — Sheryl Lane  
*Assistant Examiner* — Aula Soroush  
(74) *Attorney, Agent, or Firm* — Fred Zollinger

(57) **CLAIM**

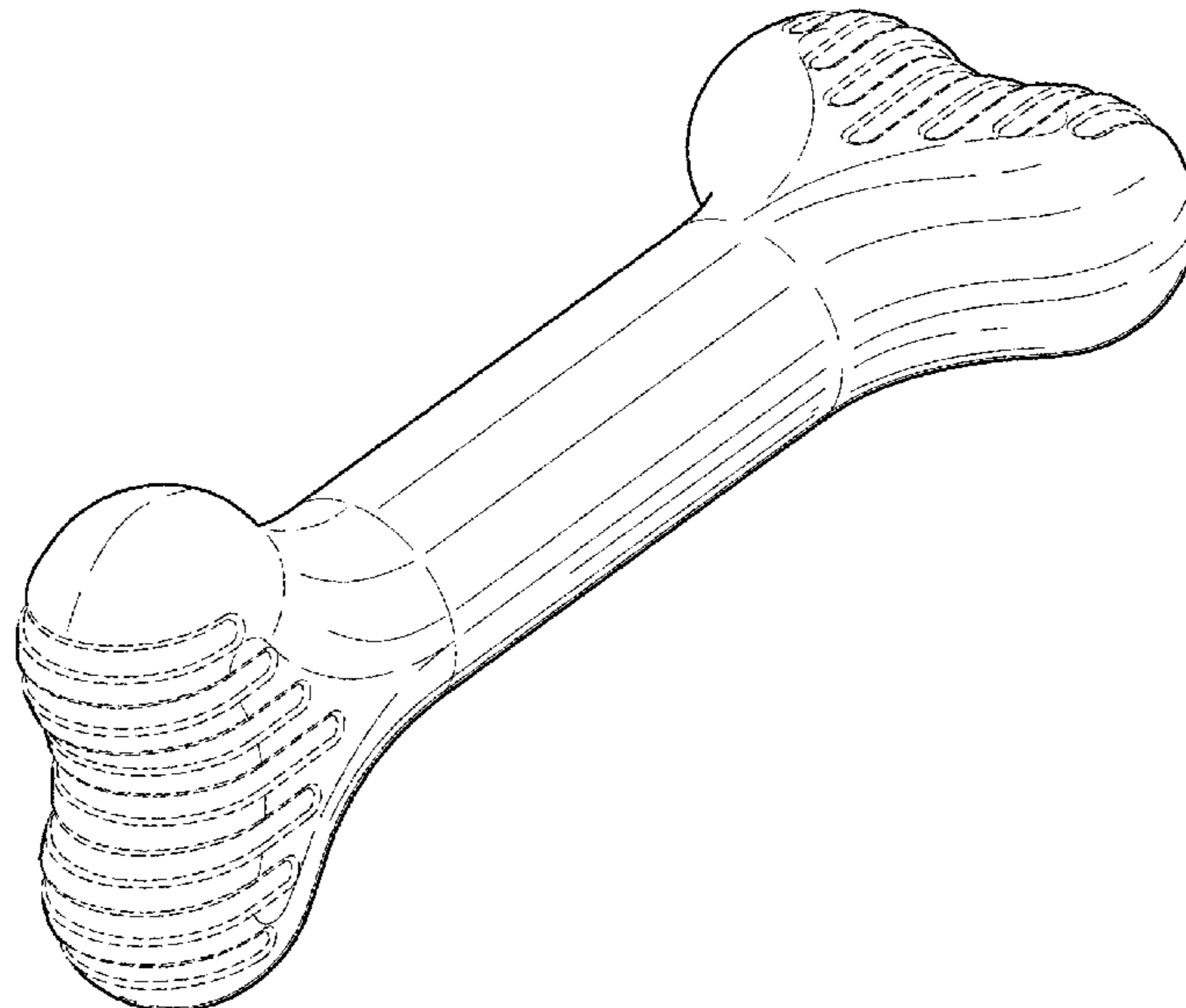
The ornamental design for a pet chew toy, as shown and described.

**DESCRIPTION**

FIG. 1 is front perspective view of a pet chew toy showing our new design.  
FIG. 2 is a rear perspective view thereof.  
FIG. 3 is a front elevation view of thereof.  
FIG. 4 is a top plan view thereof.  
FIG. 5 is a rear elevation view thereof.  
FIG. 6 is a bottom plan view thereof.  
FIG. 7 is a right side elevation view thereof; and,  
FIG. 8 is a left side elevation view thereof.  
The broken lines depict features that form no part of the claimed design.

(56) **References Cited**  
U.S. PATENT DOCUMENTS  
5,174,243 A \* 12/1992 O'Rourke ..... A01K 15/026  
433/1  
5,339,771 A \* 8/1994 Axelrod ..... A01K 15/026  
119/710  
D428,136 S \* 7/2000 Cady ..... D30/160  
6,093,441 A \* 7/2000 Axelrod ..... A01K 15/026  
426/805  
D433,778 S \* 11/2000 Axelrod ..... D30/160  
6,379,725 B1 \* 4/2002 Wang ..... A23J 3/26  
426/805  
D475,816 S \* 6/2003 Adamson ..... D30/160

**1 Claim, 5 Drawing Sheets**



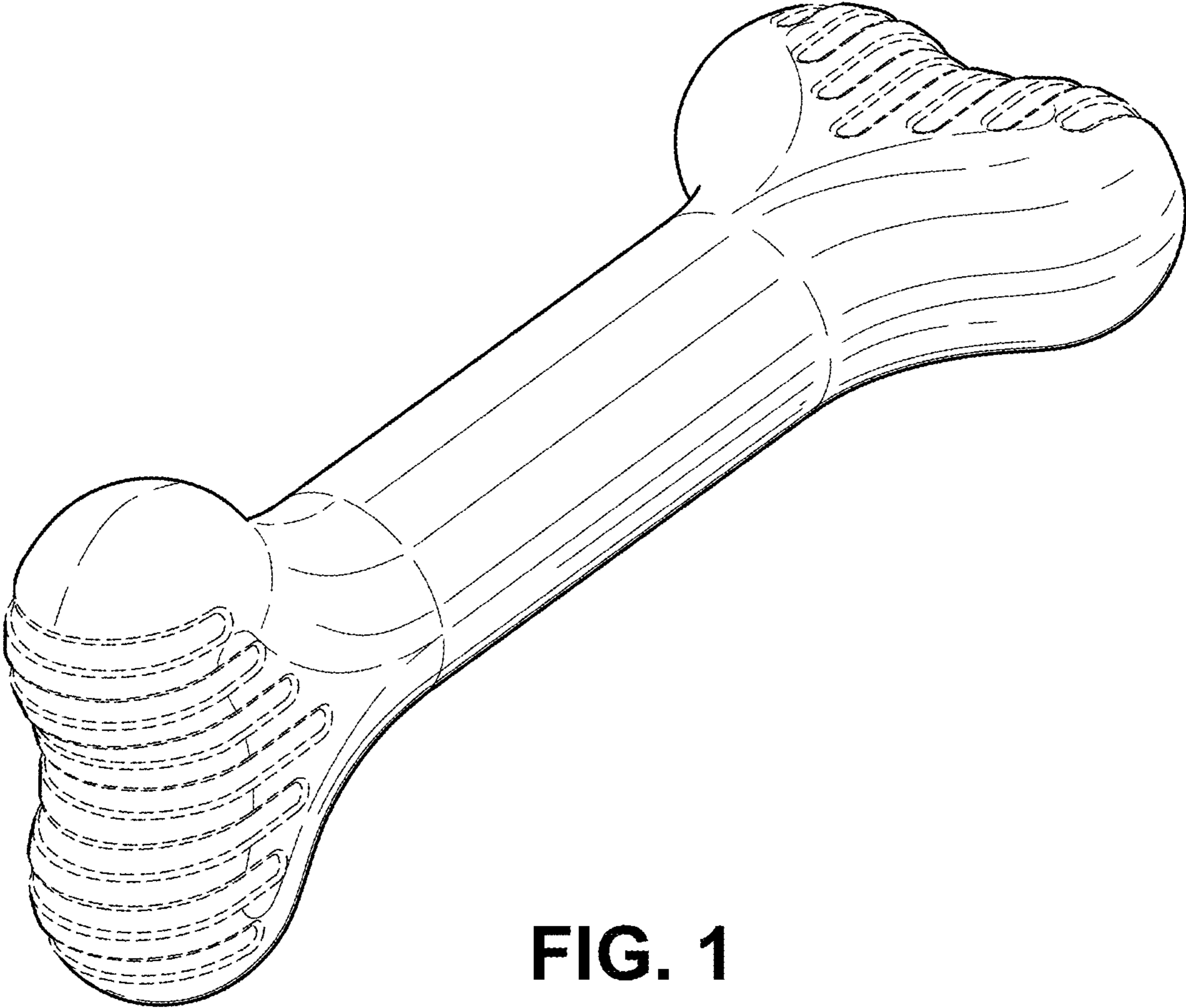
(56)

**References Cited**

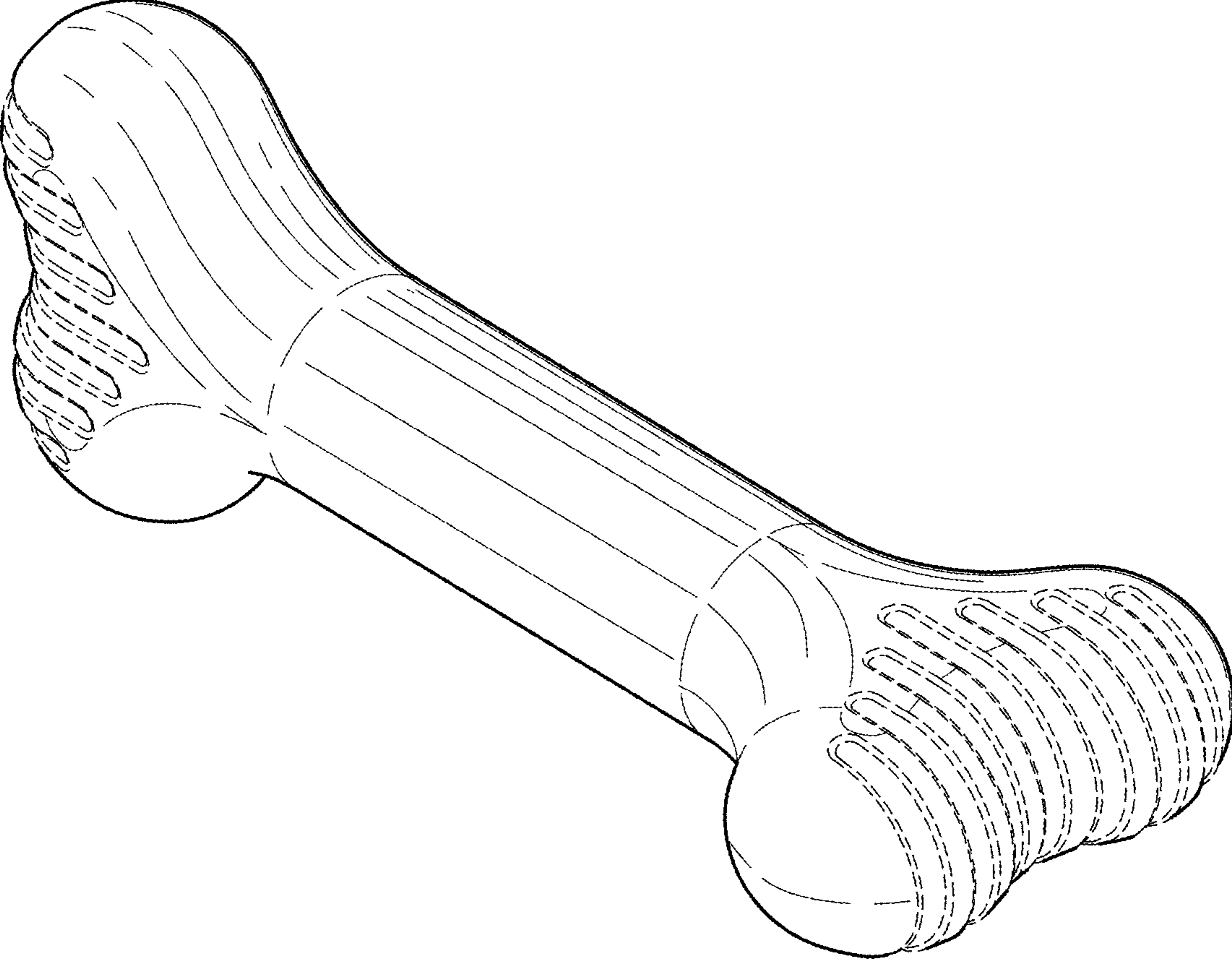
U.S. PATENT DOCUMENTS

2015/0128876 A1\* 5/2015 Axelrod ..... A01K 15/026  
119/709  
2017/0231195 A1\* 8/2017 Dewey ..... A01K 15/026  
119/707

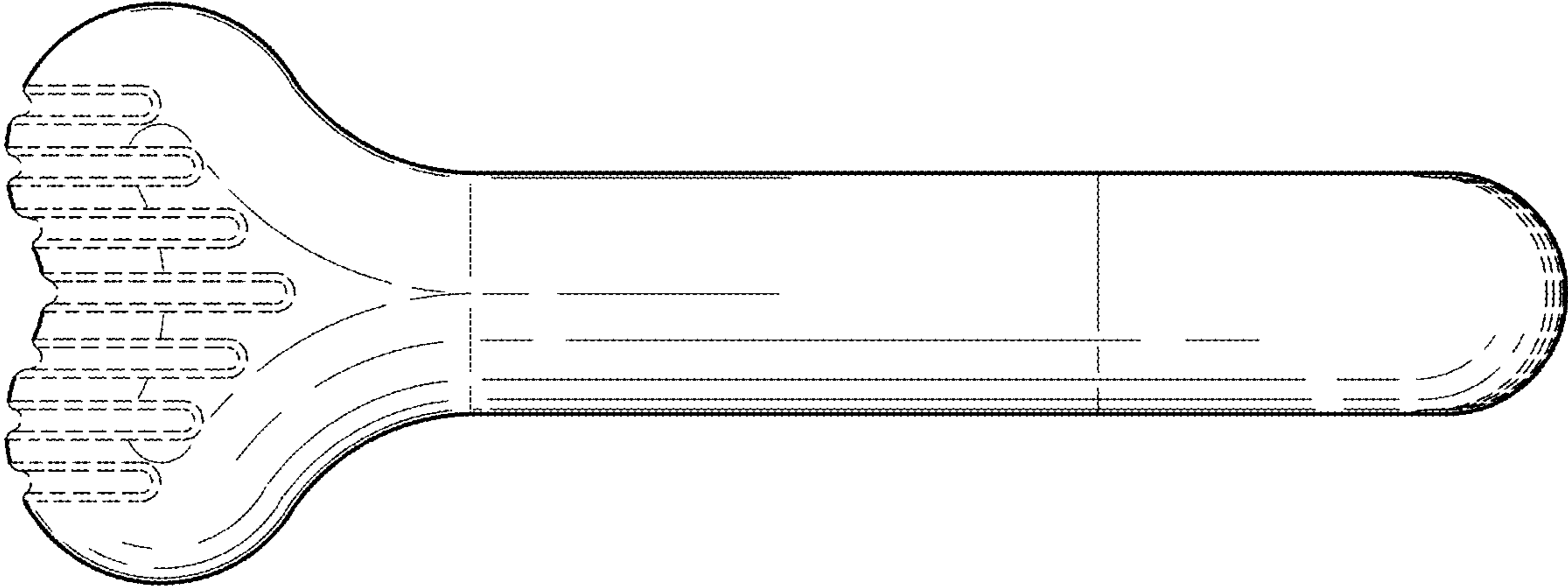
\* cited by examiner



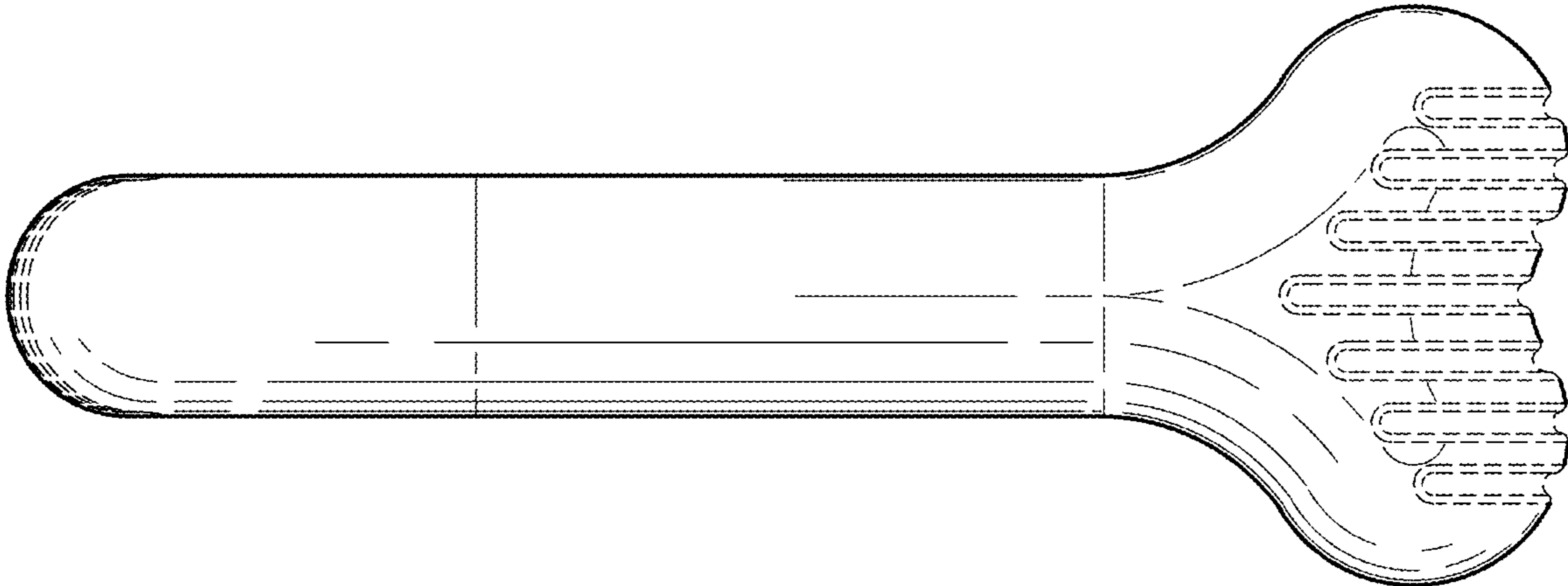
**FIG. 1**



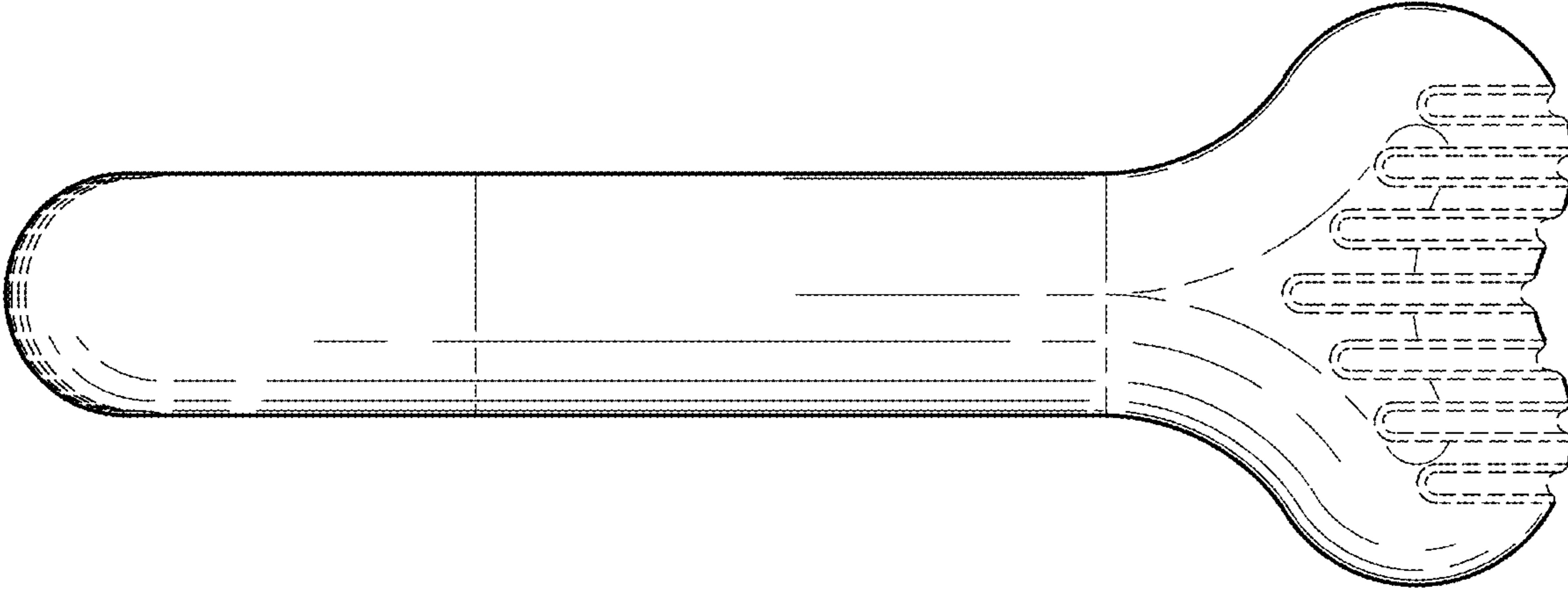
**FIG. 2**



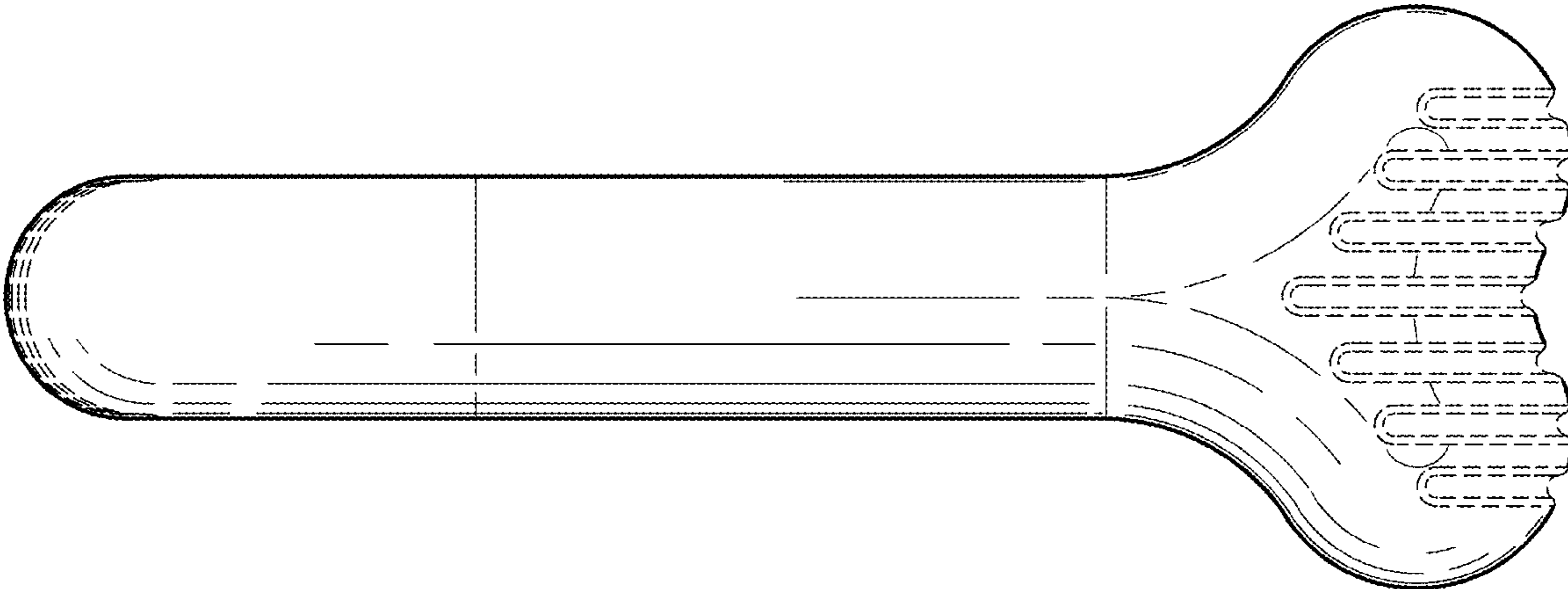
**FIG. 3**



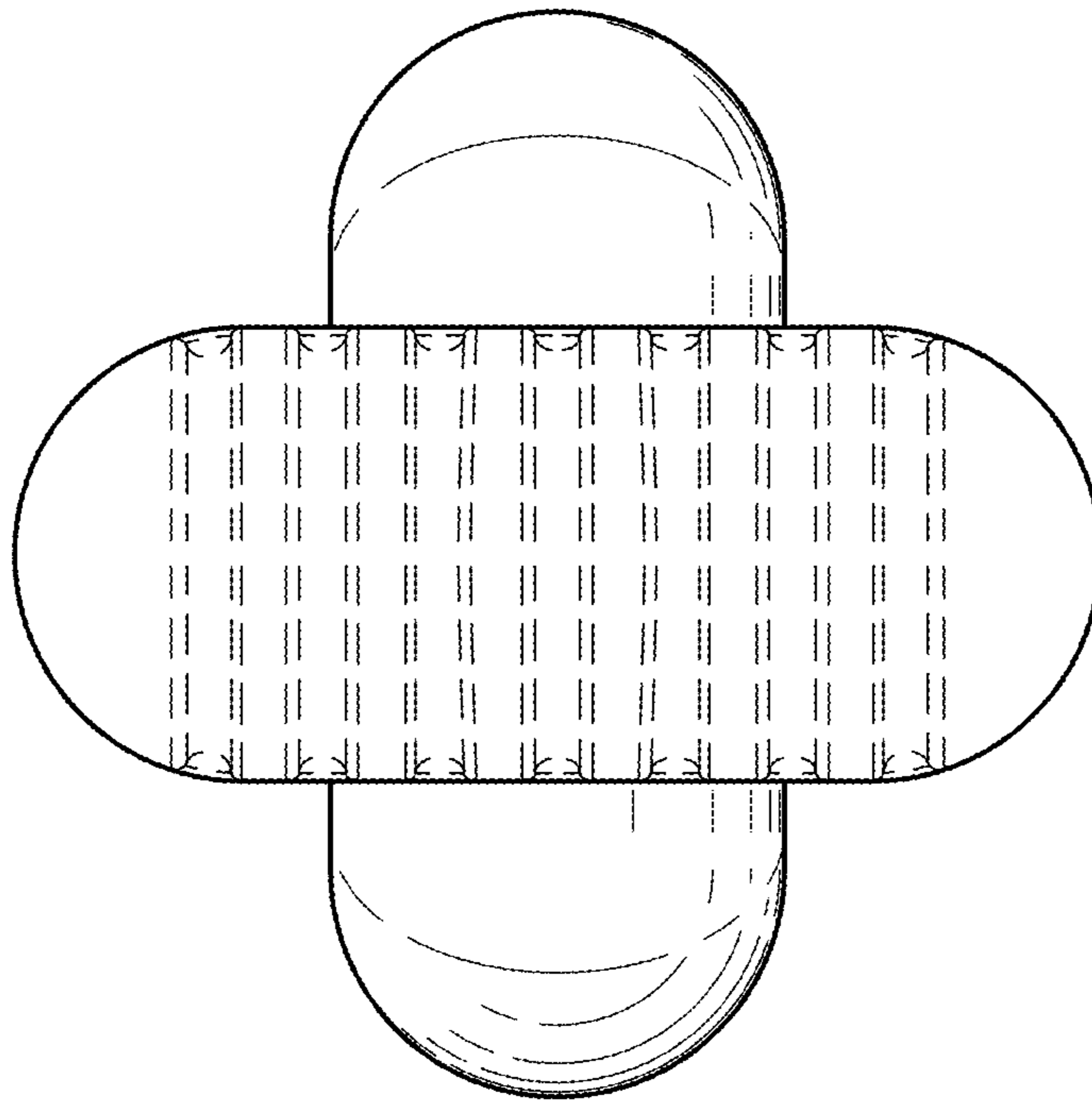
**FIG. 4**



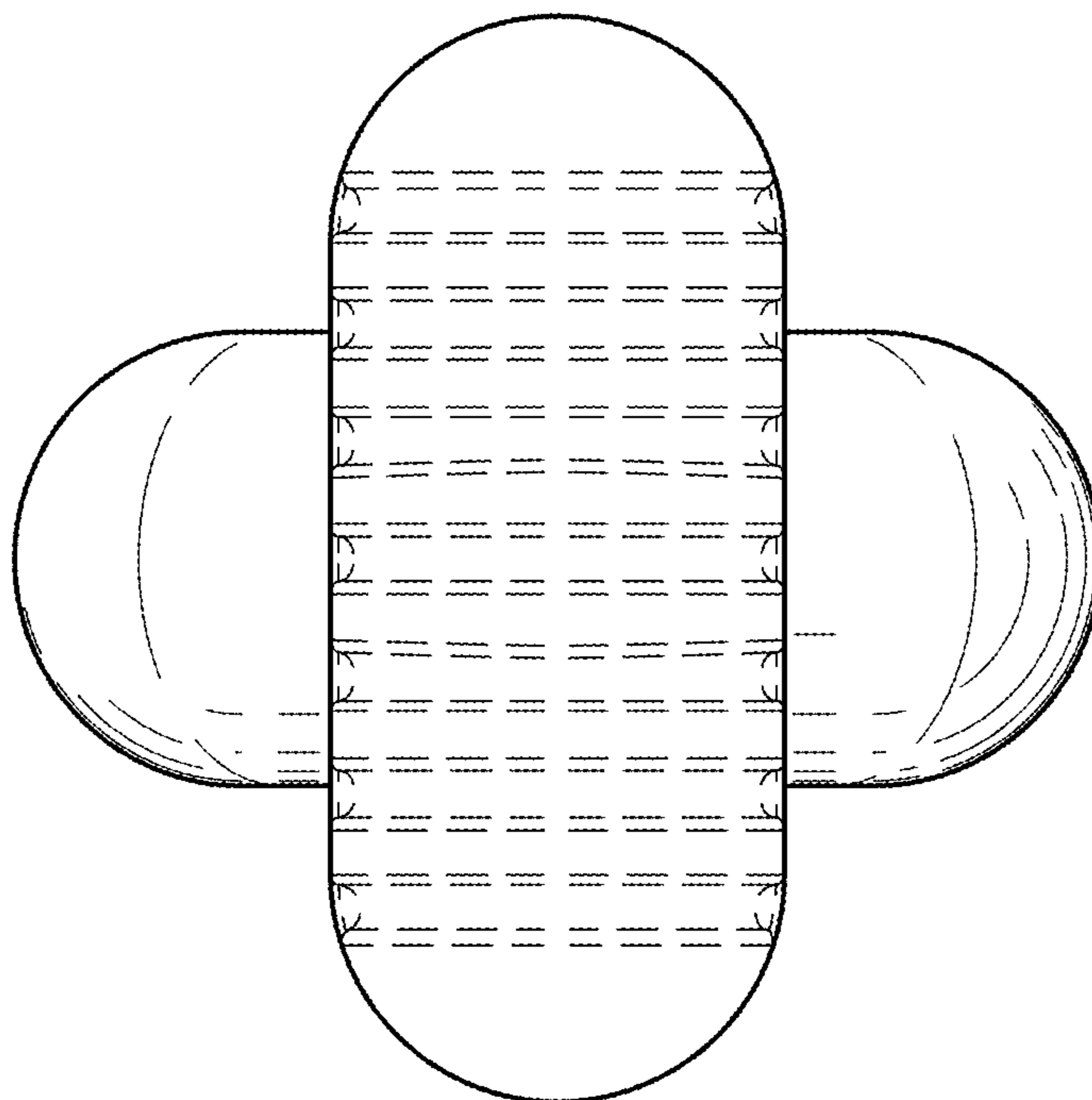
**FIG. 5**



**FIG. 6**



**FIG. 7**



**FIG. 8**