

US00D975376S

(12) **United States Design Patent** (10) **Patent No.:** **US D975,376 S**
Becattini, Jr. et al. (45) **Date of Patent:** **** Jan. 10, 2023**

(54) **APPARATUS FOR PET HAIR REMOVAL**

(71) Applicant: **Towerstar Pets, LLC**, Malvern, PA (US)

(72) Inventors: **Fernando Becattini, Jr.**, Malvern, PA (US); **Jacquelyn N. Becattini**, Malvern, PA (US); **Fernando Becattini, Sr.**, Devon, PA (US); **Steve A. Copeland**, Barrie (CA); **Nicholas Teixeira**, Angus (CA)

(73) Assignee: **TOWERSTAR PETS, LLC**, Malvern, PA (US)

(**) Term: **15 Years**

(21) Appl. No.: **29/842,145**

(22) Filed: **Jun. 10, 2022**

(51) **LOC (14) Cl.** **30-99**

(52) **U.S. Cl.**
USPC **D30/159; D30/158**

(58) **Field of Classification Search**
USPC D30/158, 159, 199, 162, 106; 119/625, 119/633, 600, 617, 628, 632, 631, 613, 119/618, 619, 620, 611; 132/126, 142, 132/143, 155; 30/114, 130, 301, 305, 30/315, 316, 299, 303, 306, 169, 322, 31, 30/30, 279.2, 280, 287, 294, 199, 30/329-344, 346.56, 346.61, 355, 357, 30/172; D7/672-676, 687, 686, 634, 619, D7/688, 653; 425/298; 426/503; D4/136, 127, 124-126, 116-118, 199, D4/194, 137; D32/42, 25, 41, 48, 40, 35, D32/46; D23/261; 2/160; 172/379, 380; D6/415, 410, 411; 294/1.3, 1.5, 55, 99.1, 294/49, 7, 9, 99.2, 118, 119, 19.2, 52; 209/418; D24/211, 147; D21/532, 398; D19/36; 34/381, 103, 104, 107; D11/104, 86; 56/400.01, 400.1, 400.17,

56/400.21, 400.05, 400.04, 330; 403/329, 403/326, 361; 15/402, 142, 236.07, 15/236.08, 236.05, 250.48, 256.5, 245.1, 15/143.1, 145, 176.1, 176.4, 236.01, 245; 601/137, 136, 80, 93, 95, 97, 101, 103, 601/138, 143-147; D28/91.2, 63, 52, 48,
(Continued)

(56) **References Cited**

U.S. PATENT DOCUMENTS

105,148 A * 7/1870 Warner et al. A45D 8/12
132/155
1,517,864 A * 12/1924 Runk A47L 13/16
15/210.1

(Continued)

Primary Examiner — Susan Moon Lee

(74) *Attorney, Agent, or Firm* — Sand, Sebolt & Wernow Co., LPA

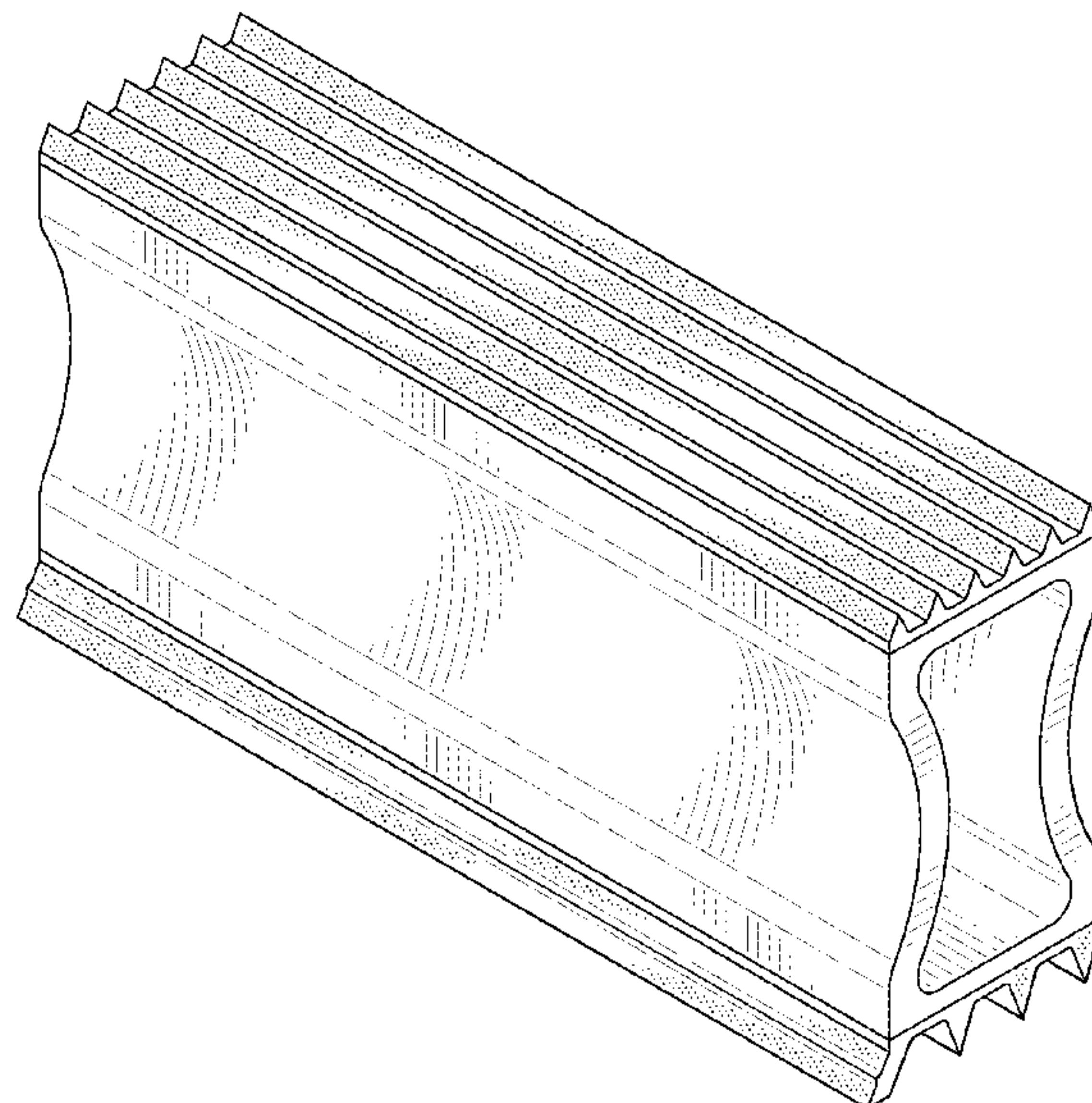
(57) **CLAIM**

The ornamental design for an apparatus for pet hair removal, as shown and described.

DESCRIPTION

FIG. 1 is a front, top, left side isometric perspective view of an apparatus for pet hair removal in accordance with our design;
FIG. 2 is a front, top, right side isometric perspective thereof;
FIG. 3 is a front elevation view thereof;
FIG. 4 is a rear elevation view thereof;
FIG. 5 is a left side elevation view thereof;
FIG. 6 is a right side elevation view thereof;
FIG. 7 is a top plan view thereof; and,
FIG. 8 is a bottom plan view thereof.
The broken lines illustrate portions of the apparatus for pet hair removal which form no part of the claimed design.

1 Claim, 6 Drawing Sheets



US D975,376 S

(58) Field of Classification Search

USPC D28/31; D8/13, 6, 10, 11, 12, 1, 45;
 126/173, 214 C, 25 R; 99/450; 156/579;
 7/167; 16/422
 CPC A01K 13/00; A01K 13/002; B26B 19/24;
 B26B 19/063; B26B 21/16; B26B 21/18;
 B26B 21/521; B26B 21/4075; B26B
 21/522; A45D 24/30; A45D 24/00; A45D
 24/04; A45D 24/10; A45D 24/36; A45D
 24/02; A46B 5/02; A46B 5/021; A46B
 5/026; A46B 5/028; A46B 2200/1093;
 A46B 2200/10; B29C 63/0004; Y10T
 156/18; Y10T 16/476; B41F 15/44

See application file for complete search history.

(56) References Cited

U.S. PATENT DOCUMENTS

1,760,778 A * 5/1930 Ries A45D 24/08
 132/153
 2,546,577 A * 3/1951 Young B27G 17/04
 15/236.08
 2,609,020 A * 9/1952 Becker A22B 5/205
 30/517
 D172,527 S * 6/1954 Wattles D32/41
 3,007,503 A * 11/1961 Kuemmerling B23D 51/10
 30/517
 3,160,142 A * 12/1964 Torow A01K 13/002
 119/623
 D204,724 S * 5/1966 Bieger 128/207.29
 D214,977 S * 8/1969 Roth D4/137
 3,488,764 A * 1/1970 Welsh B26B 21/06
 30/32
 D226,142 S * 1/1973 Brainerd et al. D4/119
 D231,036 S * 3/1974 Brainerd et al. D4/119
 D231,039 S * 3/1974 Brainerd et al. D4/119
 D231,041 S * 3/1974 Brainerd et al. D4/119
 D233,586 S * 11/1974 Kopp D32/46
 3,864,778 A * 2/1975 Vopat B43L 21/00
 15/244.1
 3,892,247 A * 7/1975 Andersen A45D 20/50
 132/148
 4,004,317 A * 1/1977 Beedle G11B 23/502
 15/93.1
 D243,382 S * 2/1977 Mox D32/46
 4,064,588 A * 12/1977 Cooper E04F 21/0084
 15/236.08
 D251,022 S 2/1979 Mckay
 4,597,179 A * 7/1986 Goforth B23D 29/02
 83/913
 4,970,990 A * 11/1990 Wilhelmi A01K 13/002
 119/633
 D312,893 S * 12/1990 Hansen D28/48
 4,984,326 A * 1/1991 Horie G03G 21/0029
 399/351
 4,989,511 A * 2/1991 Clarke, Jr. B41F 15/02
 101/169
 5,072,746 A * 12/1991 Kantor A45D 24/30
 132/148
 D323,896 S * 2/1992 Alcazar D25/103
 D331,840 S 12/1992 Garner
 D342,610 S 12/1993 Stetson et al.
 5,321,868 A * 6/1994 Coulson B41F 15/02
 15/245.1
 D352,397 S 11/1994 Coleman
 D352,432 S * 11/1994 Monroe D8/45
 D357,810 S 5/1995 Evans
 D378,958 S 4/1997 Yu
 5,690,057 A * 11/1997 Curry A01K 13/002
 119/623
 D388,569 S * 12/1997 Israel D32/35
 D389,618 S 1/1998 Rosen
 D397,875 S 9/1998 Barrett

5,865,945 A * 2/1999 McConaughy B29C 63/0004
 7/167
 D407,161 S * 3/1999 Daugherty D25/128
 D408,998 S 5/1999 Choi et al.
 5,987,687 A * 11/1999 Kilburn A46B 5/02
 D4/130
 6,023,811 A * 2/2000 Ciarrocchi A47L 13/08
 15/236.08
 D422,124 S * 3/2000 Rimback D32/41
 D422,765 S 4/2000 Viola
 D433,818 S 11/2000 Hegemann et al.
 D456,613 S 5/2002 Boelke
 D457,989 S 5/2002 O'Rourke
 D461,281 S * 8/2002 Lee D28/24
 6,453,970 B1 * 9/2002 Stone B29C 63/0004
 15/245.1
 D470,981 S 2/2003 Simon
 6,516,490 B1 * 2/2003 Hatala A47L 13/08
 30/169
 D485,075 S 1/2004 Hutchinson
 D488,898 S * 4/2004 Ben-Moshe D32/41
 6,796,000 B2 * 9/2004 Varner A47L 1/06
 15/245
 D520,994 S * 5/2006 Weiher D14/356
 D538,047 S 3/2007 Draughn
 D539,545 S 4/2007 Crane et al.
 D548,907 S * 8/2007 Killen D32/41
 D550,460 S 9/2007 Dunn et al.
 D557,333 S * 12/2007 Giannola D18/56
 D591,514 S 5/2009 Mcneil et al.
 D609,916 S * 2/2010 Benson D4/118
 D616,649 S 6/2010 Lin
 D616,651 S 6/2010 Lin
 7,757,336 B2 * 7/2010 Varner A47L 1/06
 15/245
 D624,262 S * 9/2010 Gringer D32/46
 D625,064 S * 10/2010 Lee D32/42
 D627,530 S * 11/2010 Benson D32/35
 D627,565 S 11/2010 Tyce et al.
 D630,615 S * 1/2011 Lee D14/203.3
 D639,788 S * 6/2011 Borregaard D24/174
 D643,220 S 8/2011 Berger et al.
 D666,007 S 8/2012 Harris et al.
 D675,790 S 2/2013 Tran et al.
 D675,799 S * 2/2013 Beij D32/40
 D692,145 S * 10/2013 Al-Ali D24/186
 D693,068 S 11/2013 Tan
 D703,879 S 4/2014 Green et al.
 D710,112 S 8/2014 Dunn
 8,967,157 B2 * 3/2015 Steiner A45D 24/10
 132/150
 D756,132 S 5/2016 Michelson et al.
 D758,741 S * 6/2016 Sussman D4/137
 9,474,250 B1 * 10/2016 Tipton A01K 13/001
 D779,135 S 2/2017 Chang
 D781,693 S * 3/2017 Roan D8/394
 D798,000 S 9/2017 Knoll
 D805,376 S * 12/2017 Heindl D8/382
 9,943,884 B2 * 4/2018 Viola B08B 7/0028
 D816,446 S * 5/2018 Schluter D8/45
 D816,447 S * 5/2018 Schluter D8/45
 D817,560 S * 5/2018 Tipton D30/158
 D835,858 S * 12/2018 Tipton D30/158
 D837,464 S * 1/2019 Park D30/158
 D838,061 S 1/2019 Wu
 D840,608 S 2/2019 Snead, Sr.
 D845,003 S 4/2019 Khubani et al.
 D845,004 S 4/2019 Khubani et al.
 D858,998 S 9/2019 Zhang
 D866,092 S 11/2019 Liang
 D890,530 S 7/2020 Quan
 D890,531 S 7/2020 Quan
 D893,113 S 8/2020 Oishi et al.
 D893,814 S 8/2020 Oishi et al.
 D893,815 S 8/2020 Oishi et al.
 D898,302 S 10/2020 Zhang
 D899,711 S 10/2020 Matsuyama et al.
 D899,712 S 10/2020 Ito et al.

(56)

References Cited

U.S. PATENT DOCUMENTS

D910,246	S	2/2021	Zhang	
D917,798	S	4/2021	Xue	
D919,198	S	5/2021	Katopis	
D919,199	S	5/2021	Xu	
D923,259	S	6/2021	Chen	
D933,369	S	10/2021	Park et al.	
D935,706	S	11/2021	Takla et al.	
D936,901	S	11/2021	Ji	
D937,440	S	11/2021	Harrington	
D941,034	S	1/2022	Lai	
11,253,086	B1 *	2/2022	Huang A47F 5/0006
D948,139	S	4/2022	Khubani et al.	
D951,559	S	5/2022	Huang	
D951,562	S	5/2022	Zhuo	
D952,271	S	5/2022	Xiao	
D953,661	S	5/2022	Zhang	
D962,561	S	8/2022	Zhu	
2005/0034263	A1 *	2/2005	Killen A47L 13/11 15/245
2005/0087084	A1 *	4/2005	Gray B41F 15/42 15/245
2006/0042035	A1 *	3/2006	Liu A47L 13/11 15/245
2014/0230172	A1 *	8/2014	Resh E04H 4/1609 15/245
2015/0047576	A1 *	2/2015	Dauphin A01K 13/002 119/633

* cited by examiner

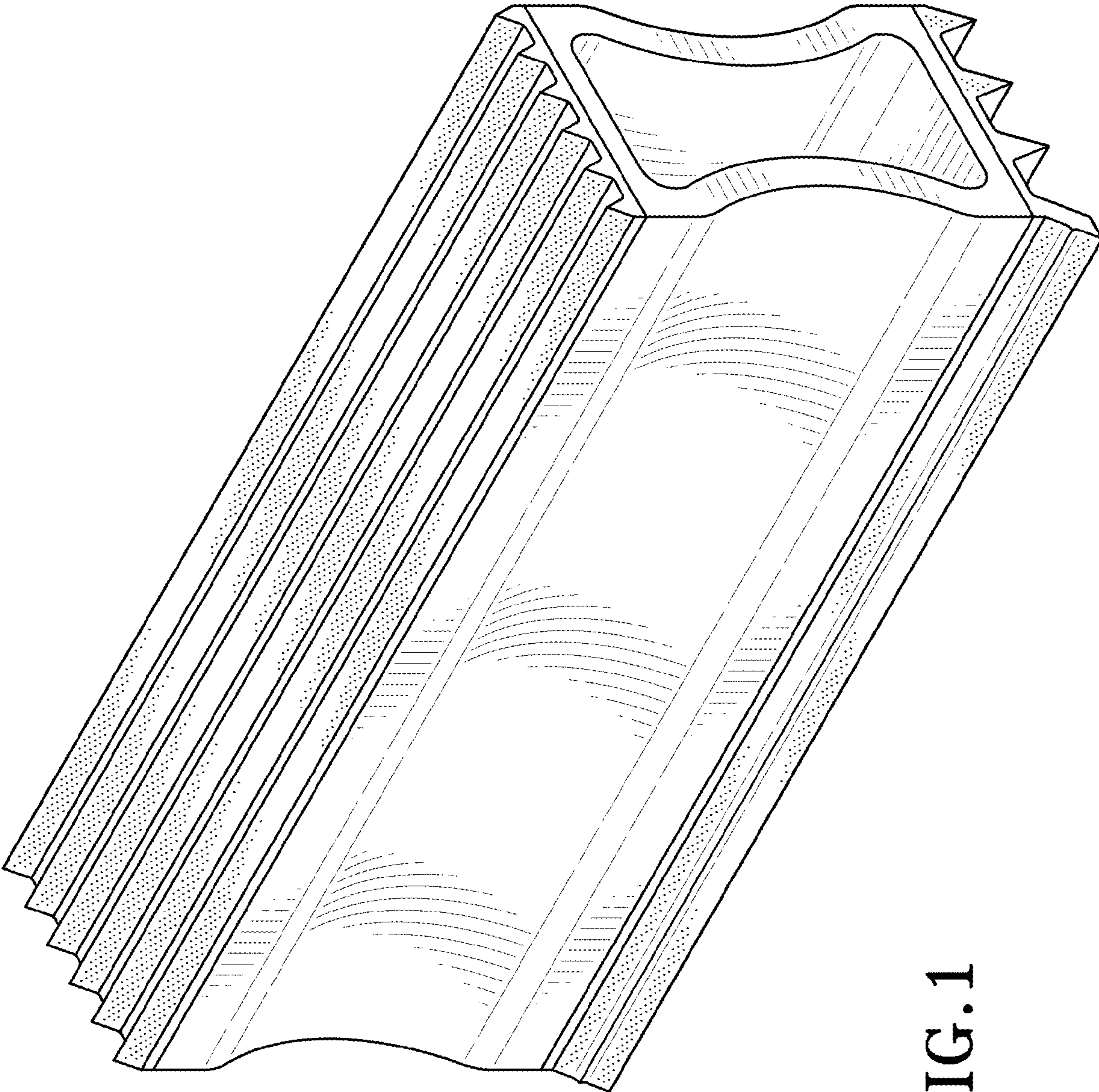


FIG. 1

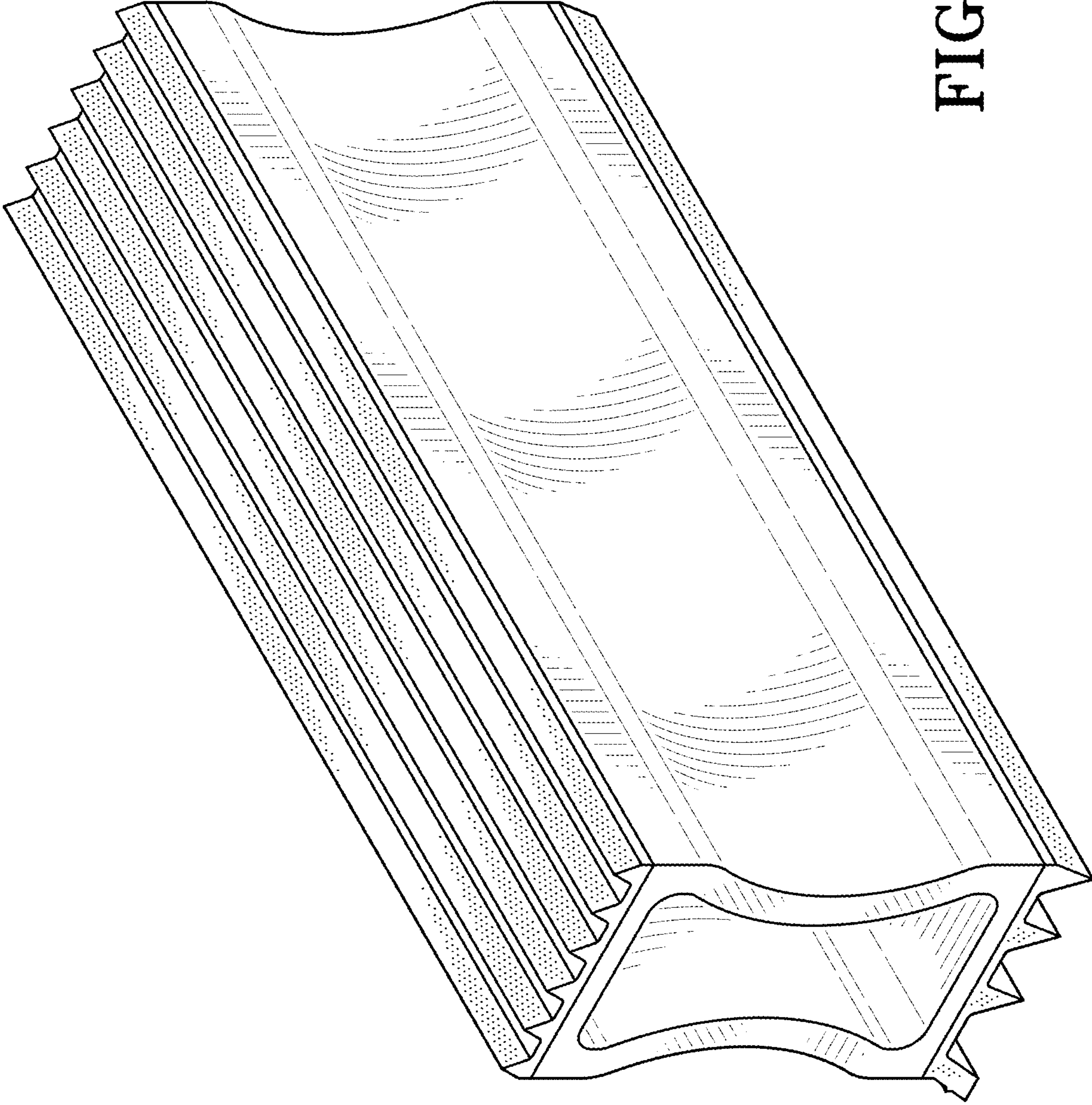


FIG. 2

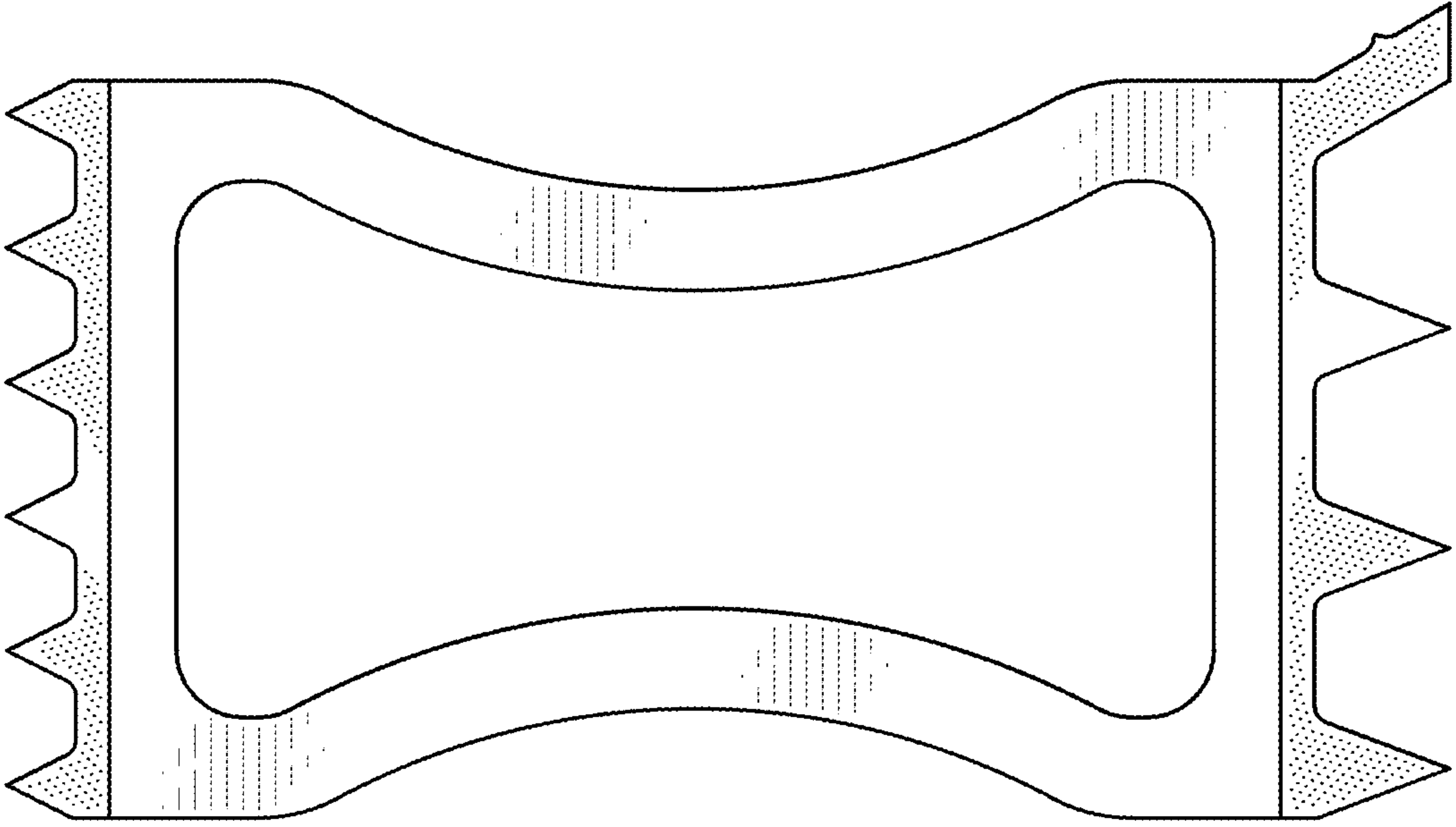


FIG. 4

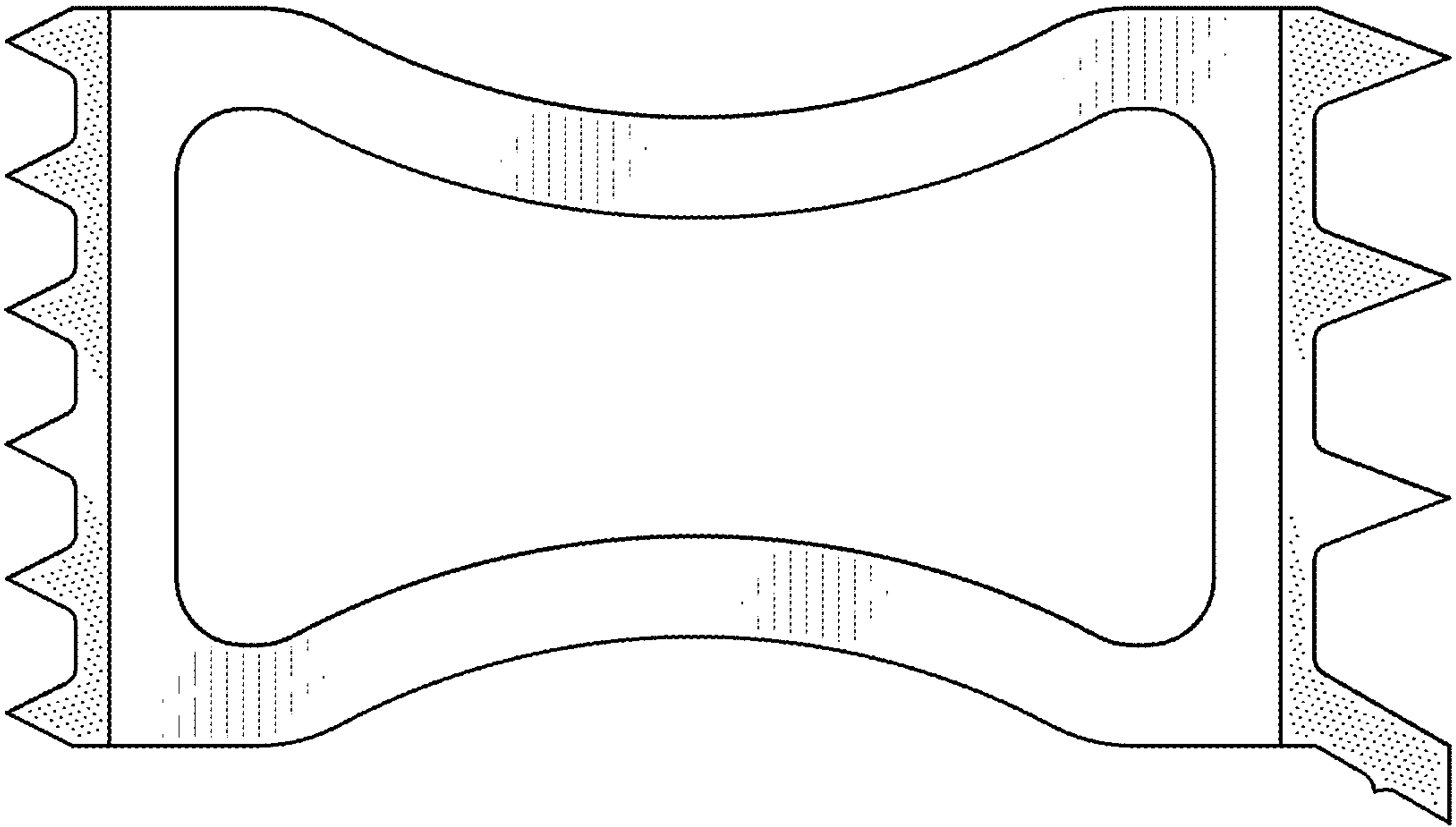


FIG. 3

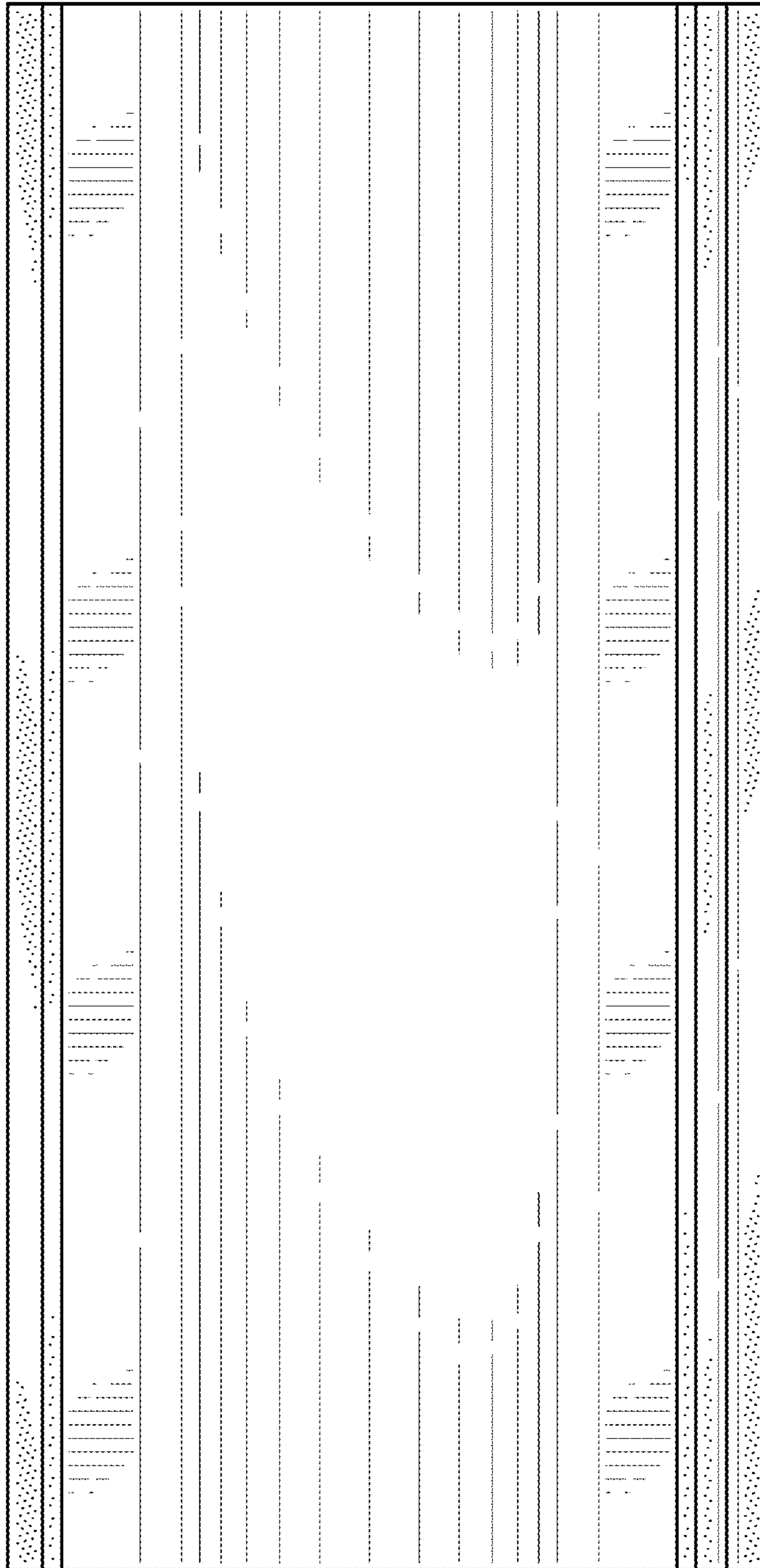


FIG. 5

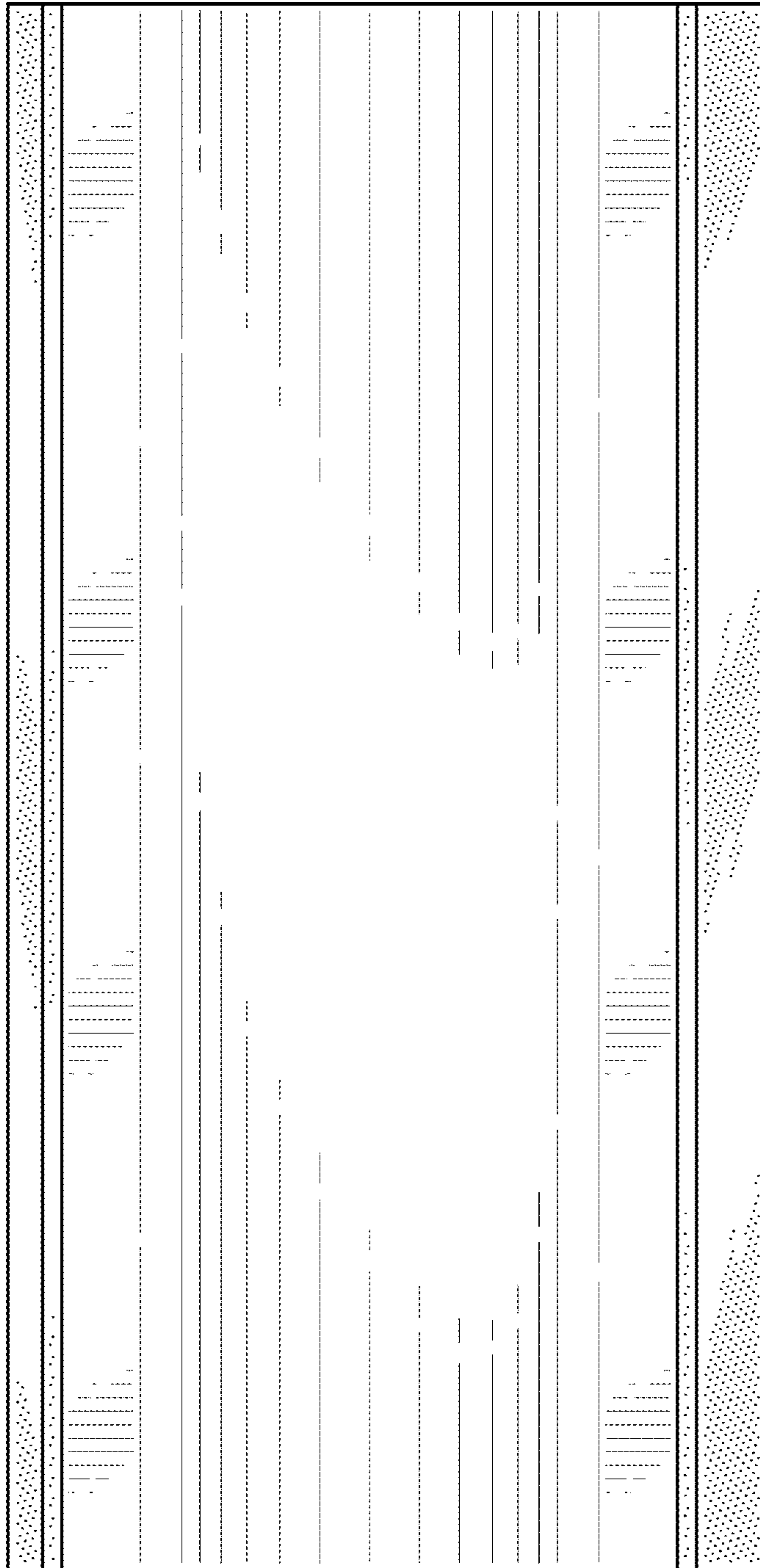


FIG. 6

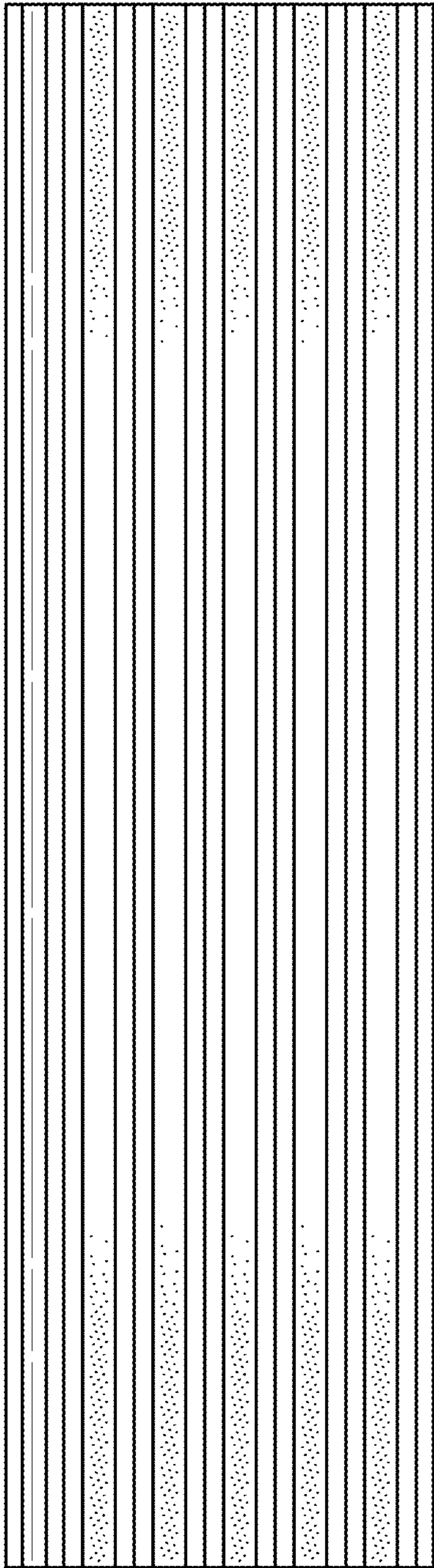


FIG. 7

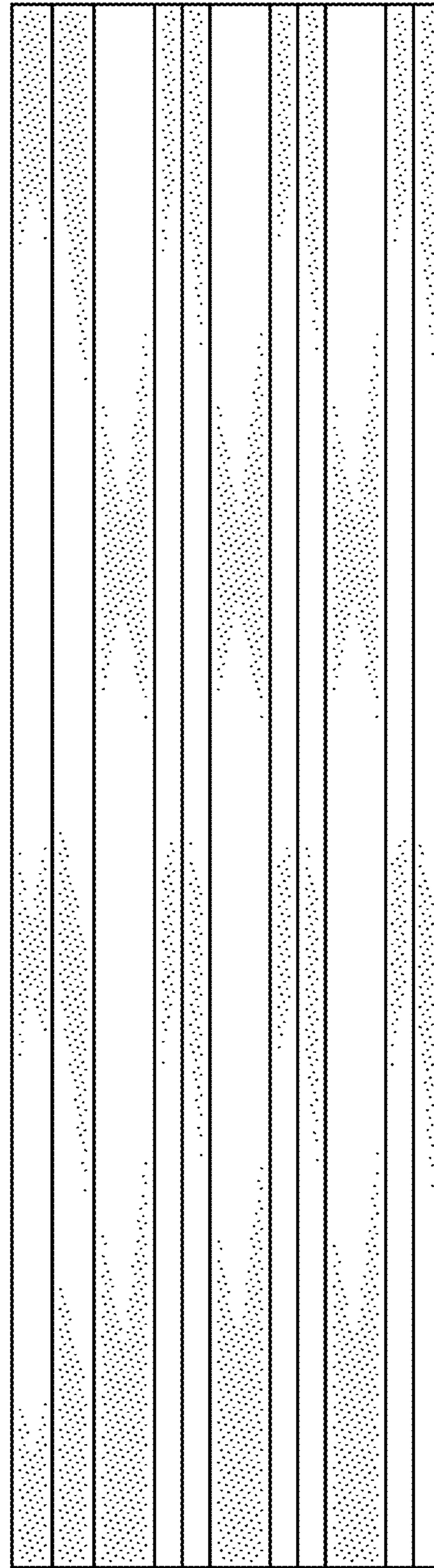


FIG. 8