



US00D975373S

(12) **United States Design Patent** (10) **Patent No.:** **US D975,373 S**
Bouton et al. (45) **Date of Patent:** **** Jan. 10, 2023**

(54) **ANIMAL HARNESS WITH VIDEO CAMERA MOUNT**

FOREIGN PATENT DOCUMENTS

(71) Applicants: **Samela Bouton**, Turkey Creek, LA (US); **Christian A. Kalidova**, Turkey Creek, LA (US)

CN 304543473 * 3/2018
JP D1219238 * 10/2004

(72) Inventors: **Samela Bouton**, Turkey Creek, LA (US); **Christian A. Kalidova**, Turkey Creek, LA (US)

OTHER PUBLICATIONS

GoPro Fetch Dog Harness, available in Amazon.com, date first available Mar. 31, 2013 [online], [site visited Jun. 16, 2022], Available from the internet URL: <https://www.amazon.com/GoPro-Fetch-Harness-Official-Mount/dp/B00N31FQJS> (Year: 2013).*

(**) Term: **15 Years**

(Continued)

(21) Appl. No.: **29/771,642**

Primary Examiner — Jennifer L Rempfer

(22) Filed: **Feb. 24, 2021**

Assistant Examiner — Elizabeth Anne Glassberg

(51) **LOC (14) Cl.** **30-04**

(74) *Attorney, Agent, or Firm* — Sanchelima &

(52) **U.S. Cl.**

Associates, P.A.; Christian Sanchelima; Jesus Sanchelima

USPC **D30/152**

(58) **Field of Classification Search**

(57) **CLAIM**

USPC D30/145, 152, 153
CPC A01K 25/00; A01K 27/00; A01K 27/001;
A01K 27/002; A01K 27/003; A01K
27/004; A01K 27/005

The ornamental design for an animal harness with video camera mount, as shown and described.

See application file for complete search history.

DESCRIPTION

(56) **References Cited**

FIG. 1 is an operational isometric view of an animal harness with video camera mount showing my new design;

U.S. PATENT DOCUMENTS

1,906,043 A * 4/1933 Bernstein A01K 27/002
119/856
D293,139 S * 12/1987 Roa D30/152
5,146,875 A * 9/1992 Bolt A01K 27/007
119/860
5,427,061 A * 6/1995 McCullough A01K 1/0272
119/771
D424,761 S * 5/2000 Mortenson D30/152
D434,535 S * 11/2000 Koch D30/152
6,167,844 B1 * 1/2001 Cantrell A01K 27/002
119/856
6,397,784 B1 * 6/2002 Morgan-Albertson
A01K 27/002
119/856

FIG. 2 is an isometric view of the animal harness with video camera mount;

FIG. 3 is a front elevational view thereof;

FIG. 4 is a rear elevational view thereof;

FIG. 5 is a left side elevational view thereof;

FIG. 6 is a right elevational view thereof;

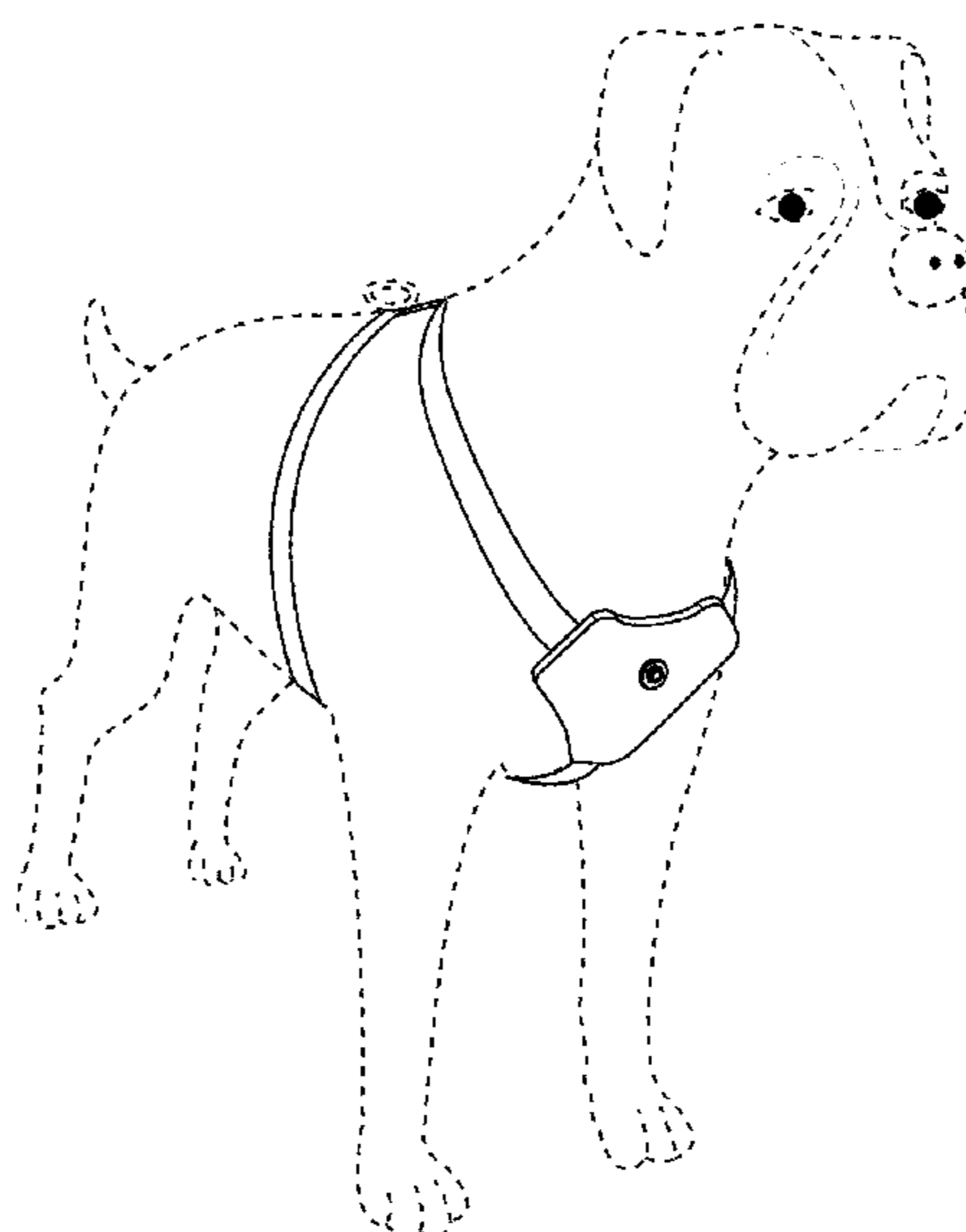
FIG. 7 is a top plan view thereof; and,

FIG. 8 is a bottom plan view thereof showing my design.

The broken lines in the drawings illustrate portions of the animal harness with video camera mount which form no part of the claimed design. The broken lines of the dog in FIG. 1 illustrate the claim in use and form no part of the claimed design.

(Continued)

1 Claim, 4 Drawing Sheets



(56)

References Cited

U.S. PATENT DOCUMENTS

D511,596 S * 11/2005 Mugford D30/152
 D591,011 S * 4/2009 Madere D30/151
 D621,561 S * 8/2010 Siklosi D30/153
 D638,176 S * 5/2011 Mugford D30/152
 8,381,688 B1 * 2/2013 Wejrowski A01K 27/002
 119/863
 D841,261 S * 2/2019 Backus D30/152
 D862,003 S * 10/2019 Wu D30/152
 D957,752 S * 7/2022 Ohanian D30/152
 D957,754 S * 7/2022 Chang A01K 27/002
 D30/152
 11,395,477 B2 * 7/2022 Reny F21V 23/04
 2004/0000273 A1 * 1/2004 Lady A01K 27/002
 119/792
 2008/0105216 A1 * 5/2008 Sporn A01K 27/002
 119/863
 2010/0263602 A1 * 10/2010 Cho A01K 27/002
 119/792
 2011/0067648 A1 * 3/2011 Siklosi A01K 27/002
 119/863
 2011/0271913 A1 * 11/2011 Min A01K 27/002
 119/856
 2012/0234261 A1 * 9/2012 Nelson A01K 27/002
 119/792

2012/0318211 A1 * 12/2012 Madonna A01K 27/002
 119/792
 2014/0202398 A1 * 7/2014 Woodward A01K 27/002
 119/863
 2014/0311423 A1 * 10/2014 Roney, III A01K 27/002
 119/856
 2016/0066544 A1 * 3/2016 Sporn A01K 27/002
 119/863
 2018/0116175 A1 * 5/2018 Lui A01K 27/001
 2022/0192157 A1 * 6/2022 Hatcher A01K 27/002
 2022/0201982 A1 * 6/2022 Elam A01K 27/008
 2022/0240490 A1 * 8/2022 Sporn A01K 27/002
 2022/0272947 A1 * 9/2022 Gajo A01K 27/002

OTHER PUBLICATIONS

Garmin 010-12256-25 Dog Harness, available in Amazon.com, date first available May 7, 2015 [online], [site visited Jun. 16, 2022], Available from the internet URL: <https://www.amazon.com/Garmin-010-12256-25-Harness-Long-Virb/dp/B00XAJ6IY0> (Year: 2015).*
 GoPro Camera Harness For Your Dog, available in pedget.com, announced Jun. 11, 2015 [online], [site visited Jun. 16, 2022], Internet URL: <https://pedget.com/gopro-dog-harness> (Year: 2015).*

* cited by examiner

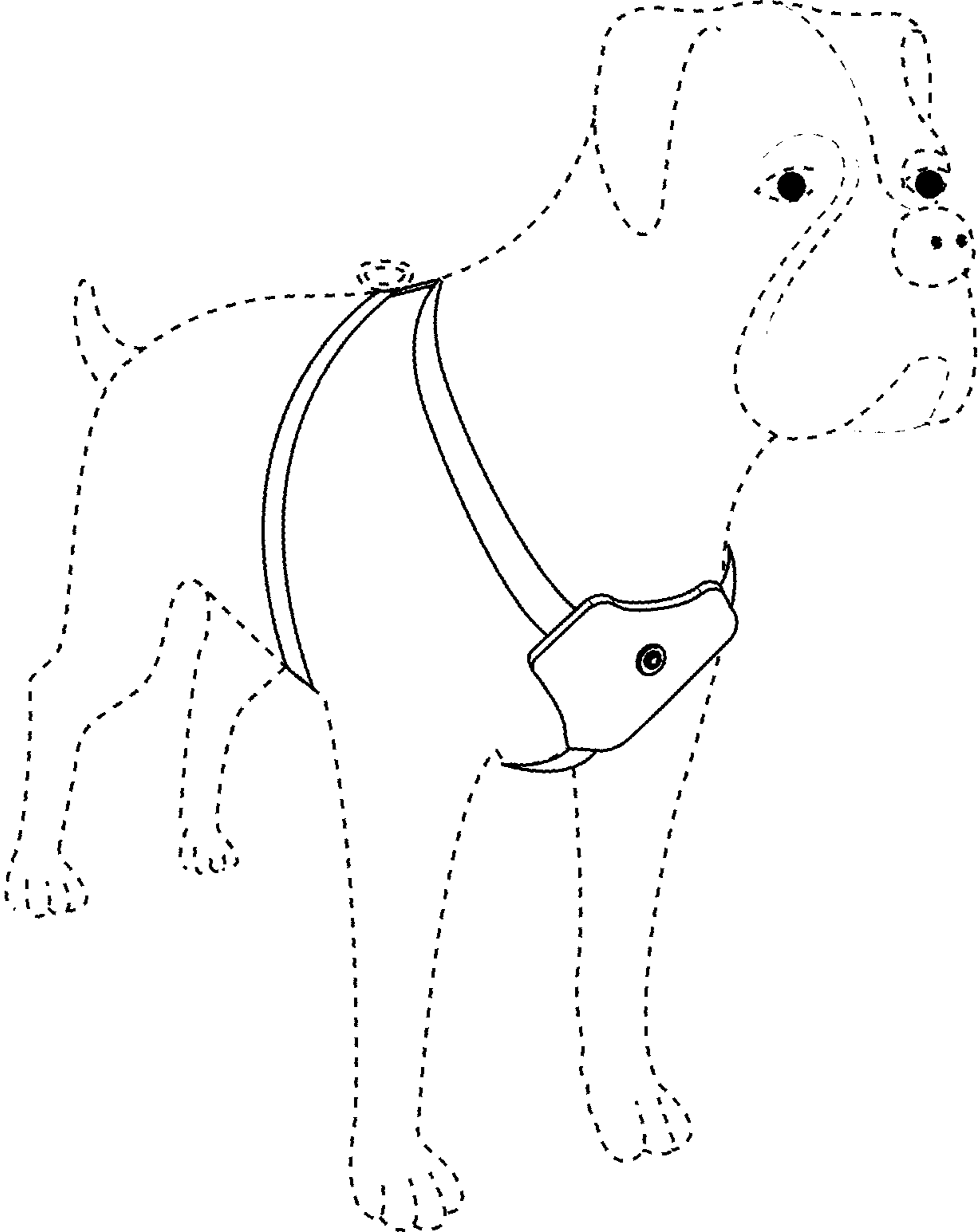


FIG. 1

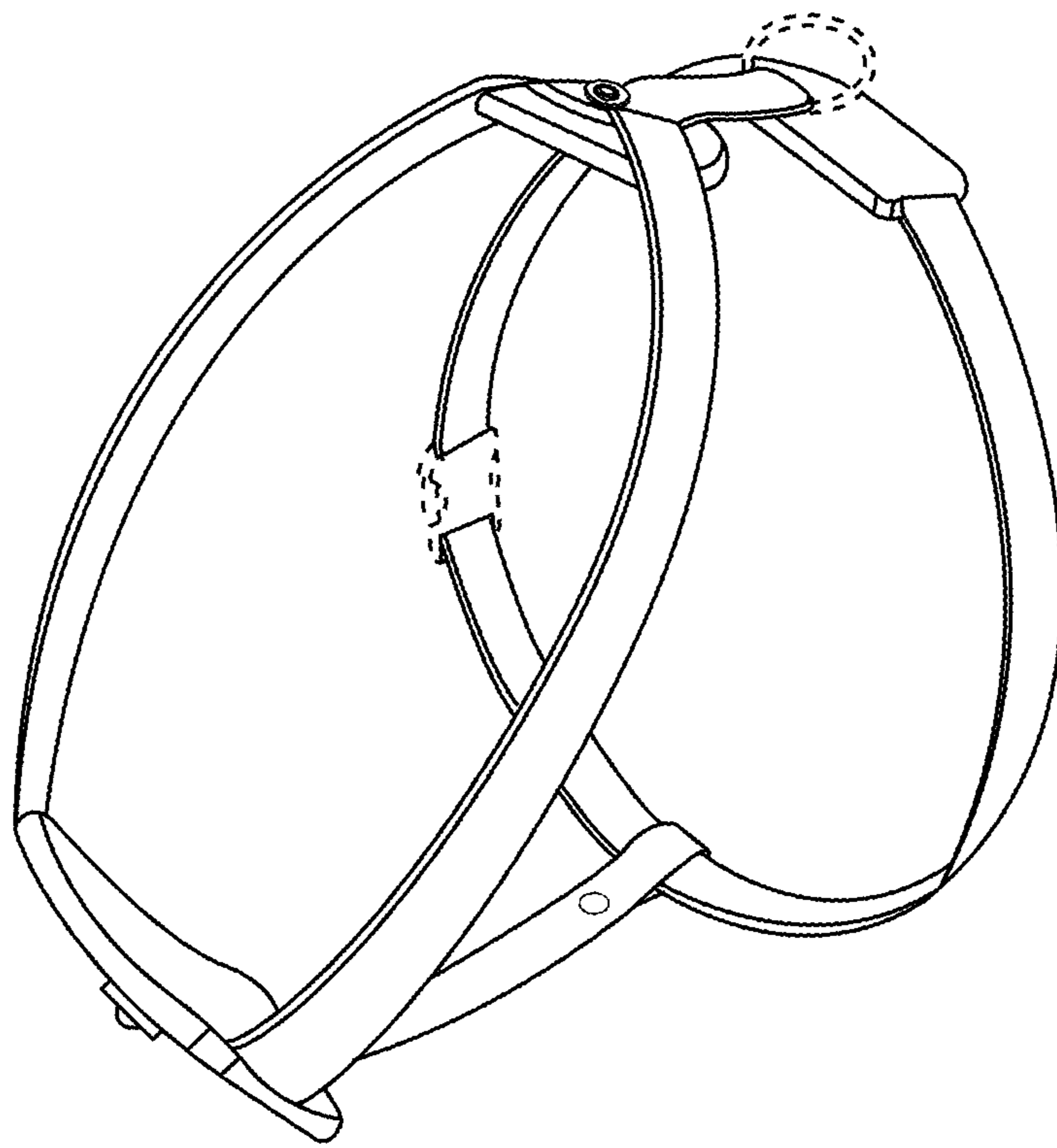


FIG. 2

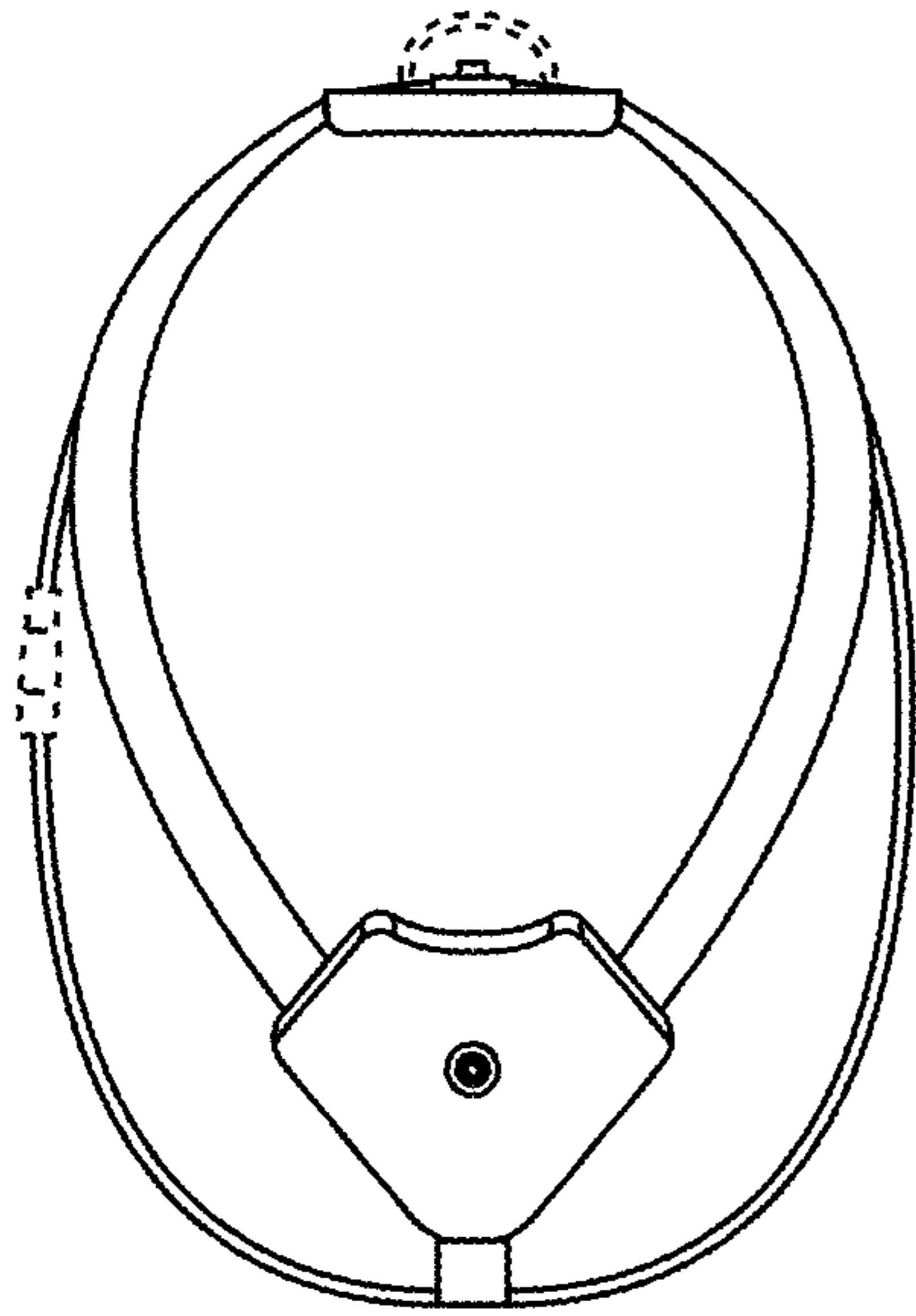


FIG. 3

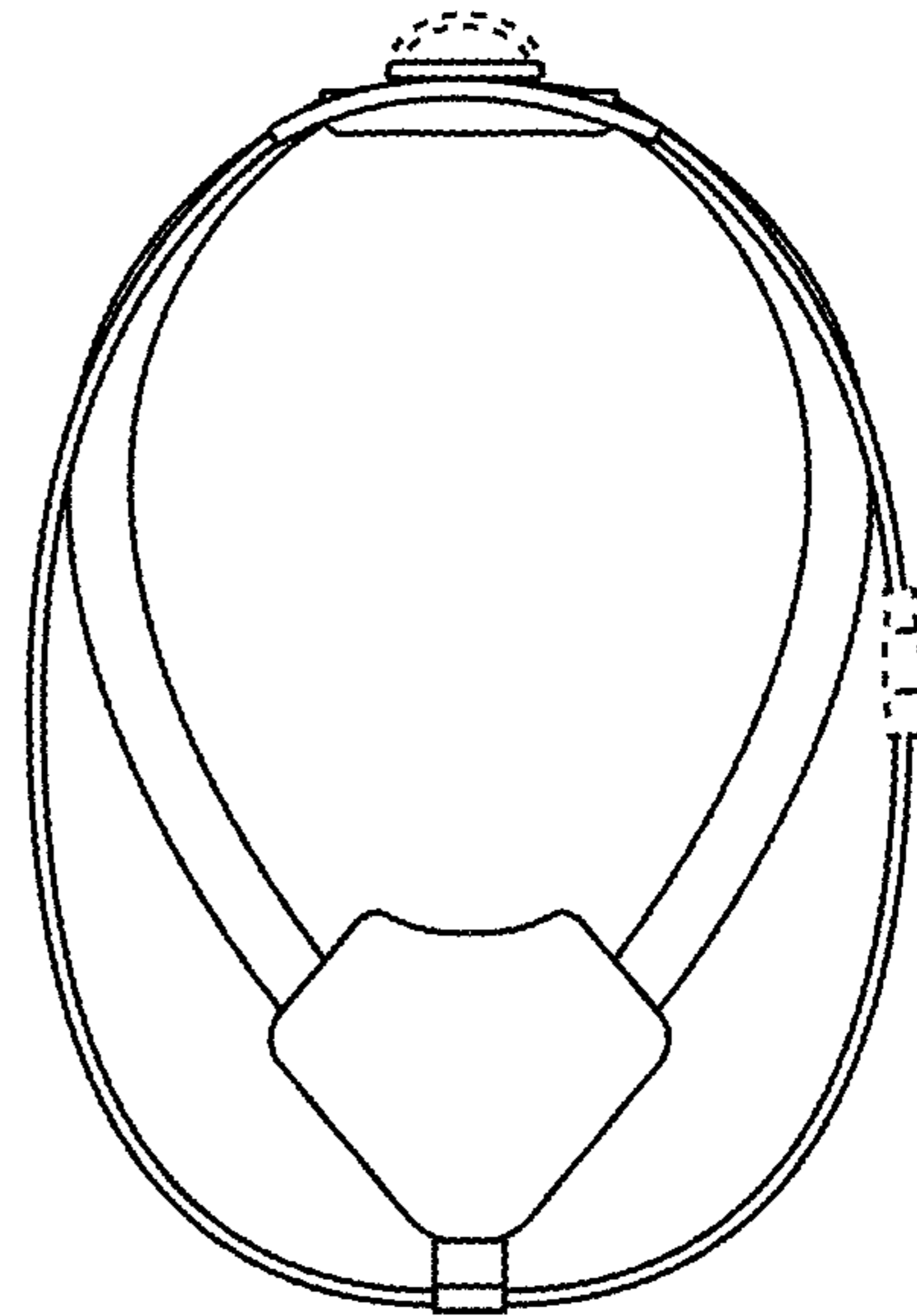


FIG. 4

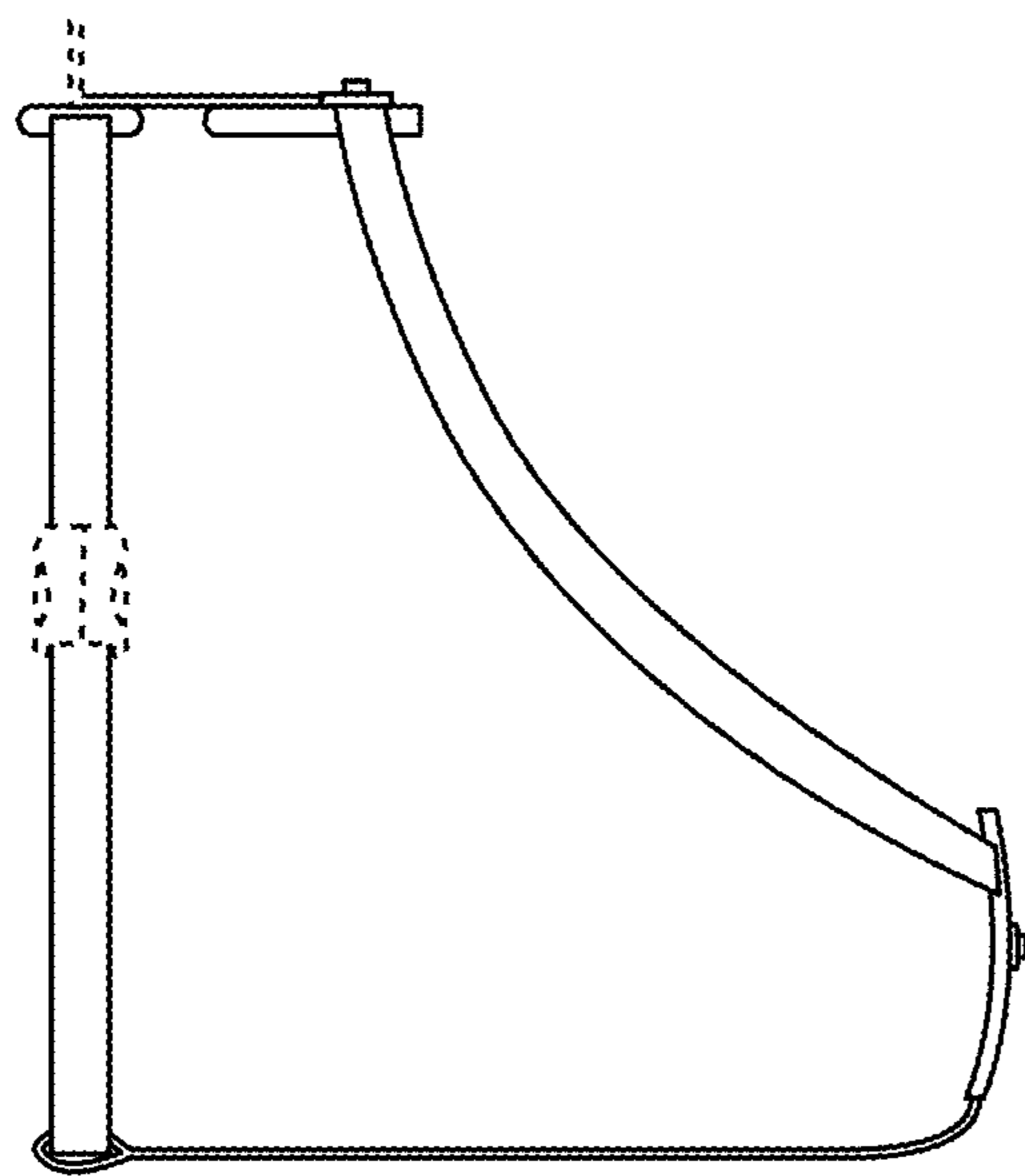


FIG. 5

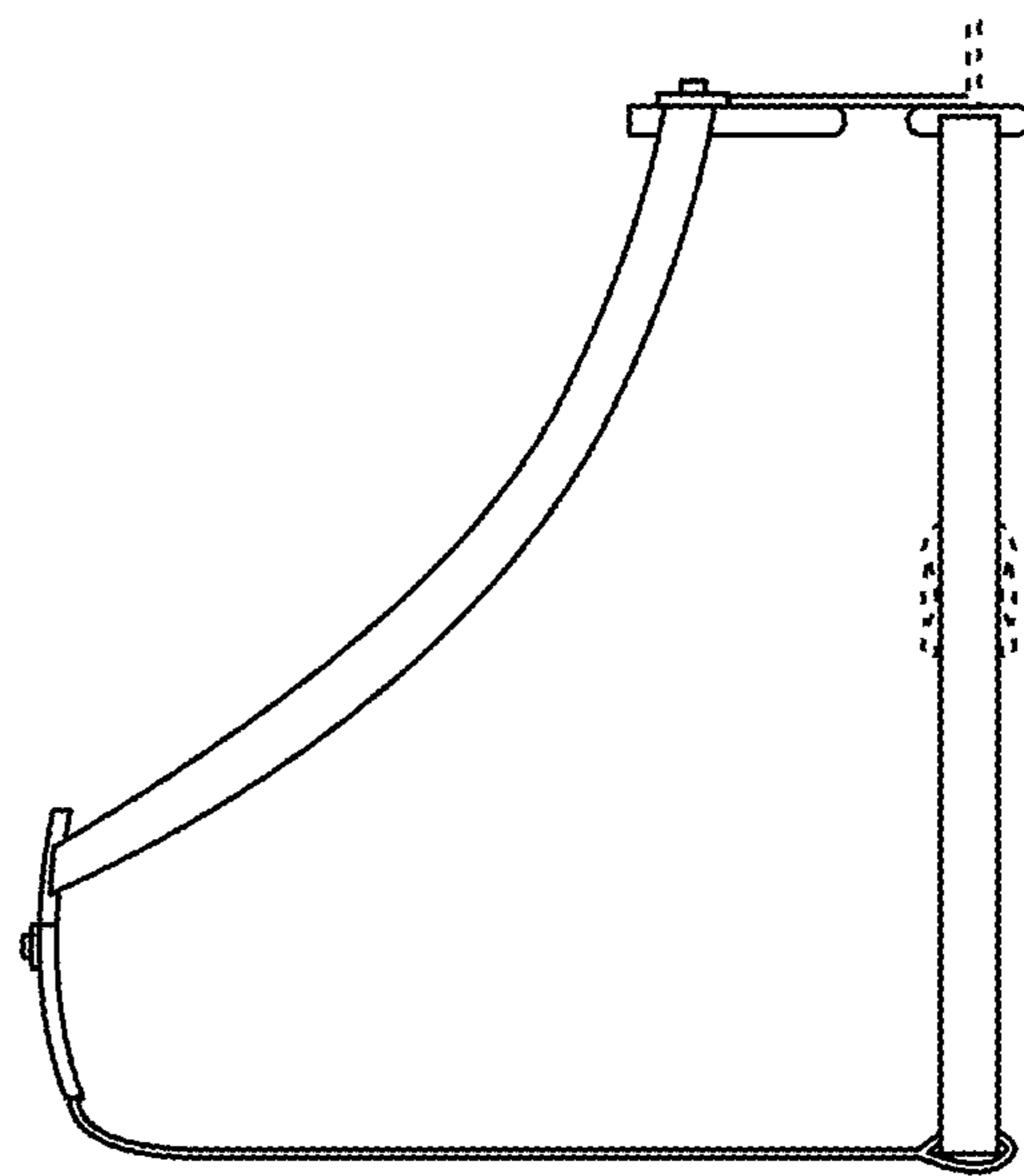


FIG. 6

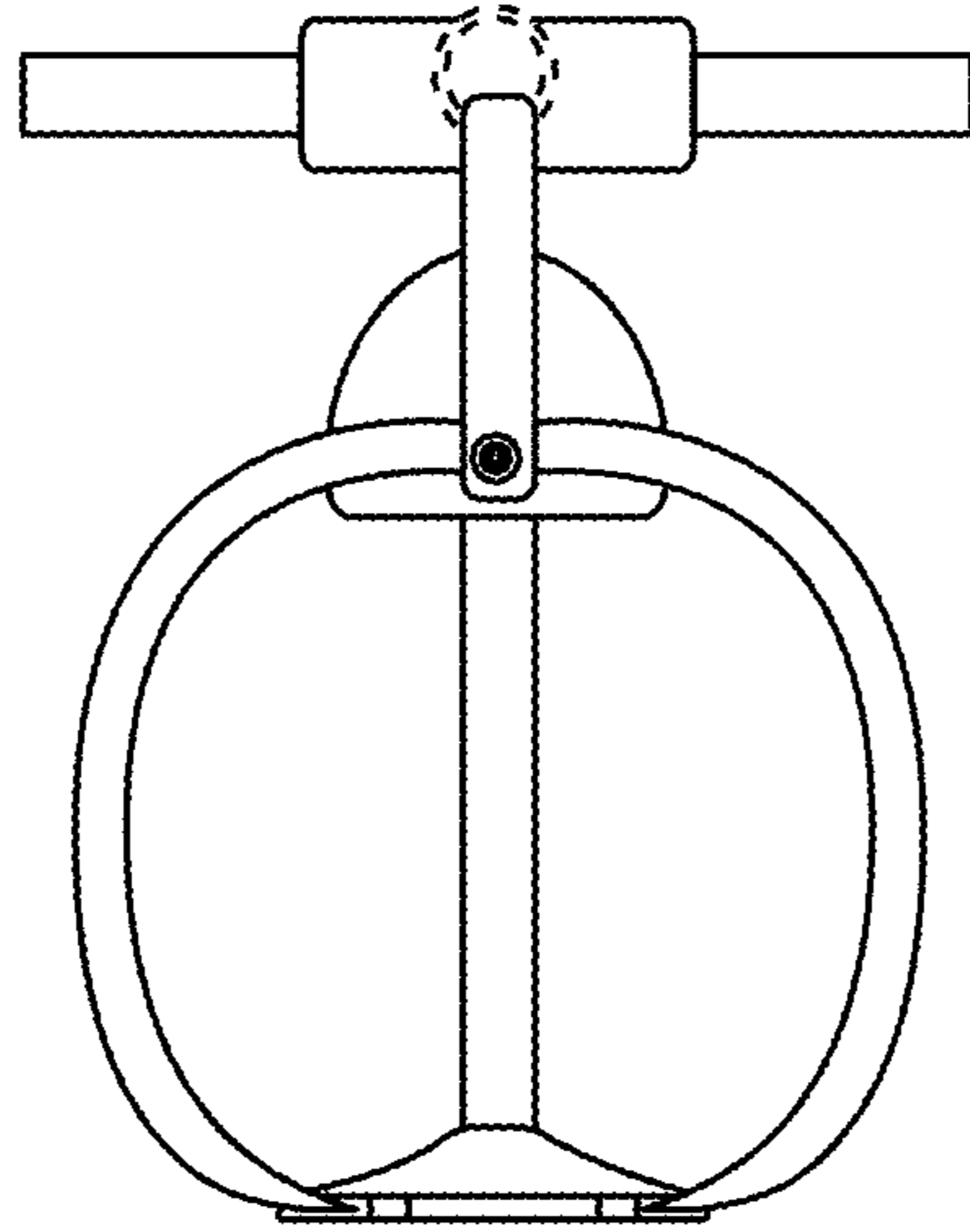


FIG. 7

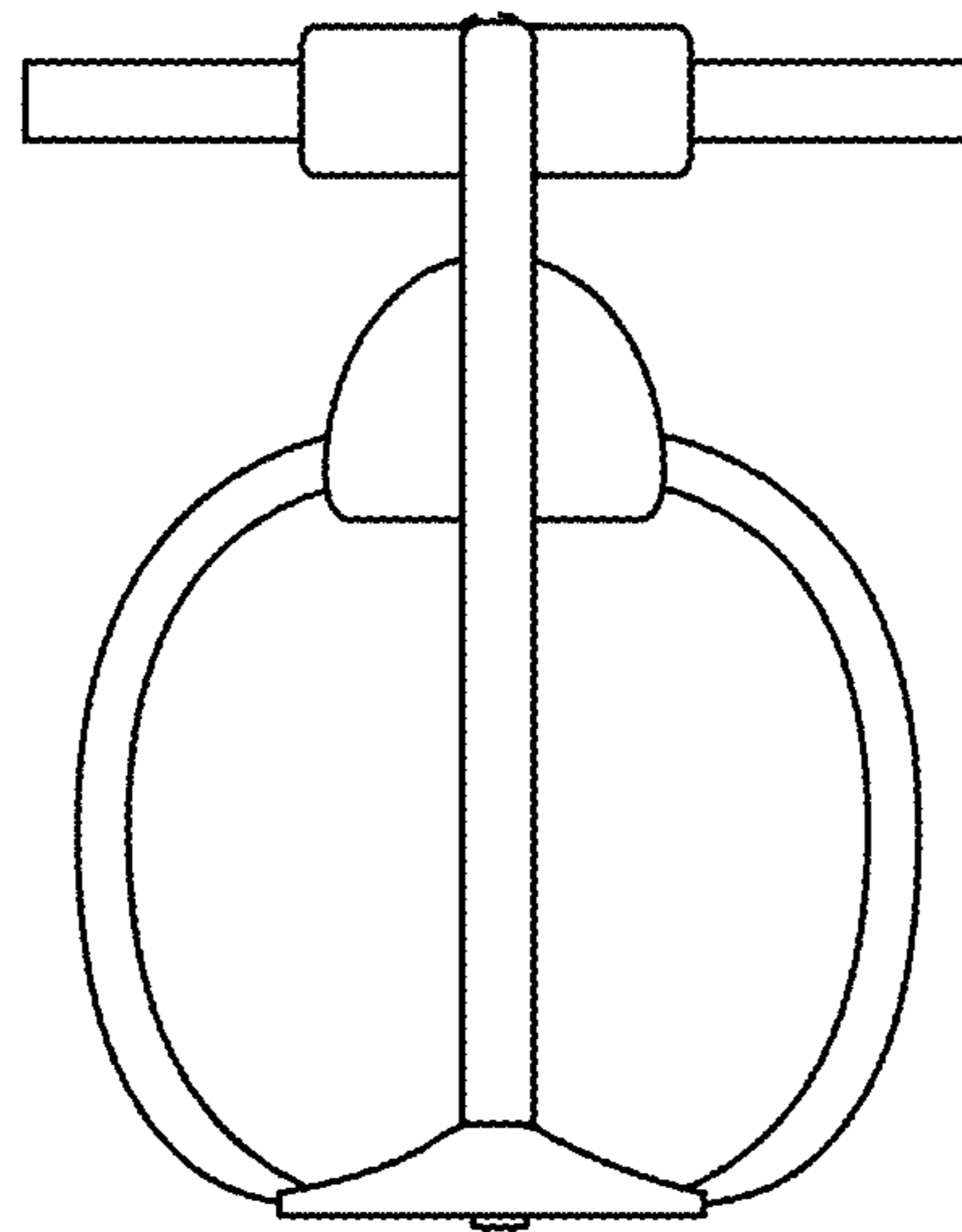


FIG. 8