



US00D975372S

(12) **United States Design Patent**
Hu

(10) **Patent No.: US D975,372 S**
(45) **Date of Patent: ** *Jan. 10, 2023**

(54) **PET WATER DISPENSER**

- (71) Applicant: **Jianguo Hu**, Hunan Province (CN)
- (72) Inventor: **Jianguo Hu**, Hunan Province (CN)
- (*) Notice: This patent is subject to a terminal disclaimer.
- (**) Term: **15 Years**
- (21) Appl. No.: **29/798,213**
- (22) Filed: **Jul. 6, 2021**

(30) **Foreign Application Priority Data**

May 6, 2021 (CN) 202130266336.3

(51) **LOC (14) Cl.** **30-03**

(52) **U.S. Cl.**
USPC **D30/132**

(58) **Field of Classification Search**
 USPC D30/121, 122, 124–126, 128, 129–133,
 D30/199; 119/51.01, 51.02, 51.11, 51.5,
 119/57.92, 61.5, 61.52, 61.54, 61.55,
 119/61.56, 61, 57, 72, 73, 74, 75, 78
 CPC A01K 5/00; A01K 5/0114; A01K 5/0121;
 A01K 5/0135; A01K 7/005; A01K 7/00;
 A01K 39/02; A01K 39/04; A01K 39/0213
 See application file for complete search history.

(56) **References Cited**

U.S. PATENT DOCUMENTS

D849,336 S *	5/2019	Huang	D30/132
D912,333 S *	3/2021	Wang	D30/132
D912,910 S	3/2021	Xue		
D914,300 S *	3/2021	Wu	D30/132
D948,136 S *	4/2022	Xu	D30/132
2009/0266302 A1 *	10/2009	Duval	A01K 7/005 248/228.7

OTHER PUBLICATIONS

“PETNF Cat Water Fountain” available Nov. 7, 2019, [online], [site visited Jun. 1, 2022], Retrieved from Internet, URL:https://www.amazon.com/Automatic-Dispenser-Adjustable-Activated-Replaceable/dp/B07ZVHMRPS/ref=sr_1_24 (Year: 2019).*

“Petory Cat Water Fountain” available Jan. 16, 2022, [online], [site visited Jun. 1, 2022]. Retrieved from Internet, URL:https://www.amazon.com/Petory-Cat-Water-Fountain-Replacement/dp/B09QJRTW2S/ref=sr_1_36 (Year: 2022).*

“Fordenzo Cat Water Fountain” available Oct. 3, 2021, [online], [site visited Jun. 1, 2022]. Retrieved from Internet, URL:https://www.amazon.com/dp/B09HHBN6VG (Year: 2021).*

“Hapup Cat Water Fountain” available Dec. 21, 2021, [online], [site visited Jun. 1, 2022]. Retrieved from Internet, URL:https://www.amazon.com/dp/B09NY1JBPX/ref=sspa_dk_detail_6 (Year: 2021).*

* cited by examiner

Primary Examiner — W. A. Teddy Falloway

Assistant Examiner — Katrina N Gonzalez

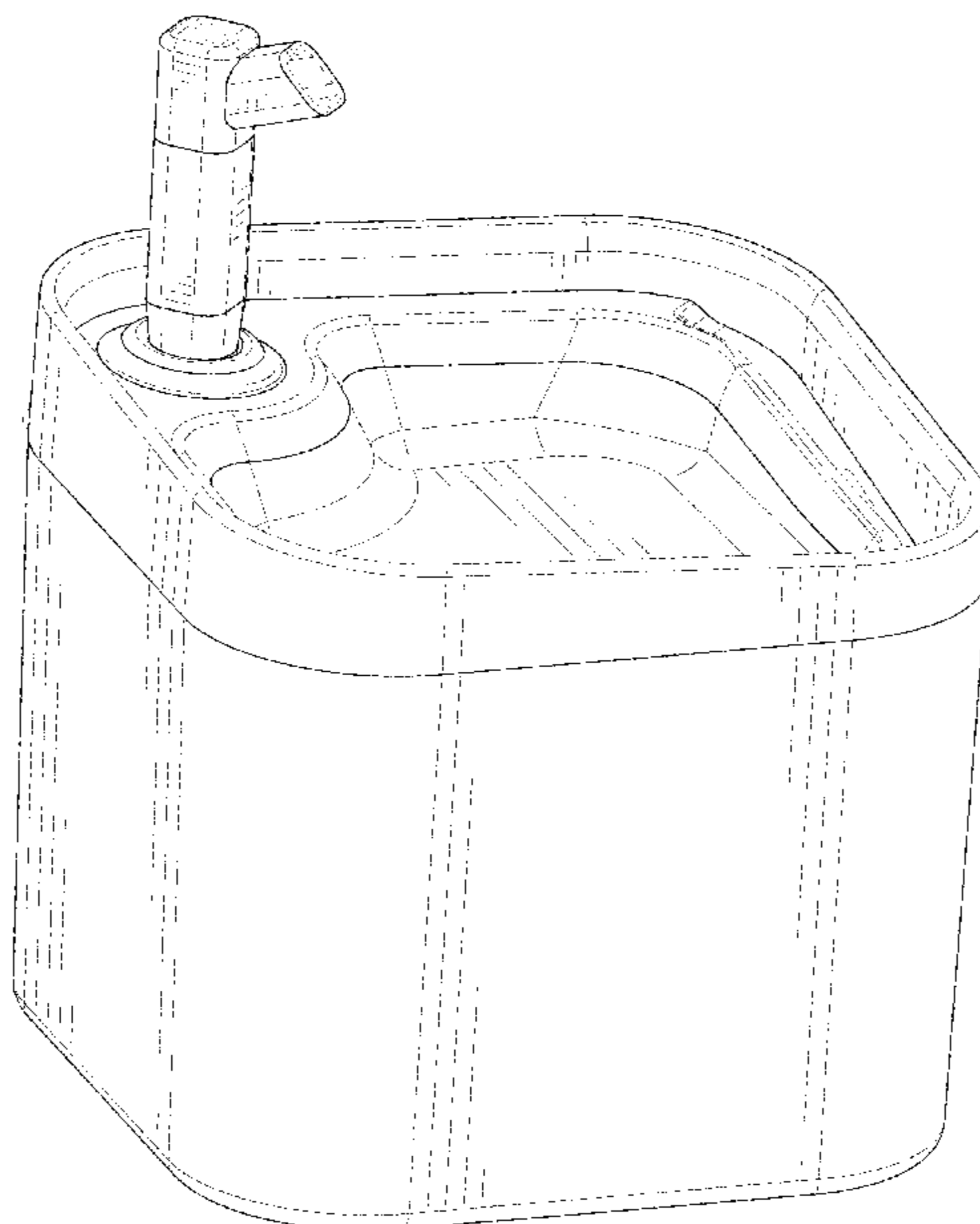
(57) **CLAIM**

The ornamental design for a pet water dispenser, as shown and described.

DESCRIPTION

FIG. 1 is a front and top perspective view of a pet water dispenser, showing my new design;
 FIG. 2 is a rear and bottom perspective view thereof;
 FIG. 3 is a front elevation view thereof;
 FIG. 4 is a rear elevation view thereof;
 FIG. 5 is a left side elevation view thereof;
 FIG. 6 is a right side elevation view thereof;
 FIG. 7 is a top plan view thereof; and,
 FIG. 8 is a bottom plan view thereof.
 The broken lines in the figures illustrate portions of the pet water dispenser that form no part of the claimed design.

1 Claim, 8 Drawing Sheets



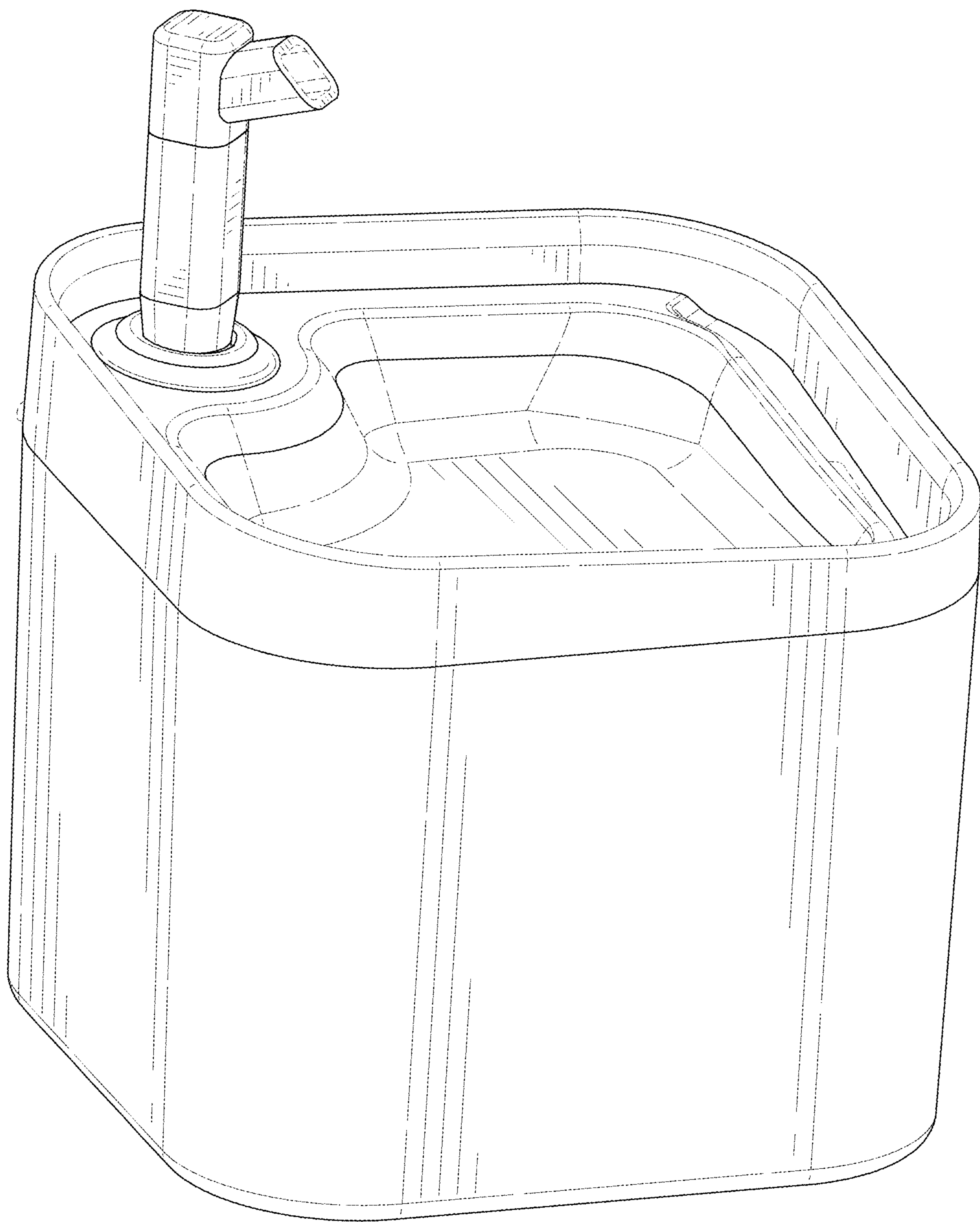


FIG. 1

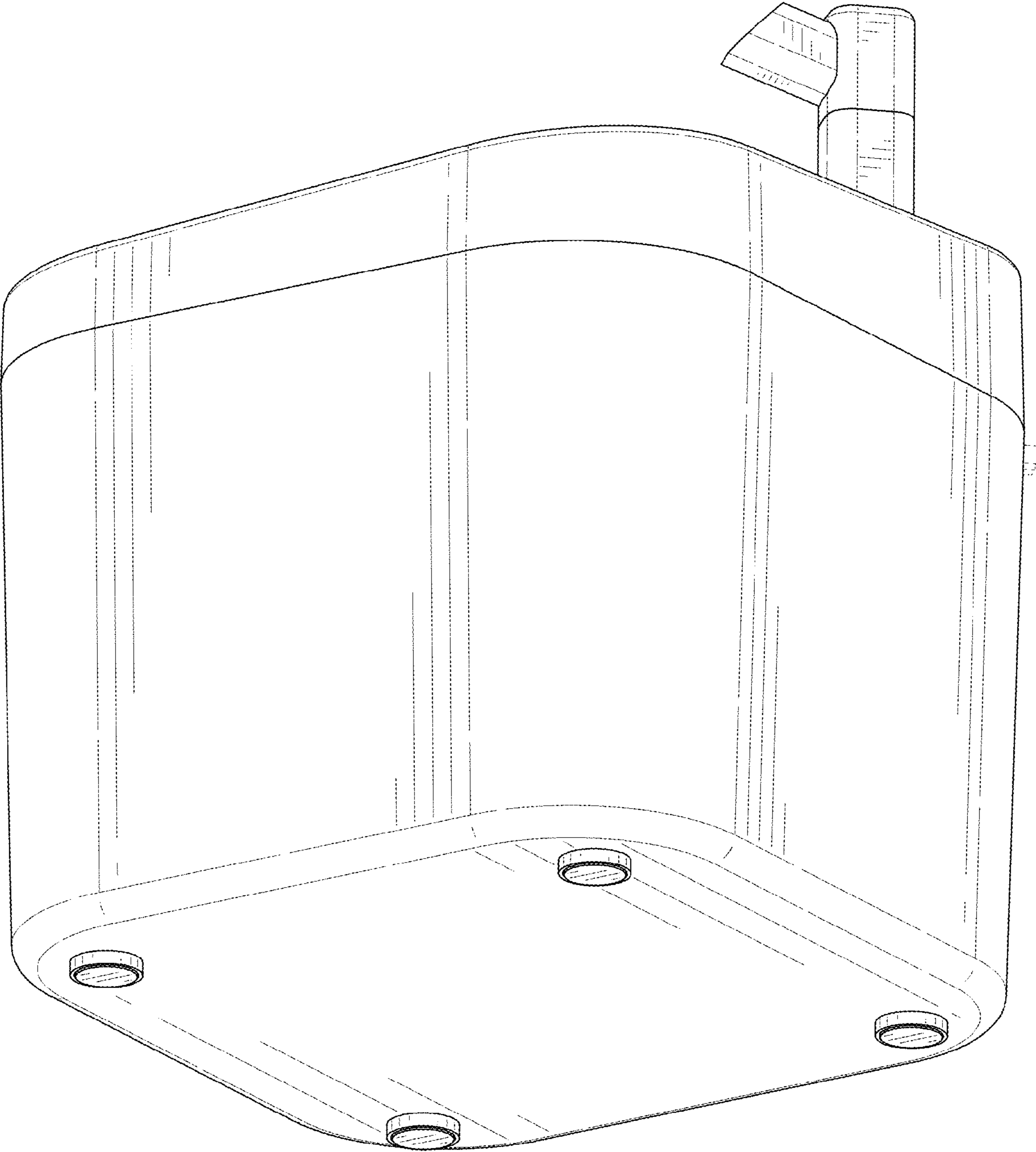


FIG. 2

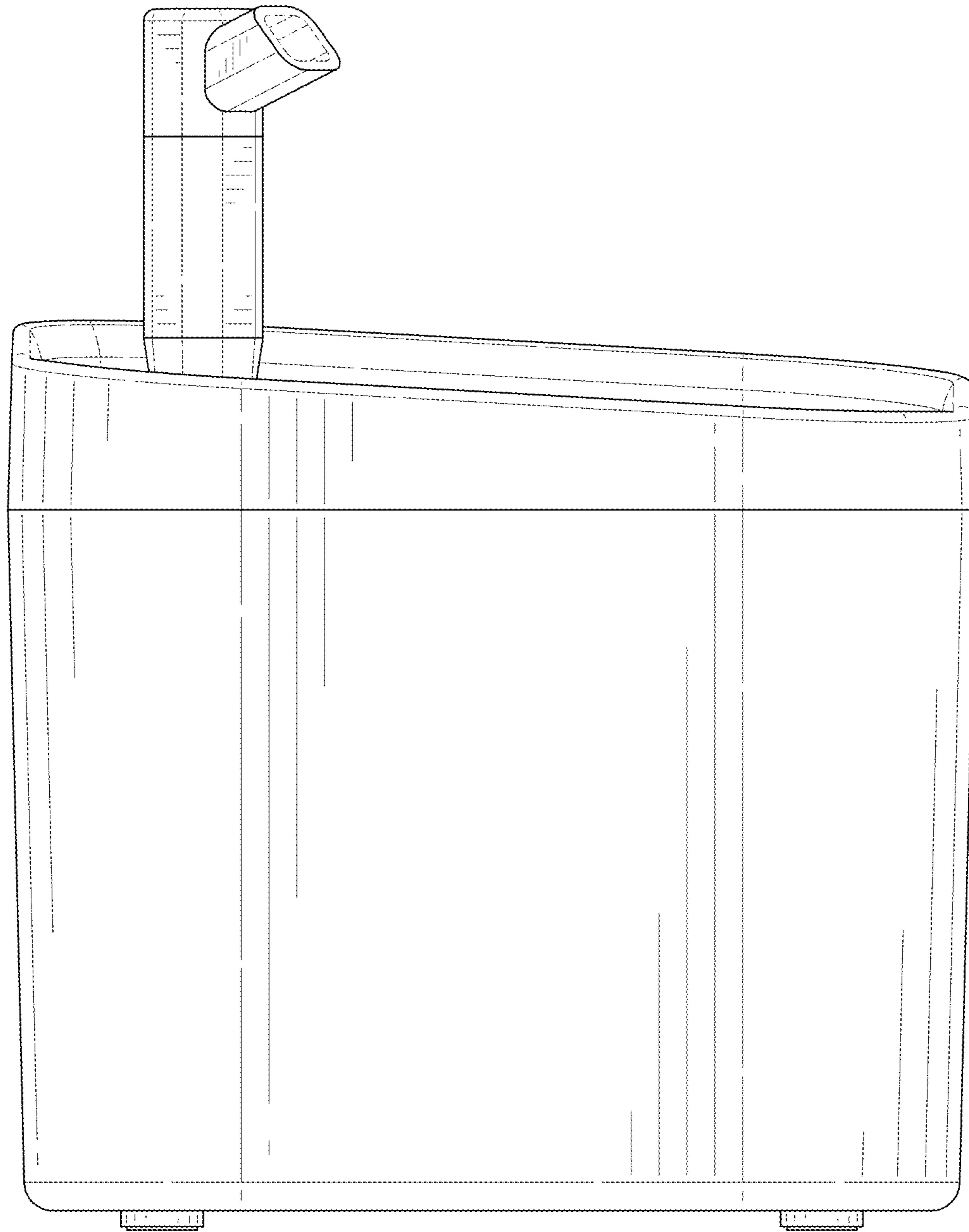


FIG. 3

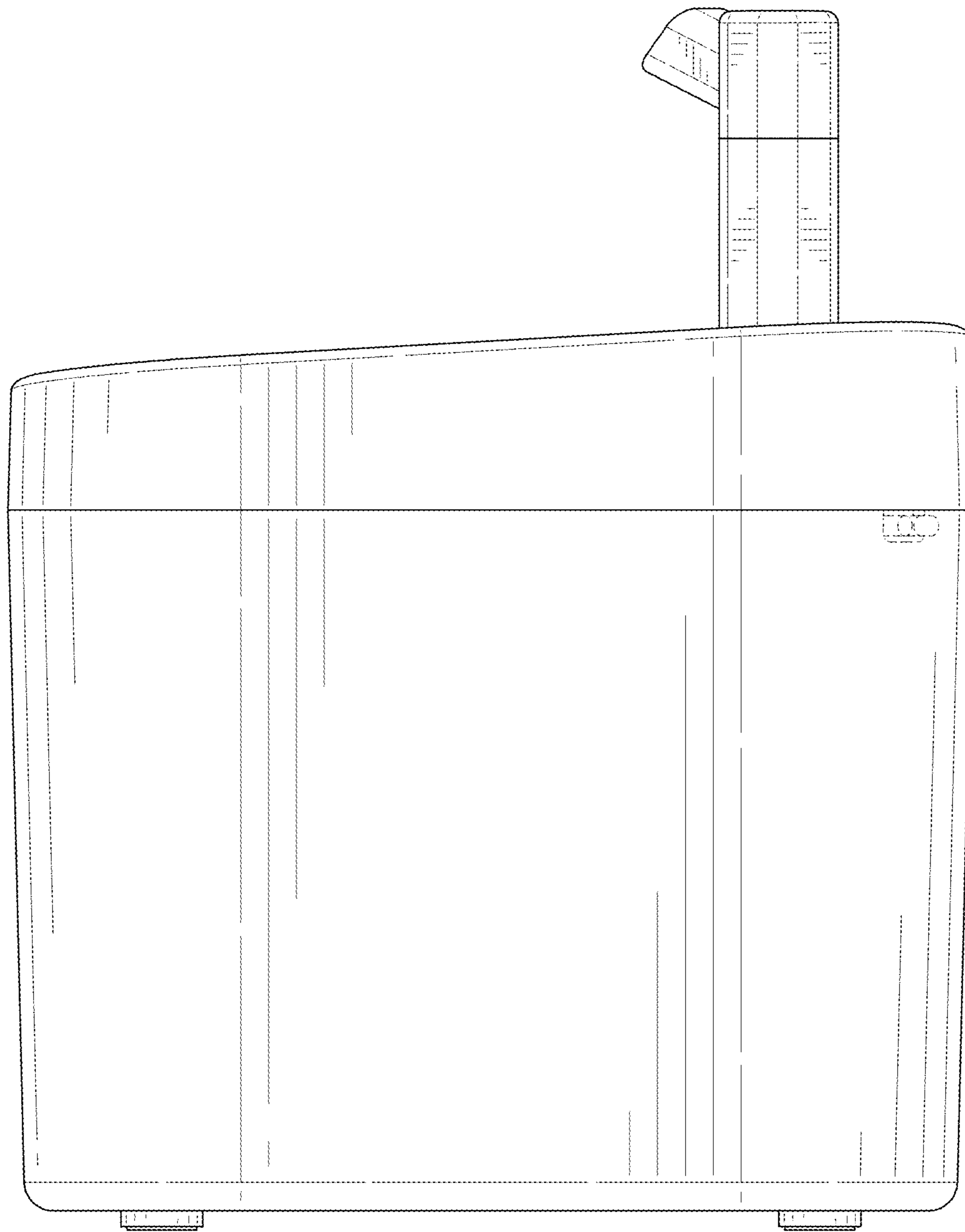


FIG. 4

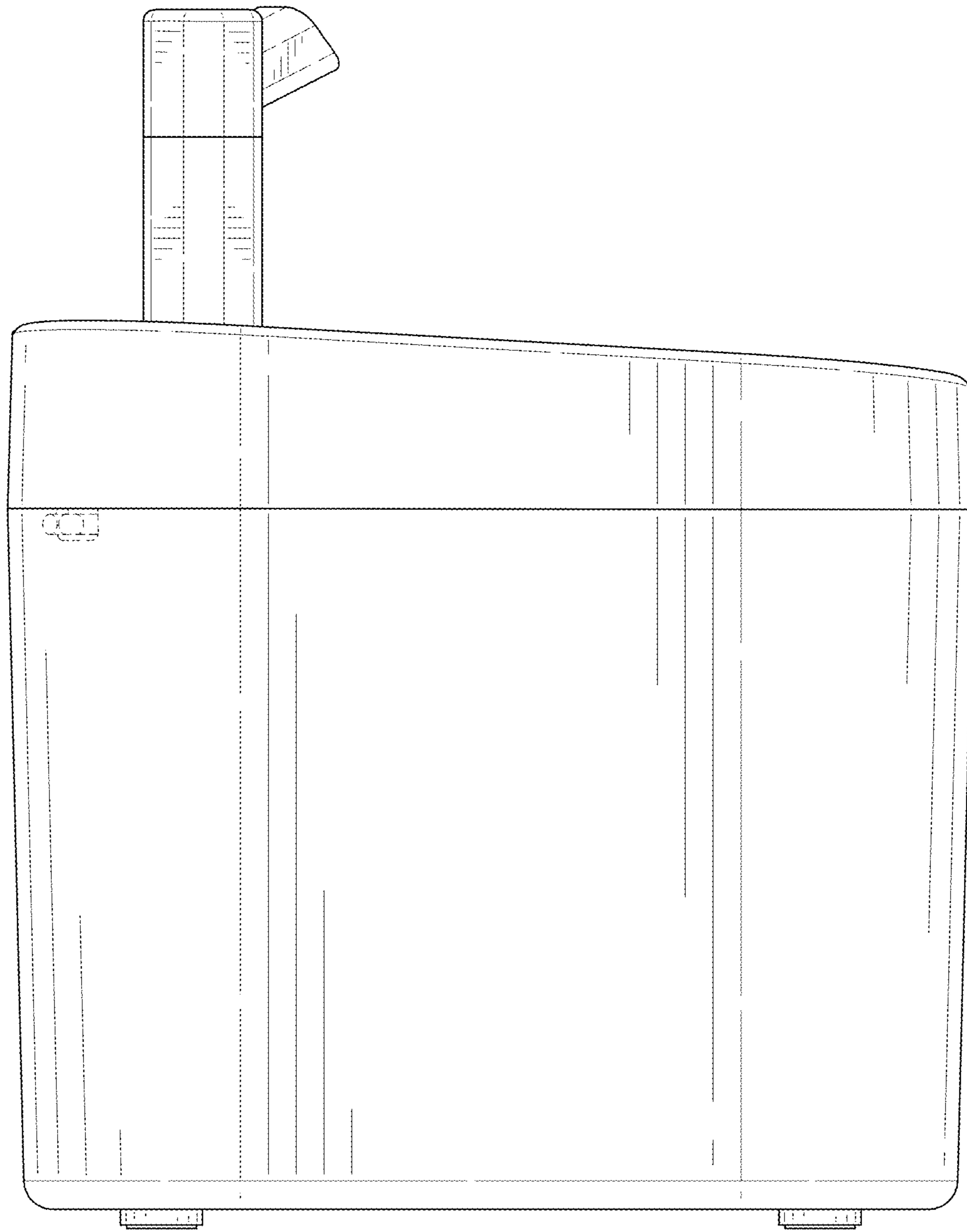


FIG. 5

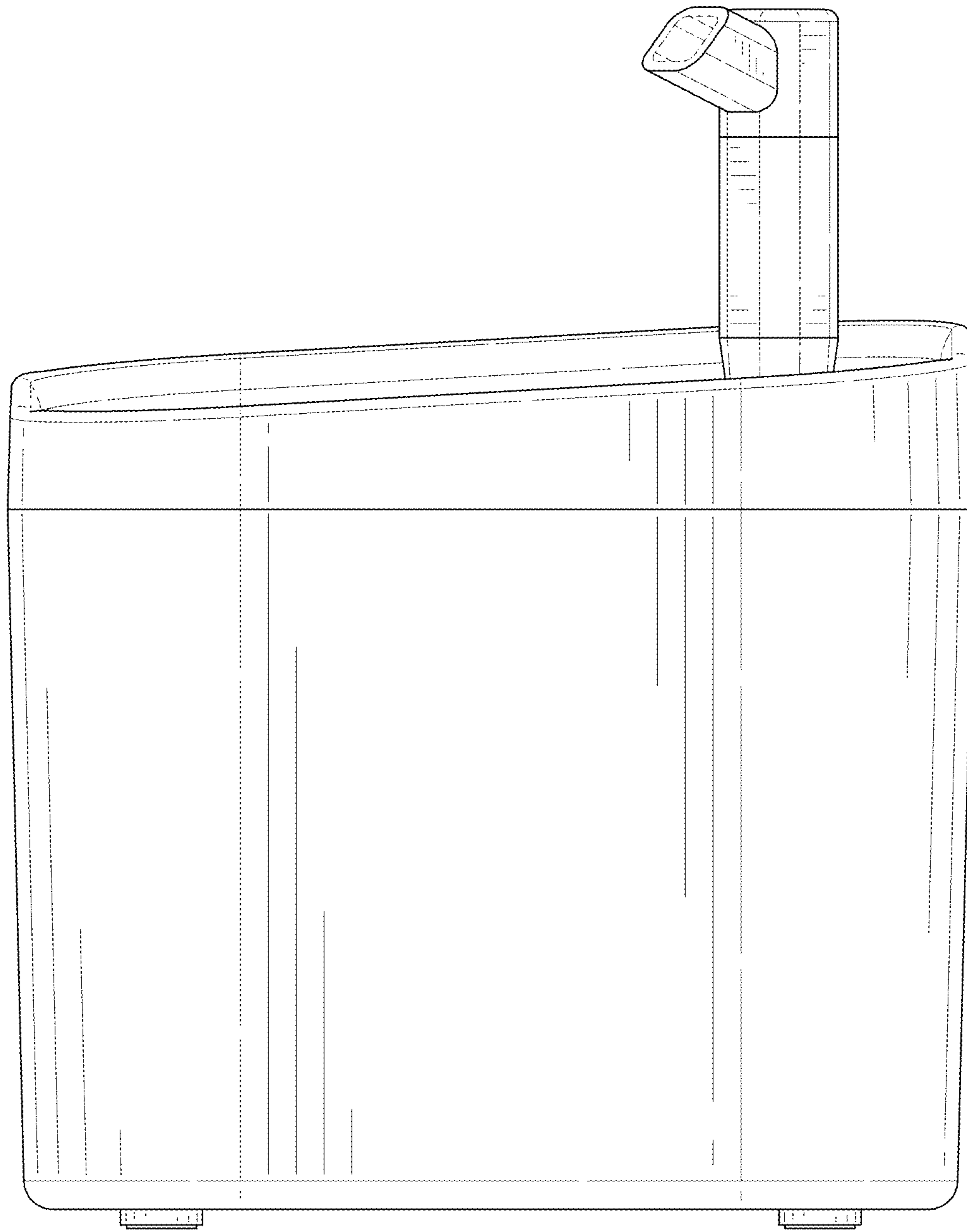


FIG. 6

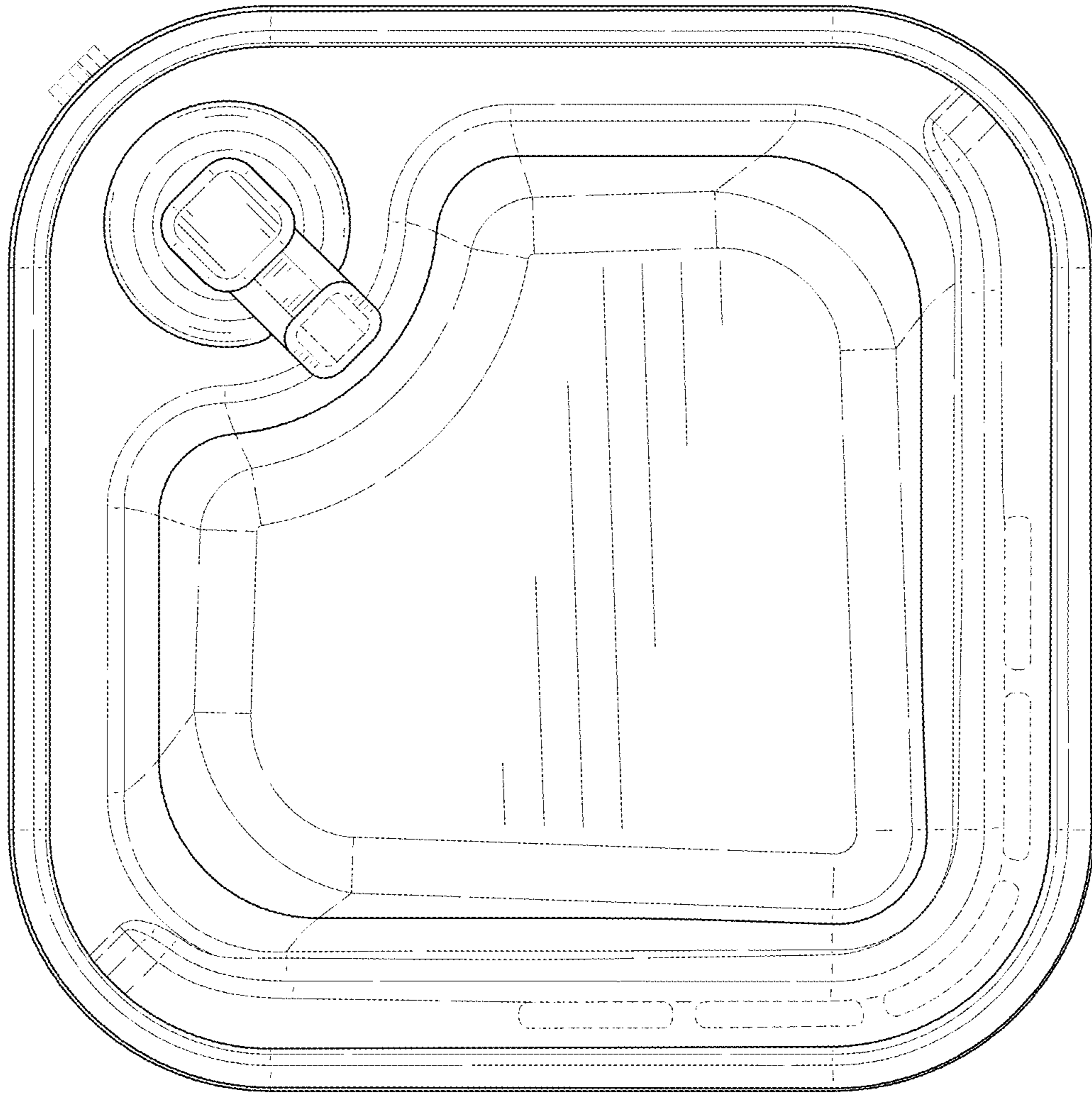


FIG. 7

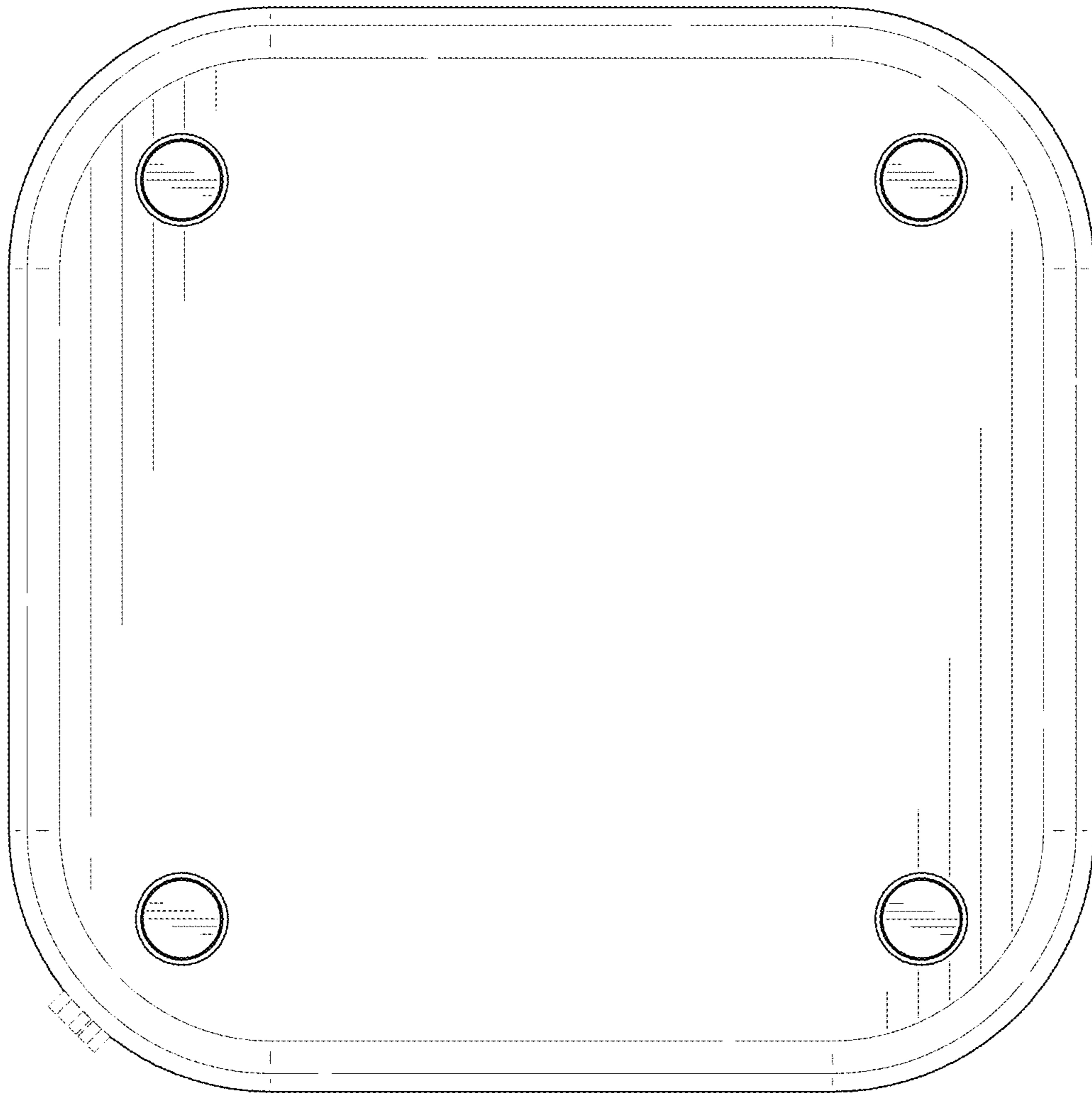


FIG. 8