



US00D975371S

(12) **United States Design Patent** (10) **Patent No.:** **US D975,371 S**
Hu (45) **Date of Patent:** **** Jan. 10, 2023**

(54) **PET FOUNTAIN**

(71) Applicant: **SHENZHEN WANDI TECHNOLOGY CO., LTD.**, Shenzhen (CN)

(72) Inventor: **Fanjin Hu**, Shenzhen (CN)

(73) Assignee: **SHENZHEN WANDI TECHNOLOGY CO., LTD.**, Shenzhen (CN)

(**) Term: **15 Years**

(21) Appl. No.: **29/791,403**

(22) Filed: **Jan. 10, 2022**

(51) **LOC (14) Cl.** **30-03**

(52) **U.S. Cl.**
USPC **D30/132; D30/122**

(58) **Field of Classification Search**
USPC D30/110, 114, 115, 116, 121, 122, 124, D30/125, 127, 128, 129, 130, 131, 132, D30/133; D7/566, 587; D21/340; 119/72, 74
CPC A01K 5/0114; A01K 5/0121; A01K 5/02; A01K 5/0291; A01K 5/025; A01K 5/0266; A01K 5/0275; A01K 5/0283; A01K 5/0258; A01K 5/0142; A01K 5/0233; A01K 29/00; A01K 7/00; A01K 7/02; A01K 7/06; A01K 7/04; A01K 7/005; A01K 7/022; A01K 7/025; A01K 7/027; A01K 5/0216; A01K 39/02; A01K 39/0113; G01F 11/24; G01F 23/02; B67D 1/0425; B67D 1/04; B67D 1/00; B67D 1/02; B67D 1/0871; B67D 1/0802; A47J 41/0033; A47J 41/005; A47J 41/0088; A47J 41/0094; A47J 41/04; A47J 41/053; B05B 11/00; B05B 11/0002; B05B 11/0005; B05B 11/001; C02F 1/003; C02F 1/283; C02F 2307/02

See application file for complete search history.

(56) **References Cited**

U.S. PATENT DOCUMENTS

D820,533	S	*	6/2018	Huang	D30/132
D856,606	S		8/2019	He et al.		
D893,810	S	*	8/2020	Wu	D30/132
D894,500	S	*	8/2020	Cui	D30/132
D912,333	S		3/2021	Wang		
D928,423	S	*	8/2021	Tao	D30/132

(Continued)

OTHER PUBLICATIONS

Meowant Cat Water Fountain. Meowant, amazon.com (online) 13 pages. Posted Dec. 7, 2021. [Retrieved Sep. 2, 2022] <https://a.co/d/3hcsaeq> (Year: 2021).*

(Continued)

Primary Examiner — Kathleen L Jones
Assistant Examiner — Cole Sanders Holman

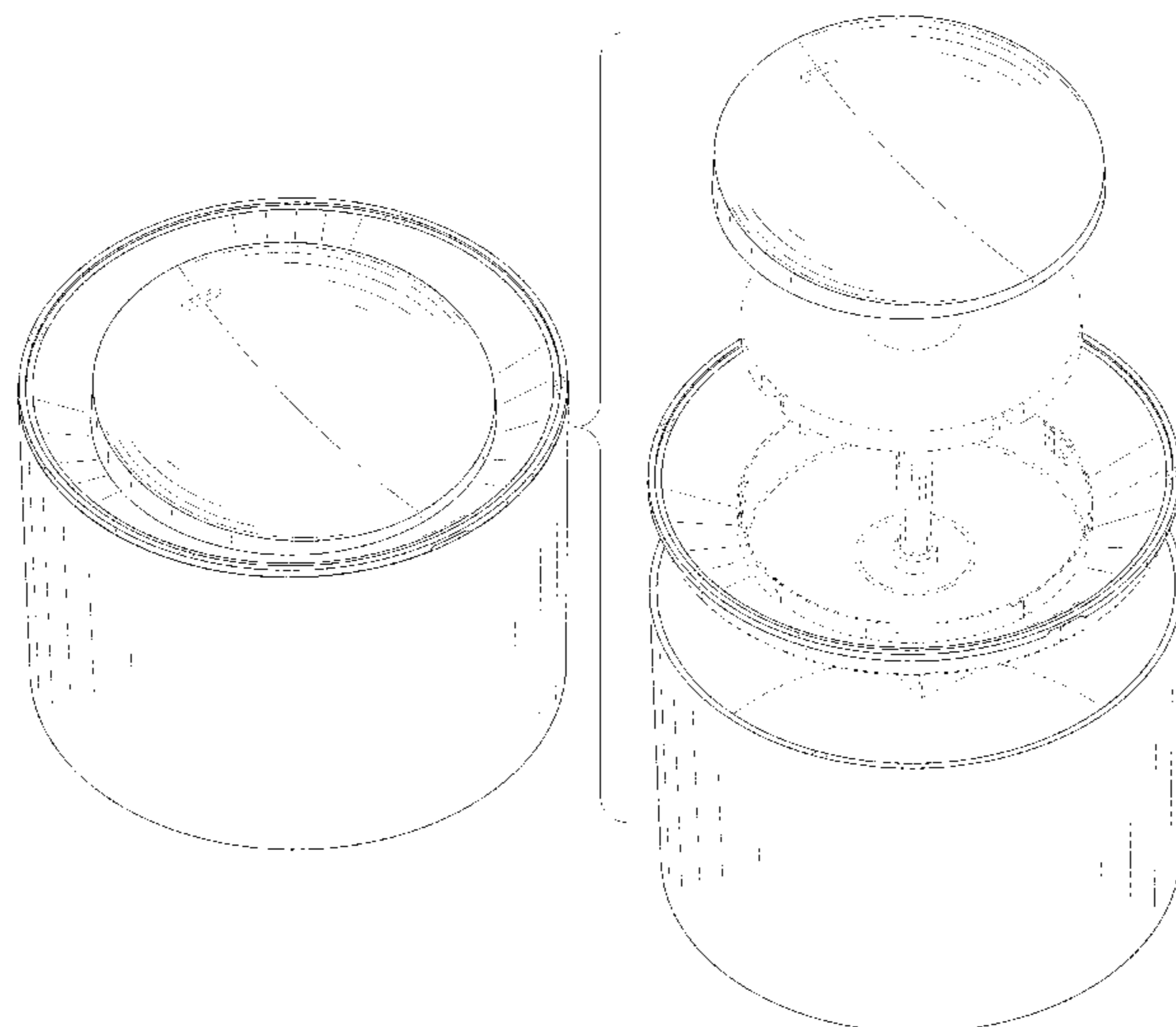
(57) **CLAIM**

The ornamental design for a pet fountain, as shown and described.

DESCRIPTION

FIG. 1 is a perspective view of a pet fountain showing my new design;
FIG. 2 is another perspective view thereof;
FIG. 3 is a front elevational view thereof;
FIG. 4 is a rear elevational view thereof;
FIG. 5 is a left side elevational view thereof;
FIG. 6 is a right side elevational view thereof;
FIG. 7 is a top plan view thereof;
FIG. 8 is a bottom plan view thereof;
FIG. 9 is an exploded perspective view of the pet fountain; and,
FIG. 10 is another exploded perspective view of the pet fountain.
The broken lines in the drawings depict portions of the pet fountain that form no part of the claimed design.

1 Claim, 10 Drawing Sheets



(56)

References Cited

U.S. PATENT DOCUMENTS

D948,136	S	*	4/2022	Xu	D30/132
D950,861	S	*	5/2022	Tu	D30/132
D952,959	S	*	5/2022	Liu	D30/132
D956,366	S	*	6/2022	Liu	D30/132
D958,468	S	*	7/2022	Pan	D30/132
2020/0086245	A1	*	3/2020	Yoo	A01K 7/00
2022/0192149	A1	*	6/2022	Tao	C02F 1/001

OTHER PUBLICATIONS

Petkit Cat Dog Stainless Steel Water Fountain. Petkit, amazon.com (online) 9 pages. Posted Sep. 2, 2019. [Retrieved Sep. 2, 2022] <https://a.co/d/9fTz0GJ> (Year: 2019).*

Dogness Pet Fountain. Dogness, amazon.com (online) 11 pages. Posted Sep. 4, 2019. [Retrieved Sep. 2, 2022] <https://a.co/d/1kkwz0> (Year: 2019).*

Kastty Cat Water Fountain. Kastty, amazon.com (online) 11 pages. Posted Apr. 23, 2021. [Retrieved Sep. 2, 2022] <https://a.co/d/iadRoRE> (Year: 2021).*

Wan Ting, CN Design No. 307444891, published at Orbit, publication date Jul. 8, 2022. Site visited Sep. 2, 2022. Available from internet. (Year: 2022).*

Yan Baoheng, CN Design No. 307114520, published at Orbit, publication date Feb. 15, 2022. Site visited Sep. 2, 2022. Available from internet. (Year: 2022).*

* cited by examiner

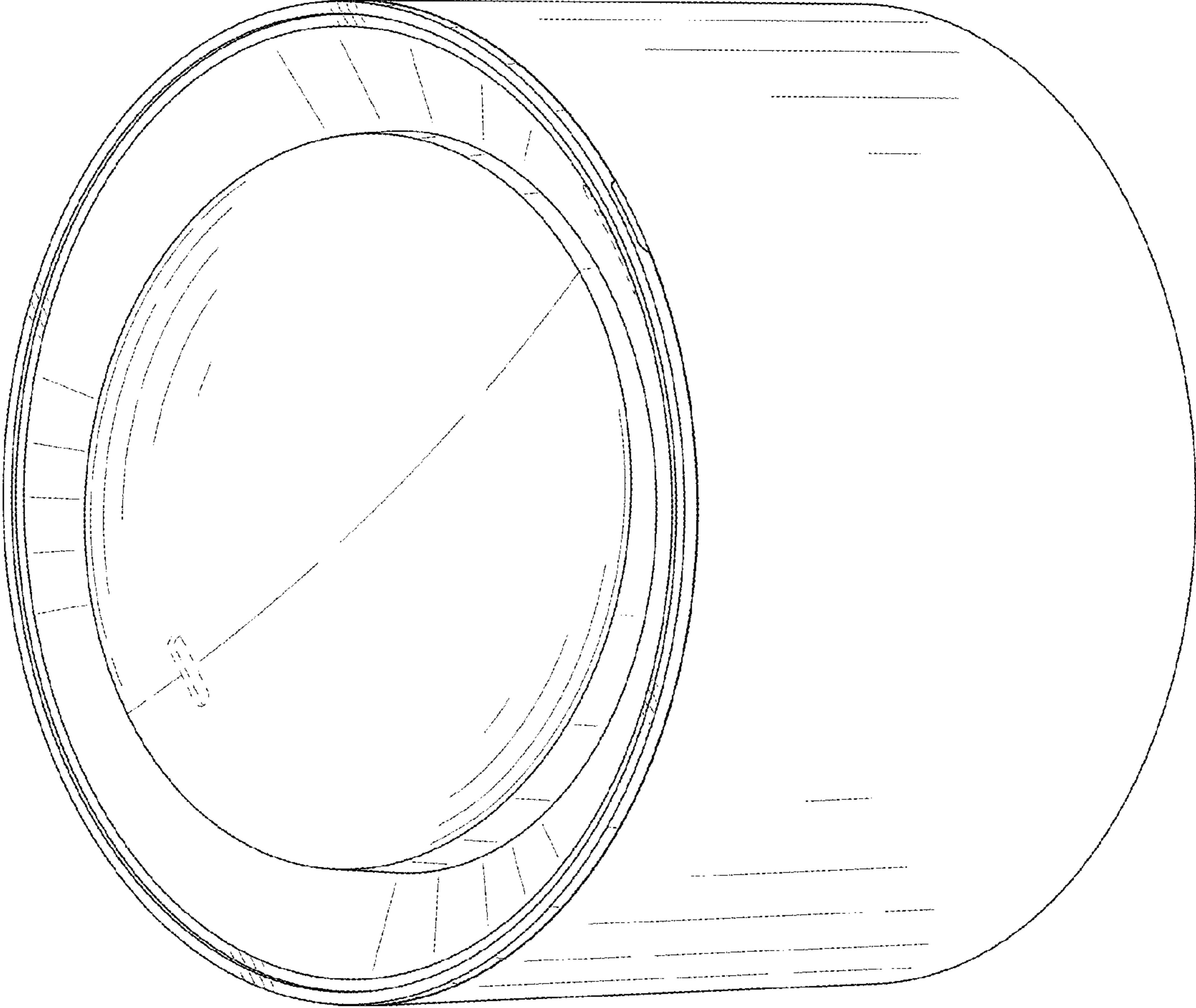


FIG. 1

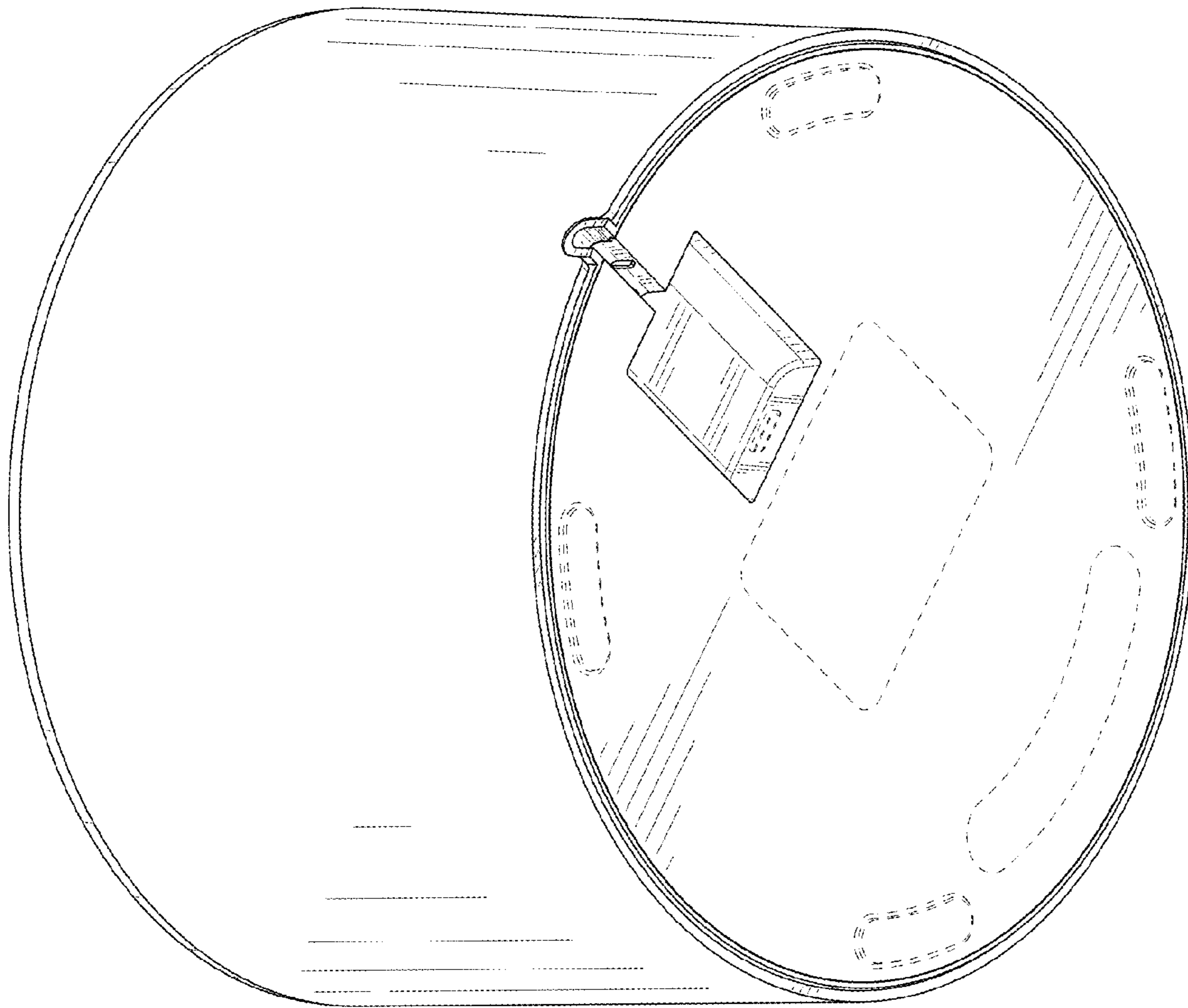


FIG. 2

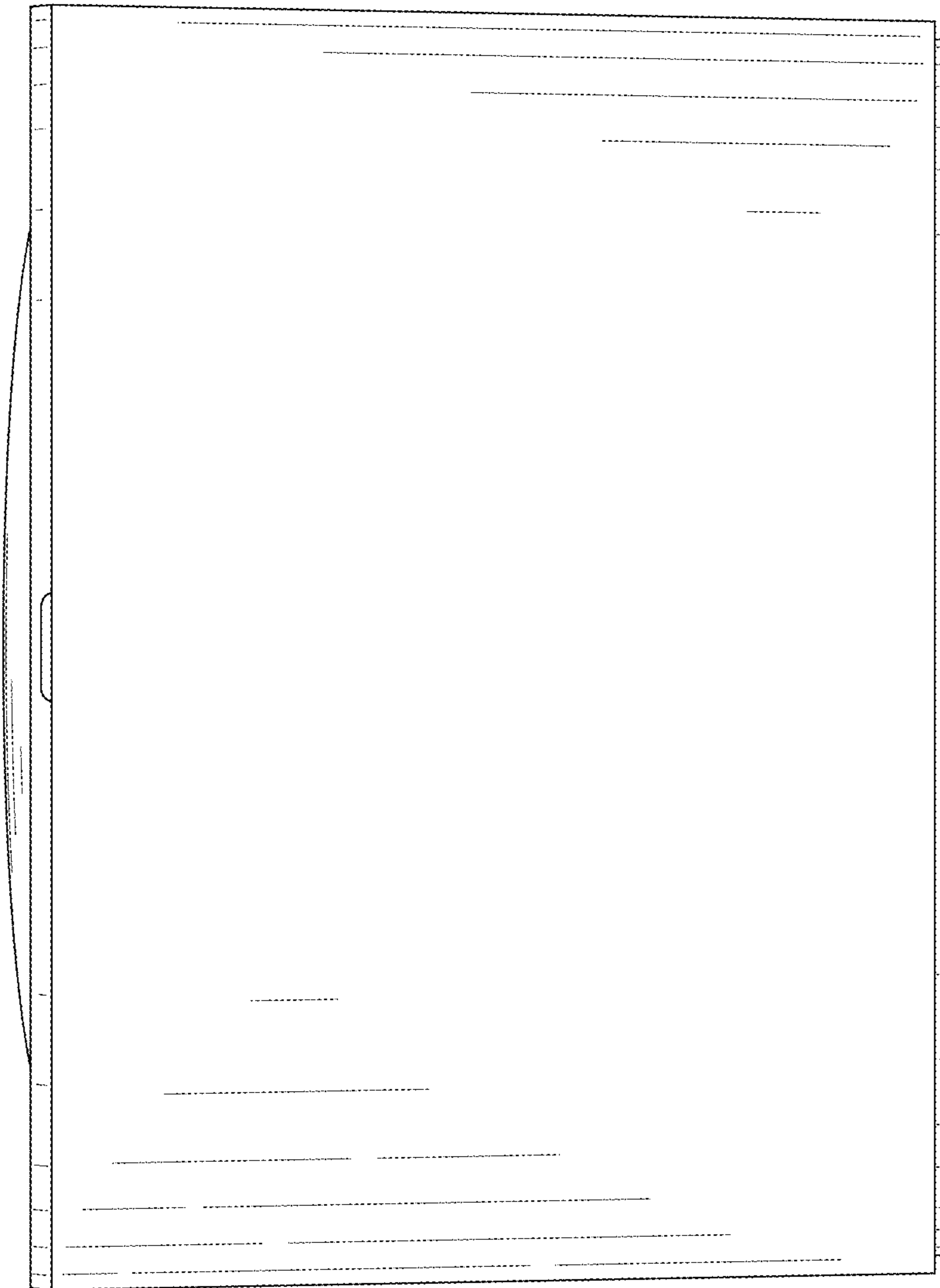


FIG. 3

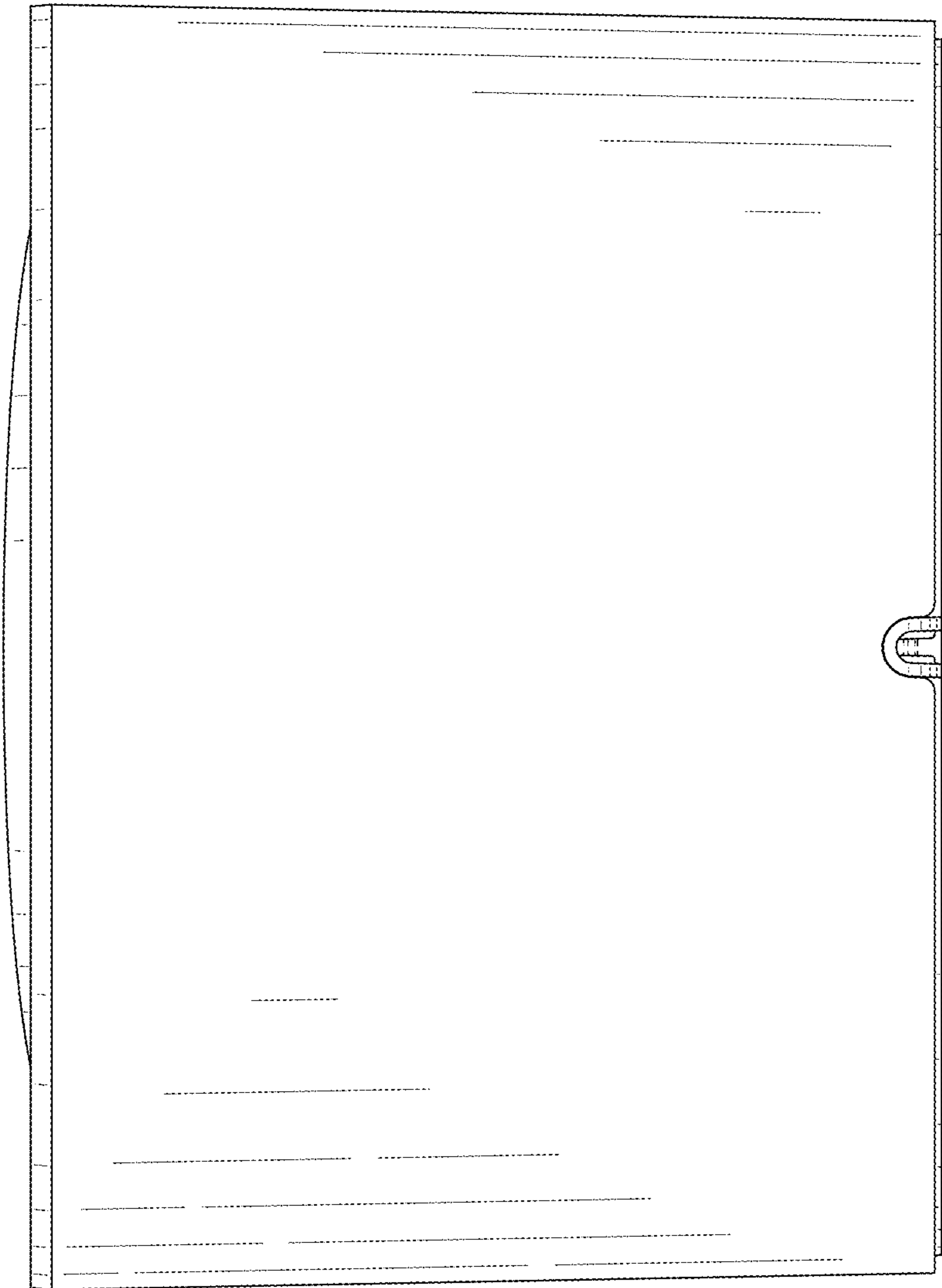


FIG. 4

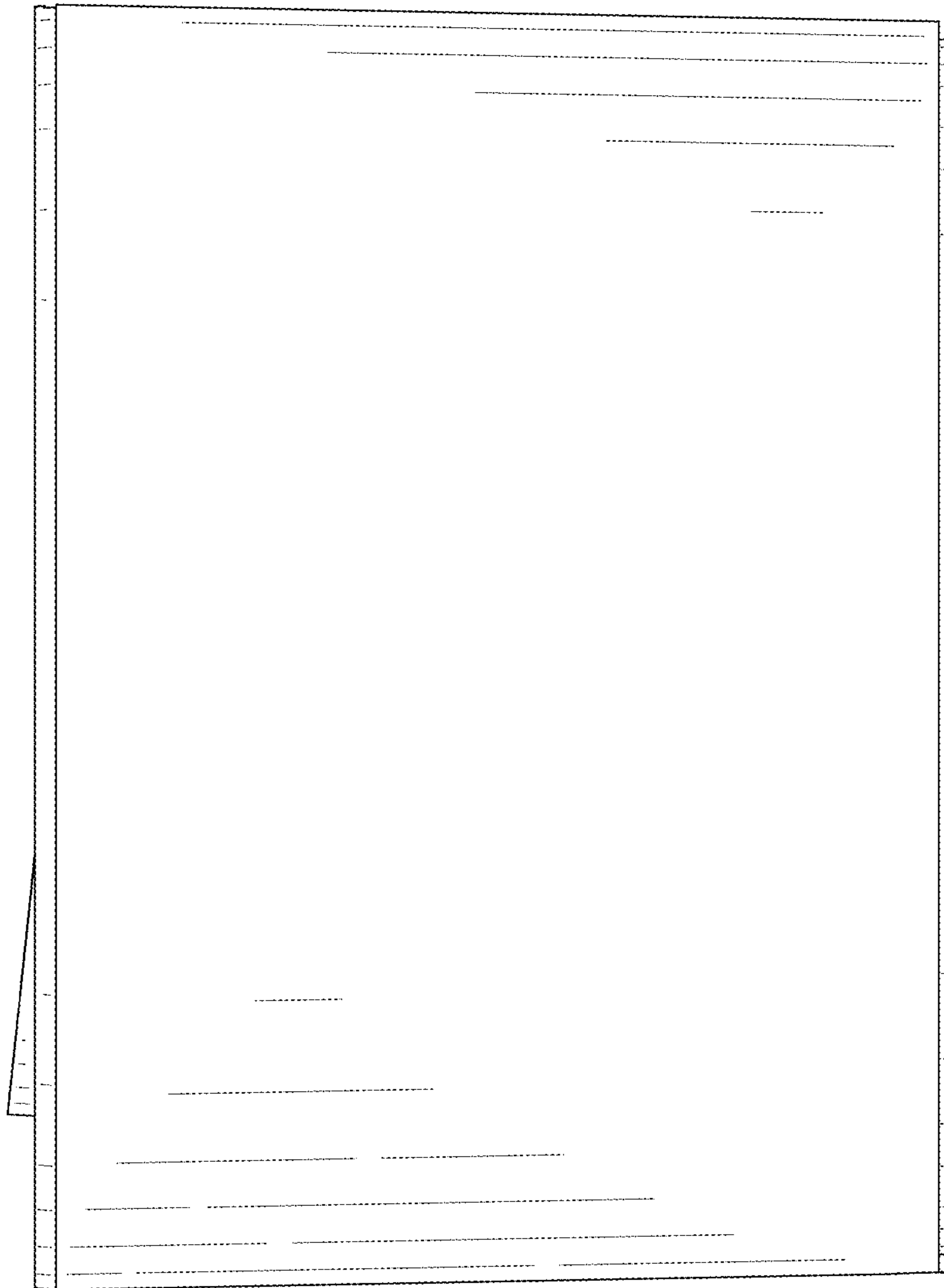


FIG. 5

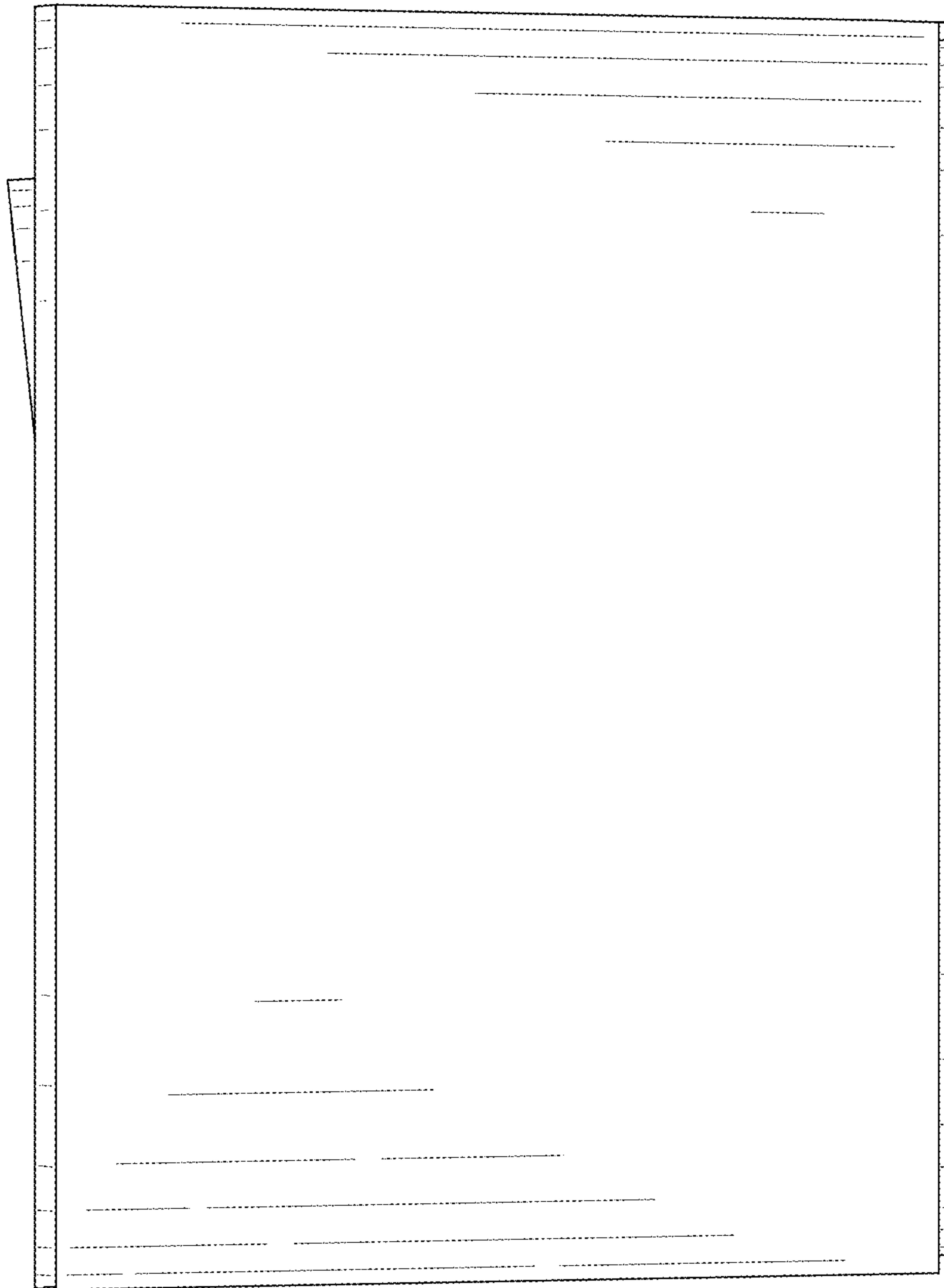


FIG. 6

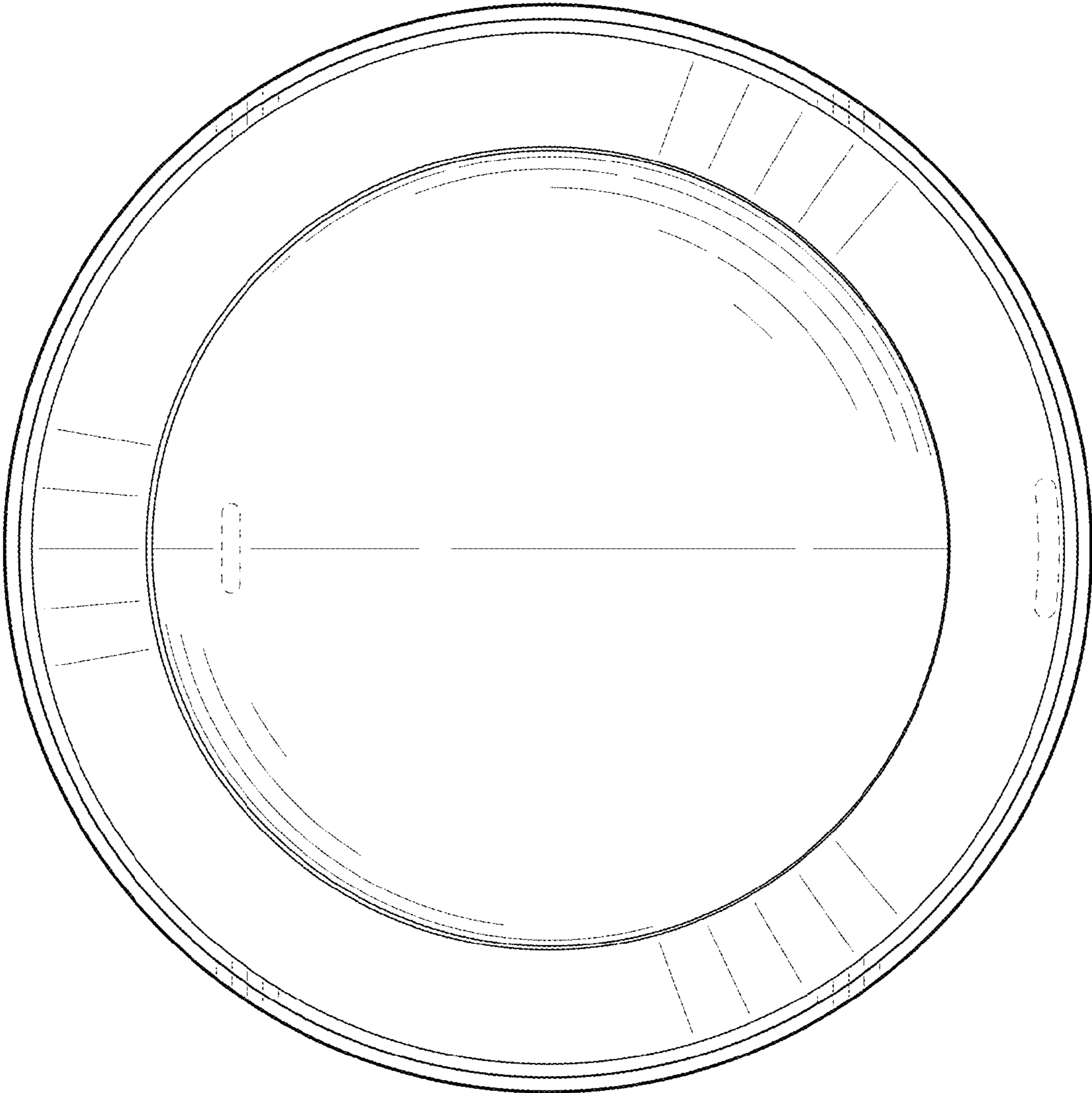


FIG. 7

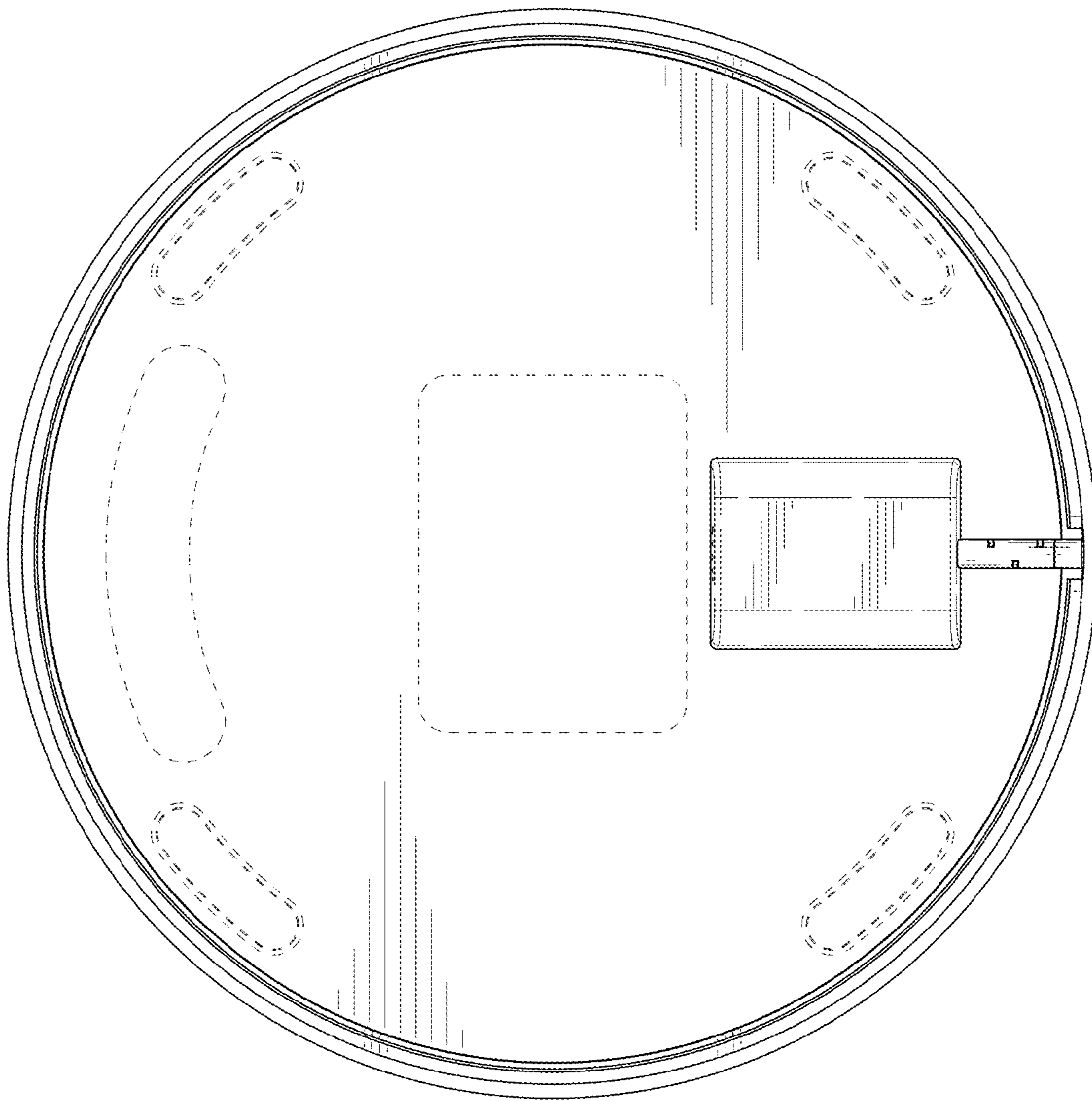


FIG. 8

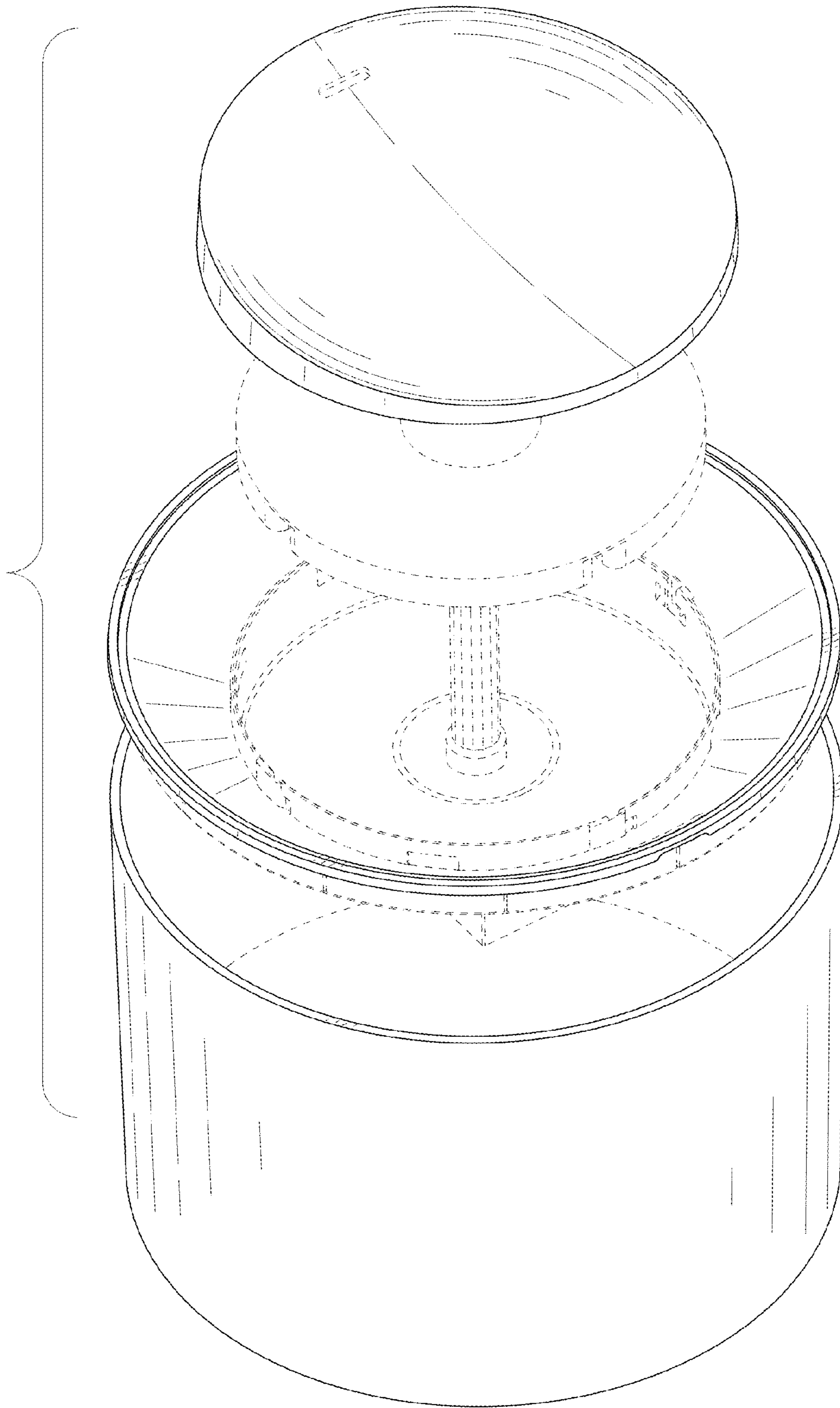


FIG. 9

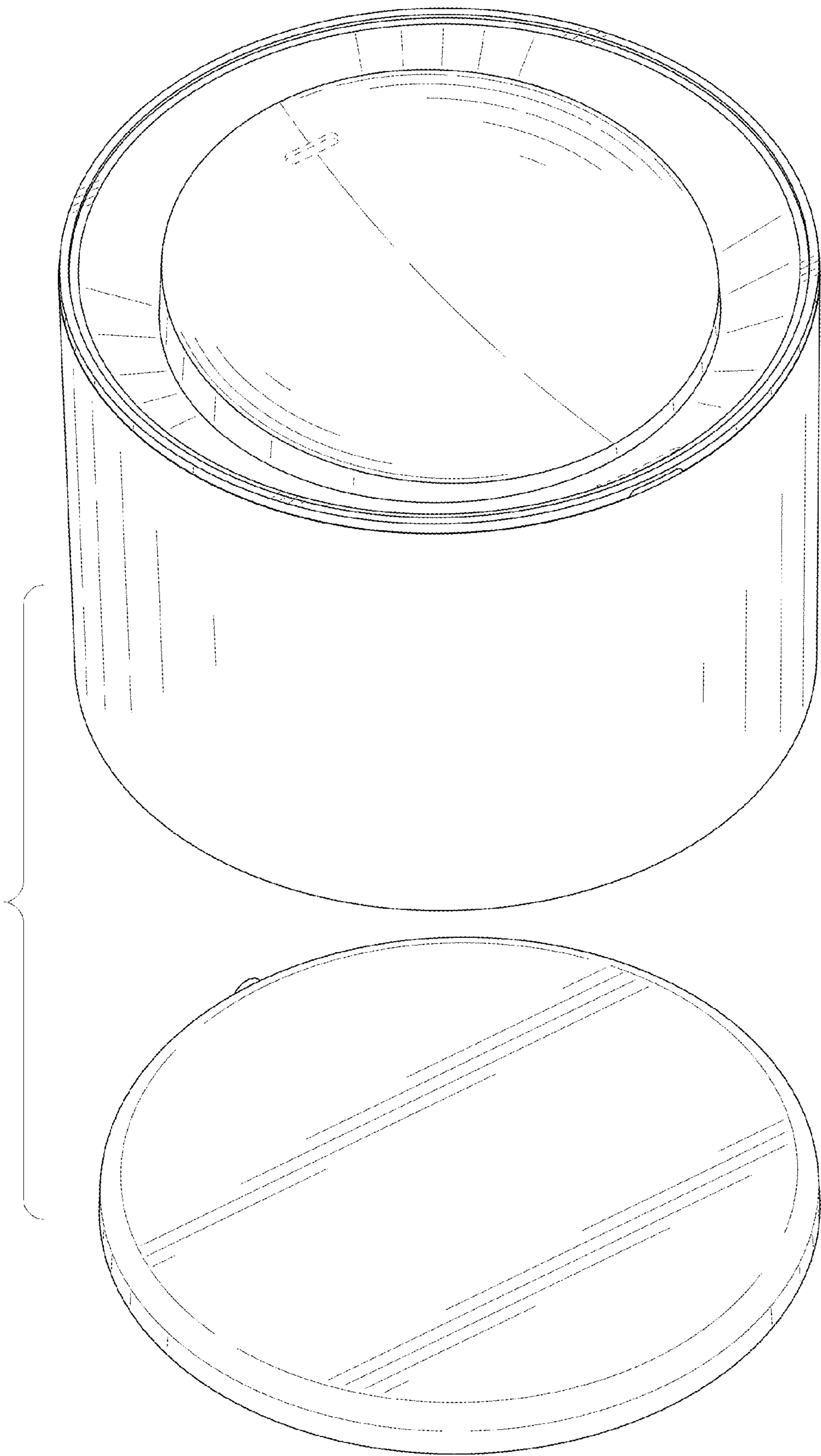


FIG. 10