



US00D975370S

(12) **United States Design Patent**
Yang

(10) **Patent No.:** **US D975,370 S**
(45) **Date of Patent:** **** Jan. 10, 2023**

(54) **ADJUSTABLE HEIGHT PET BOWL**

FOREIGN PATENT DOCUMENTS

(71) Applicant: **Chongjue Yang**, Cangzhou (CN)

CN 307497485 * 8/2022

(72) Inventor: **Chongjue Yang**, Cangzhou (CN)

OTHER PUBLICATIONS

(**) Term: **15 Years**

“Raised Cat Food Bowl” available Jun. 11, 2021, [online], [site visited Sep. 22, 2022]. Retrieved from Internet, URL:https://www.amazon.com/Elevated-Stainless-Non-Slip-Adjustable-Watering/dp/B0972J7M2W/ref=sr_1_291 (Year: 2021).*

(21) Appl. No.: **29/838,758**

(22) Filed: **May 16, 2022**

(Continued)

(30) **Foreign Application Priority Data**

Primary Examiner — Katrina N Gonzalez

Apr. 18, 2022 (CN) 202230216103.7

(51) **LOC (14) Cl.** **30-03**

(57) **CLAIM**

The ornamental design for a adjustable height pet bowl, as shown and described.

(52) **U.S. Cl.**

USPC **D30/129; D30/133**

DESCRIPTION

(58) **Field of Classification Search**

USPC D30/121, 122, 129, 130, 131, 132, 133, D30/199; 119/51.01, 51.02, 51.03, 51.11, 119/51.12, 51.13, 51.5, 52.1, 57.1, 57.92, 119/58, 60, 61.1, 61.5, 61.52, 61.54, 119/61.55, 61.57, 72, 72.5, 73, 74, 75, 119/78, 174

CPC A01K 5/00; A01K 5/0114; A01K 5/0121; A01K 5/0135; A01K 7/005; A01K 7/00; A01K 39/02; A01K 39/04; A01K 39/0213

See application file for complete search history.

FIG. 1 is a front, right and top perspective view of a adjustable height pet bowl showing my new design; FIG. 2 is a front, right, and top perspective view thereof, but shown with the pet bowl raised in a first position of use for clarity of illustration. FIG. 3 is a front, right, and top perspective view thereof, but shown with the pet bowl raised in a second position of use for clarity of illustration. FIG. 4 is a front view of FIG. 1; FIG. 5 is a rear view thereof; FIG. 6 is a left side view thereof; FIG. 7 is a right side view thereof; FIG. 8 is a top plan view thereof; FIG. 9 is a bottom plan view thereof; and, FIG. 10 is an enlarged detail view of area 10 shown in FIG. 4.

(56) **References Cited**

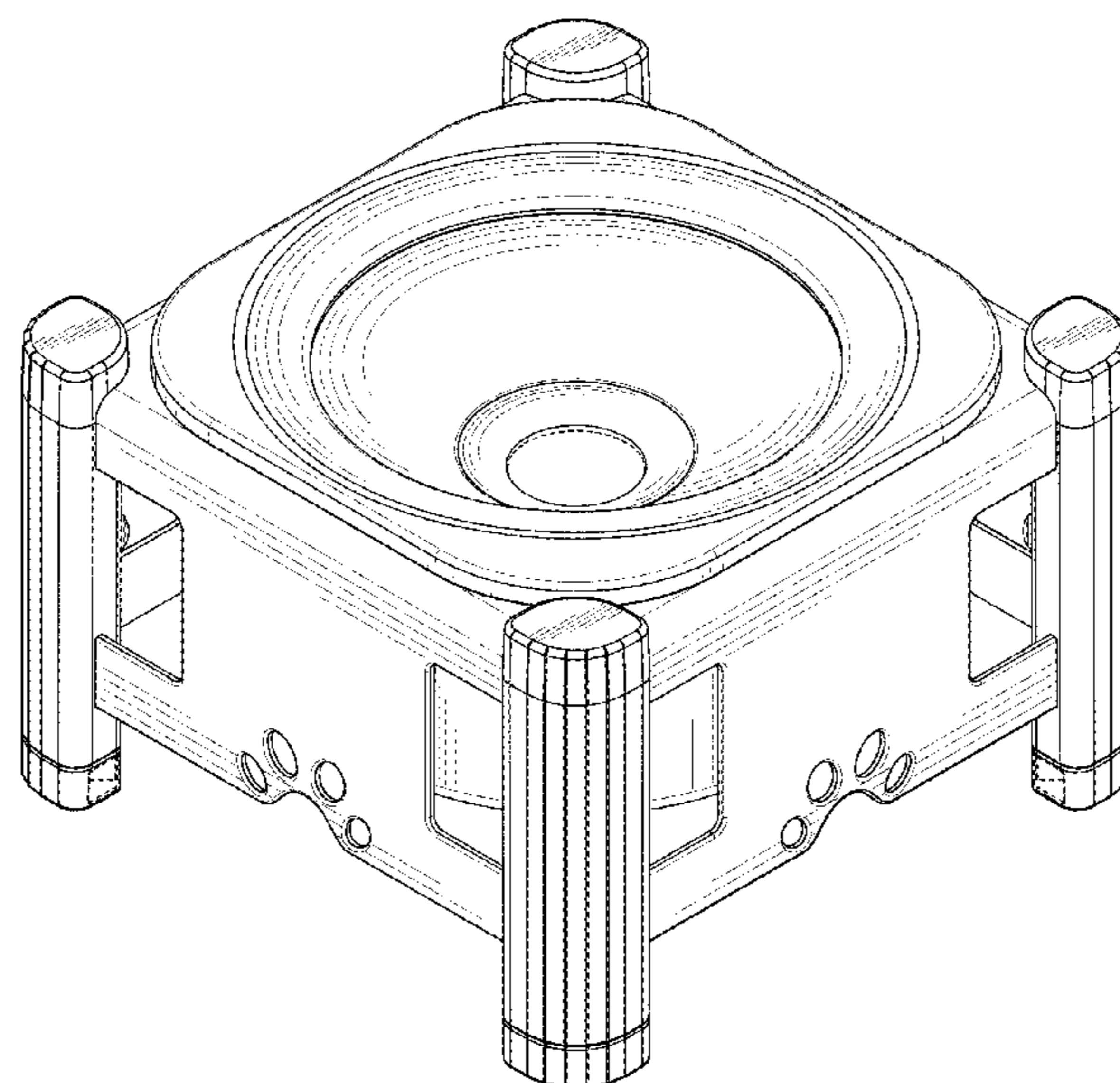
U.S. PATENT DOCUMENTS

D514,750 S * 2/2006 Matula D30/129
D700,751 S * 3/2014 Gilkey D30/129
D770,099 S * 10/2016 Jones D30/129
D782,127 S * 3/2017 Wechsler D30/129
D899,717 S * 10/2020 Van Curen D30/199
D900,411 S 10/2020 Liang
D916,389 S 4/2021 Sharer
D925,133 S * 7/2021 Yoo D30/129

The dash-dash broken lines illustrate portions of the adjustable height pet bowl. FIGS. 4 and 10 show dash-dot broken lines that represent the boundaries and indicators of the enlarged views. The broken lines form no part of the claimed design.

(Continued)

1 Claim, 10 Drawing Sheets



(56)

References Cited

U.S. PATENT DOCUMENTS

D943,836 S * 2/2022 Lai D30/133
D962,558 S * 8/2022 Yang D30/131

OTHER PUBLICATIONS

“Foreyy Set of 2 Raised Pet Bowls” available May 31, 2019, [online], [site visited Sep. 22, 2022]. Retrieved from Internet, URL:https://www.amazon.com/FOREYY-Raised-Bowls-Cats-Small/dp/B08CVNQHFX/ref=sxin_14_pa_sp_search_thematic_sspa (Year: 2019).*

“Raised Pet Bowls for Cats and Dogs” available Oct. 1, 2021, [online], [site visited Sep. 22, 2022]. Retrieved from Internet, URL:https://www.amazon.com/Raised-Pet-Bowls-Cats-Dogs/dp/B096ZBV86V/ref=sr_1_165 (Year: 2021).*

* cited by examiner

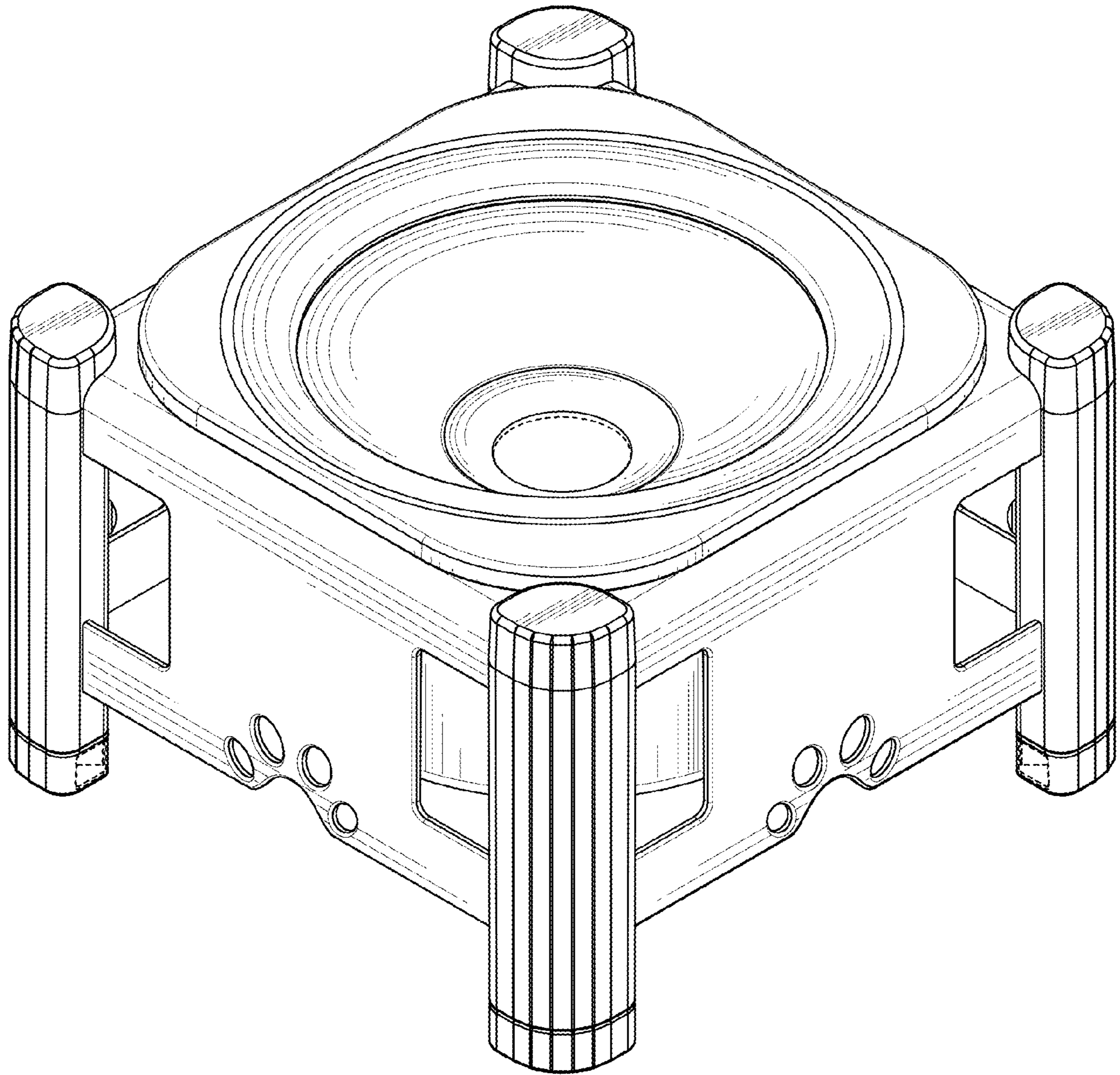


FIG. 1

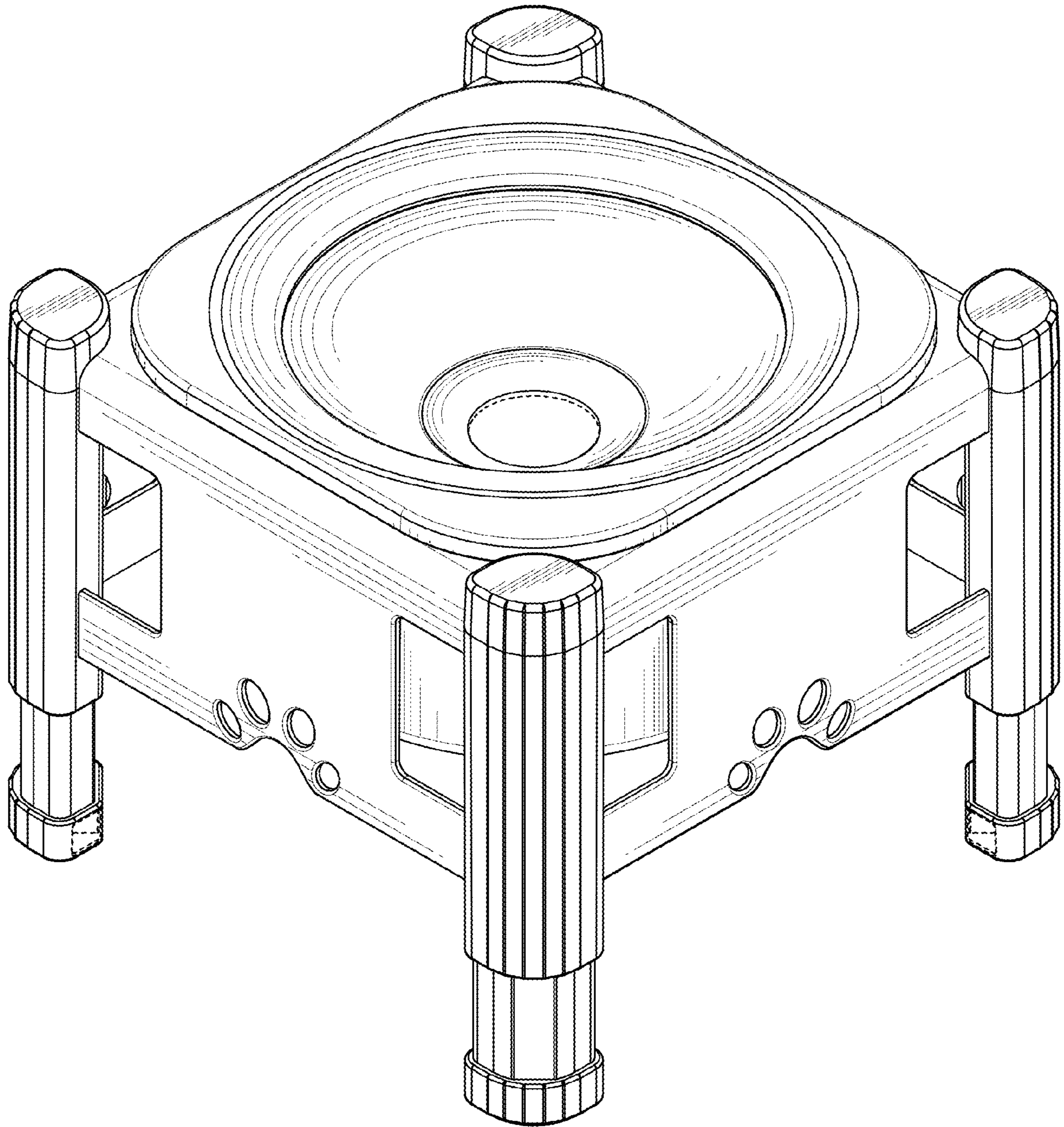


FIG. 2

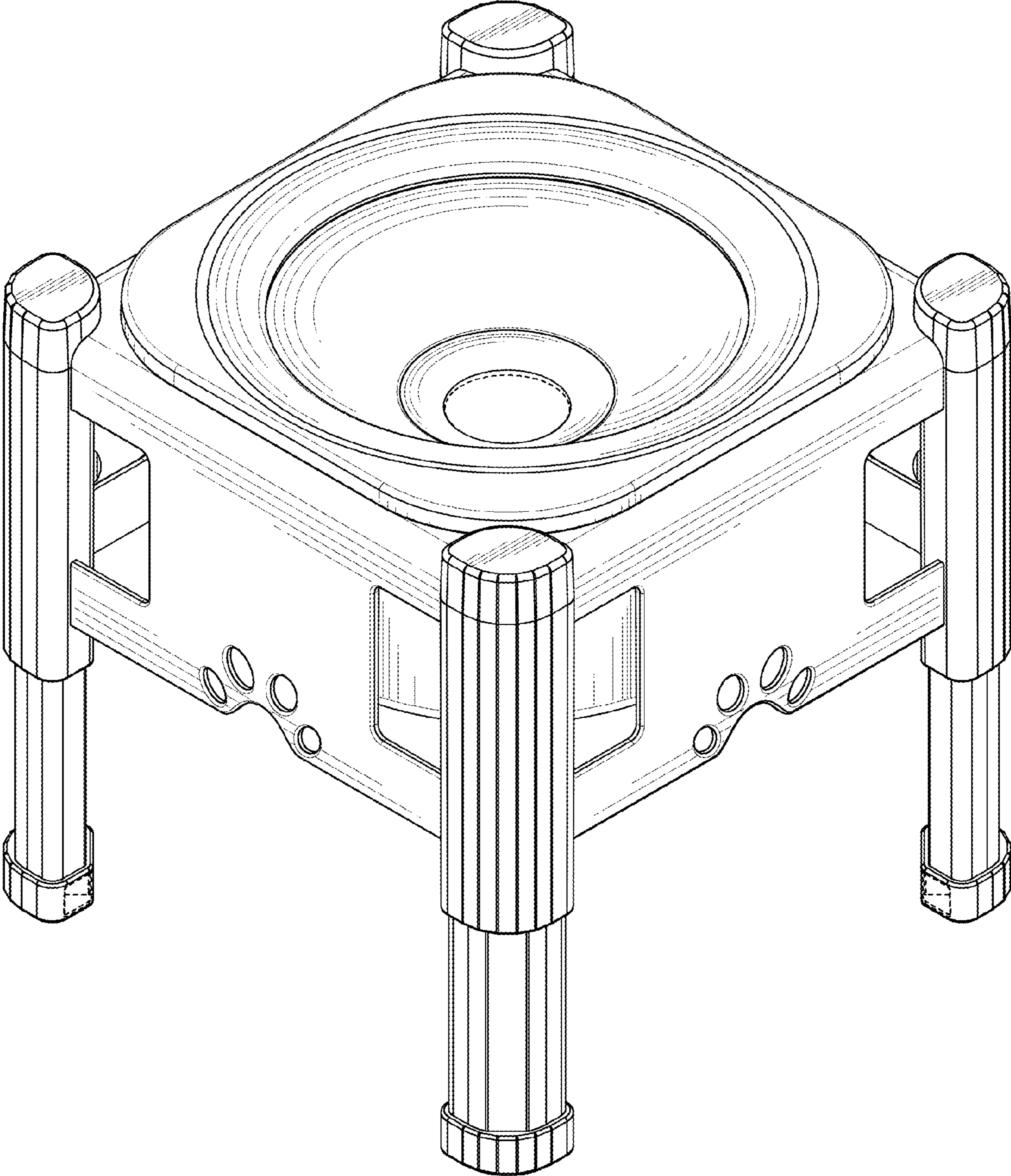


FIG. 3

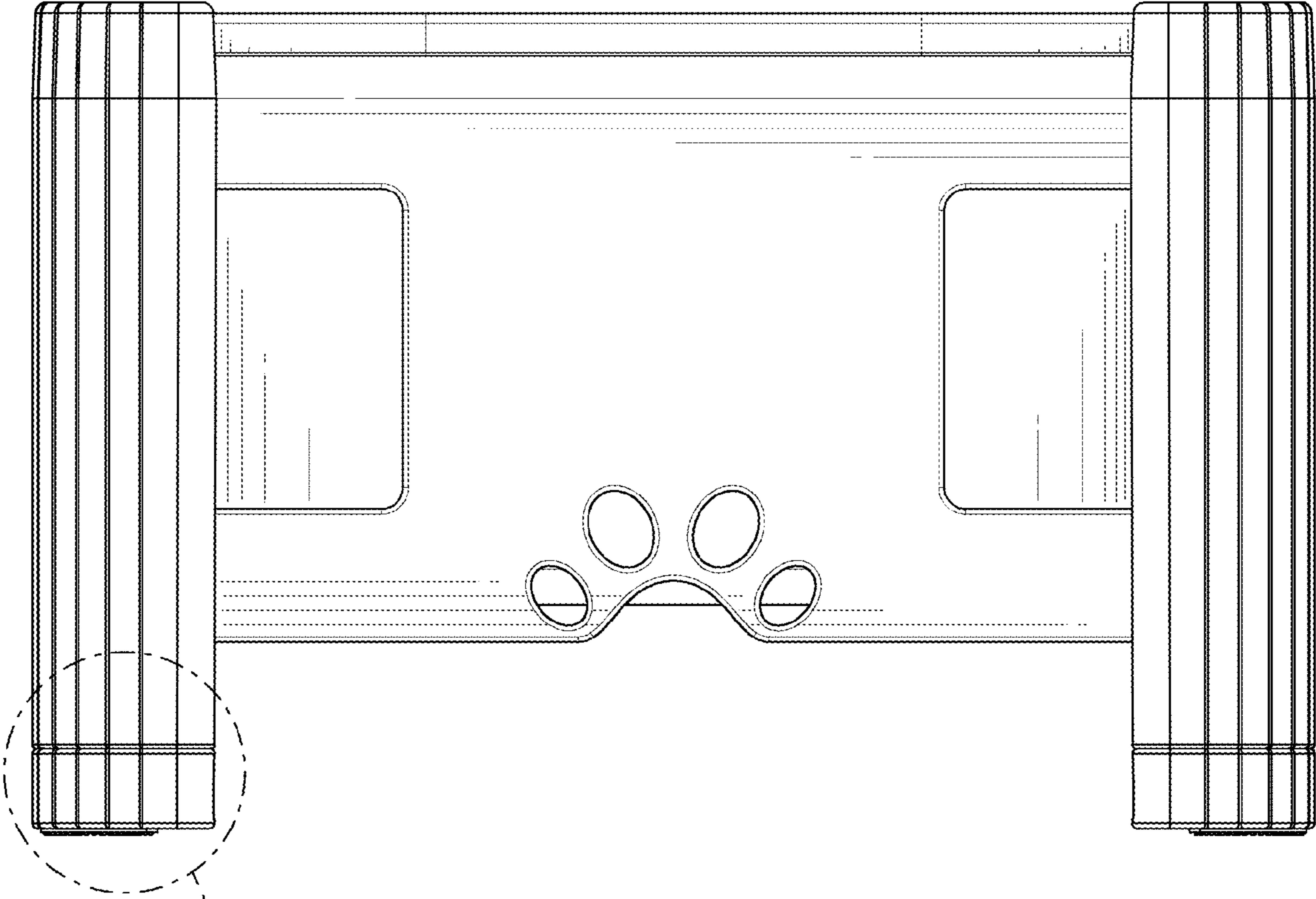


FIG. 4

10

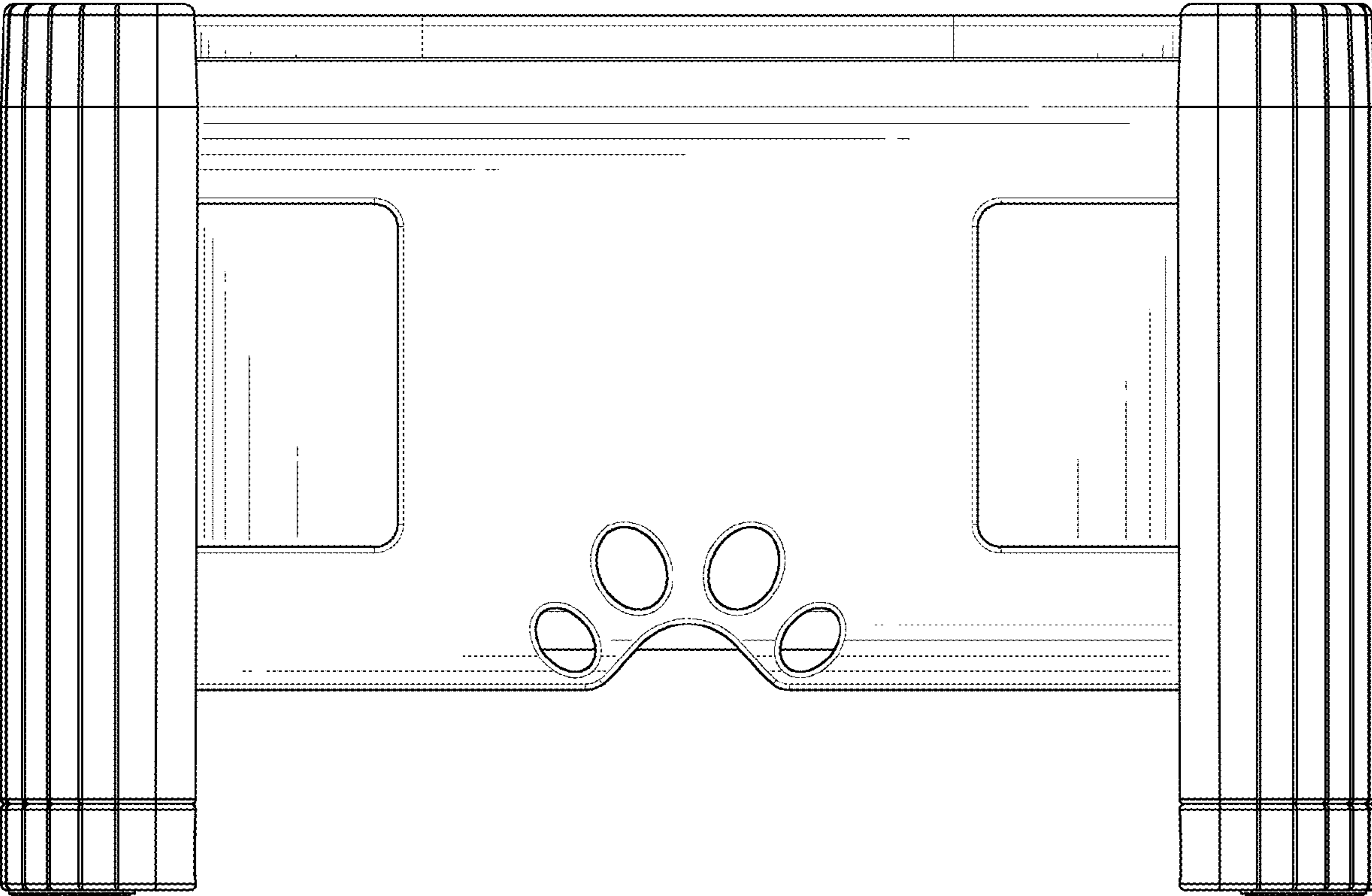


FIG. 5

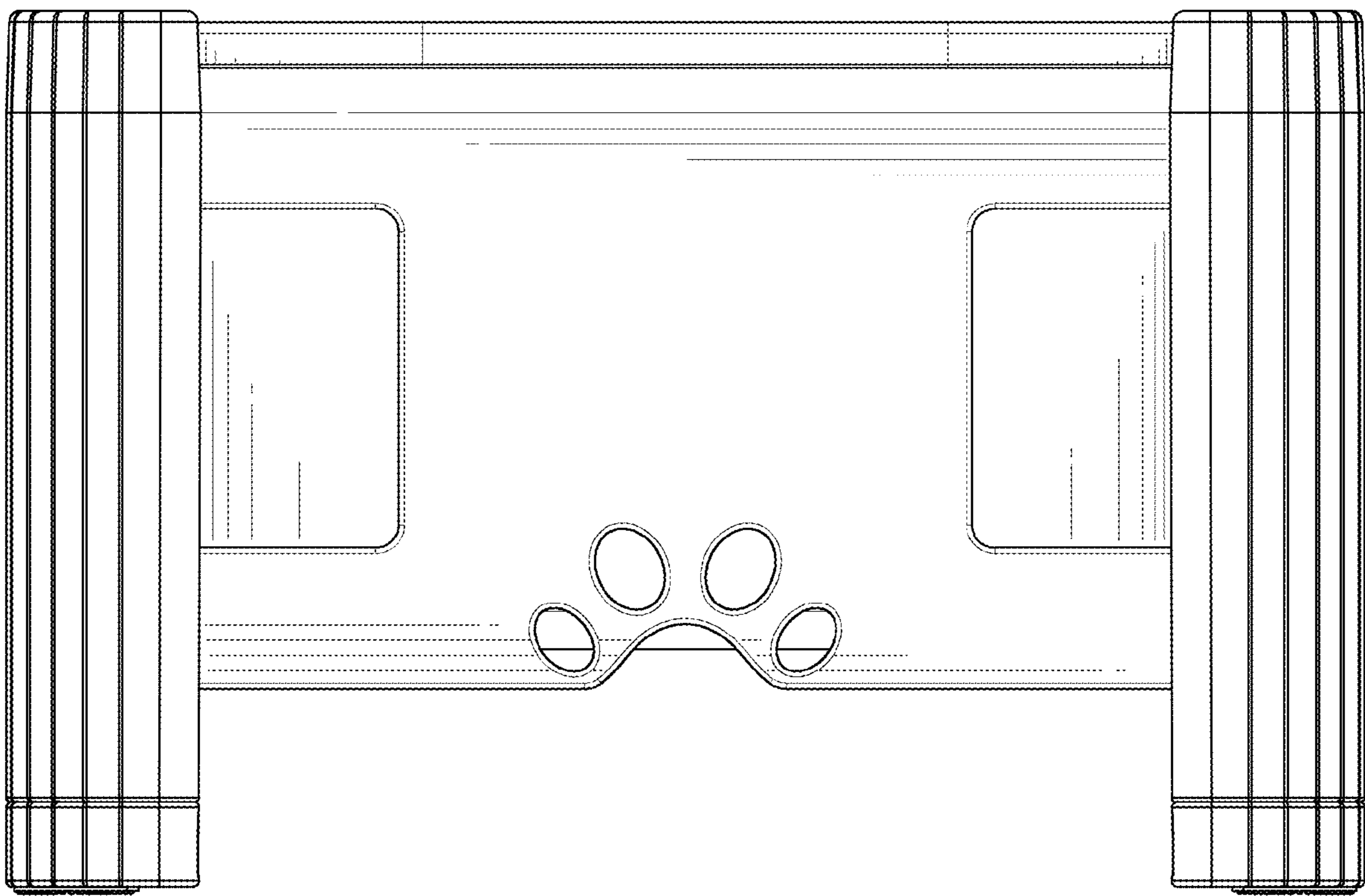


FIG. 6

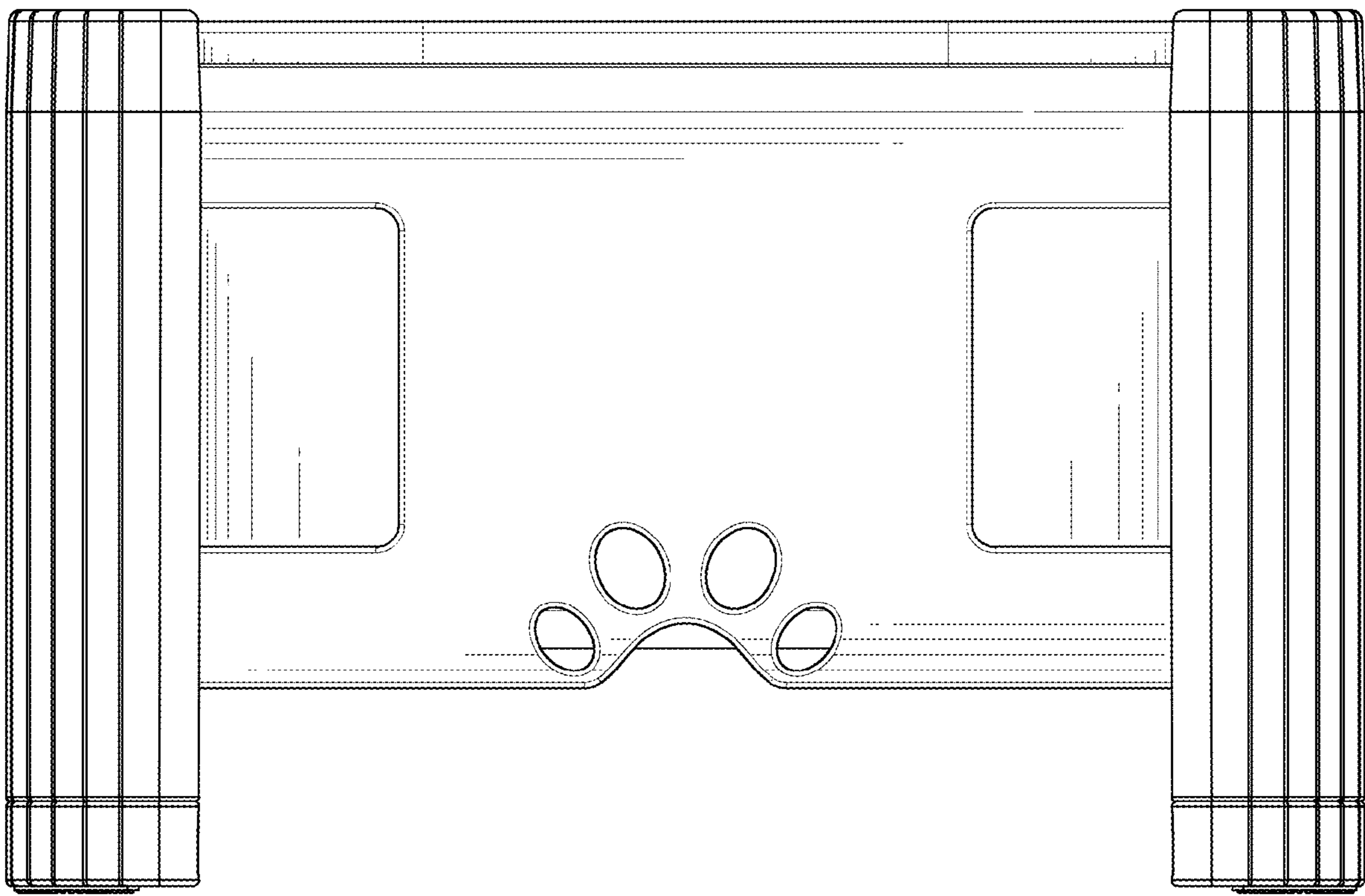


FIG. 7

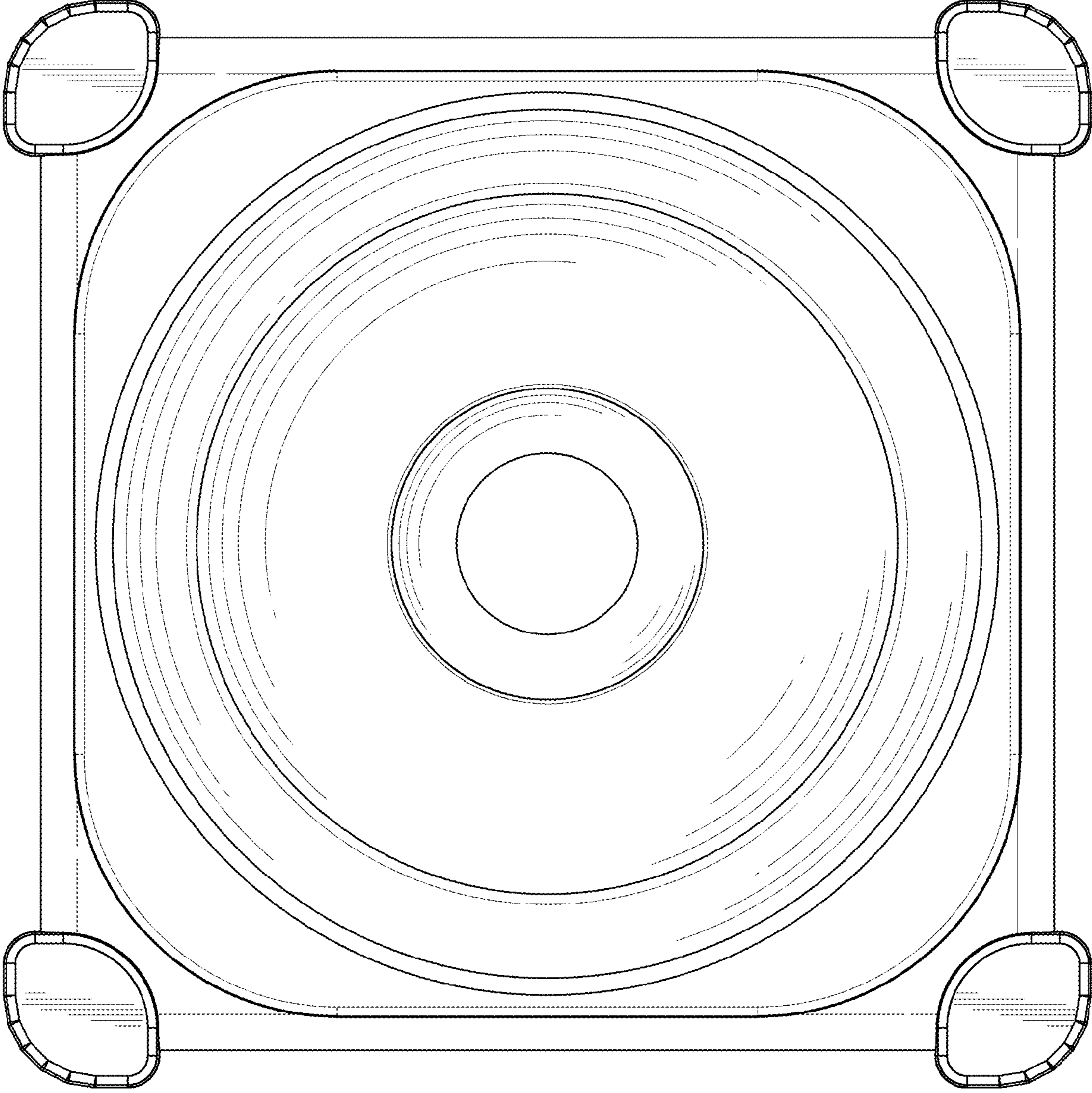


FIG. 8

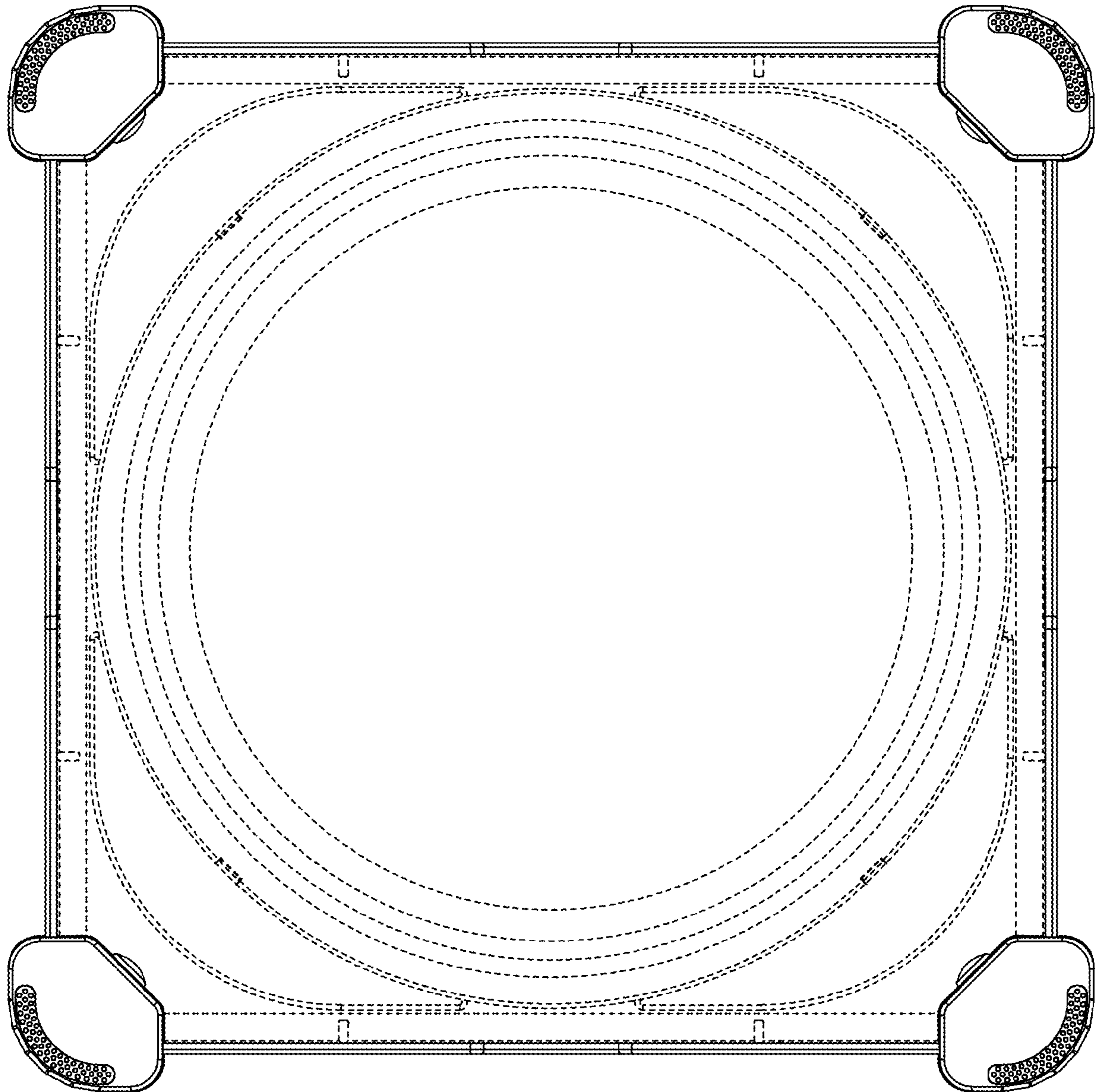


FIG. 9

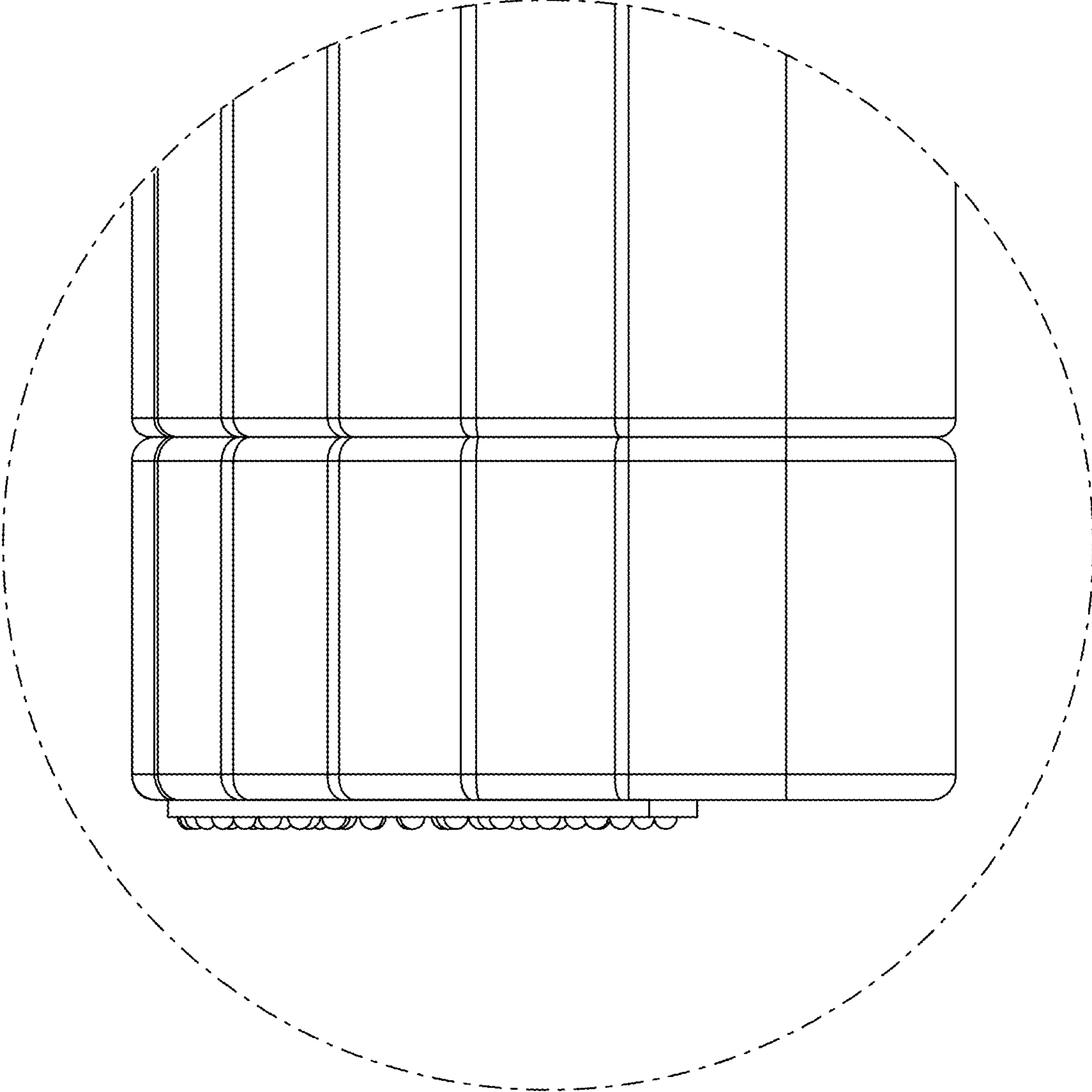


FIG. 10