



US00D975368S

(12) **United States Design Patent**  
**Liu**

(10) **Patent No.:** **US D975,368 S**

(45) **Date of Patent:** **\*\* Jan. 10, 2023**

(54) **HUMMINGBIRD FEEDER**

(71) Applicant: **Xiaopei Liu**, Guangdong (CN)

(72) Inventor: **Xiaopei Liu**, Guangdong (CN)

(\*\*) Term: **15 Years**

(21) Appl. No.: **29/843,232**

(22) Filed: **Jun. 20, 2022**

(51) **LOC (14) Cl.** ..... **30-03**

(52) **U.S. Cl.**  
USPC ..... **D30/125**

(58) **Field of Classification Search**

USPC ..... D30/108, 110, 111, 114, 115, 116, 121,  
D30/123, 124, 125, 126, 127, 128, 158,  
D30/159, 199; 119/51.01, 52.2, 52.3, 53,  
119/57.8, 57.9, 428, 429, 469; D7/522,  
D7/523, 524, 529, 537; D11/143;  
D6/556, 623

CPC ..... A01K 39/00; A01K 39/01; A01K 39/012;  
A01K 39/0113; A01K 39/0206; A01K  
39/026

See application file for complete search history.

(56) **References Cited**

**U.S. PATENT DOCUMENTS**

- 3,913,527 A \* 10/1975 Kilham ..... A01K 39/0206  
428/26
- D252,288 S 7/1979 Kilham
- D368,336 S \* 3/1996 Brown ..... D30/124
- D382,376 S \* 8/1997 Bescherer ..... D30/124
- 7,231,890 B2 \* 6/2007 Colvin ..... A01K 39/014  
119/72
- 8,763,556 B1 \* 7/2014 Vaughn, Jr. .... A01K 39/0206  
119/52.2
- 2007/0028847 A1 \* 2/2007 Colvin ..... A01K 39/0206  
119/72
- 2007/0039554 A1 \* 2/2007 Colvin ..... A01K 39/00  
119/72

2009/0031962 A1 \* 2/2009 Webber ..... A01K 39/0206  
119/51.01

2013/0284103 A1 \* 10/2013 Colvin ..... A01K 39/0206  
119/78

2019/0098875 A1 \* 4/2019 McFerrin ..... A01K 39/01

**OTHER PUBLICATIONS**

Hummingbird Feeders Hanging Bird. JonsonZ, amazon.com (online)  
5 pages. Posted May 11, 2022. [Retrieved Oct. 25, 2022] <https://a.co/d/j7WWs1f> (Year: 2022).\*

Hummingbird Feeders for Outdoor Hanging. Allslotx, amazon.com  
(online) 6 pages. Posted Aug. 14, 2022. [Retrieved Oct. 25, 2022]  
<https://a.co/d/jl4mk14> (Year: 2022).\*

(Continued)

*Primary Examiner* — Kathleen L Jones

*Assistant Examiner* — Cole Sanders Holman

(74) *Attorney, Agent, or Firm* — Che-Yang Chen; Law  
Office of Michael Chen

(57) **CLAIM**

The ornamental design for a hummingbird feeder, as shown  
and described.

**DESCRIPTION**

FIG. 1 is a perspective view of the hummingbird feeder  
showing my new design;

FIG. 2 is a perspective view thereof from another angle;

FIG. 3 is a front elevational view thereof;

FIG. 4 is a rear elevational view thereof;

FIG. 5 is a left side elevational view thereof;

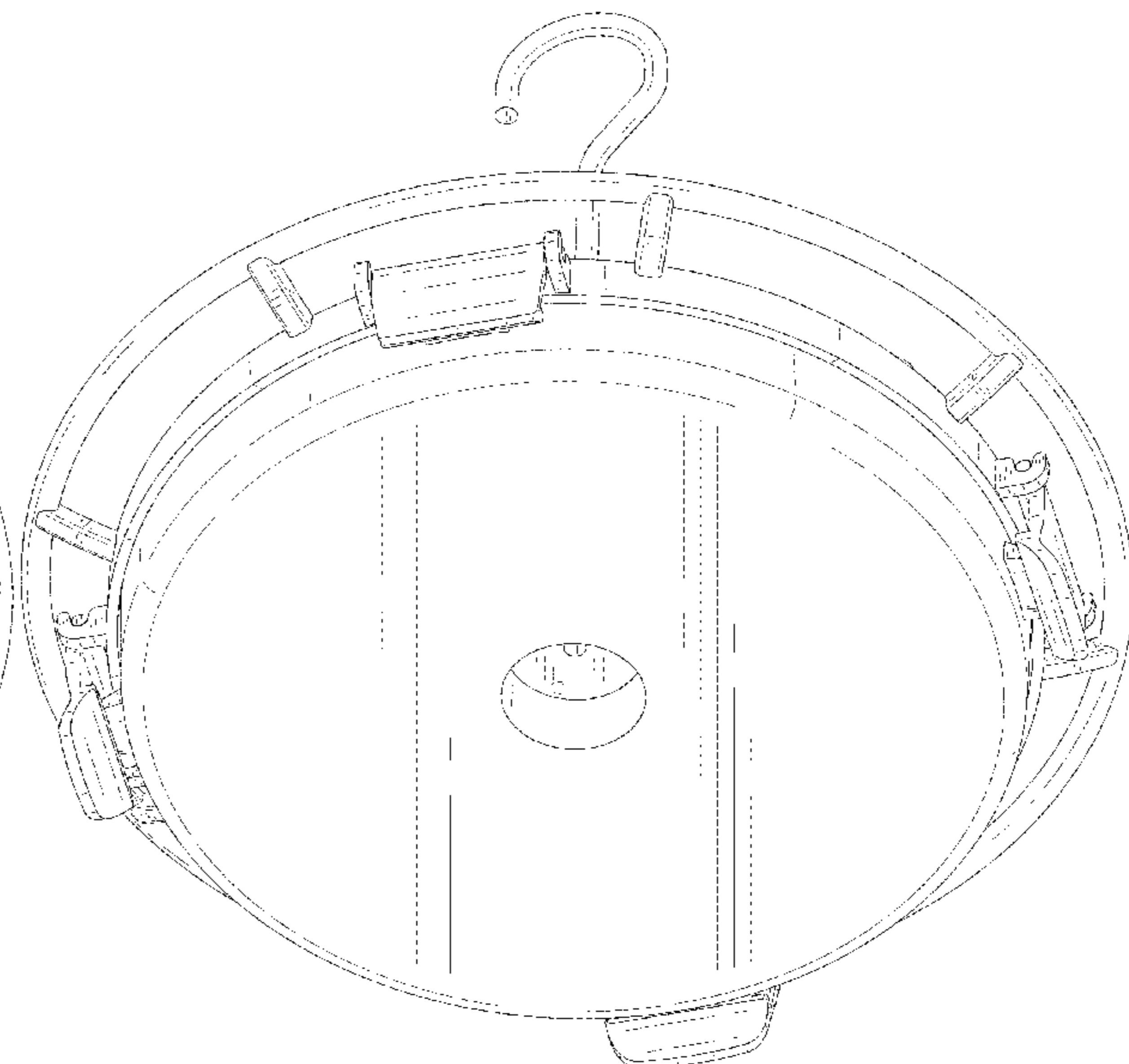
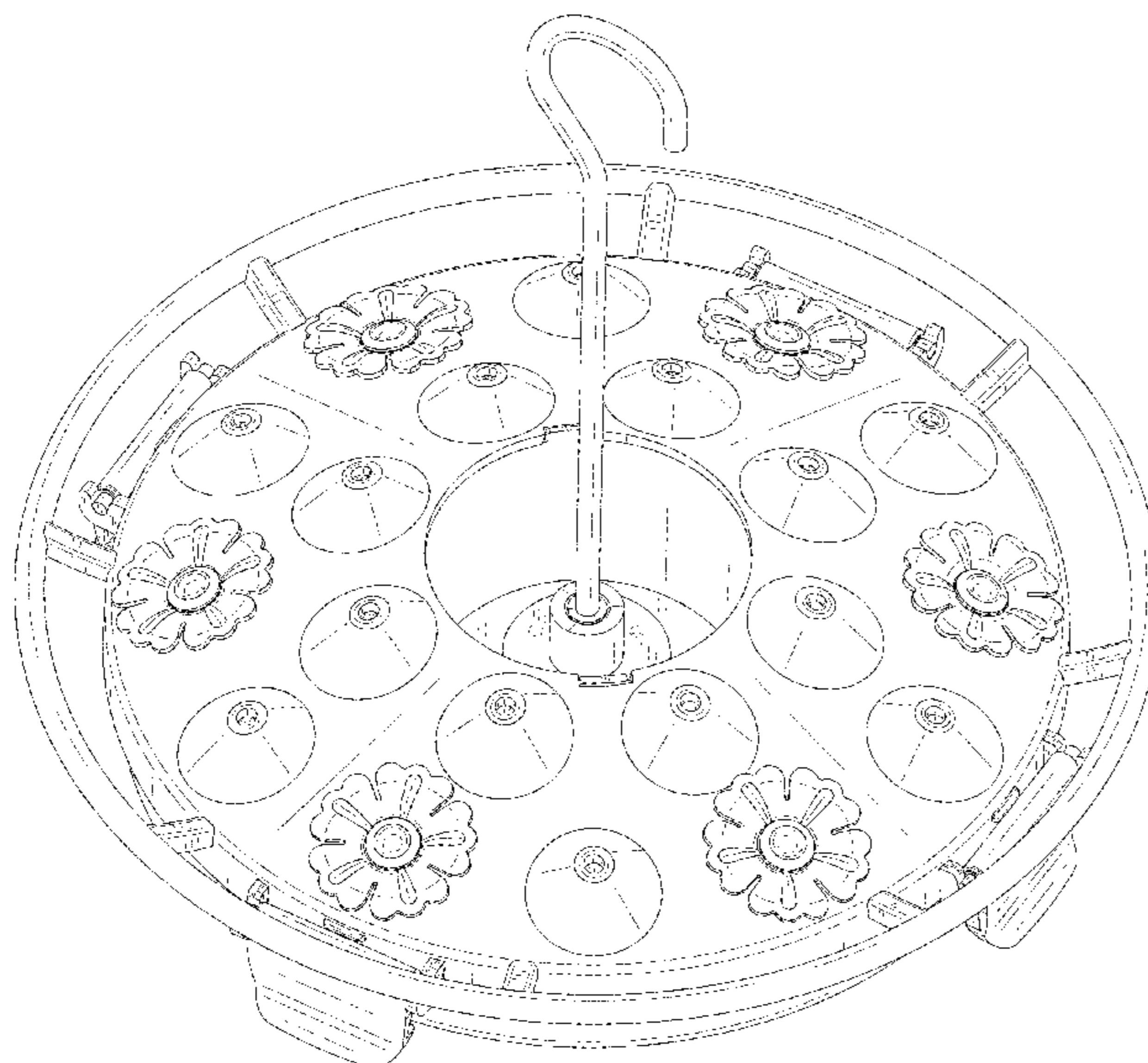
FIG. 6 is a right side elevational view thereof;

FIG. 7 is a top plan view thereof; and,

FIG. 8 is a bottom plan view thereof.

The broken lines shown in the drawings represent portions  
of the hummingbird feeder that form no part of the claimed  
design.

**1 Claim, 8 Drawing Sheets**



(56)

**References Cited**

OTHER PUBLICATIONS

Hummingbird Feeders for Outdoor Hanging—Leak Proof. Allslotx, amazon.com (online) 6 pages. Posted Aug. 14, 2022. [Retrieved Oct. 25, 2022] <https://a.co/d/74Uwi3o> (Year: 2022).\*

Hummingbird Feeders for Outdoor—Round Ports. Kruoo, amazon.com (online) 10 pages. Posted unknown. [Retrieved Oct. 25, 2022] <https://a.co/d/53Cgfc1> (Year: NA) (Year: NA).\*

Zhuo Meiqin, CN Design No. 306805289, published at Orbit, publication date Sep. 3, 2021. Site visited Oct. 25, 2022. Available from internet. (Year: 2021).\*

Yin Jinyan, CN Design No. 306184808, published at Orbit, publication date Nov. 20, 2020. Site visited Oct. 25, 2022. Available from internet. (Year: 2020).\*

\* cited by examiner

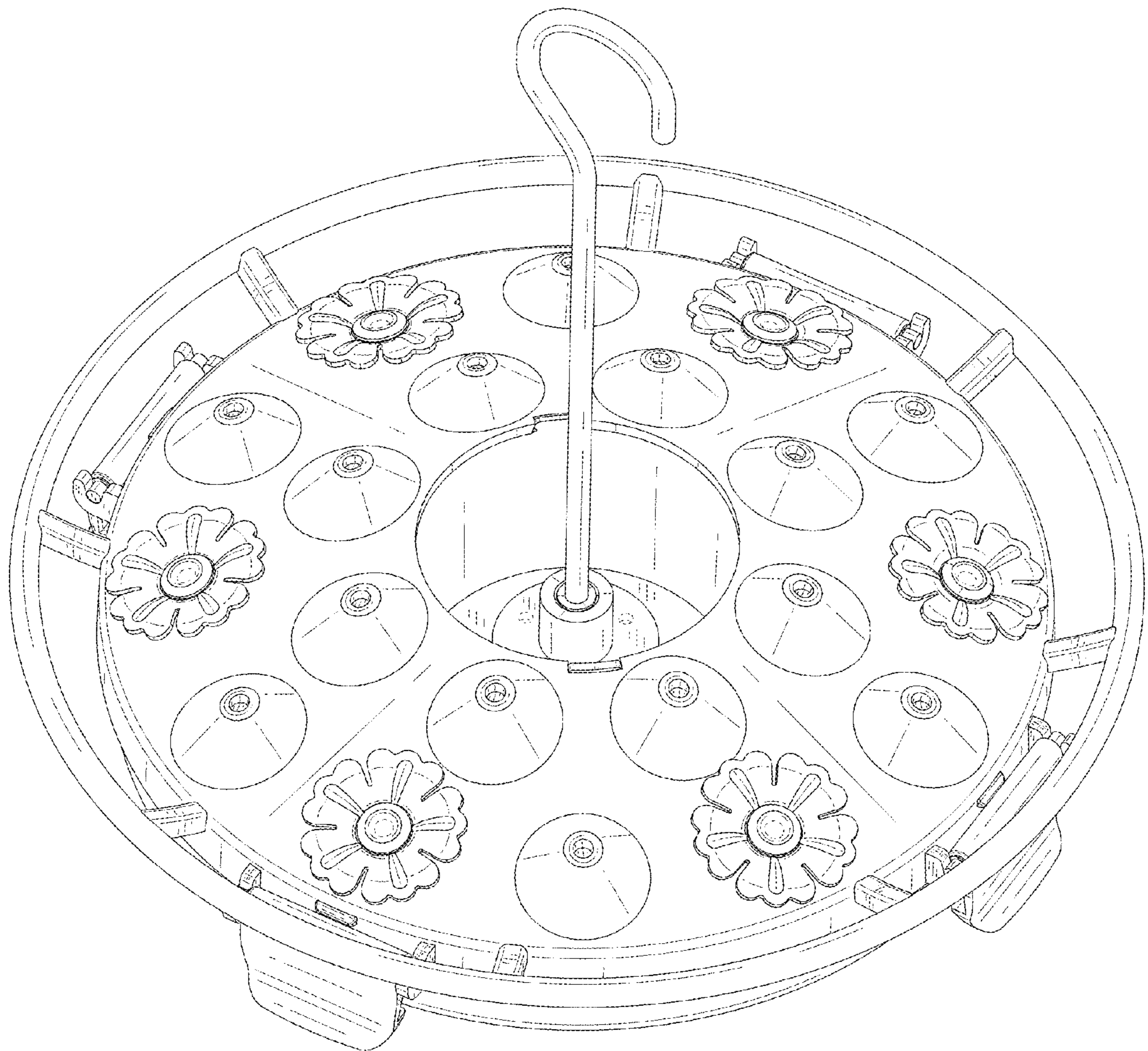


FIG. 1

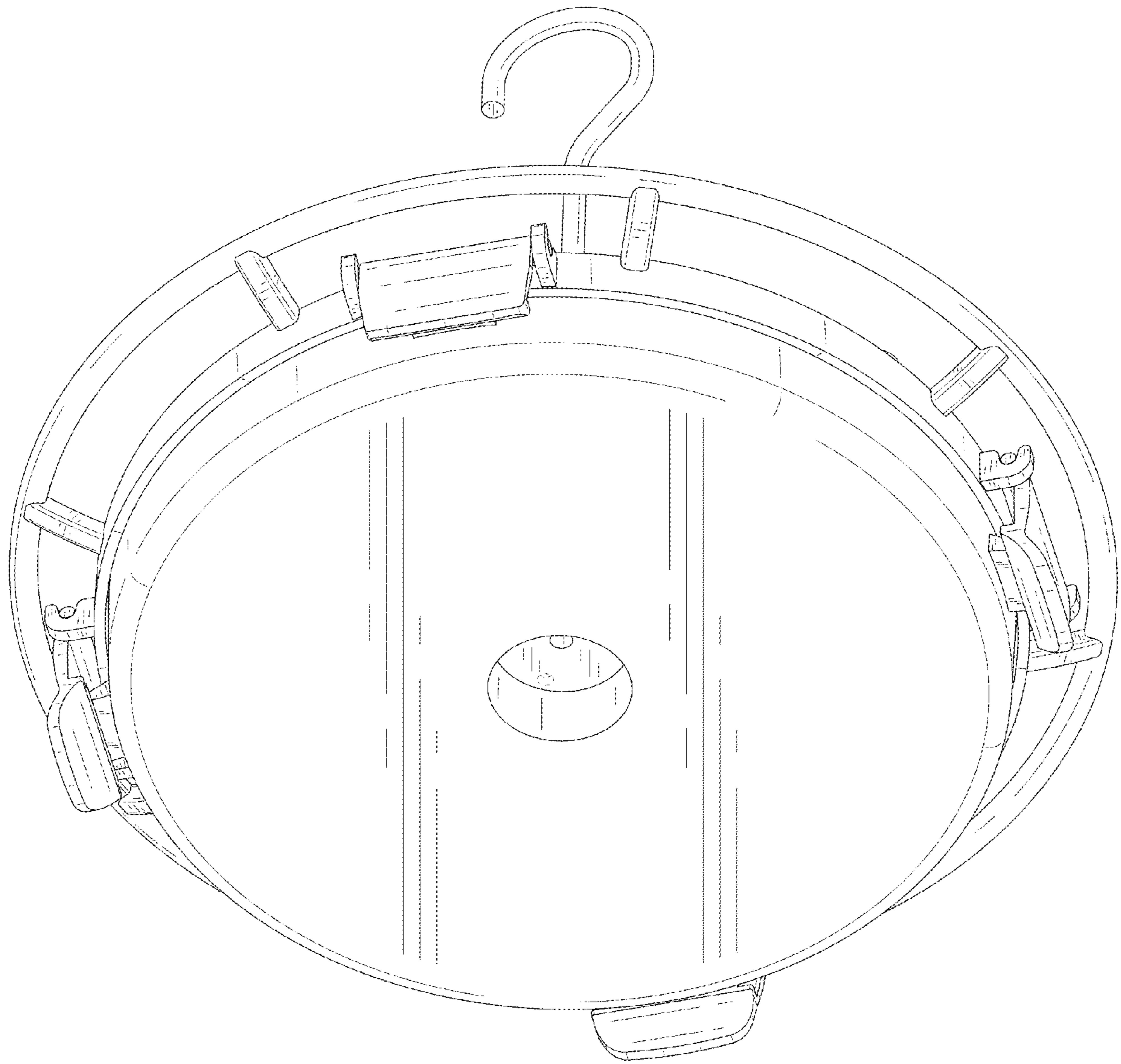


FIG. 2

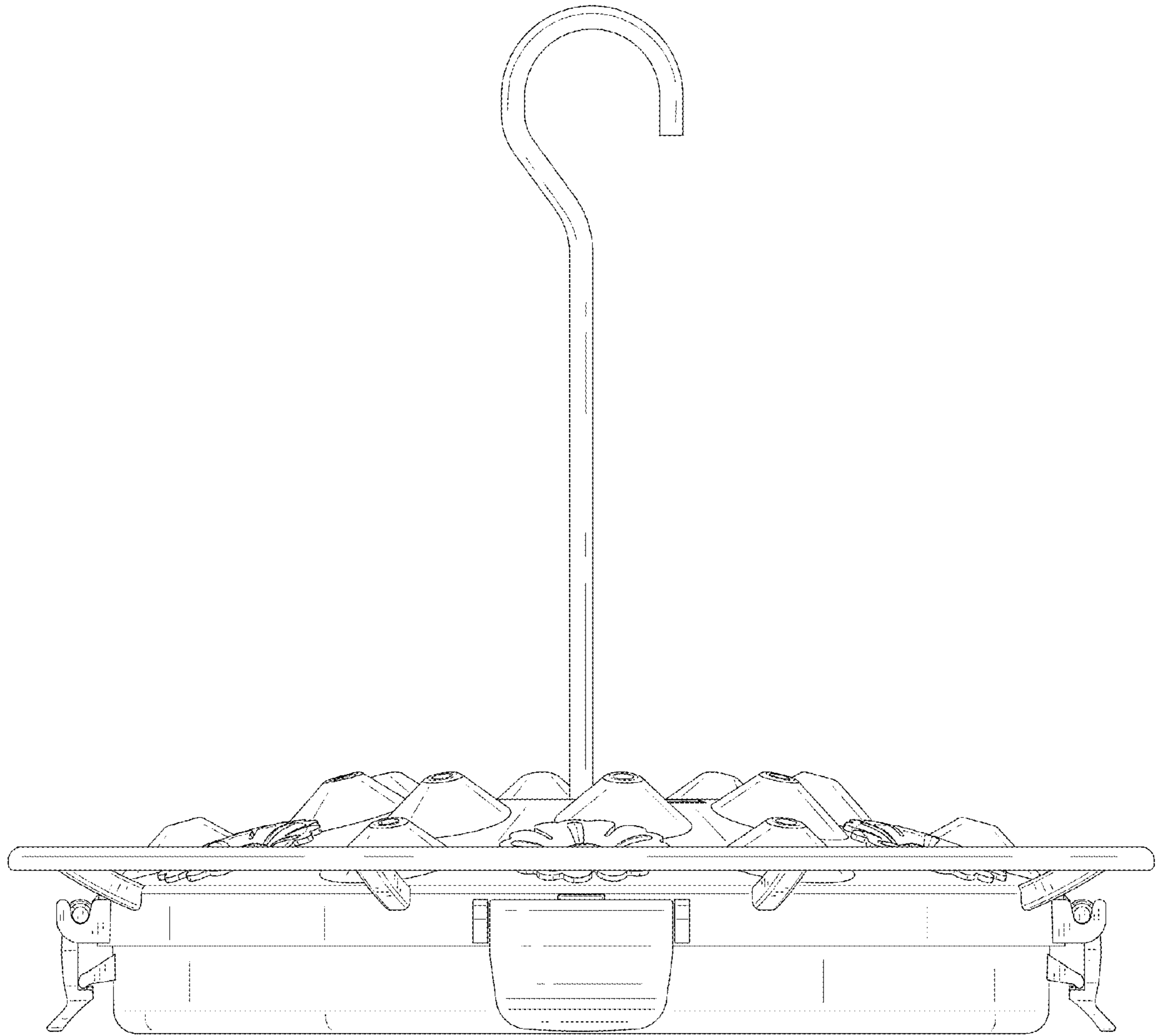


FIG. 3

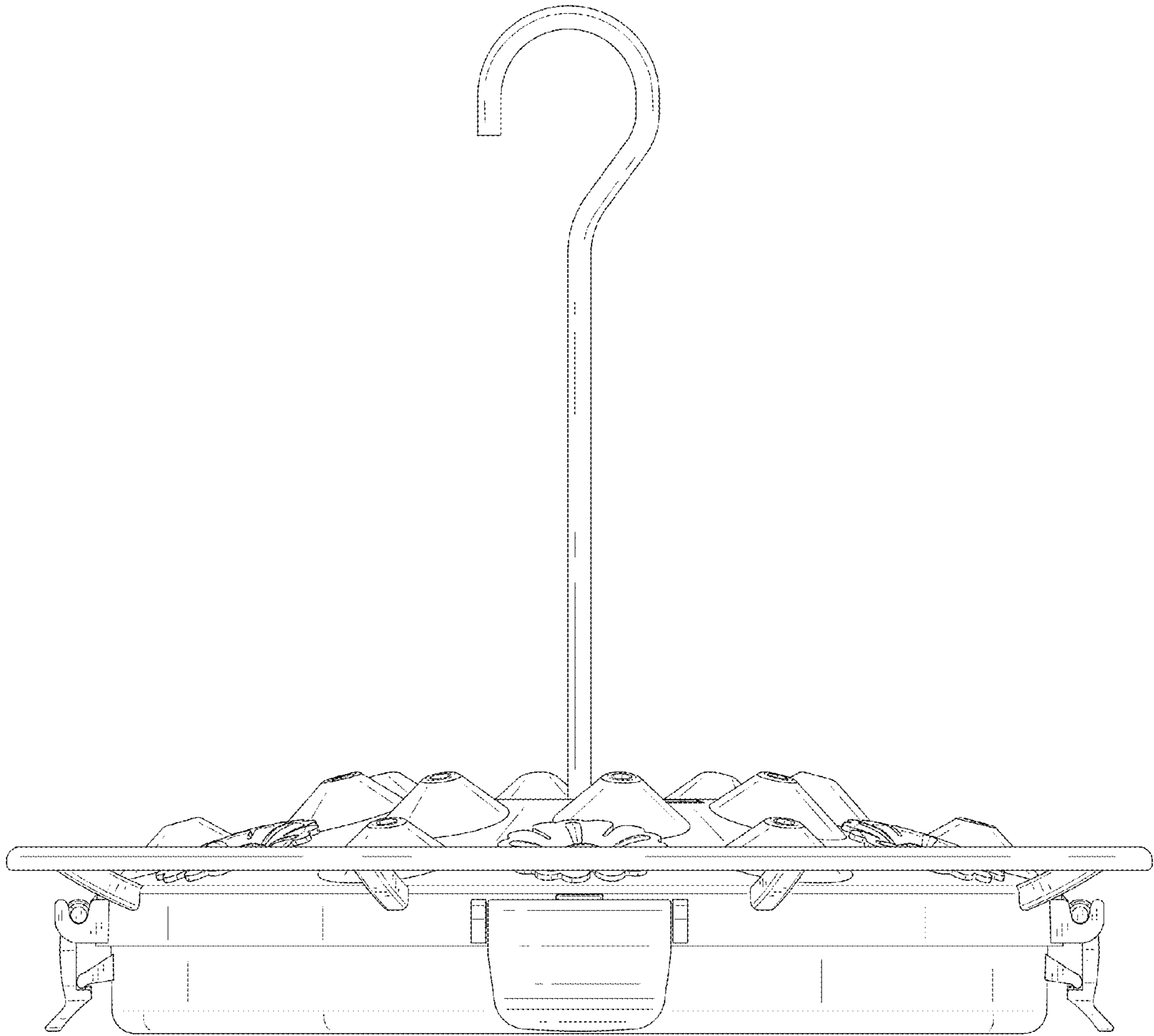


FIG. 4

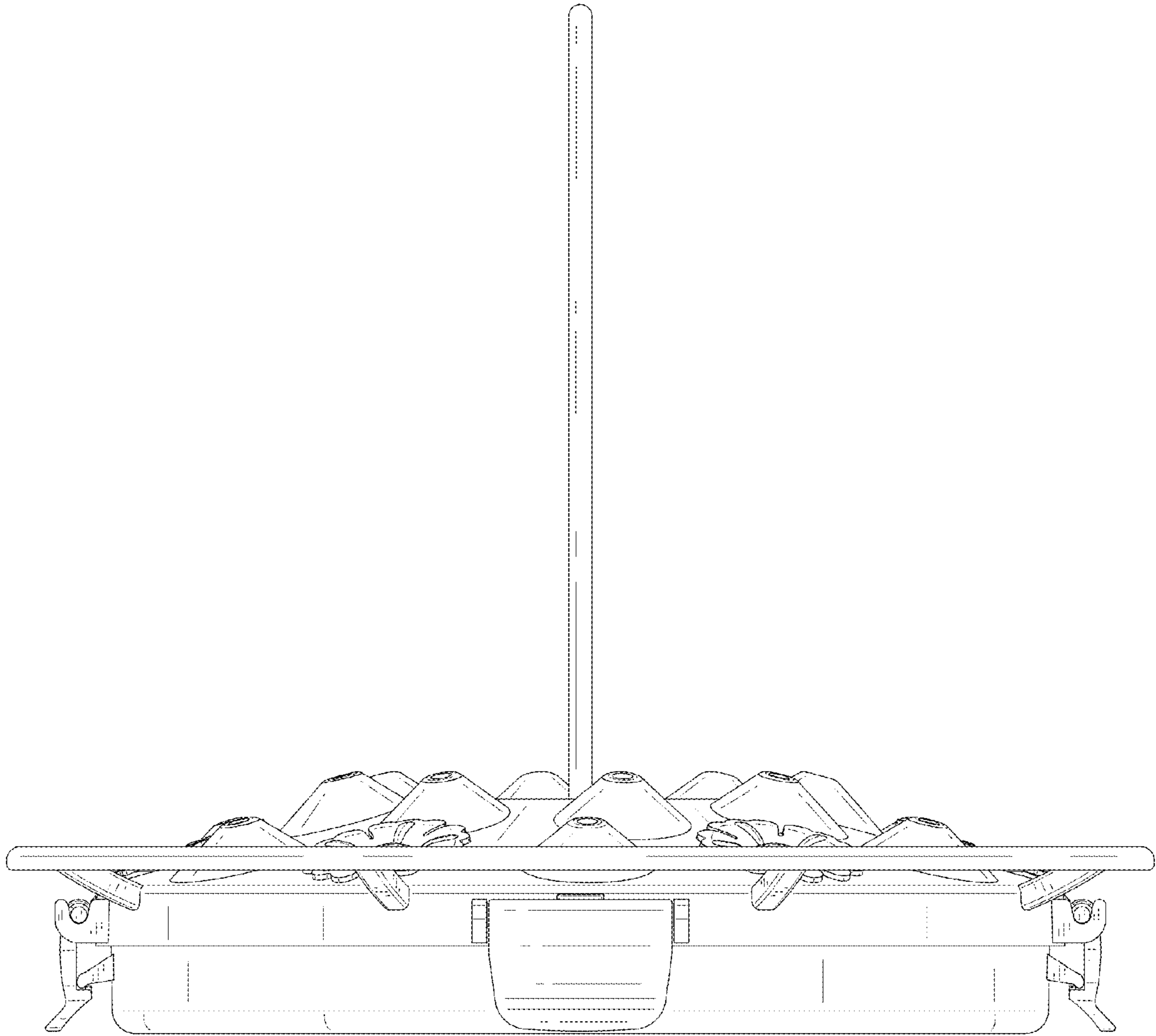


FIG. 5

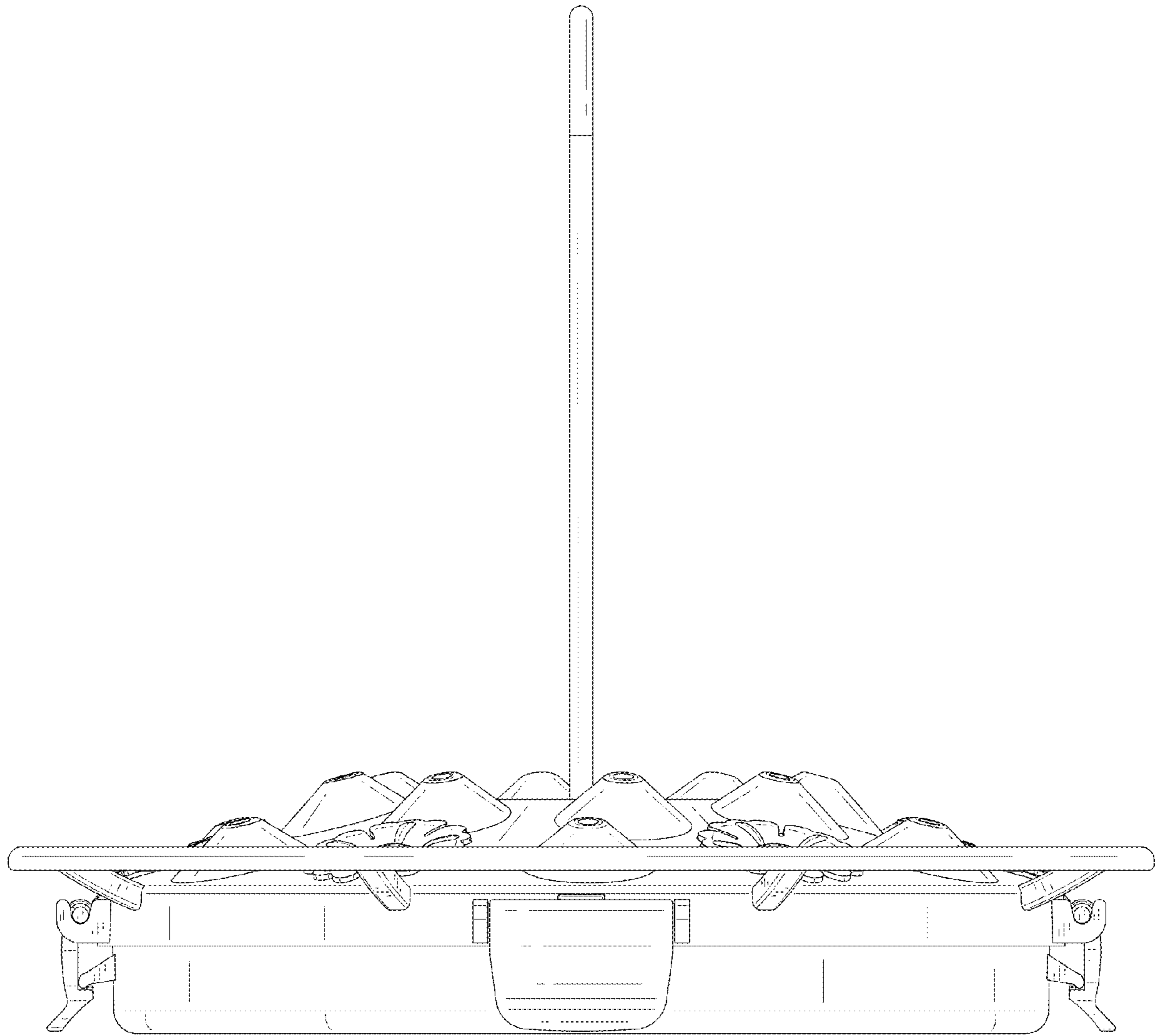


FIG. 6



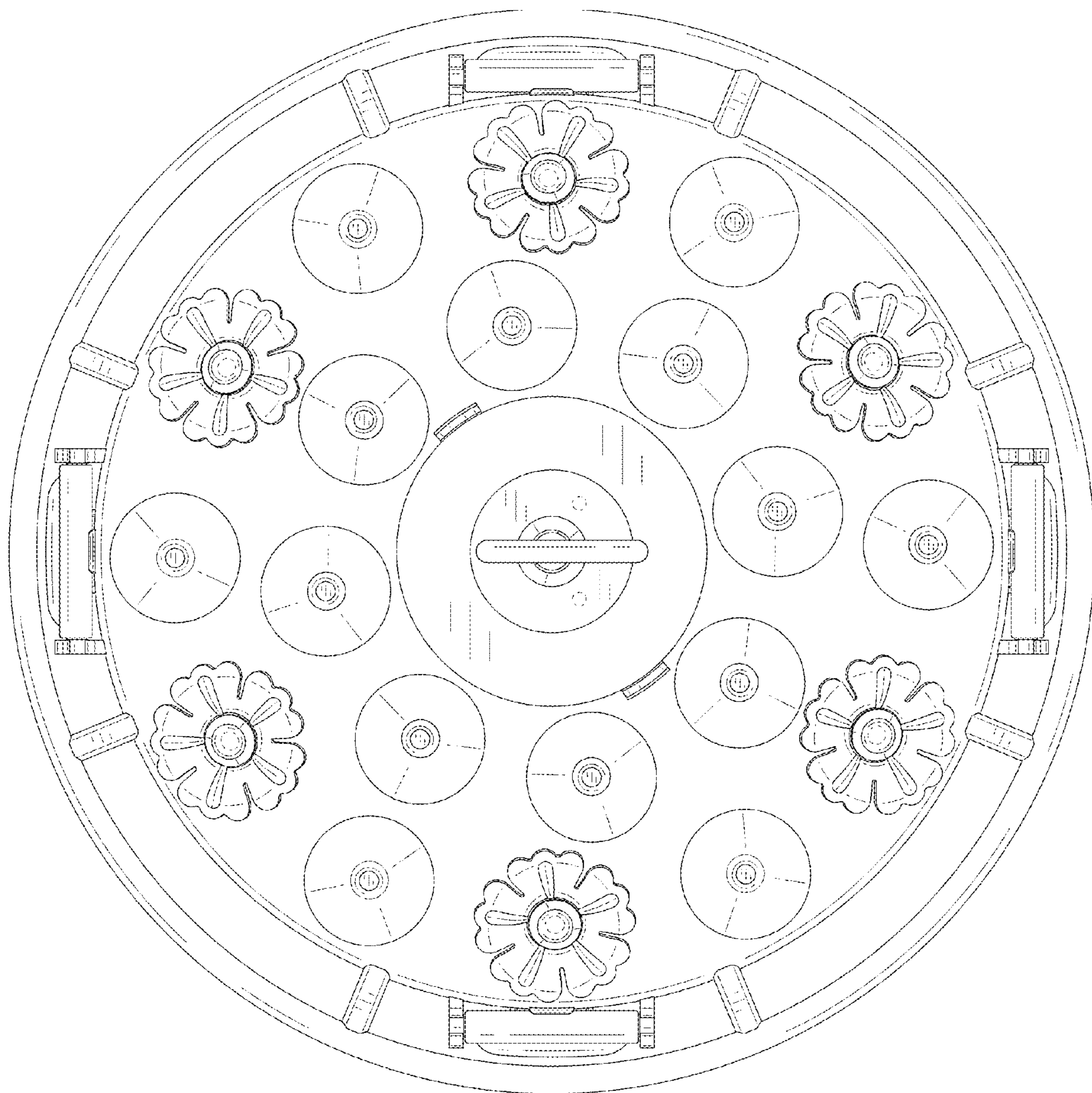


FIG. 7

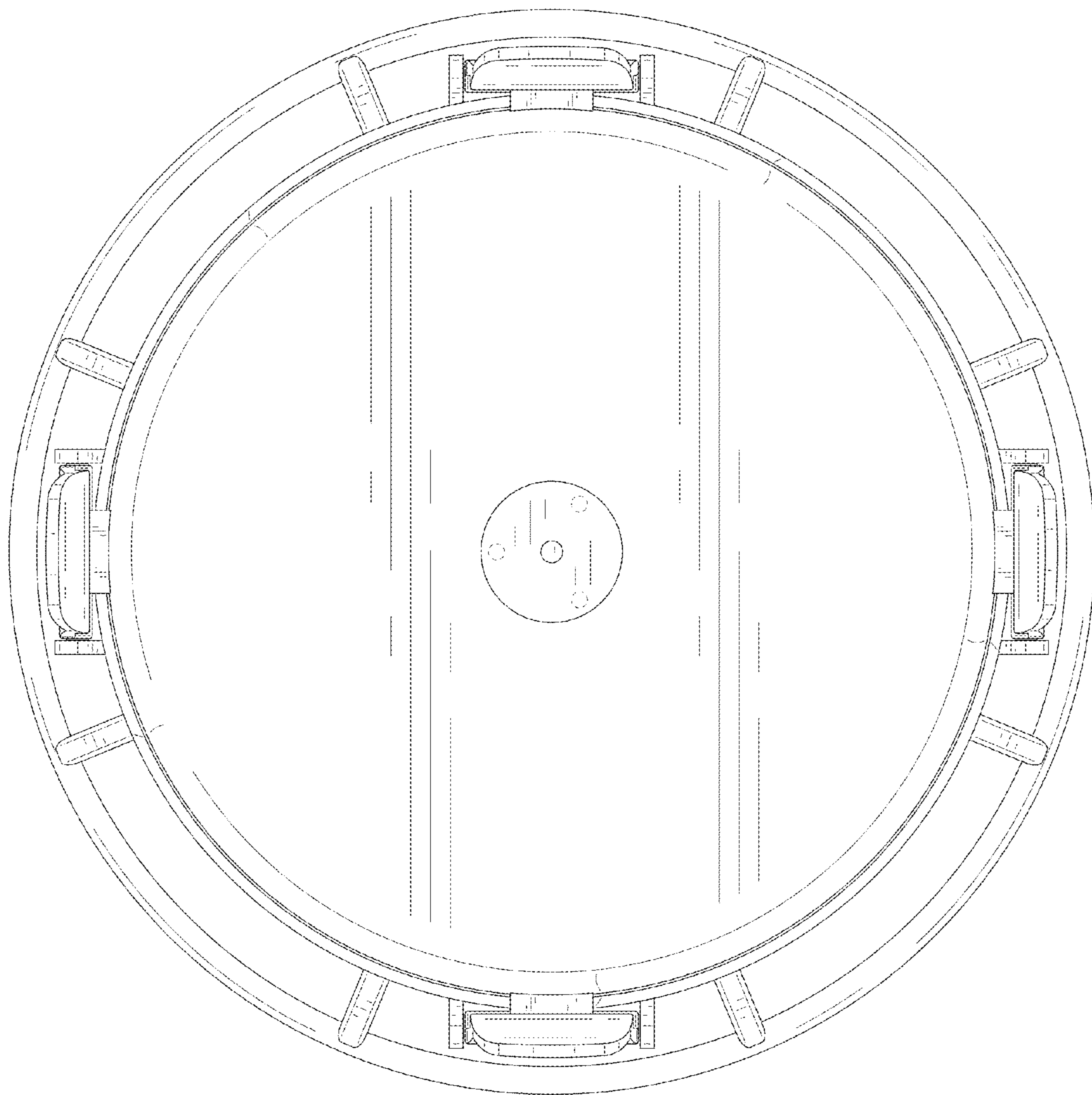


FIG. 8