



US00D975367S

(12) **United States Design Patent** (10) **Patent No.:** **US D975,367 S**
Haddad (45) **Date of Patent:** **** *Jan. 10, 2023**

(54) **BIRD CAGE LANDING STEP ATTACHMENT**

(71) Applicant: **Ramon Haddad**, Jackson, NJ (US)

(72) Inventor: **Ramon Haddad**, Jackson, NJ (US)

(*) Notice: This patent is subject to a terminal disclaimer.

(**) Term: **15 Years**

(21) Appl. No.: **29/700,076**

(22) Filed: **Jul. 31, 2019**

(51) **LOC (14) Cl.** **30-02**

(52) **U.S. Cl.**
USPC **D30/119**; D6/574

(58) **Field of Classification Search**
USPC D30/118, 119, 199; D6/574
CPC A01K 31/06; A01K 1/035; A01K 31/12;
A01M 29/32
See application file for complete search history.

(56) **References Cited**

U.S. PATENT DOCUMENTS

2,624,310	A	1/1953	Smithson	
2,690,159	A	9/1954	Sherry	
2,718,874	A	9/1955	Dunn	
2,720,860	A	10/1955	Jenkinson	
3,138,139	A	6/1964	Good	
3,398,719	A	8/1968	Walker	
D323,091	S *	1/1992	Boschetto	D6/574
5,809,933	A *	9/1998	Conwell, III	A01K 15/02 119/28.5
D512,867	S *	12/2005	Gates	D6/574
D582,612	S	12/2008	Rutherford	
D594,261	S *	6/2009	Maxwell	D6/574
D690,533	S *	10/2013	Majcher	D6/574
9,332,728	B1 *	5/2016	Birindelli	A47C 7/62
D846,304	S *	4/2019	Allen	D6/574
D889,928	S *	7/2020	Eads	D8/316

D901,934	S *	11/2020	Chiang	D6/571
D916,518	S *	4/2021	Eads	D6/574
2018/0343850	A1 *	12/2018	Bernacki	A01M 29/32

OTHER PUBLICATIONS

“Pet Metro large Aspen Wood Platform Ledge.” Found online Nov. 9, 2021 at www.amazon.com. Product first available Aug. 7, 2019. Retrieved from URL: <https://www.amazon.com/dp/B07W7TWQ32> (Year: 2019).*

“Prevue Pet Extra Large Wooden Platform Shelf.” Found online Nov. 9, 2021 at www.amazon.com. Product first available Nov. 17, 2009. Retrieved from URL: <https://www.amazon.com/dp/B074FDKXZW> (Year: 2009).*

(Continued)

Primary Examiner — Michael C Stout
Assistant Examiner — Katelin G Kloberg

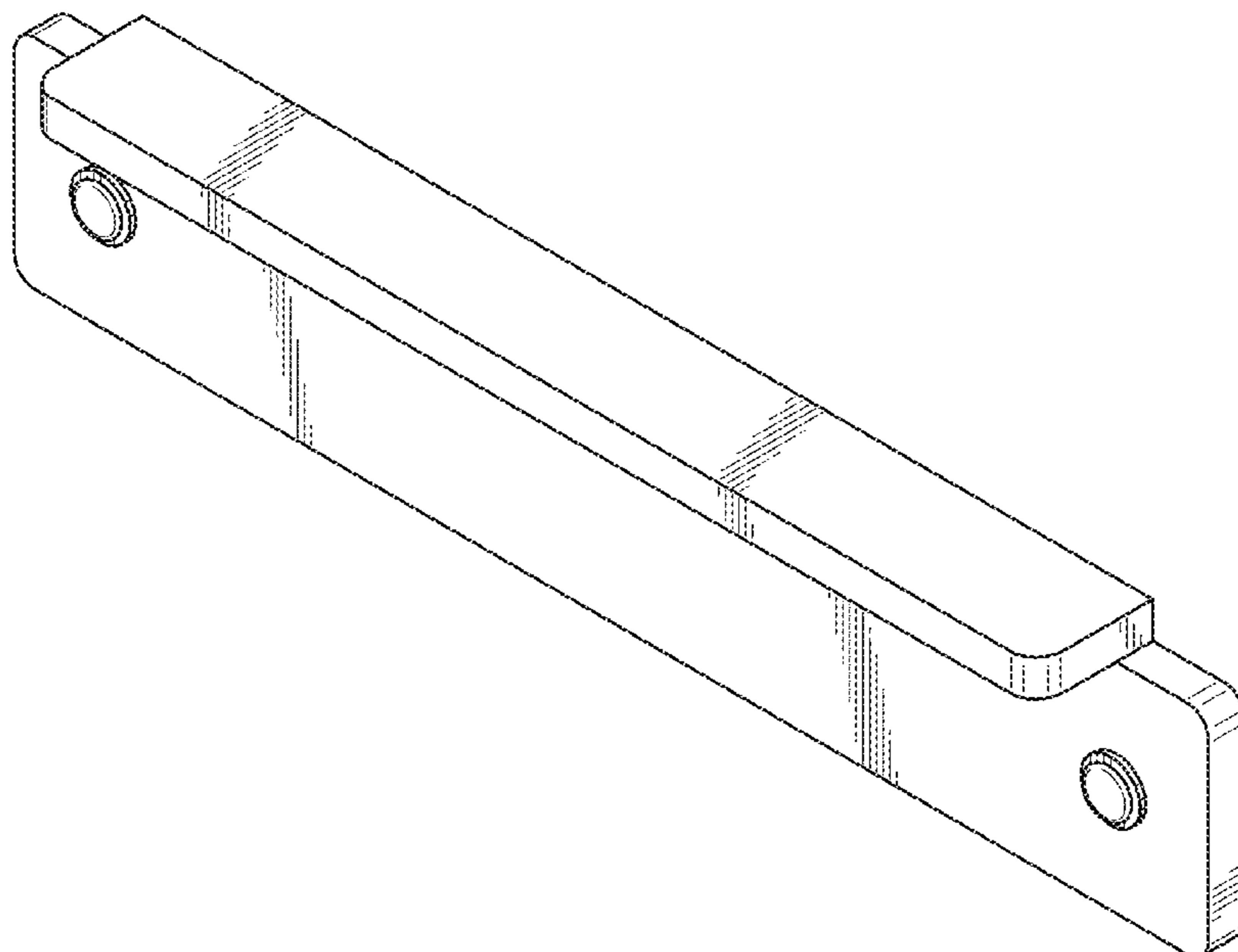
(57) **CLAIM**

The ornamental design for a bird cage landing step attachment, as shown and described.

DESCRIPTION

FIG. 1 is a front view of a bird cage landing step attachment showing my new design;
FIG. 2 is a rear view of the bird cage landing step attachment;
FIG. 3 is a right side view of the bird cage landing step attachment;
FIG. 4 is a left side view of the bird cage landing step attachment;
FIG. 5 is a top view of the bird cage landing step attachment;
FIG. 6 is a bottom view of the bird cage landing step attachment; and,
FIG. 7 is a top front side perspective view of the bird cage landing step attachment.

1 Claim, 4 Drawing Sheets



(56)

References Cited

OTHER PUBLICATIONS

“Pinnacle Woodcraft Oak Flooring Cat Shelf.” Found online Nov. 9, 2021 at www.amazon.com. Product first available Jun. 8, 2015. Retrieved from URL: <https://www.amazon.com/Wooden-Perch-Shelf-Floating-Mount/dp/B00O99ZPI0> (Year: 2015).*

“Crown Ledges.” Found online Nov. 9, 2021 at www.ana-white.com. Page dated Aug. 3, 2012. Retrieved from URL: <https://www.ana-white.com/woodworking-projects/crown-ledges> (Year: 2012).*

* cited by examiner

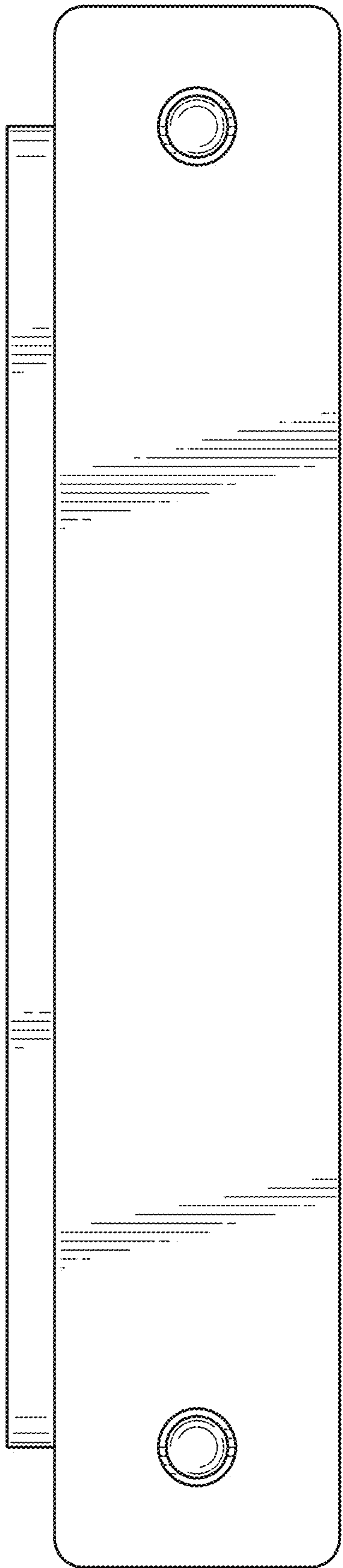


FIG. 1

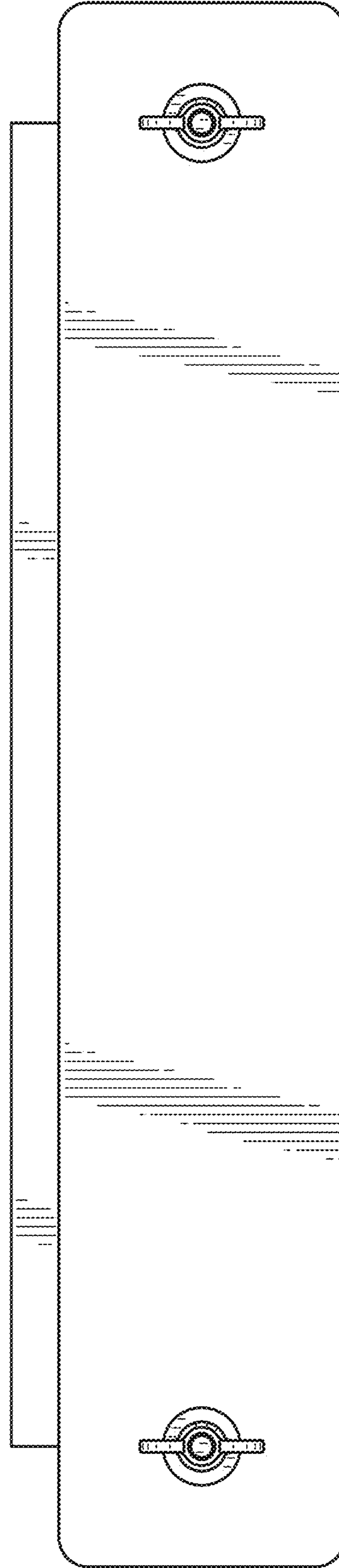


FIG. 2

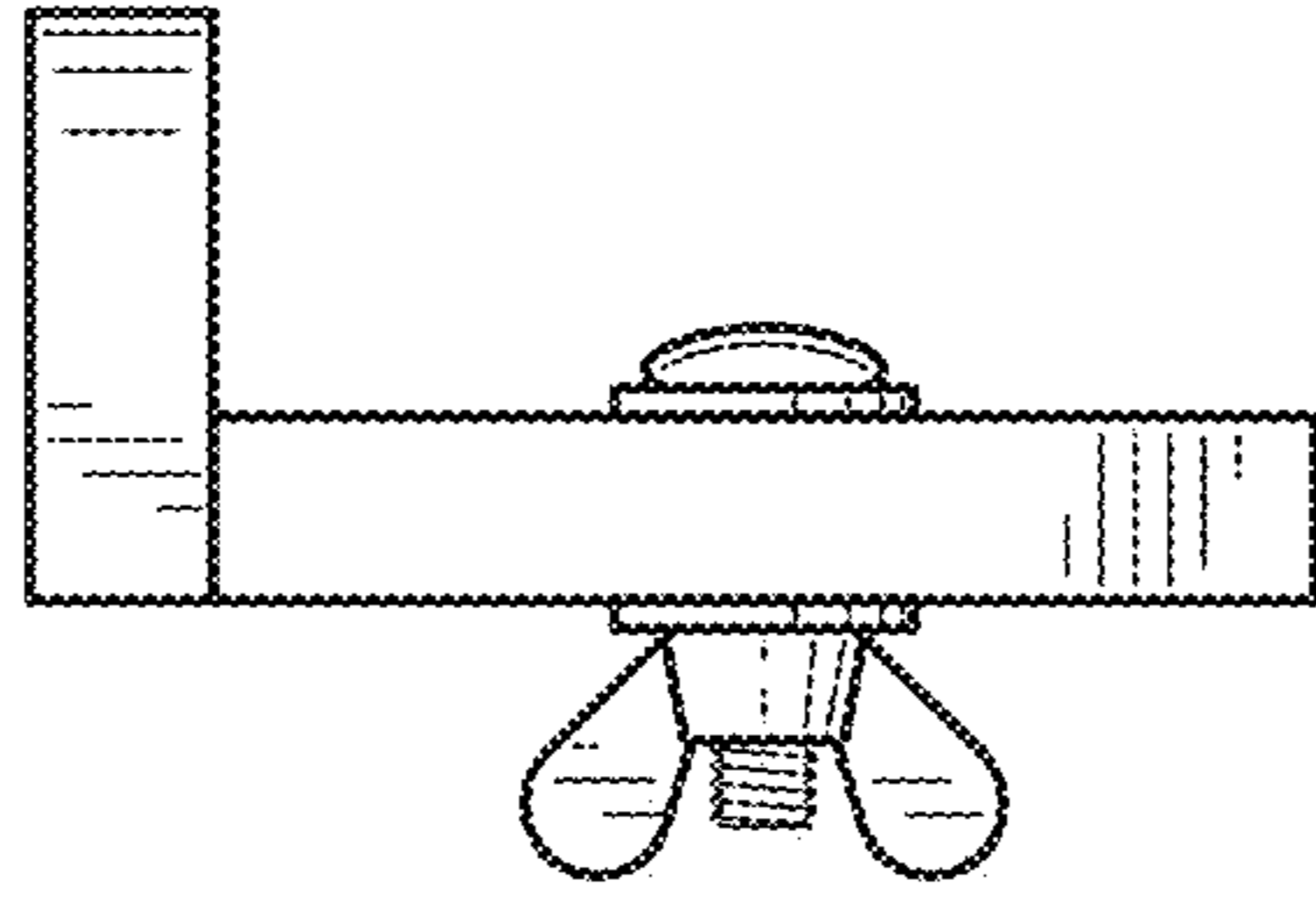


FIG. 4

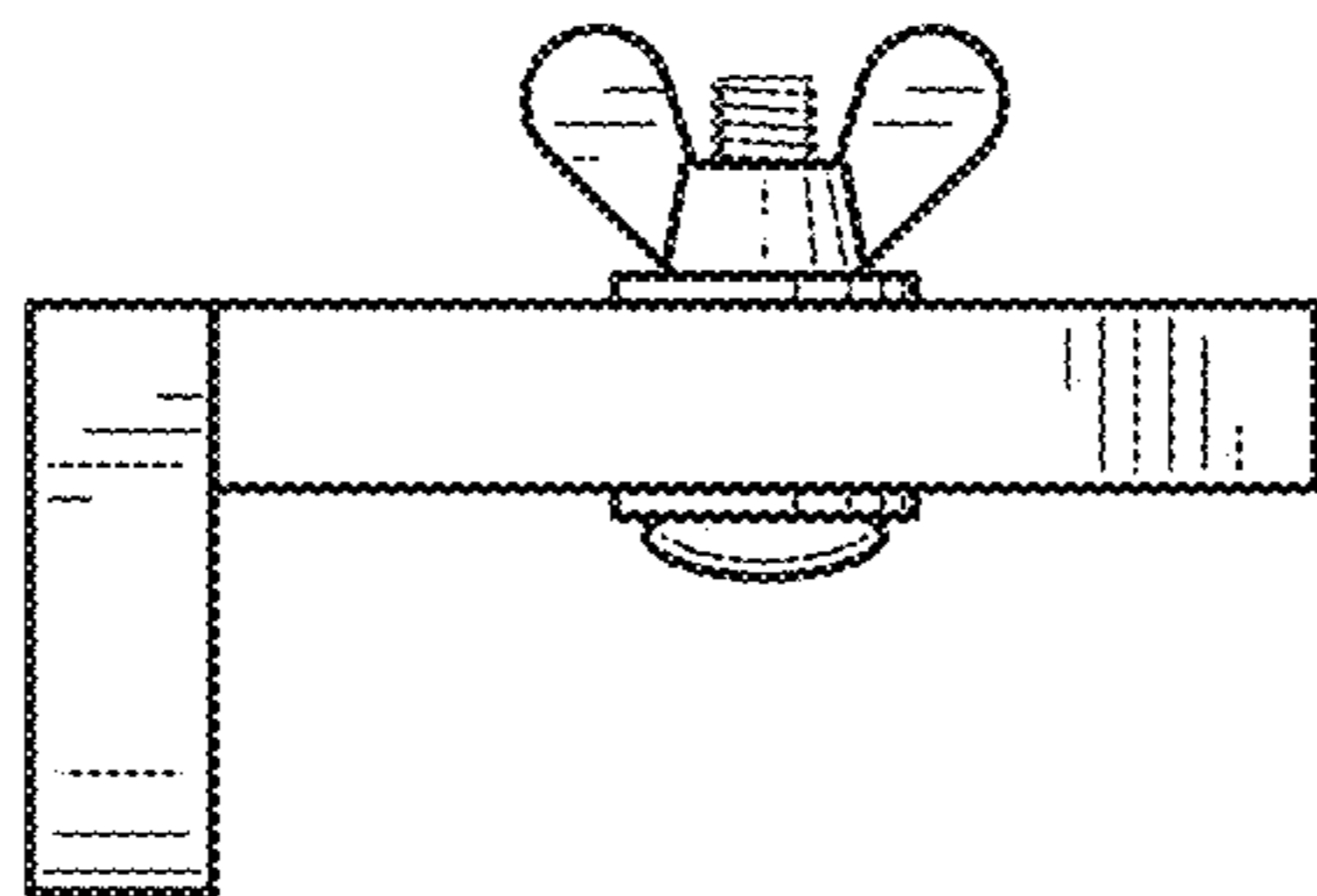


FIG. 3

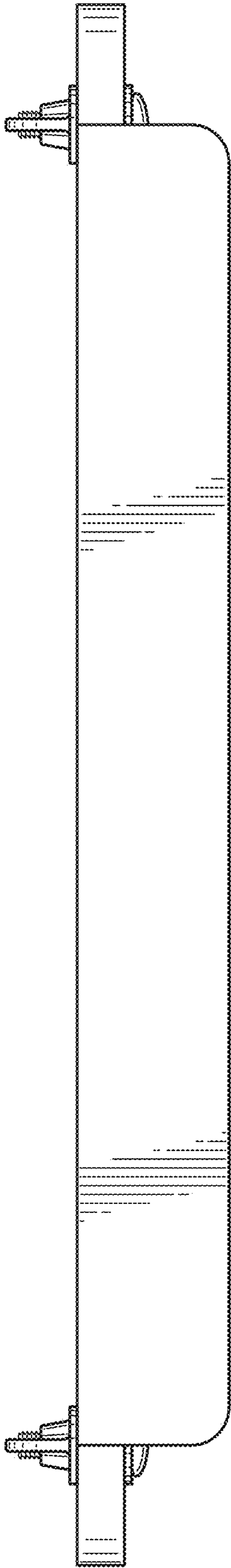


FIG. 5

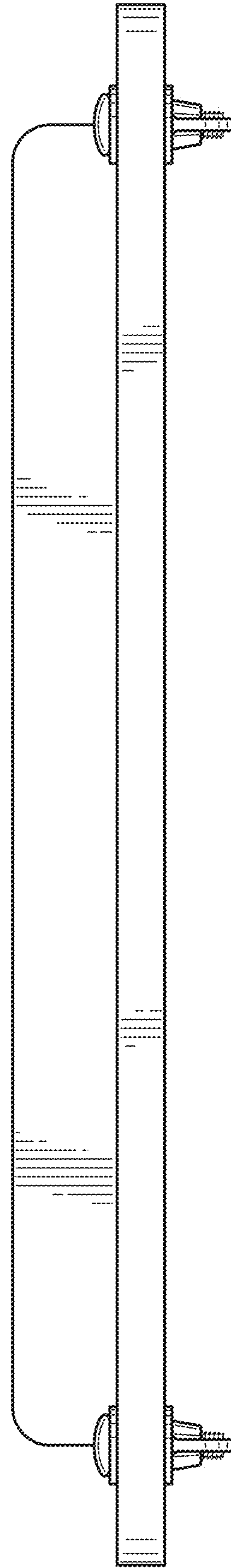


FIG. 6

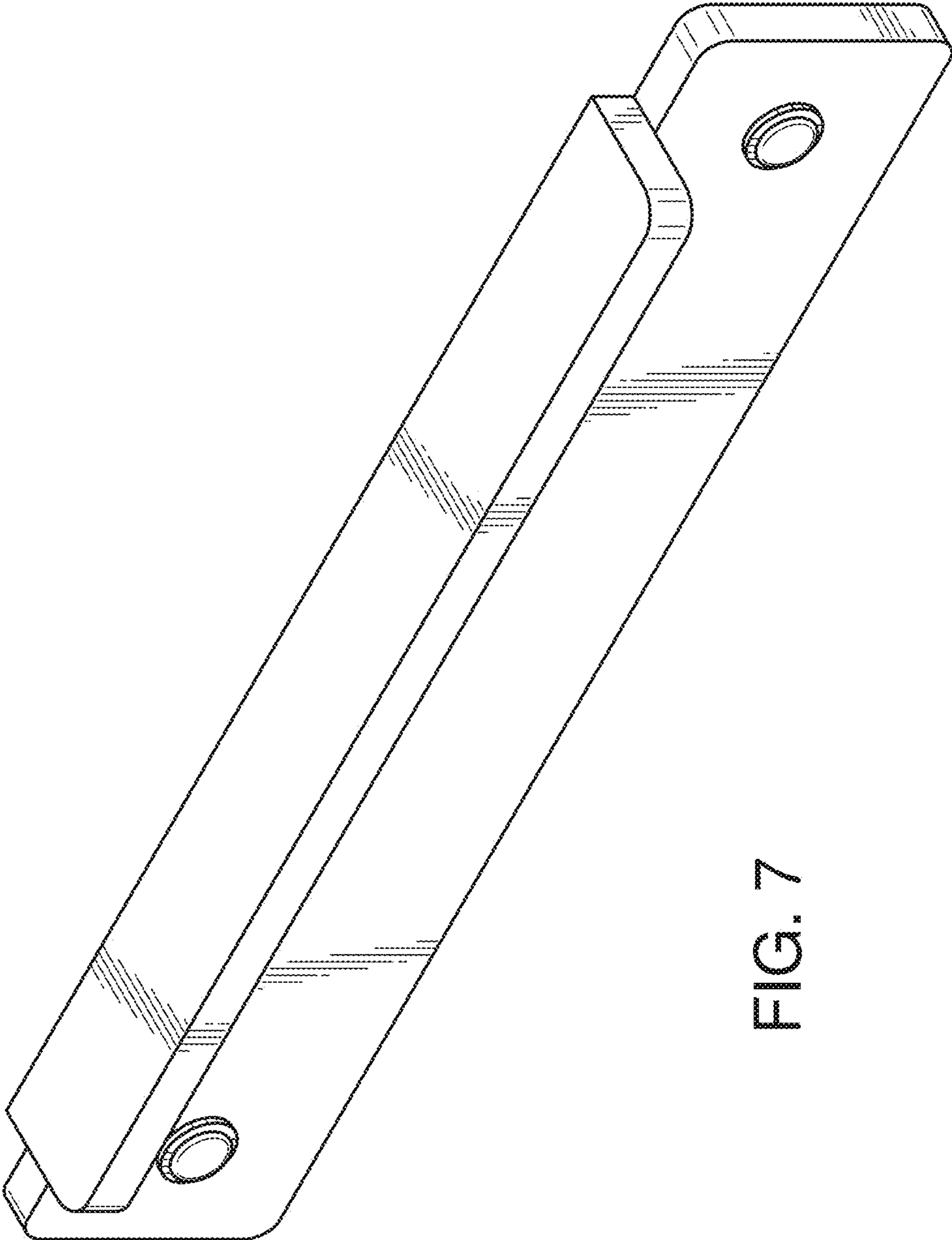


FIG. 7