



US00D975366S

(12) **United States Design Patent**
Wu

(10) **Patent No.:** **US D975,366 S**
(45) **Date of Patent:** **** Jan. 10, 2023**

(54) **STRENGTHEN SUCKER**
(71) Applicant: **Changli Wu, Linyi (CN)**
(72) Inventor: **Changli Wu, Linyi (CN)**
(73) Assignee: **Shenzhen Yarui Technology Innovation Co., Ltd., Shenzhen (CN)**

D640,424 S * 6/2011 Yen D30/106
8,632,677 B2 * 1/2014 Sherman A01K 63/10
210/242.1
D716,507 S 10/2014 Mayer
D880,078 S 3/2020 Liao et al.
D957,744 S * 7/2022 Wu D30/106
2007/0051320 A1 * 3/2007 Yen A01K 63/10
119/264

(**) Term: **15 Years**

* cited by examiner

(21) Appl. No.: **29/831,214**

Primary Examiner — Wan Laymon

(22) Filed: **Mar. 18, 2022**

(57) **CLAIM**

(30) **Foreign Application Priority Data**

The ornamental design for a strengthen sucker, as shown and described.

Sep. 27, 2021 (CN) 202130641839.4

(51) **LOC (14) Cl.** **30-02**

(52) **U.S. Cl.**
USPC **D30/106**

(58) **Field of Classification Search**
USPC D30/101–107
CPC A01K 63/006; A01K 63/045; A01K 63/10
See application file for complete search history.

DESCRIPTION

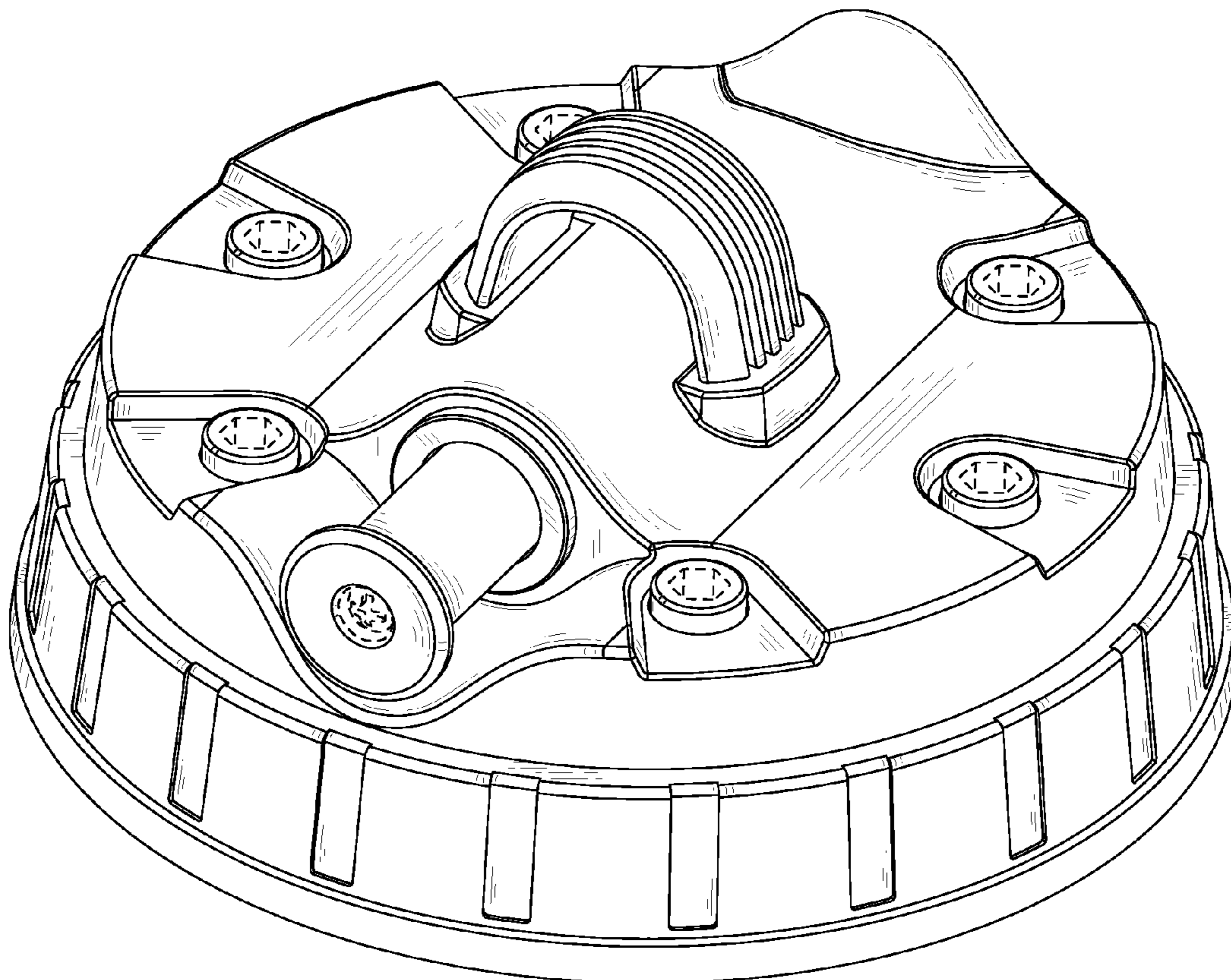
FIG. 1 is a perspective view of a strengthen sucker showing my new design;
FIG. 2 is a front elevational view thereof;
FIG. 3 is a rear elevational view thereof;
FIG. 4 is a left side elevational view thereof;
FIG. 5 is a right side elevational view thereof;
FIG. 6 is a top plan view thereof; and,
FIG. 7 is a bottom plan view thereof.
The broken lines throughout the drawing figures depict portions of the strengthen sucker that form no part of the claimed design.

(56) **References Cited**

U.S. PATENT DOCUMENTS

6,474,266 B1 * 11/2002 Arnett A01K 63/006
47/41.13
7,273,020 B2 * 9/2007 Montoya A01K 63/006
119/245

1 Claim, 7 Drawing Sheets



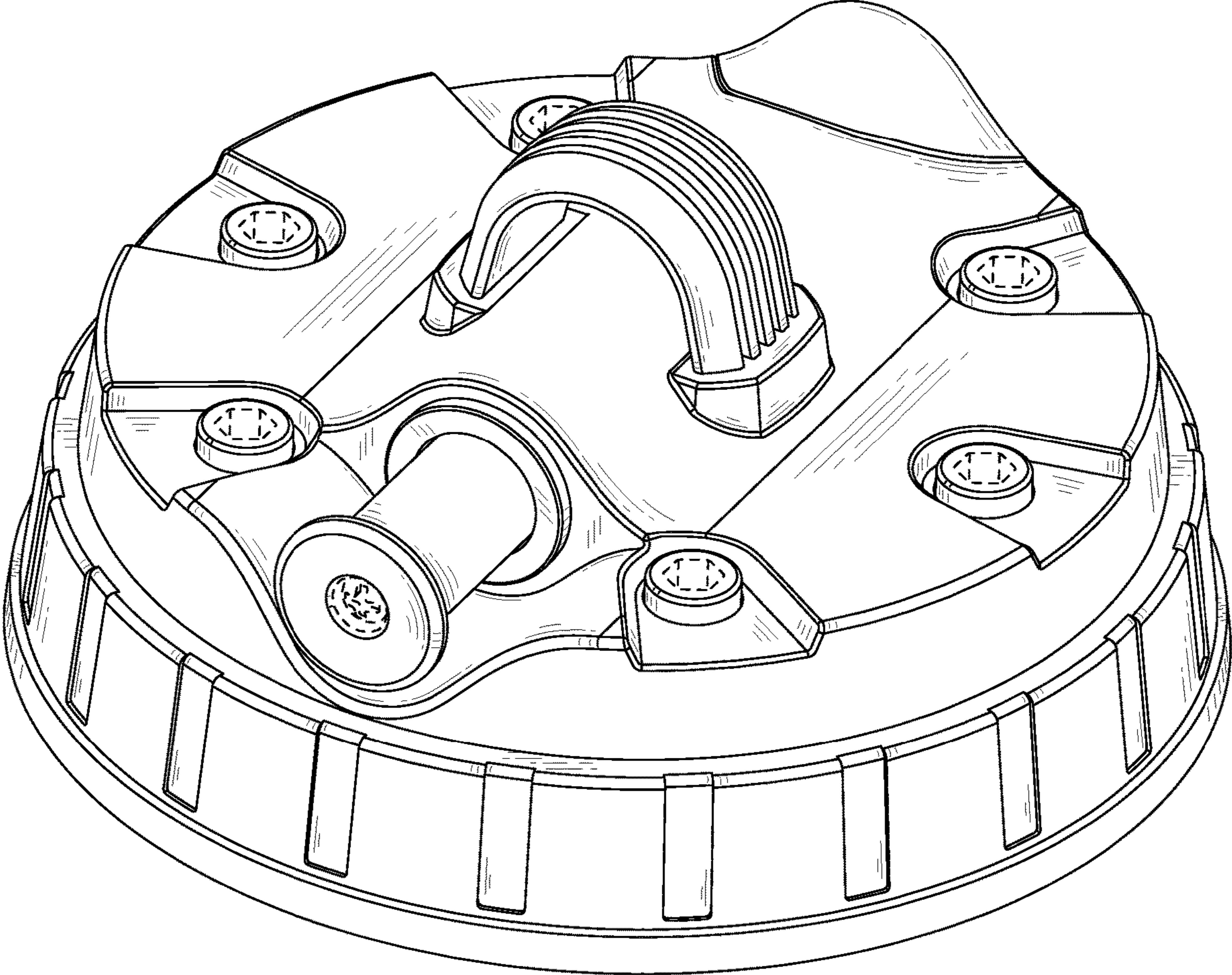


FIG.1

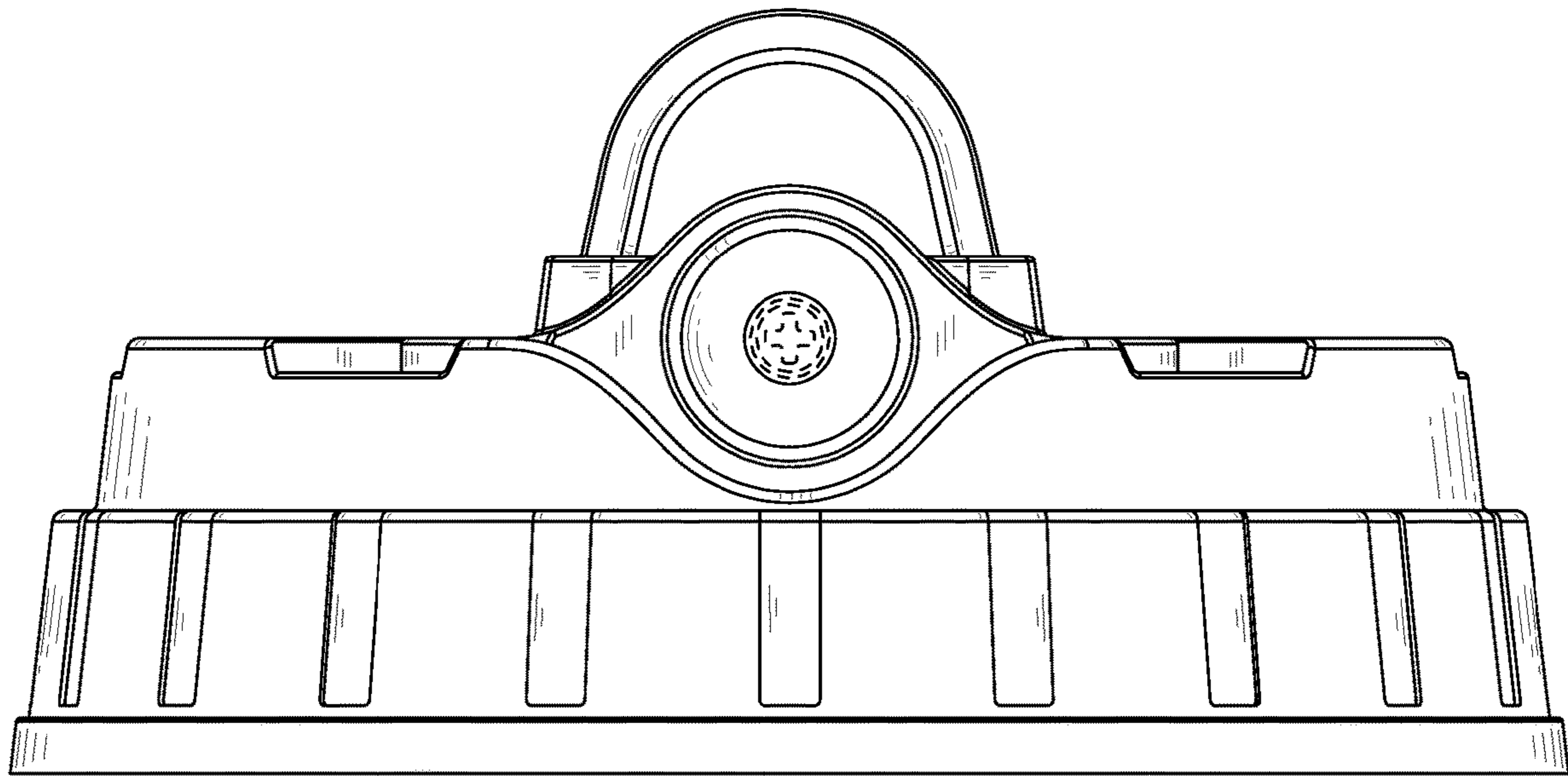


FIG.2

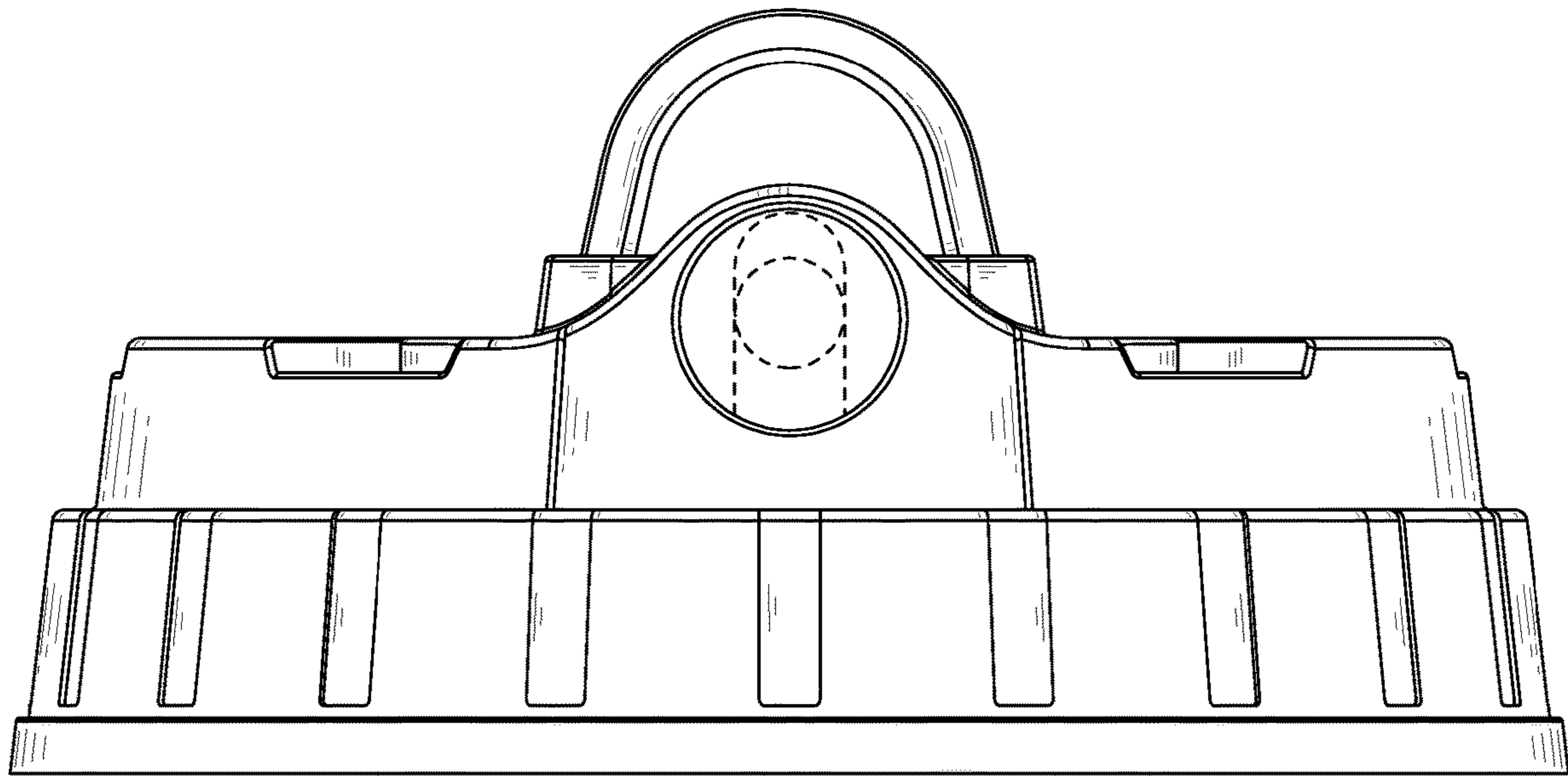


FIG.3

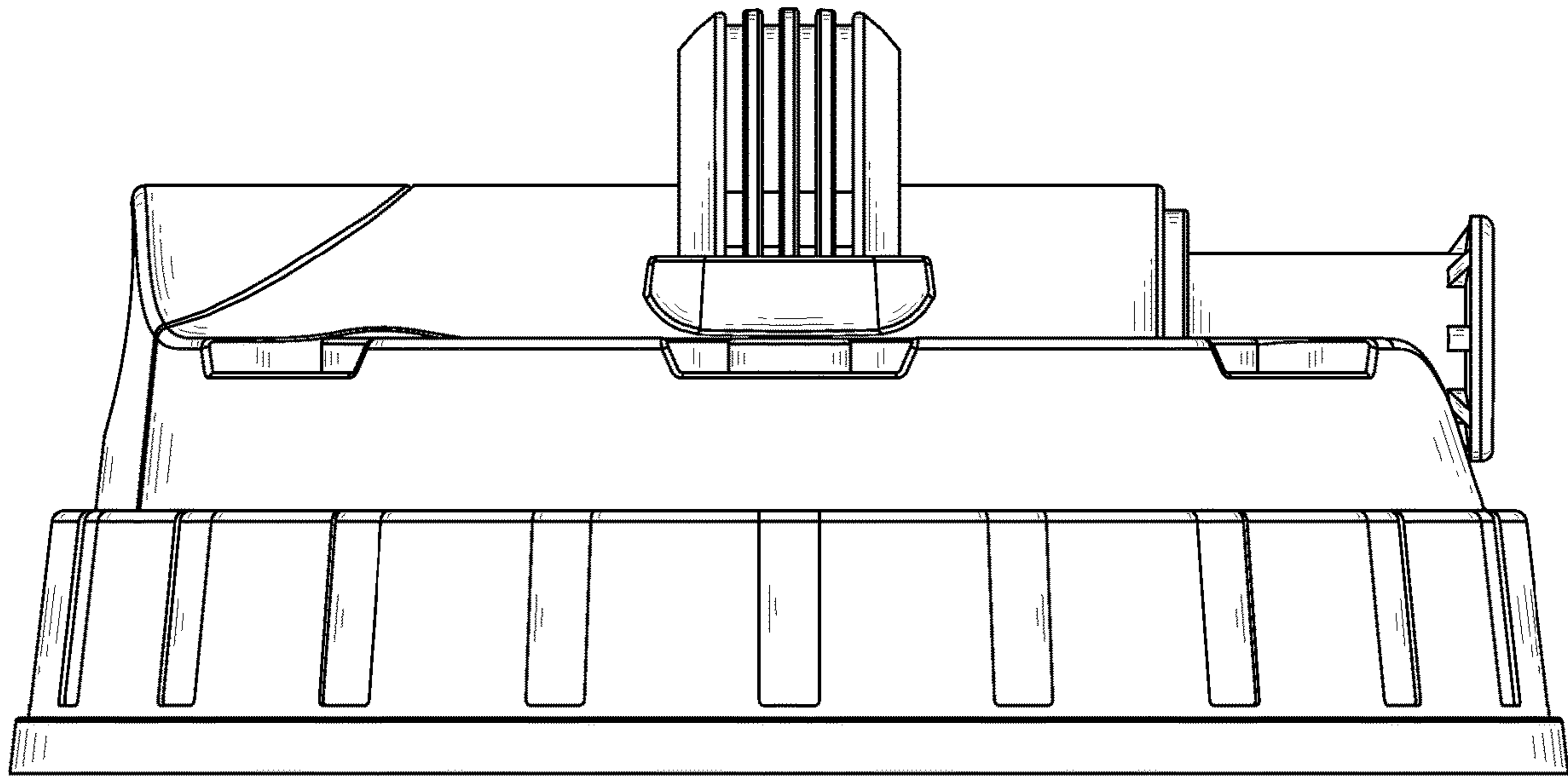


FIG.4

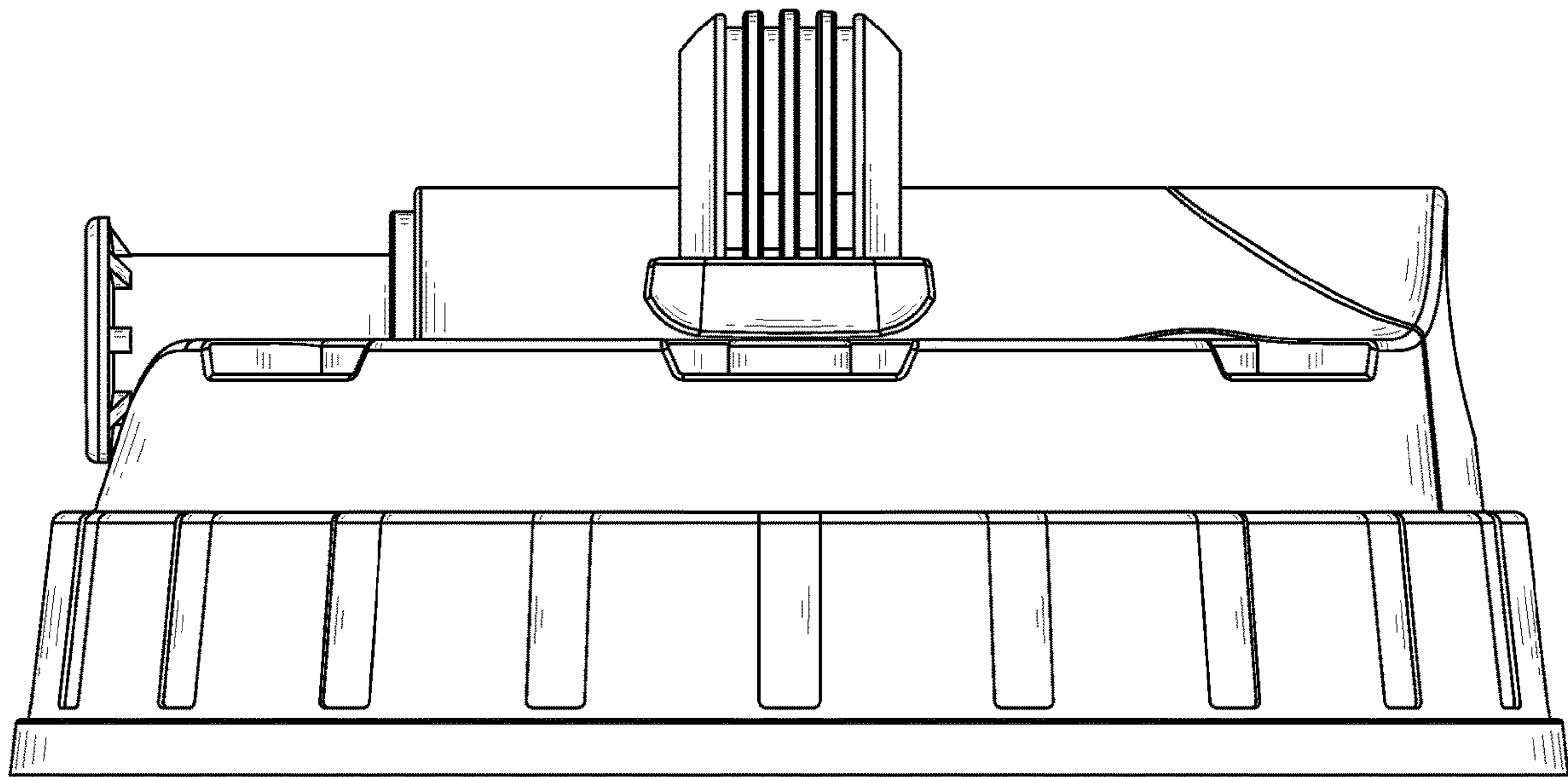


FIG.5

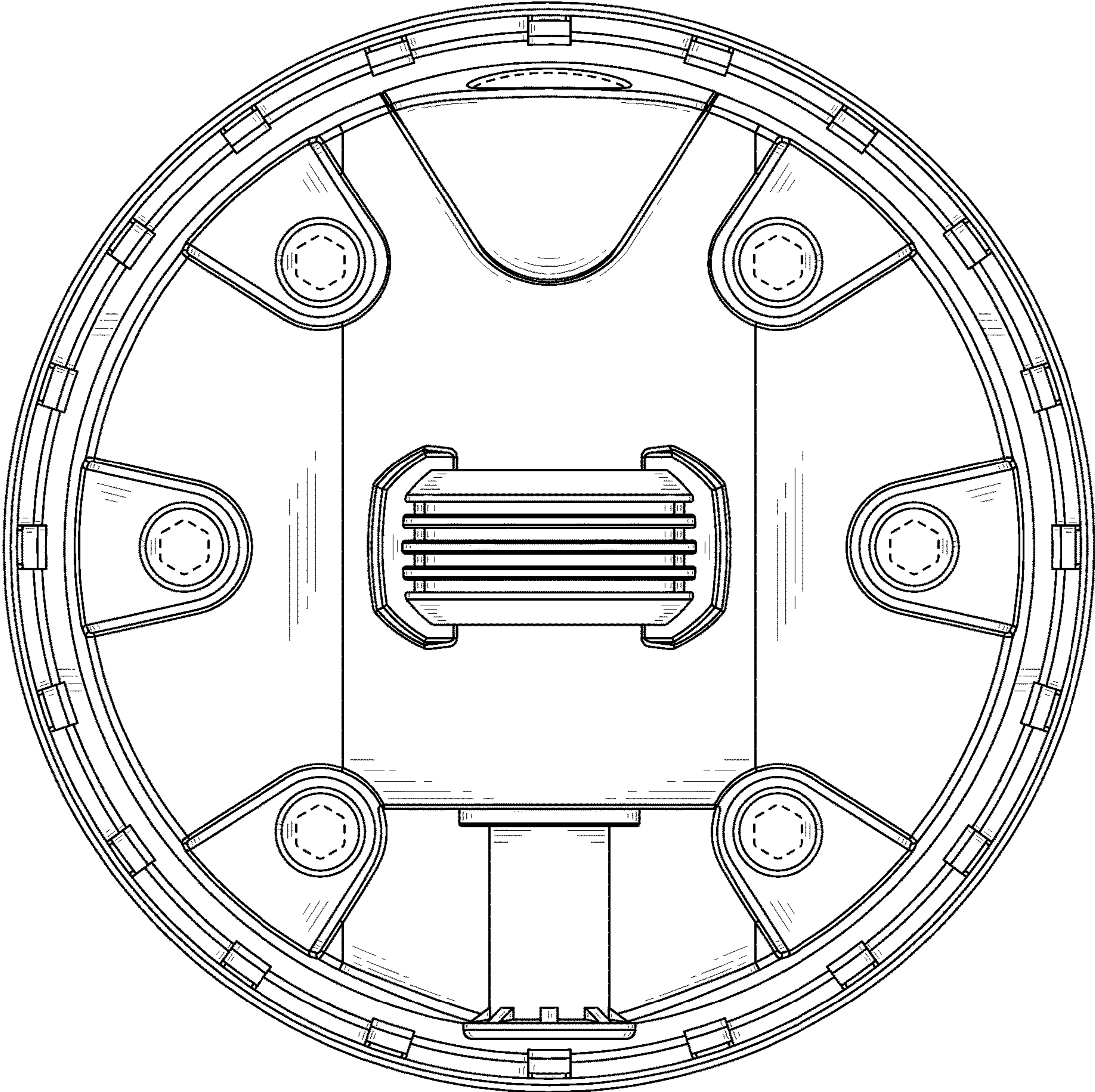


FIG.6

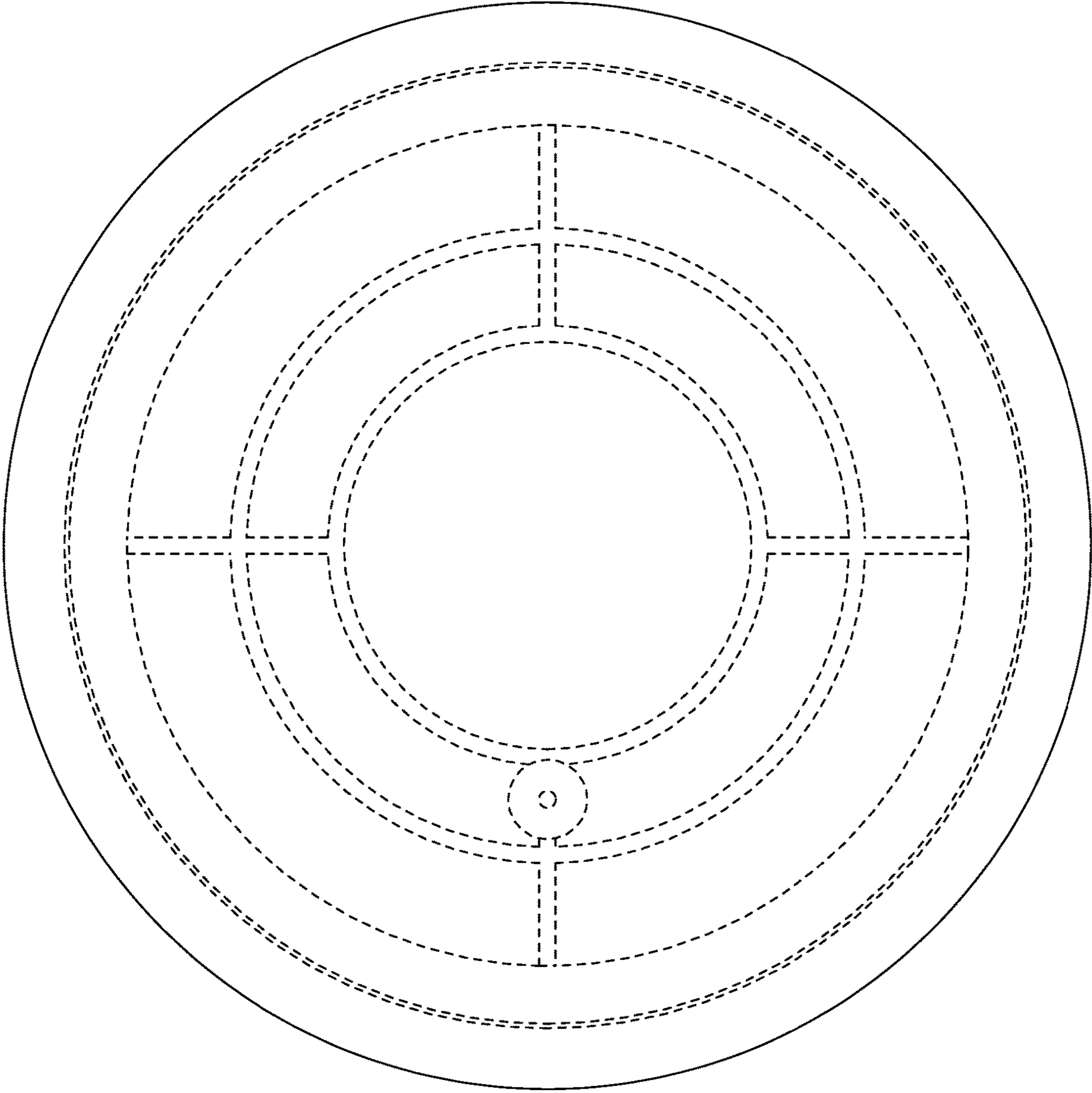


FIG. 7