



US00D975365S

(12) **United States Design Patent** (10) **Patent No.:** **US D975,365 S**
Workman et al. (45) **Date of Patent:** **** Jan. 10, 2023**

(54) **COVER OF A FLUID CONTROL VALVE ASSEMBLY FOR FIRE PROTECTION SYSTEMS**

(71) Applicant: **Viking Group, Inc.**, Caledonia, MI (US)
(72) Inventors: **Martin H. Workman**, Delton, MI (US); **Ori Levin**, Petach-Tikva (IL); **Svetlana Sulema**, Haderah (IL); **Guy Levin**, Herzliya (IL)
(73) Assignee: **Viking Group, Inc.**, Caledonia, MI (US)

(**) Term: **15 Years**

(21) Appl. No.: **29/754,351**

(22) Filed: **Oct. 9, 2020**

(51) **LOC (14) Cl.** **29-01**

(52) **U.S. Cl.**
USPC **D29/129**

(58) **Field of Classification Search**
USPC D29/125, 129
CPC F16K 7/12; F16K 7/126; A62C 35/68
See application file for complete search history.

(56) **References Cited**

U.S. PATENT DOCUMENTS

- 2,579,982 A * 12/1951 Trump F16K 7/126
251/256
- 2,947,325 A * 8/1960 Mcfarland, Jr. F16K 7/126
156/291
- 4,203,464 A * 5/1980 Farrell F16K 31/52491
137/454.2

(Continued)

FOREIGN PATENT DOCUMENTS

- WO D214965-001 * 10/2021
- WO D214965-002 * 10/2021

OTHER PUBLICATIONS

Tyco DV-5A Manual_Manualzz, available in Manualzz.com, announced Dec. 2018 [online], [site visited Aug. 29, 2022], Internet URL : <https://manualzz.com/doc/54839307/tyco-dv-5a-manual> (Year: 2018).*

Primary Examiner — Jennifer L Rempfer
Assistant Examiner — Elizabeth Anne Glassberg
(74) *Attorney, Agent, or Firm* — Perkins Coie LLP

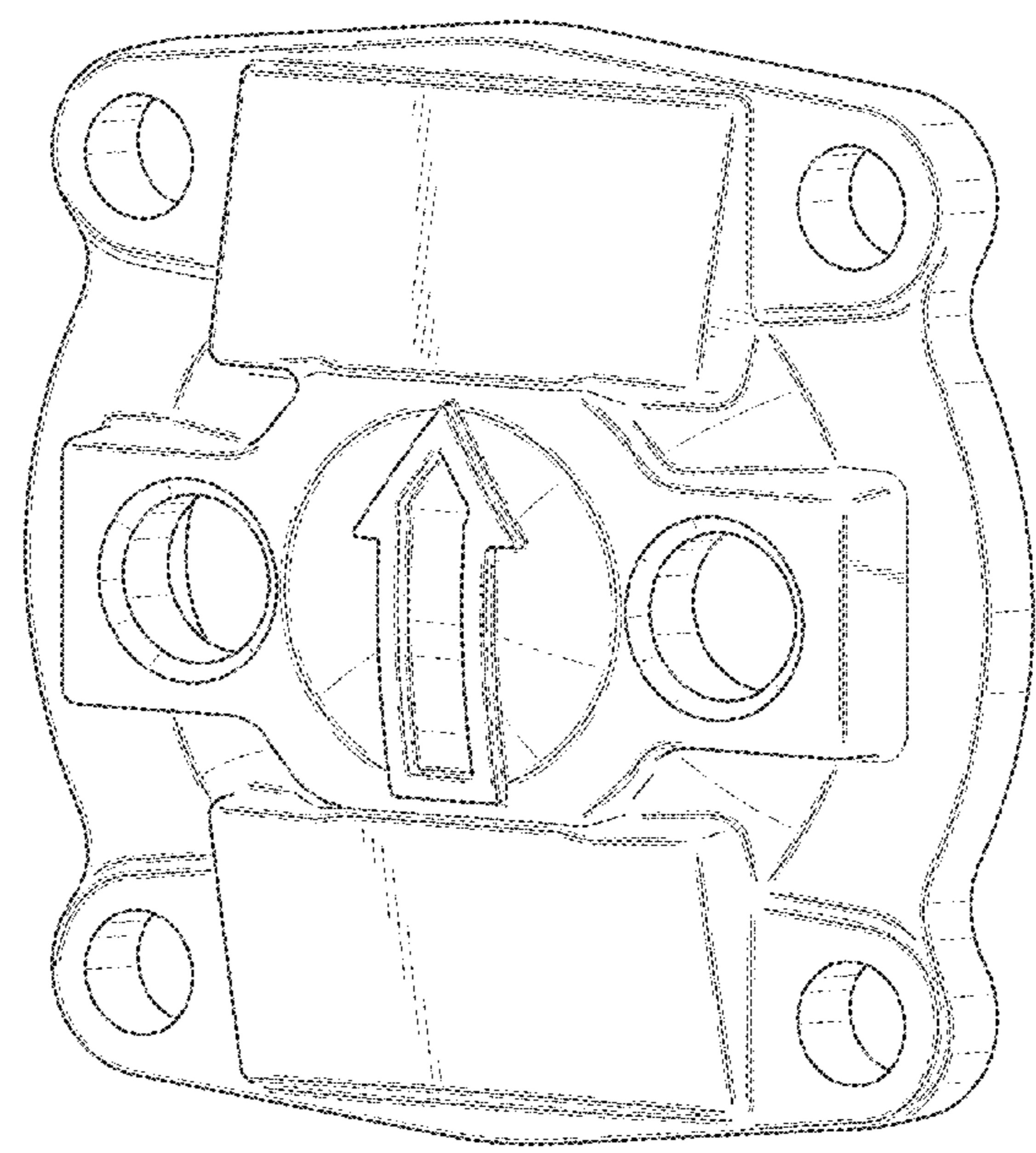
(57) **CLAIM**

The ornamental design for a cover of a fluid control valve assembly for fire protection systems, as shown and described.

DESCRIPTION

FIG. 1 Is A Front Perspective View Showing a cover of a fluid control valve assembly for fire protection systems In Accordance With A First Embodiment Of Our New Design;
 FIG. 2 Is A Front View thereof;
 FIG. 3 Is A Left Side View thereof;
 FIG. 4 Is A Right Side View thereof;
 FIG. 5 Is A Top View thereof;
 FIG. 6 Is A Bottom View thereof.
 FIG. 7 Is A Front Perspective View Showing a cover of a fluid control valve assembly for fire protection systems In Accordance With A Second Embodiment of Our New Design;
 FIG. 8 Is A Front View thereof;
 FIG. 9 Is A Left Side View thereof;
 FIG. 10 Is A Right Side View thereof;
 FIG. 11 Is A Top View thereof; and,
 FIG. 12 Is A Bottom View thereof.
 The Back View of each of the First and Second Embodiments does not constitute part of the claimed design.
 The shading lines in the drawings show contour and are not intended to indicate surface ornamentation.

1 Claim, 8 Drawing Sheets



(56)

References Cited

U.S. PATENT DOCUMENTS

6,095,484 A *	8/2000	Frenkel	F16K 7/126	137/488				
7,059,578 B2 *	6/2006	Frenkel	F16K 7/126	92/130 B				
7,201,187 B2 *	4/2007	Irwin	F16K 31/365	251/210				
9,423,040 B2 *	8/2016	Barrila'	F16K 31/1268					
D777,991 S *	1/2017	Rousseau	F16K 31/52491	D29/125				
9,574,673 B2 *	2/2017	Ringer	F16K 7/12					
D823,547 S *	7/2018	Rousseau	F16K 7/126	D29/125				
D901,092 S *	11/2020	Penno	D29/125					
D901,785 S *	11/2020	Penno	F16K 27/0263	D29/125				
D929,048 S *	8/2021	Penno	F16K 7/17	D29/125				
11,137,080 B2 *	10/2021	Williams	F16K 27/0236					
D944,462 S *	2/2022	Seymour	F16K 31/1268	D29/125				
2005/0205815 A1 *	9/2005	Frenkel	F16K 7/126	251/61.1				
2008/0035220 A1 *	2/2008	Irwin	F16K 7/17	137/613				
2010/0071776 A1 *	3/2010	Ringer	F16K 7/126	137/12				
2012/0200047 A1 *	8/2012	Goulding	F16K 7/12	277/654				
2014/0264104 A1 *	9/2014	Ringer	A62C 35/68	251/61.2				
2015/0219233 A1 *	8/2015	Ringer	F16K 7/12	137/535				
2016/0003364 A1 *	1/2016	Ringer	F16K 27/0263	137/625.48				
2016/0195196 A1 *	7/2016	Ringer	A62C 35/68	169/19				
2019/0309861 A1 *	10/2019	Williams	F16K 7/126					

* cited by examiner

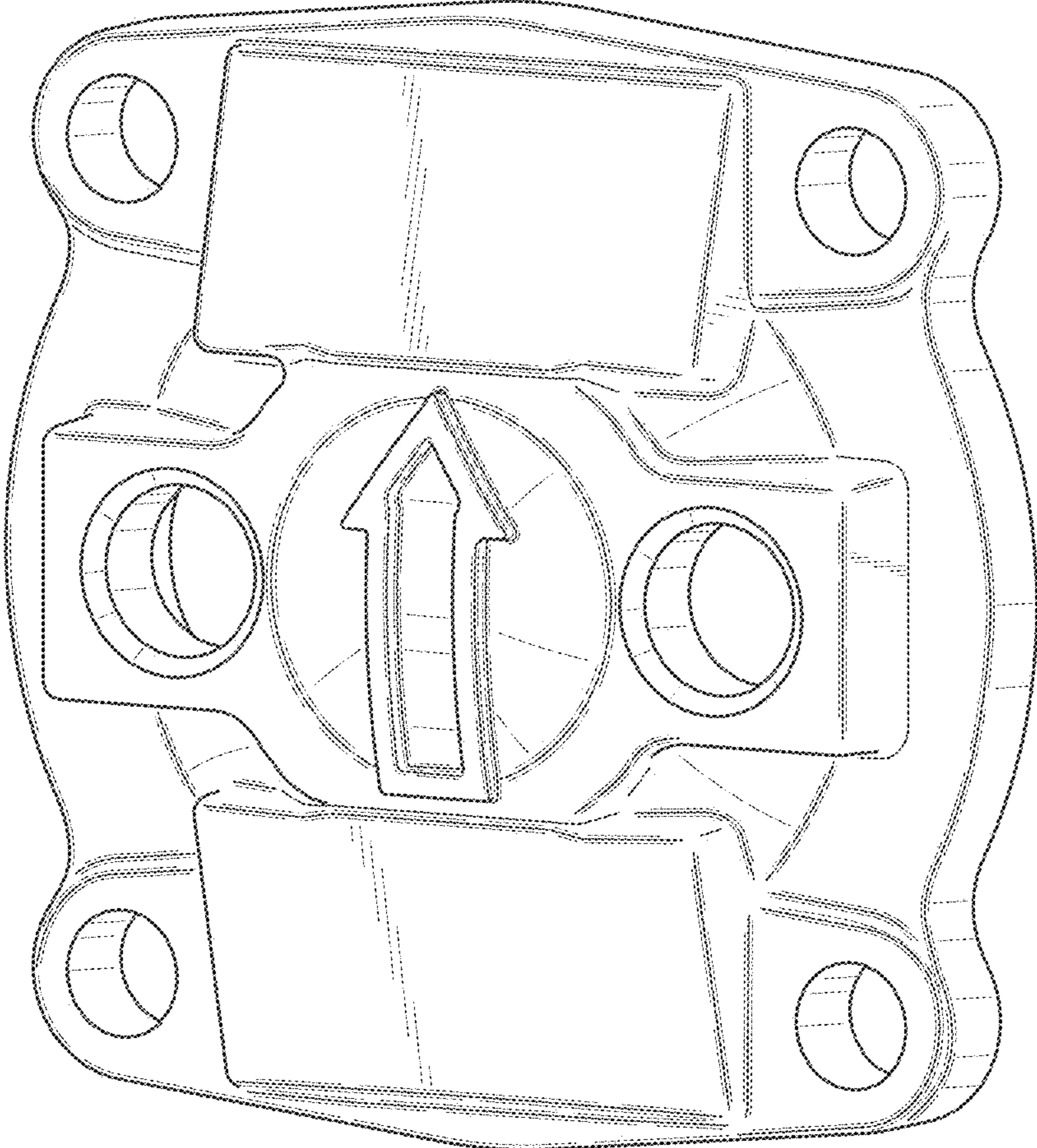


Fig. 1

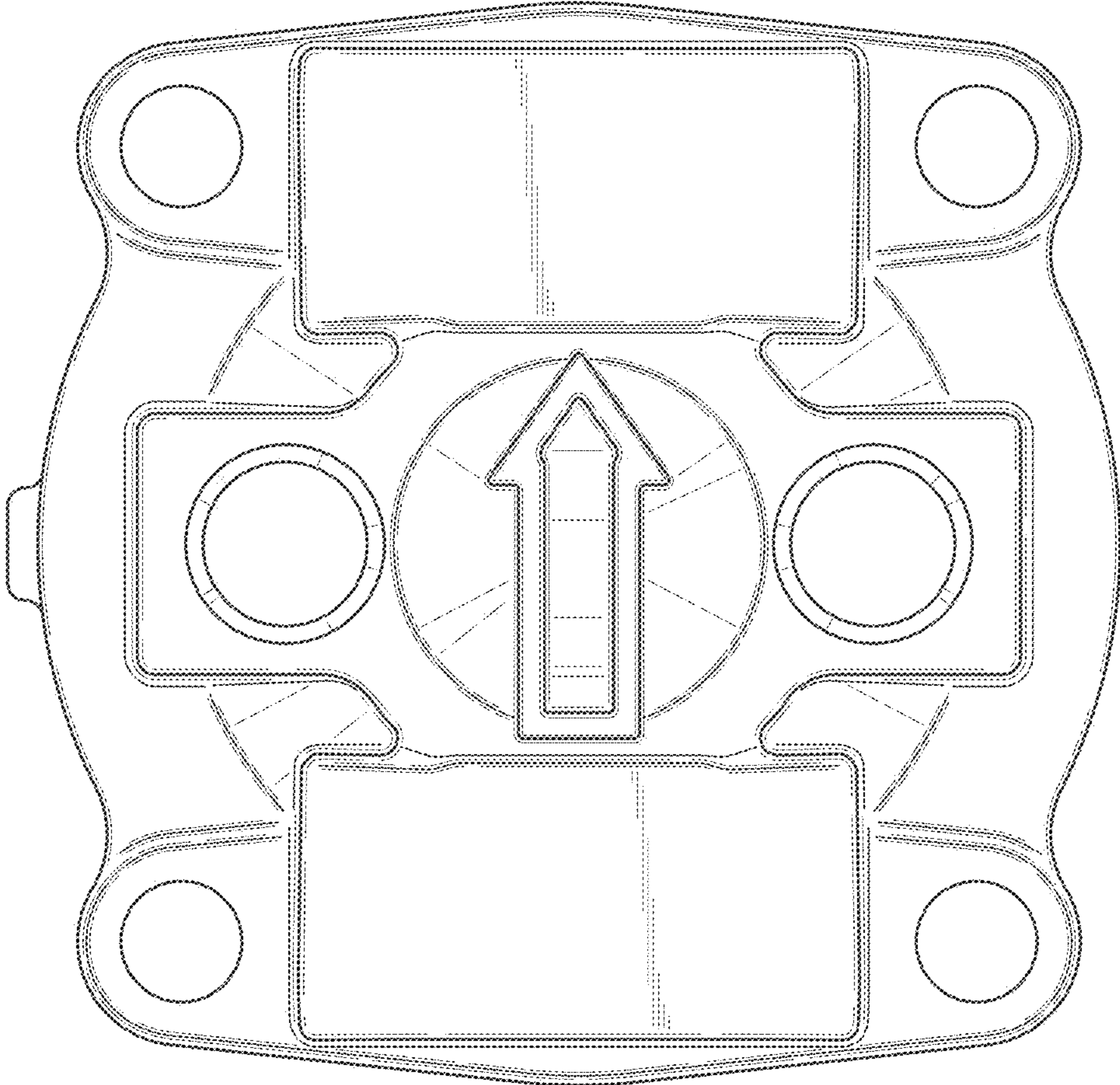


Fig. 2

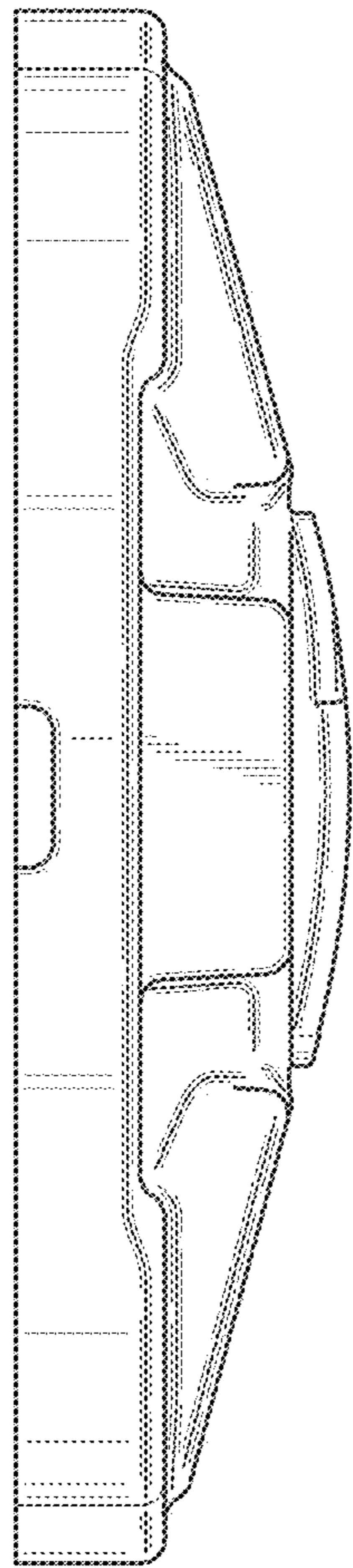


Fig. 3

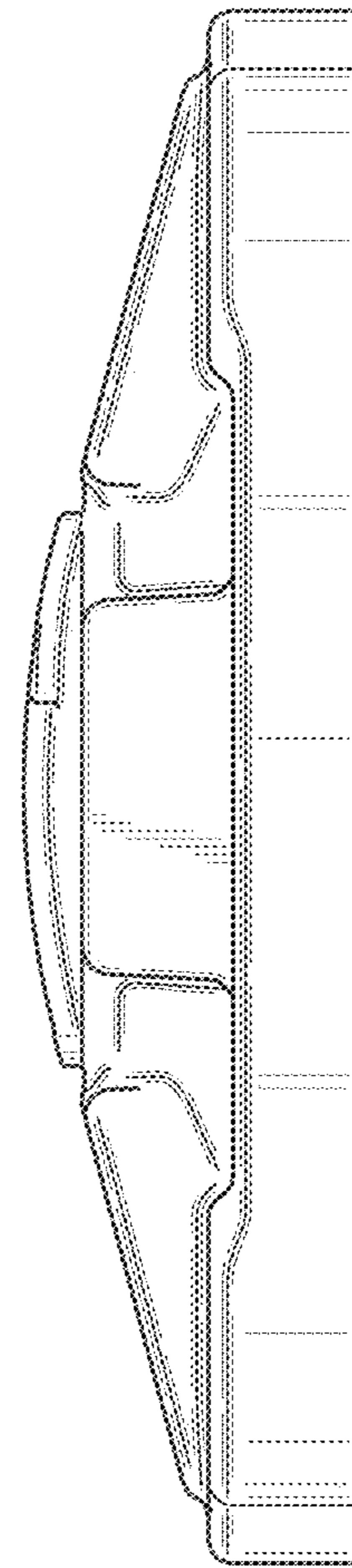


Fig. 4

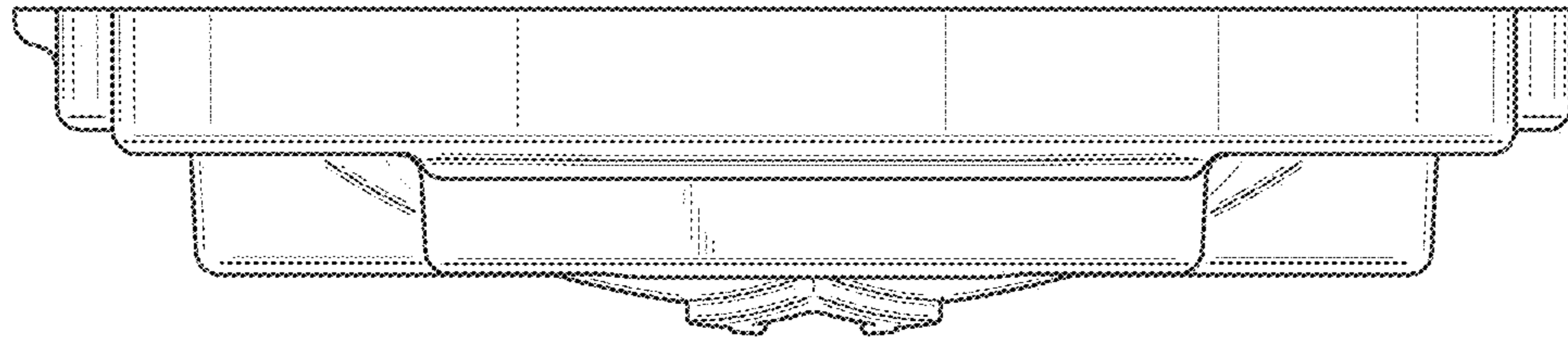


Fig. 5

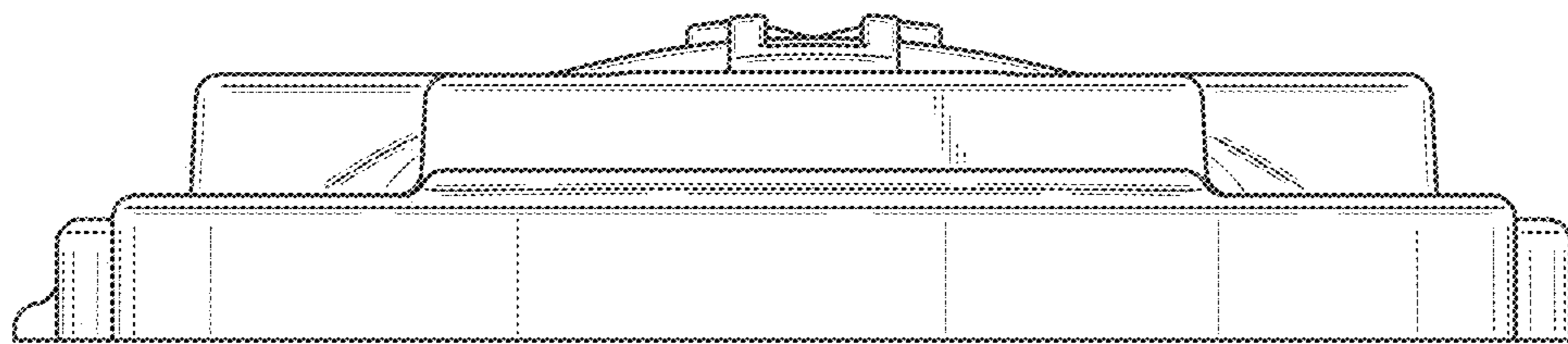


Fig. 6

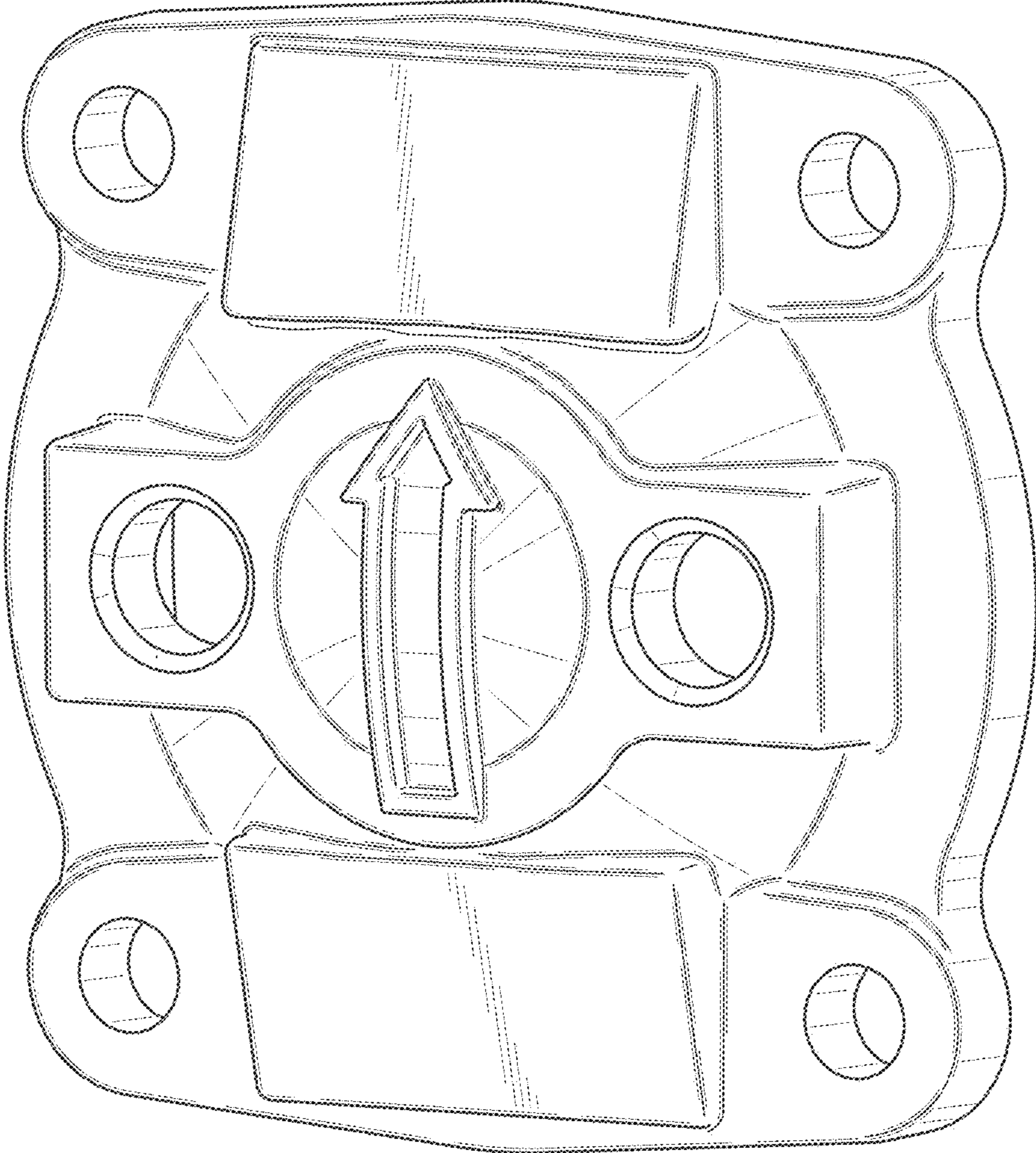


Fig. 7

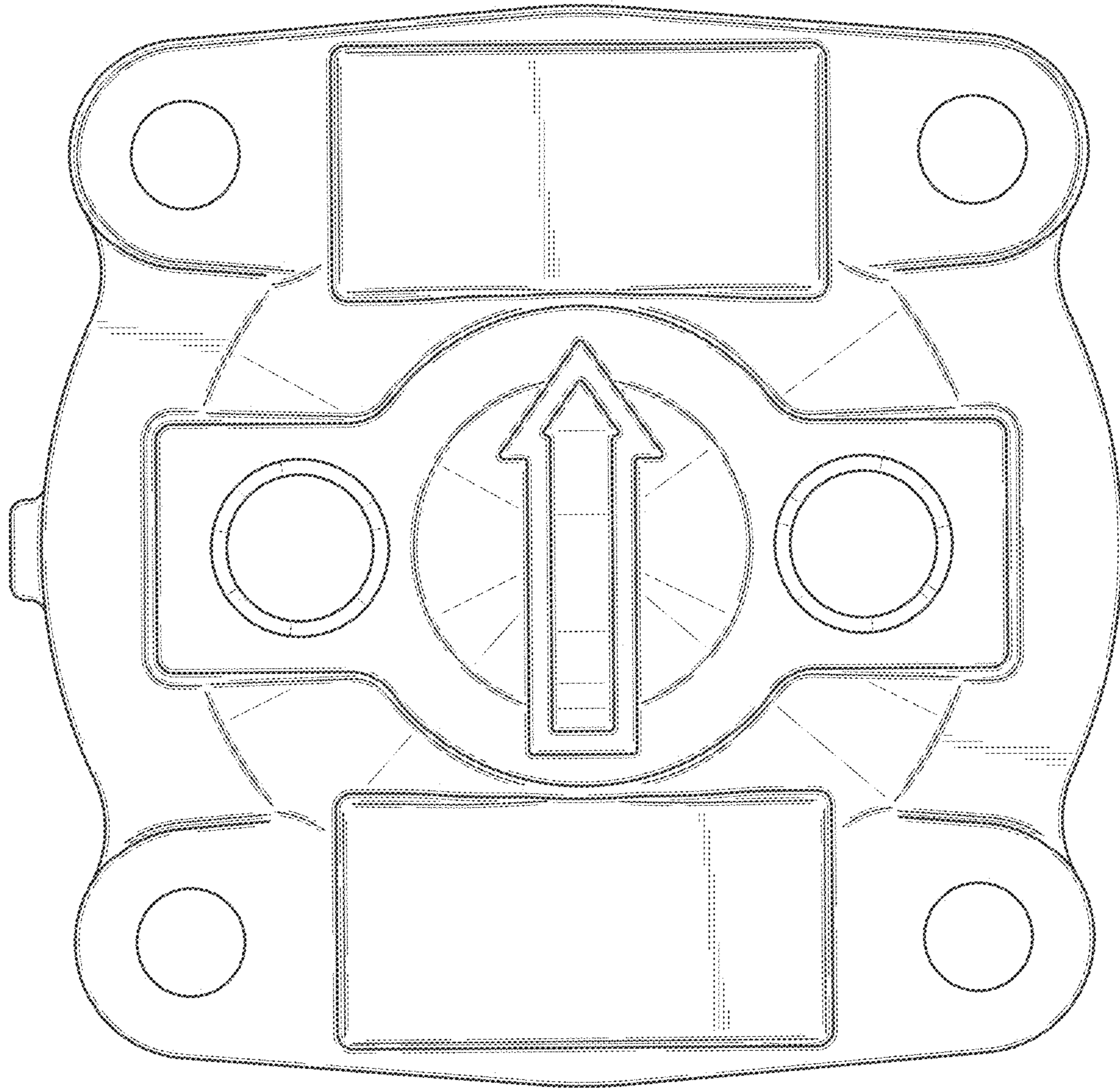


Fig. 8

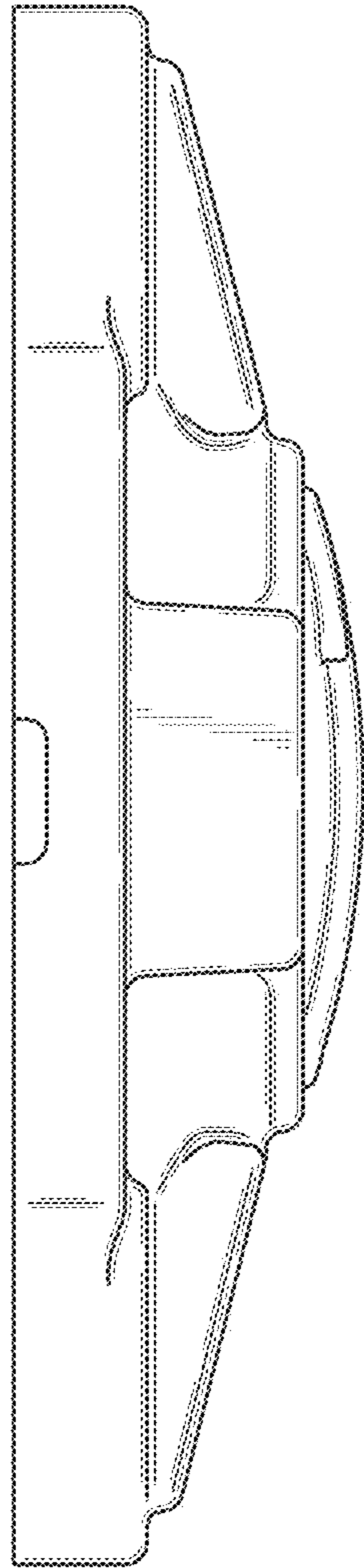


Fig. 9

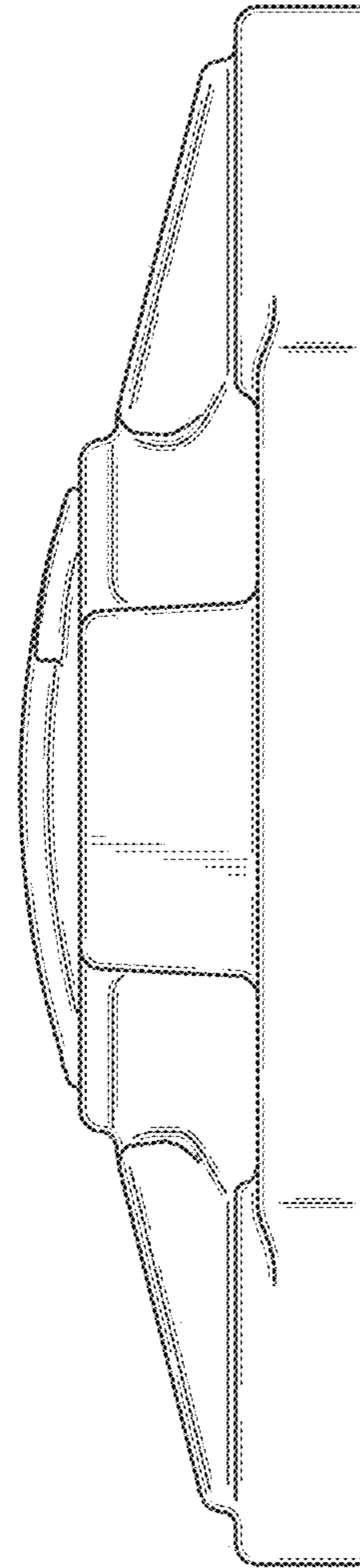


Fig. 10

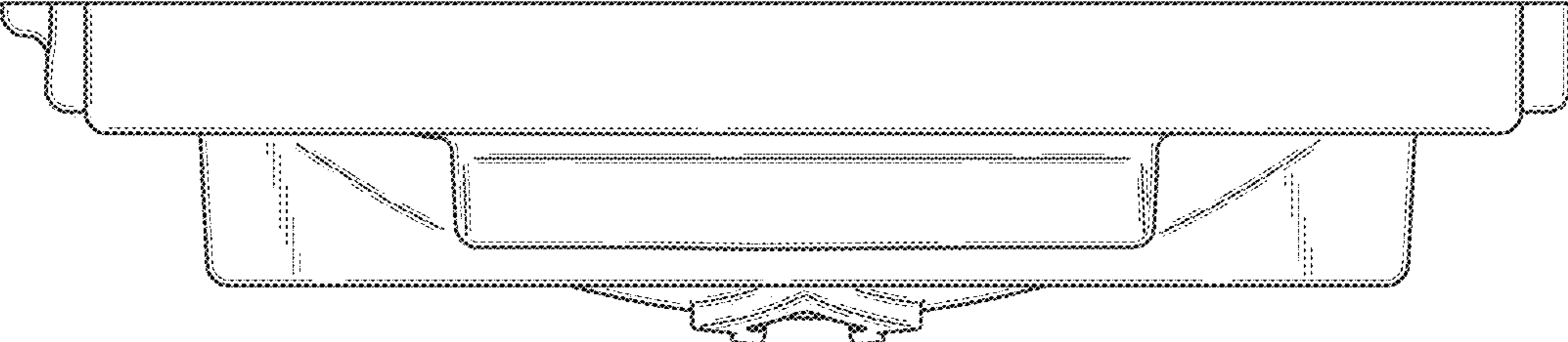


Fig. 11

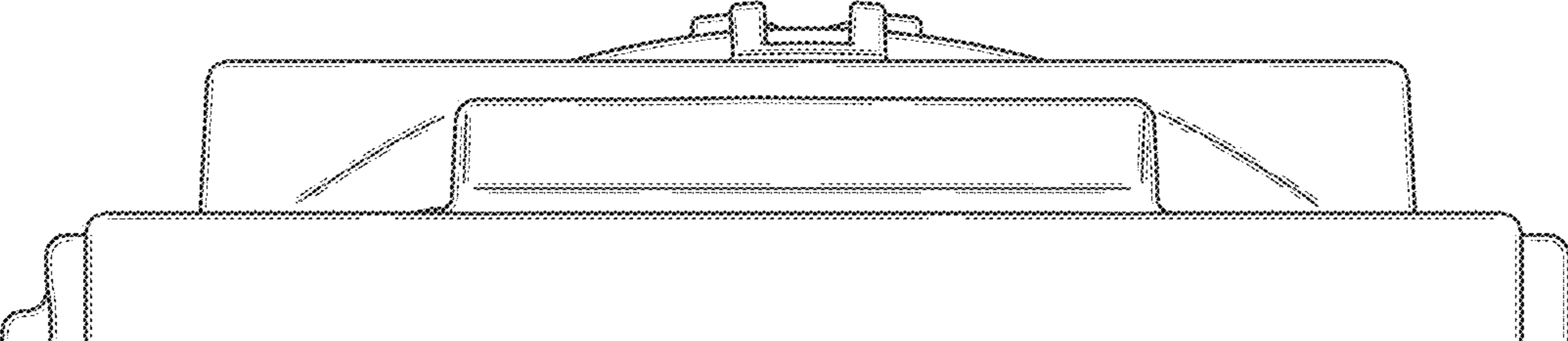


Fig. 12