



US00D975364S

(12) **United States Design Patent**
Paulson

(10) **Patent No.:** **US D975,364 S**

(45) **Date of Patent:** **** Jan. 10, 2023**

(54) **LIFT FRONT HOOD**

(71) Applicant: **PAULSON MANUFACTURING CORPORATION**, Temecula, CA (US)

(72) Inventor: **Roy Paulson**, Murietta, CA (US)

(73) Assignee: **PAULSON MANUFACTURING CORPORATION**, Temecula, CA (US)

(**) Term: **15 Years**

(21) Appl. No.: **29/776,501**

(22) Filed: **Mar. 30, 2021**

(51) **LOC (14) Cl.** **29-02**

(52) **U.S. Cl.**
USPC **D29/110**

(58) **Field of Classification Search**
USPC D29/102, 105-109, 110, 122; D24/101.1,
D24/101.2; D2/866
See application file for complete search history.

(56) **References Cited**

U.S. PATENT DOCUMENTS

- 6,016,805 A * 1/2000 Burns A42B 3/10
2/442
- D631,612 S * 1/2011 Tajima D29/102
- D668,758 S * 10/2012 Hall D24/110.2

- D712,598 S 9/2014 Mehra et al.
- D829,384 S * 9/2018 Paulson D29/110
- D834,756 S 11/2018 Paulson
- 10,136,693 B1 * 11/2018 Paulson A42B 3/223

* cited by examiner

Primary Examiner — Robert A Delehanty

(74) *Attorney, Agent, or Firm* — The Maxham Firm;
Lawrence A. Maxham

(57) **CLAIM**

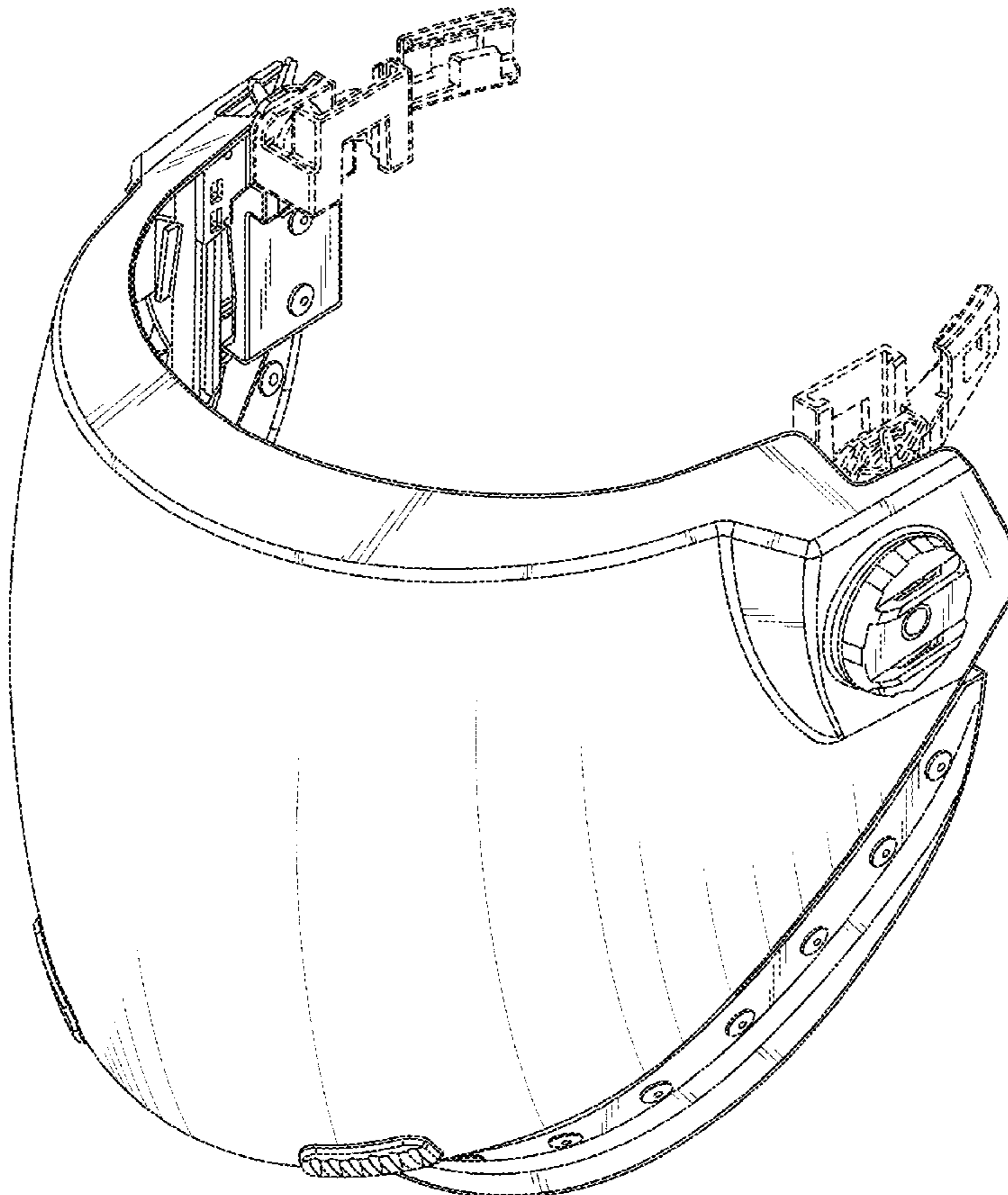
The ornamental design for a lift front hood, as shown and described.

DESCRIPTION

FIG. 1 is a perspective view of the lift front hood according to the invention;
 FIG. 2 is a front view thereof;
 FIG. 3 is a rear view thereof;
 FIG. 4 is a left-side view thereof, the right-side view being a mirror image thereof;
 FIG. 5 is a top view thereof;
 FIG. 6 is a bottom view thereof;
 FIG. 7 is a perspective view thereof, showing a safety helmet in broken lines for context; and,
 FIG. 8 is a left-side view thereof showing the bracket for face shield in retracted or stowed position with respect to a safety helmet.

The broken lines shown in the drawings represent the safety helmet and portions of the connector to the helmet that form no part of the claimed design.

1 Claim, 8 Drawing Sheets



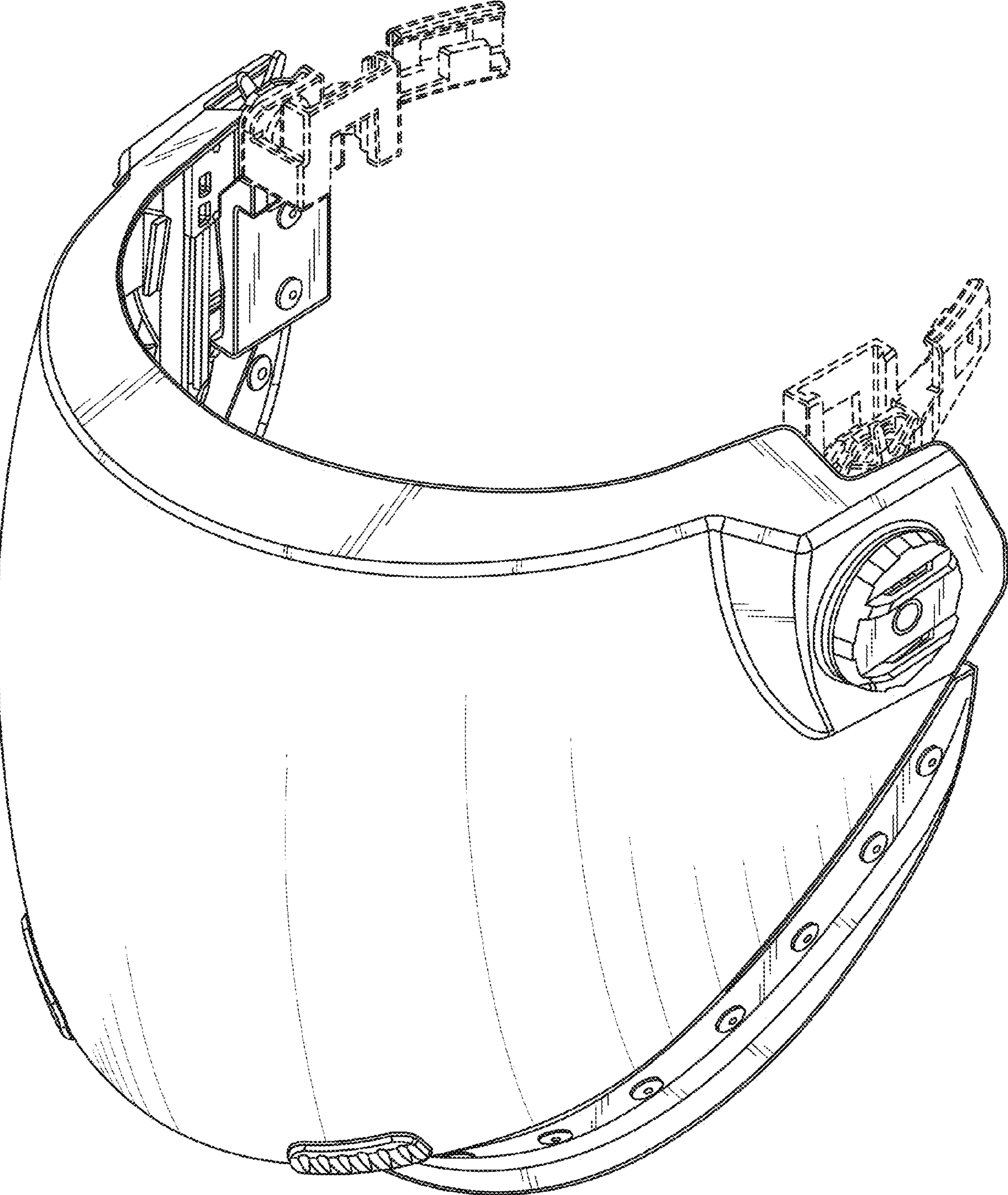


FIG. 1

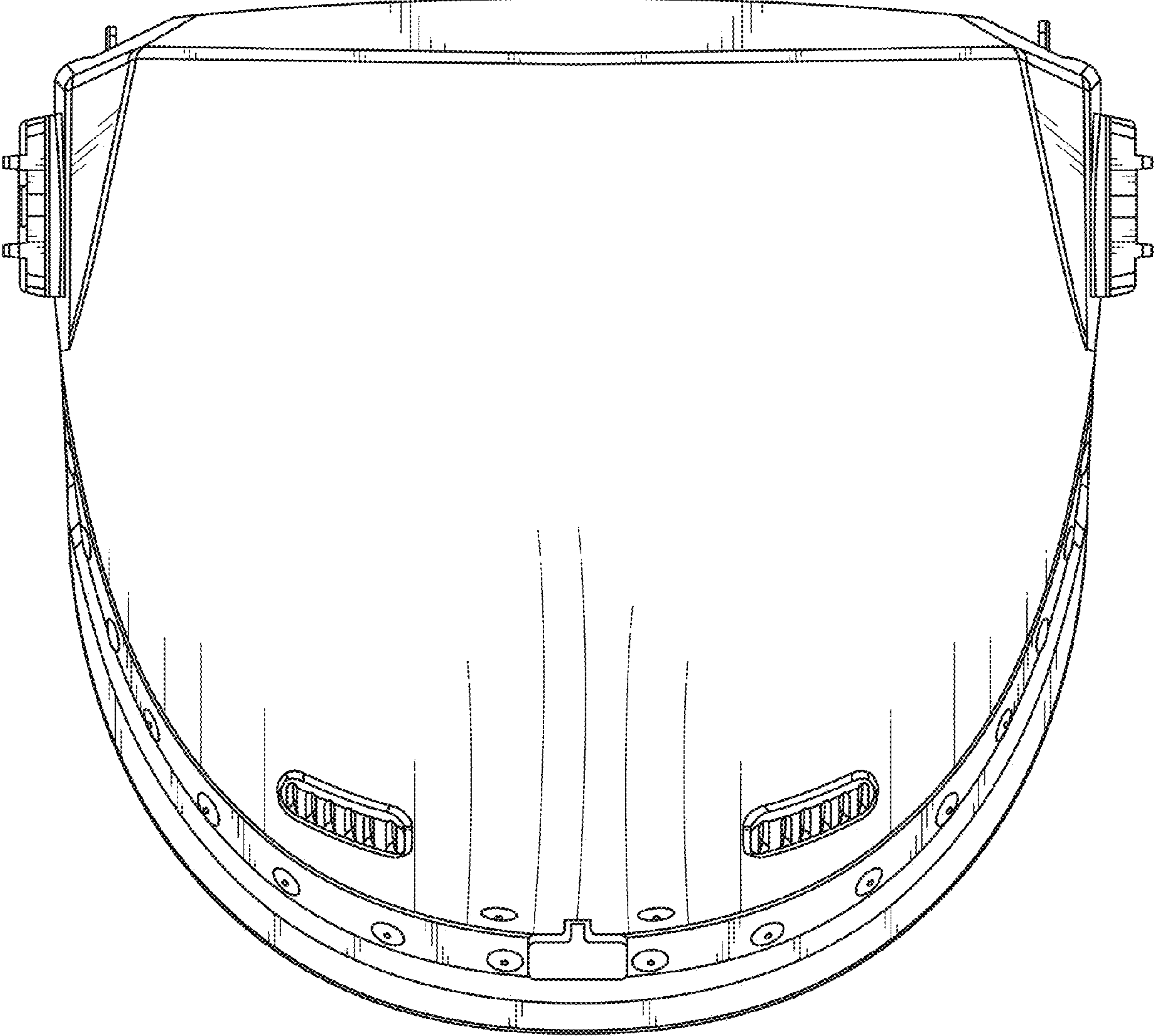


FIG. 2

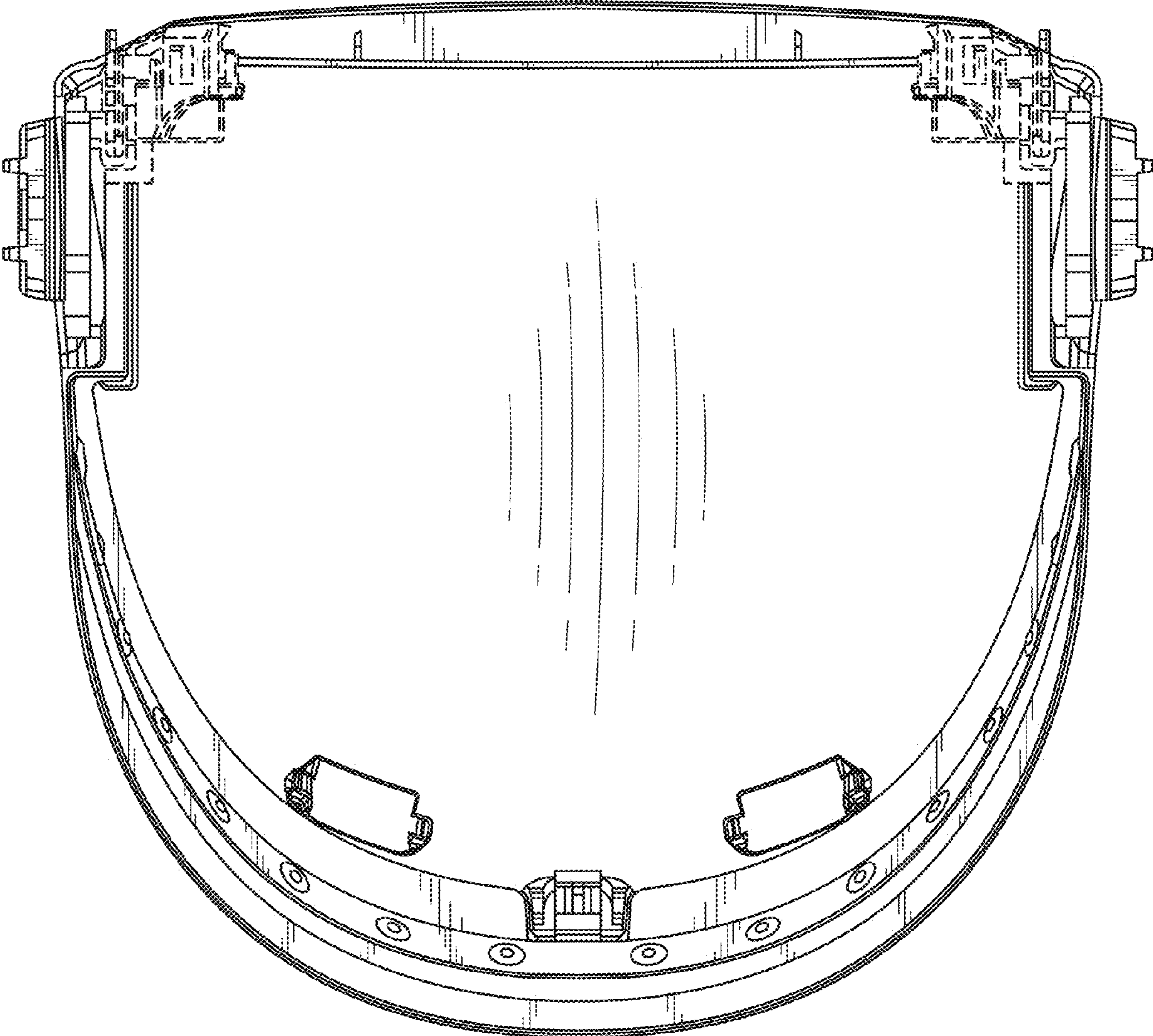


FIG. 3

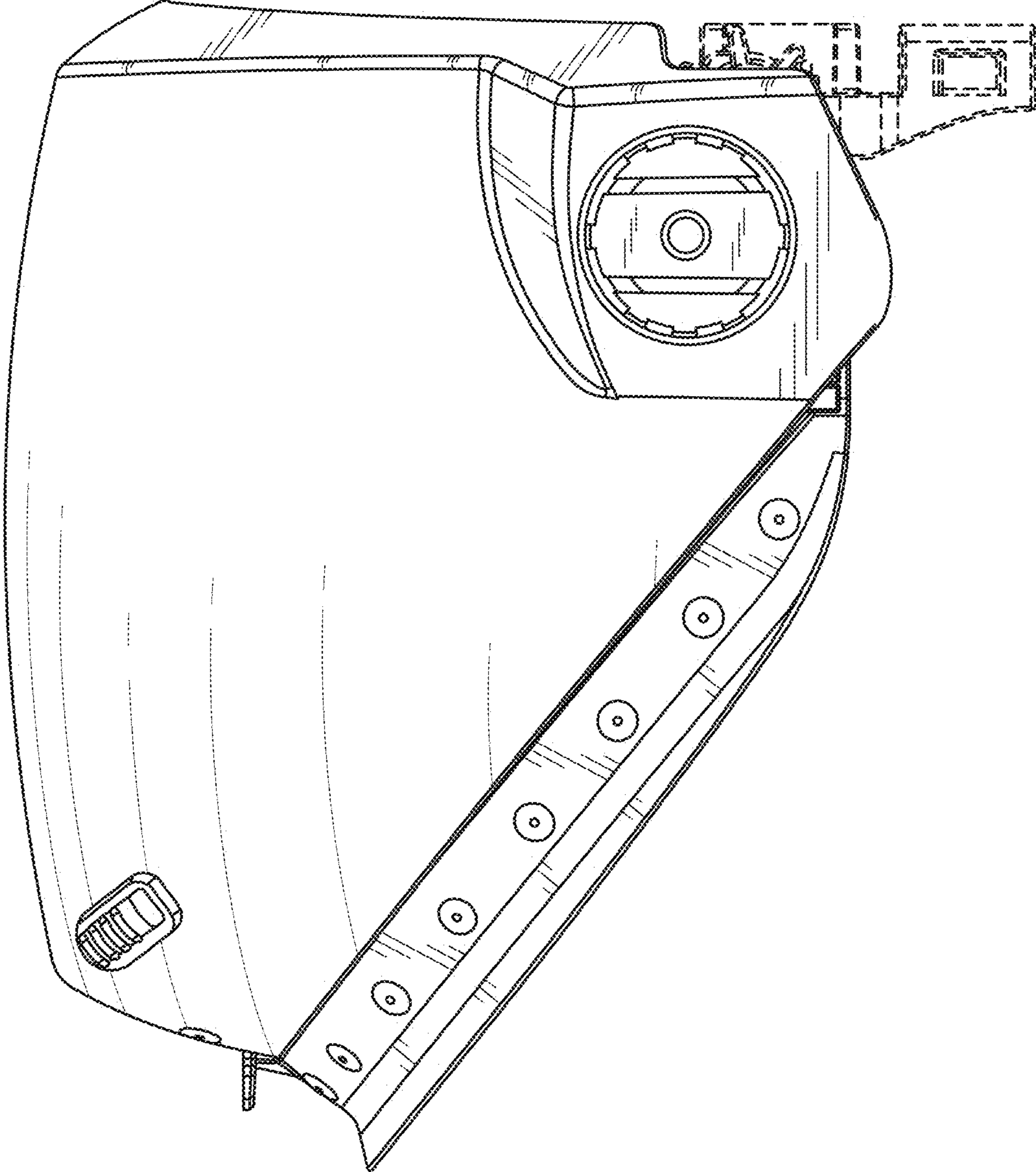


FIG. 4

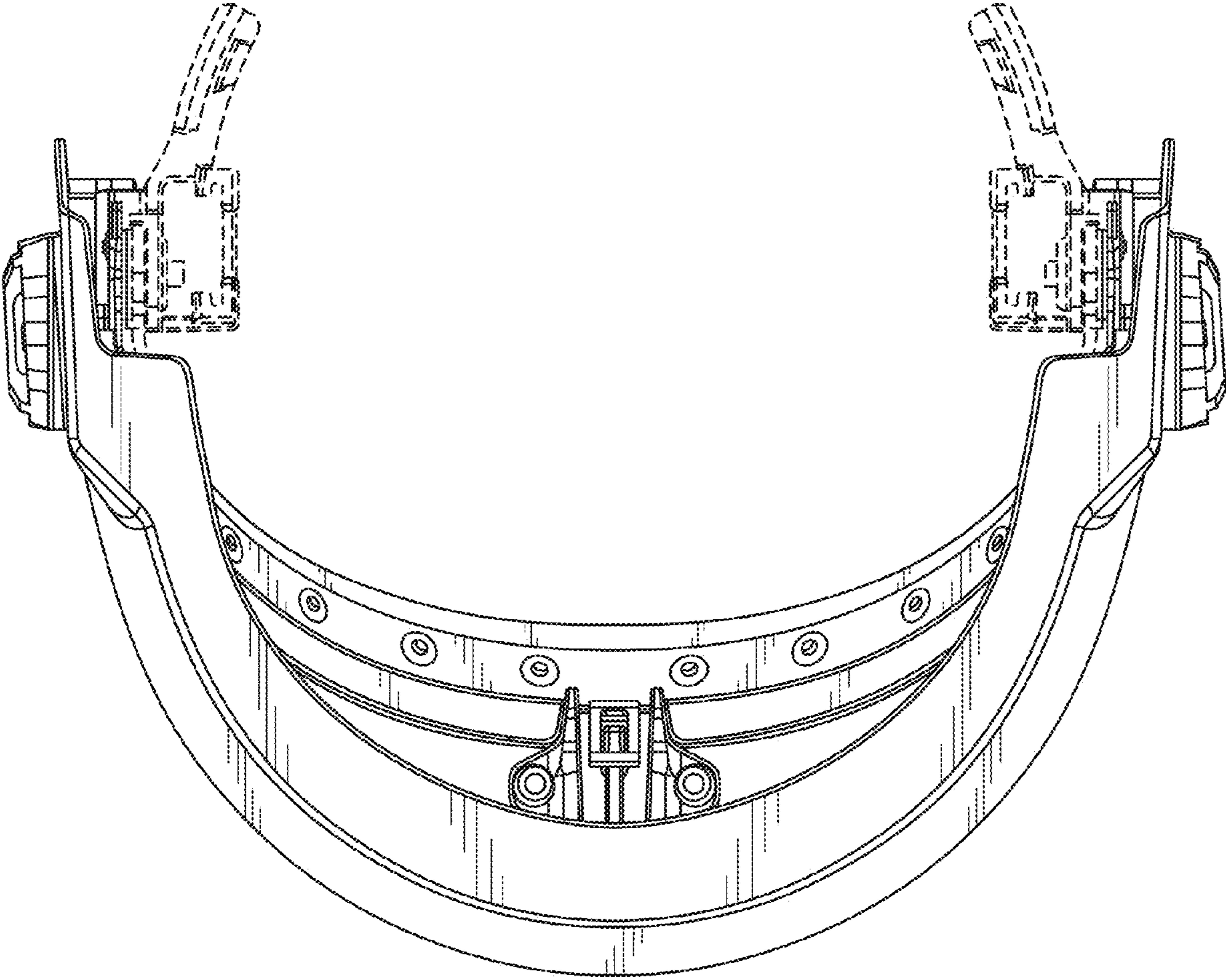


FIG. 5

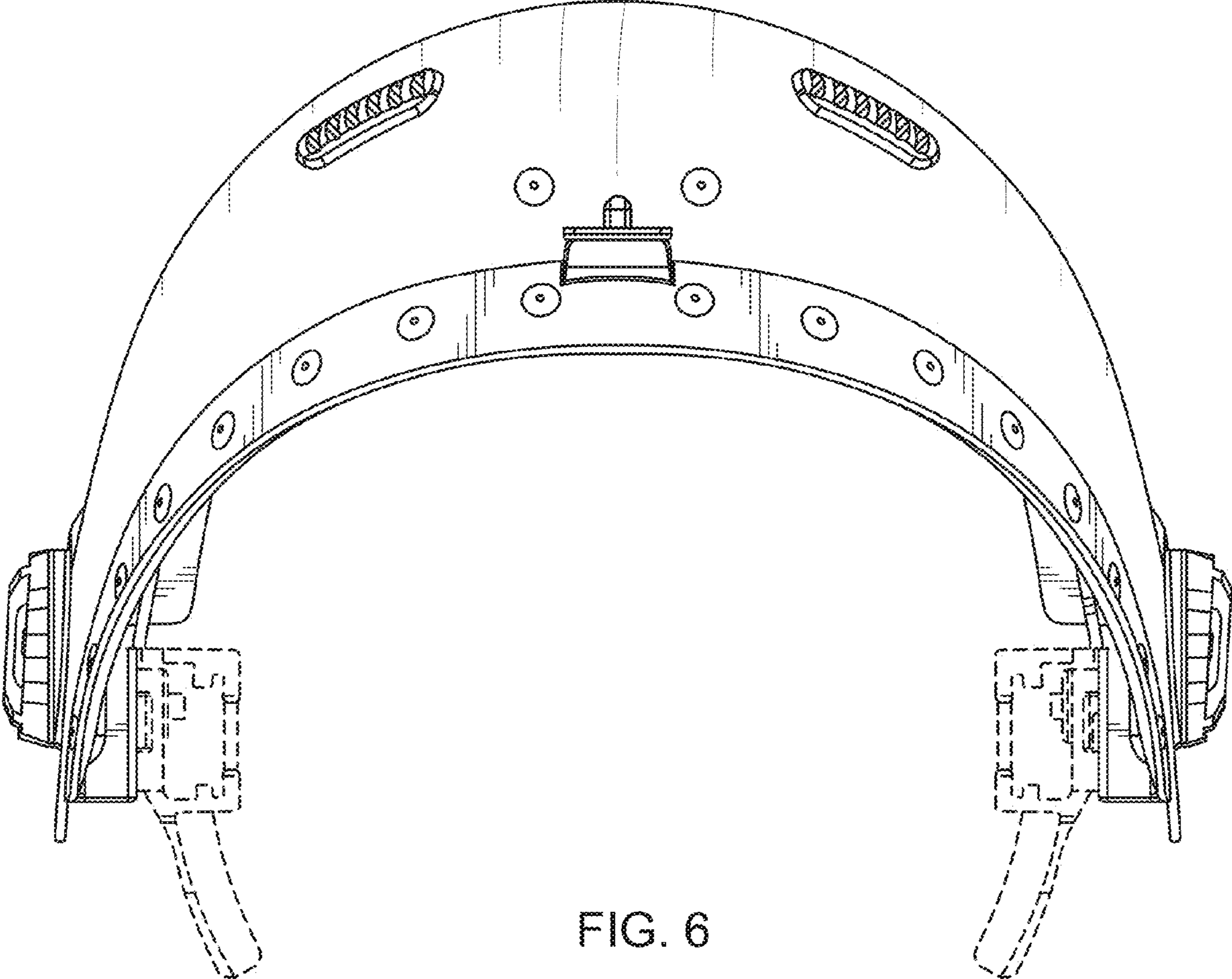


FIG. 6

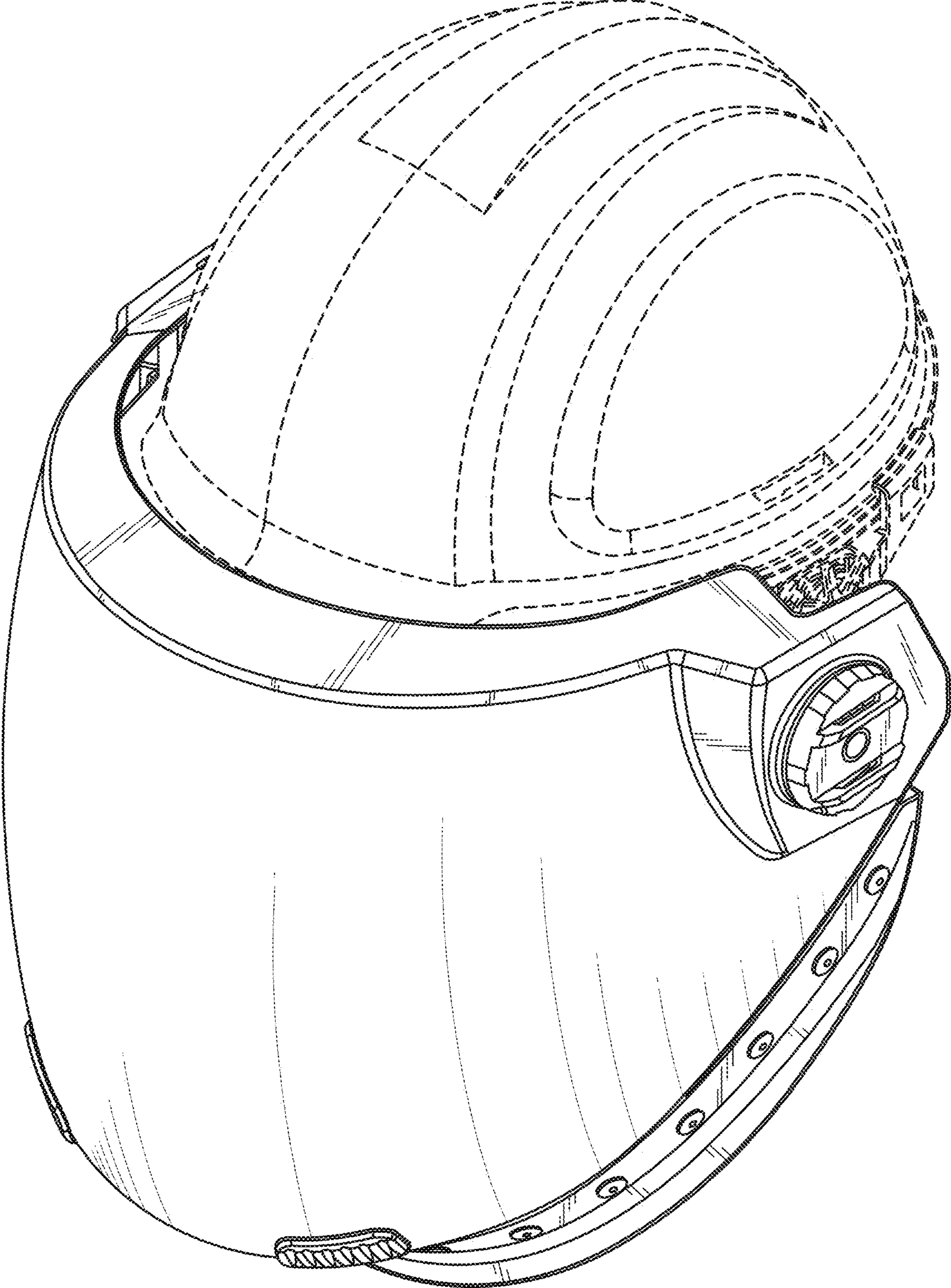


FIG. 7

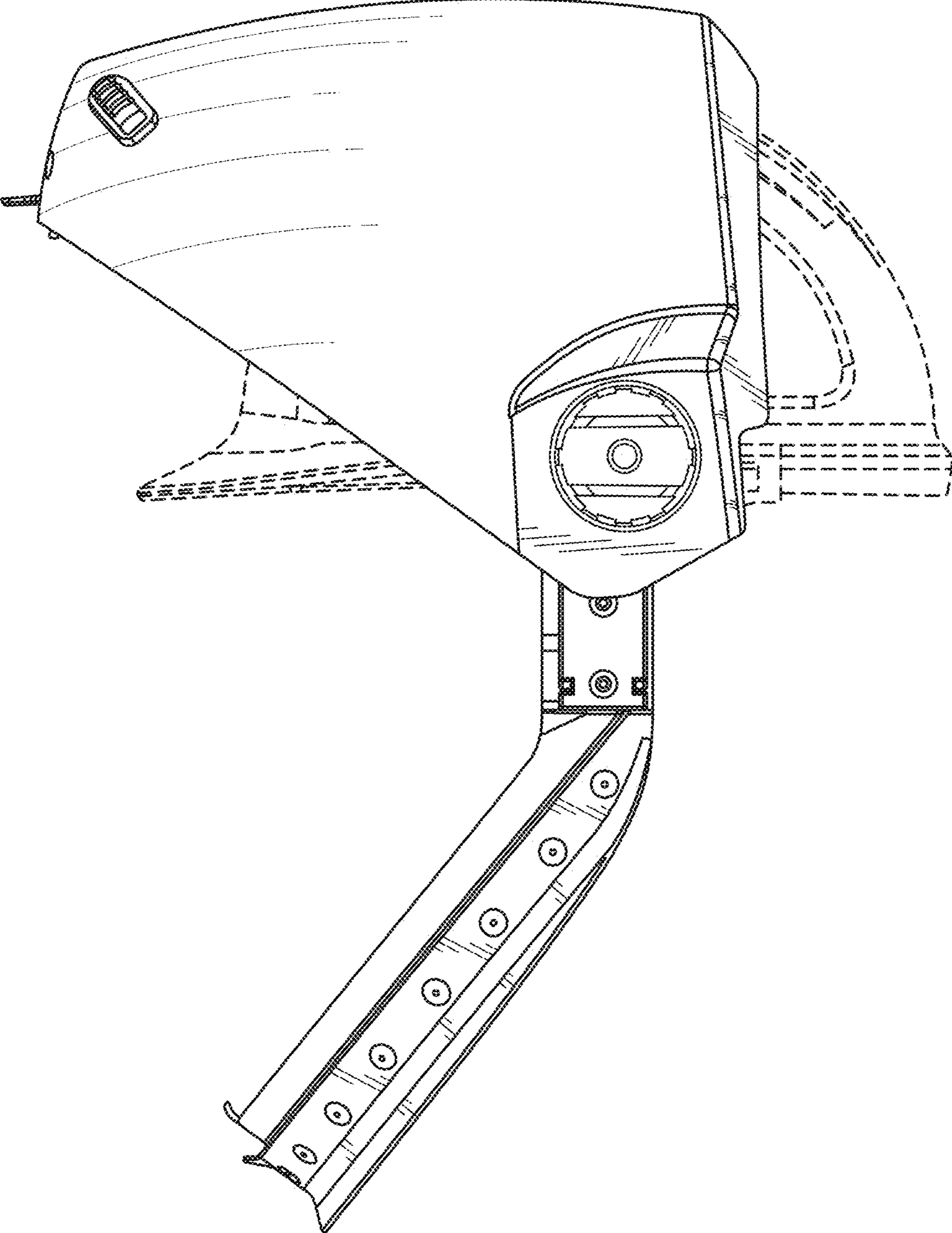


FIG. 8