



US00D975358S

(12) **United States Design Patent** (10) **Patent No.:** **US D975,358 S**  
**Zhou** (45) **Date of Patent:** **\*\* Jan. 10, 2023**

(54) **LASER HAIR REMOVAL DEVICE**  
(71) Applicant: **Shenzhen Chuangtong Xinke Technology Co., Ltd., Shenzhen (CN)**  
(72) Inventor: **Xilong Zhou, Shenzhen (CN)**  
(73) Assignee: **Shenzhen Chuangtong Xinke Technology Co., Ltd., Shenzhen (CN)**

D895,897 S \* 9/2020 Huang ..... D28/44.1  
D901,774 S \* 11/2020 Liu ..... D24/209  
D904,634 S \* 12/2020 Sedic ..... D24/209  
D908,957 S \* 1/2021 Huang ..... D24/209  
D930,845 S \* 9/2021 Schmidt ..... D24/206  
D939,769 S \* 12/2021 Yao ..... D24/209  
D943,104 S \* 2/2022 Dijkstra ..... D24/209  
D945,062 S \* 3/2022 Zhou ..... D24/209  
D946,826 S \* 3/2022 Gong ..... D24/209

(\*\*) Term: **15 Years**  
(21) Appl. No.: **29/836,111**

**FOREIGN PATENT DOCUMENTS**

EP 3922202 A1 \* 12/2021 ..... A61B 18/203  
WO WO-2015098427 A1 \* 7/2015 ..... A45D 26/00

(22) Filed: **Apr. 25, 2022**  
(51) **LOC (14) Cl.** ..... **28-03**  
(52) **U.S. Cl.**  
USPC ..... **D28/44.1; D24/209; D24/214**  
(58) **Field of Classification Search**  
USPC ..... D24/209, 214, 133, 147; D28/44, 44.1  
CPC ..... A45D 2026/0095; A45D 26/00; A45D 26/0004-0009; A45D 26/0057; A45D 26/0071; A61B 2018/0047  
See application file for complete search history.

**OTHER PUBLICATIONS**

IPL Hair Removal by Aopvui, www.amazon.com, reviewed as early as Apr. 21, 2022, 1 page (Year: 2022).\*

\* cited by examiner

*Primary Examiner* — Jennifer Rivard  
(74) *Attorney, Agent, or Firm* — Nitin Kaushik

(56) **References Cited**

(57) **CLAIM**

The ornamental design for a laser hair removal device, as shown and described.

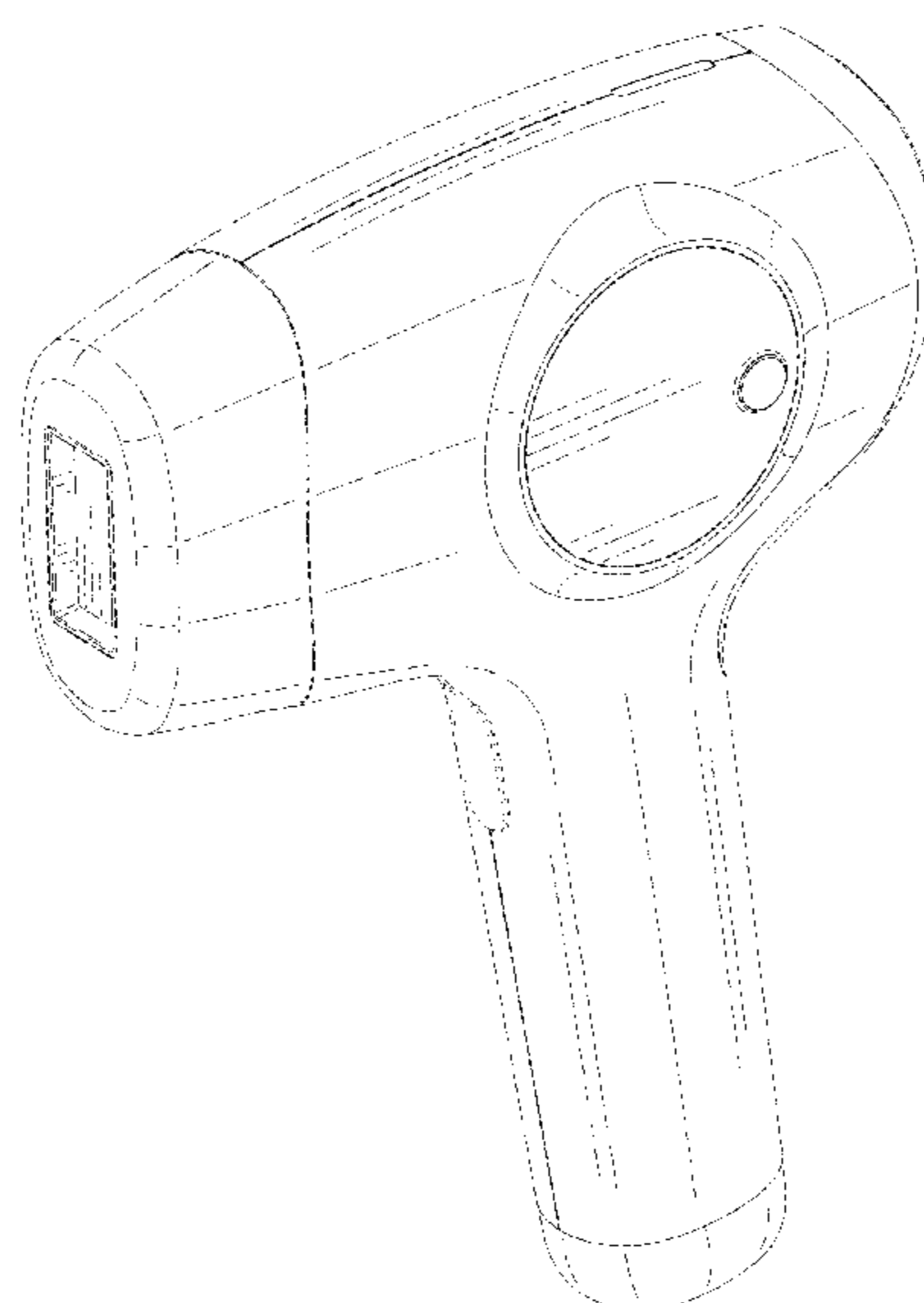
**U.S. PATENT DOCUMENTS**

**DESCRIPTION**

D535,746 S \* 1/2007 Grove ..... D28/44.1  
D589,650 S \* 3/2009 Adriaenssen ..... D24/133  
D653,811 S \* 2/2012 BenZion ..... D24/133  
D706,980 S \* 6/2014 Tasar ..... D28/44.1  
D808,076 S \* 1/2018 Gabriele ..... D28/44.1  
D827,929 S \* 9/2018 Mathieu ..... D28/44  
D843,656 S \* 3/2019 Zhang ..... D24/209  
D844,896 S \* 4/2019 Levi ..... D28/44.1  
D863,571 S \* 10/2019 Yang ..... D24/200  
D863,578 S \* 10/2019 Yan ..... D28/44.1  
D864,405 S \* 10/2019 Yan ..... D24/209  
D865,288 S \* 10/2019 Huang ..... D28/44.1  
D865,289 S \* 10/2019 Huang ..... D28/44.1  
D884,703 S \* 5/2020 Silver ..... D14/426  
D895,206 S \* 9/2020 Huang ..... D28/44.1  
D895,207 S \* 9/2020 Huang ..... D24/209

FIG. 1 is a front, top and left side perspective view of a laser hair removal device, showing my new design;  
FIG. 2 is a front view thereof;  
FIG. 3 is a rear view thereof;  
FIG. 4 is a left side view thereof;  
FIG. 5 is a right side view thereof;  
FIG. 6 is a top view thereof; and,  
FIG. 7 is a bottom view thereof.  
The broken lines in the drawings illustrate the portions of the laser hair removal device, which form no part of the claimed design.

**1 Claim, 7 Drawing Sheets**



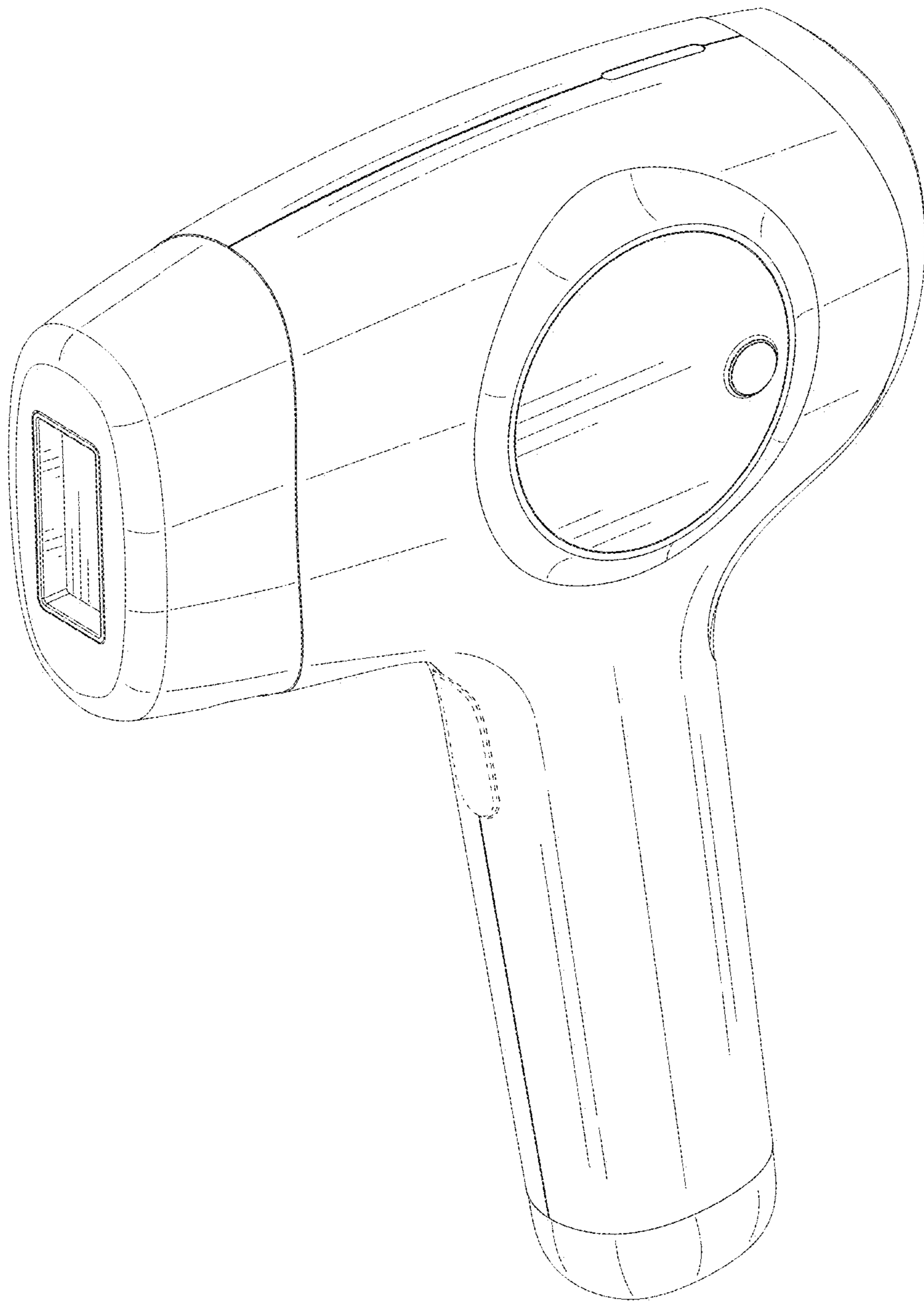


FIG. 1

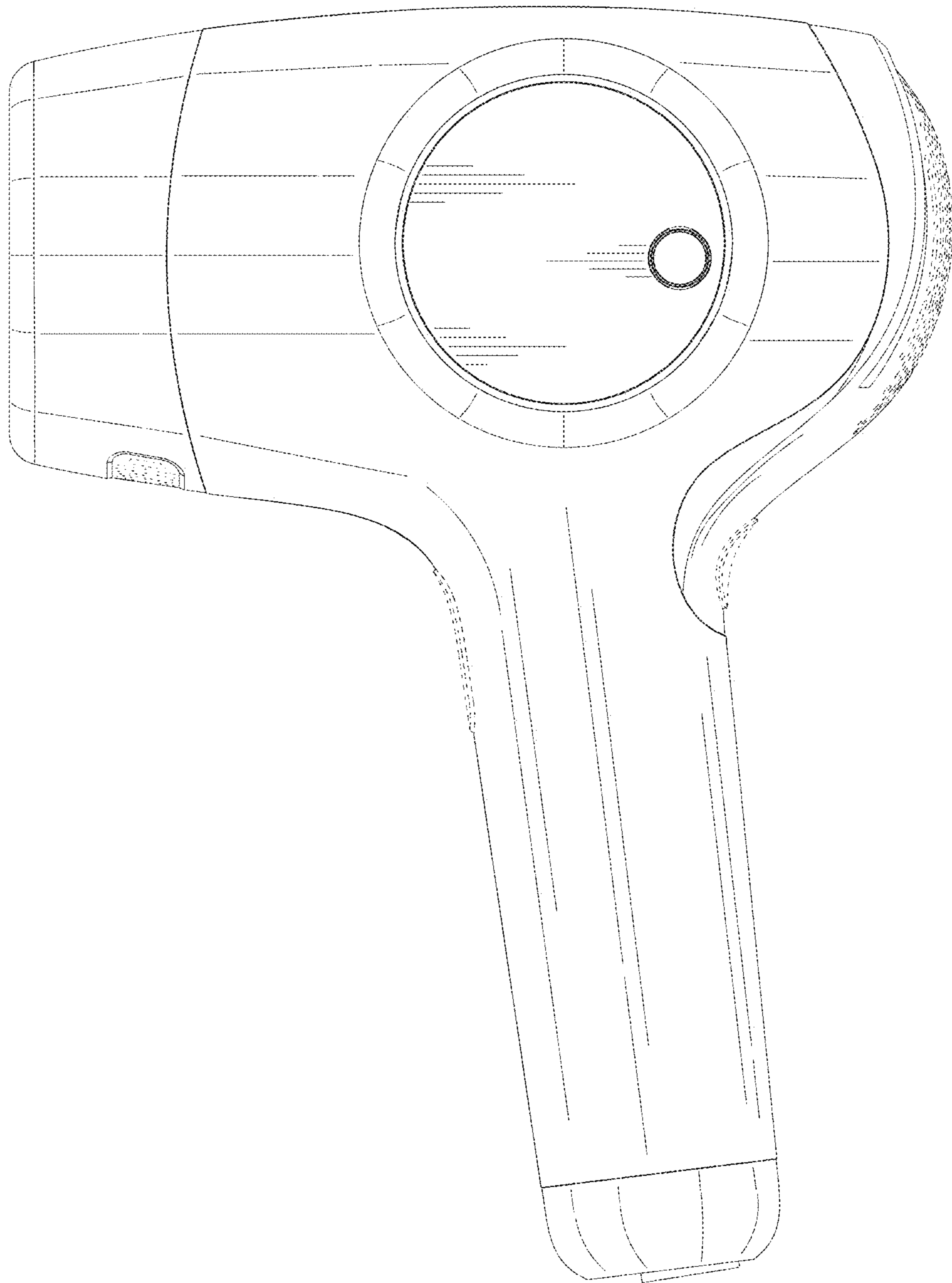


FIG. 2

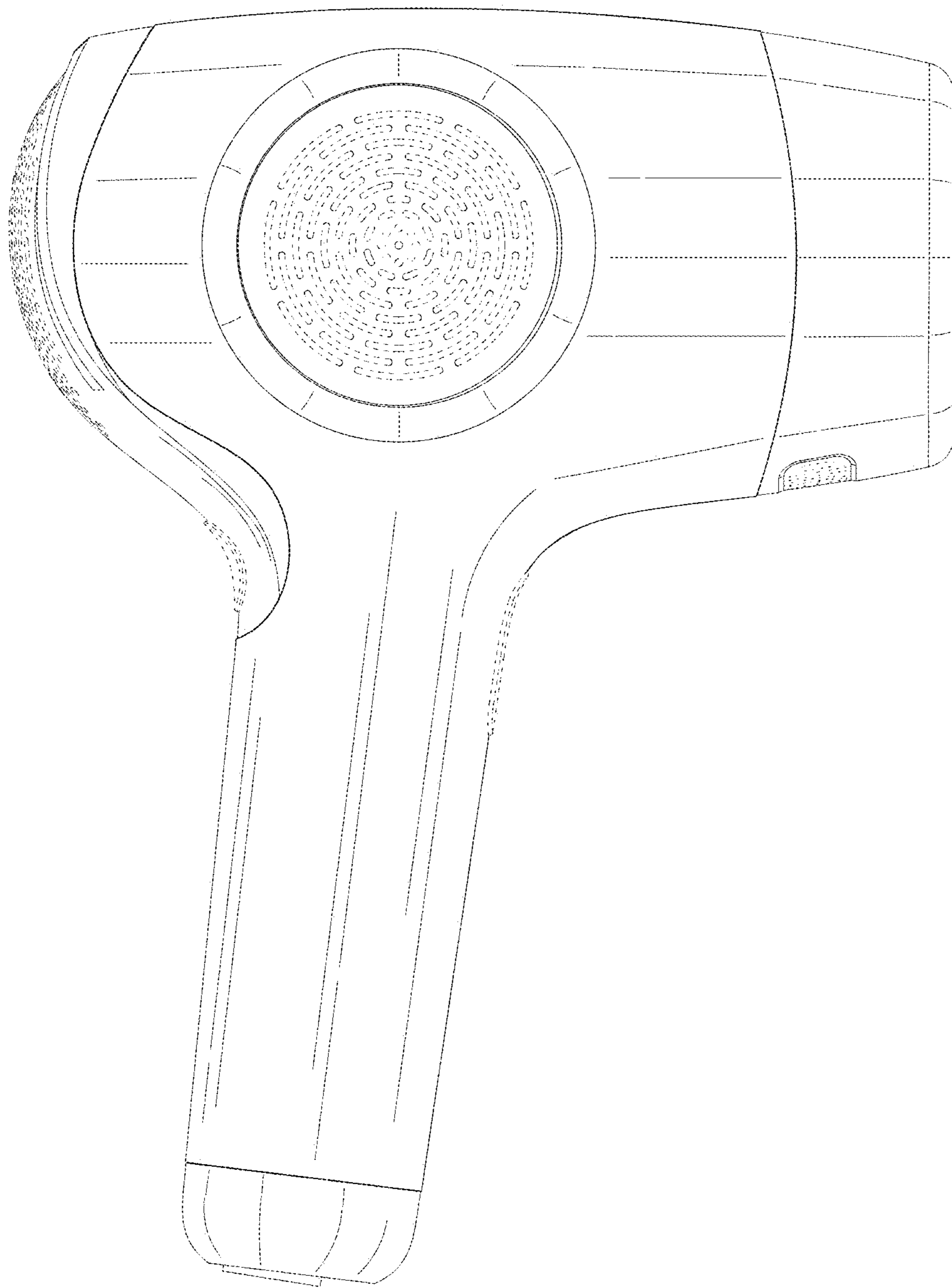


FIG. 3

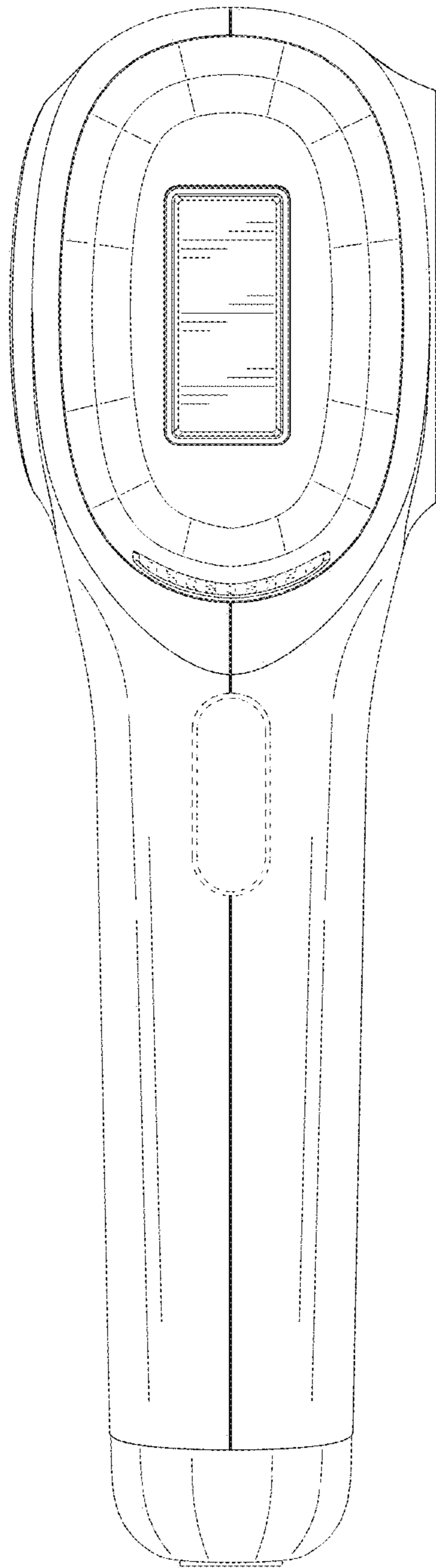


FIG. 4

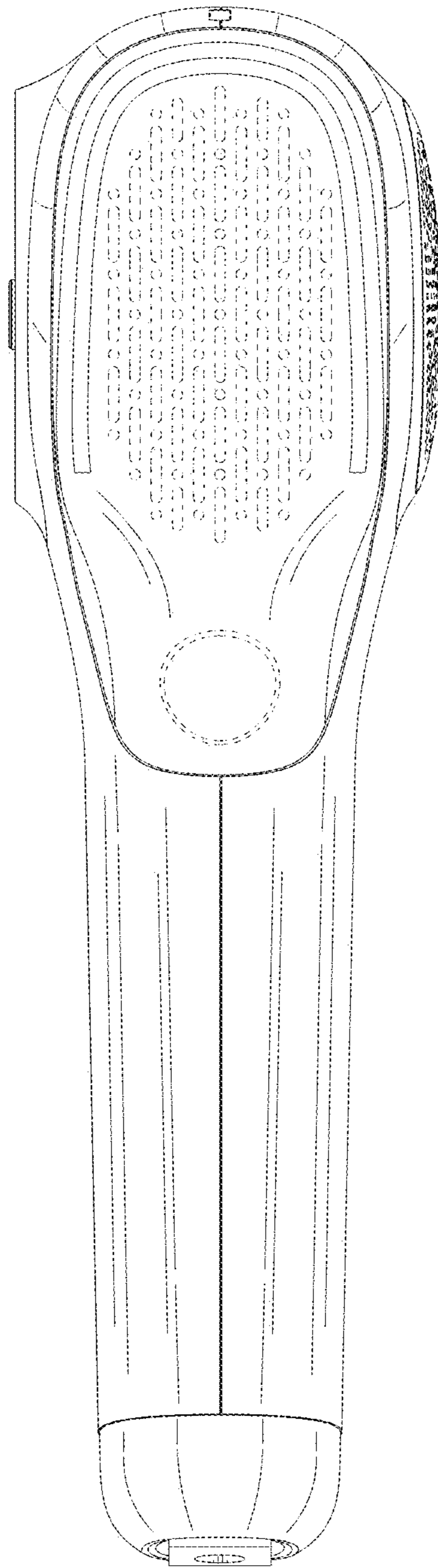


FIG. 5

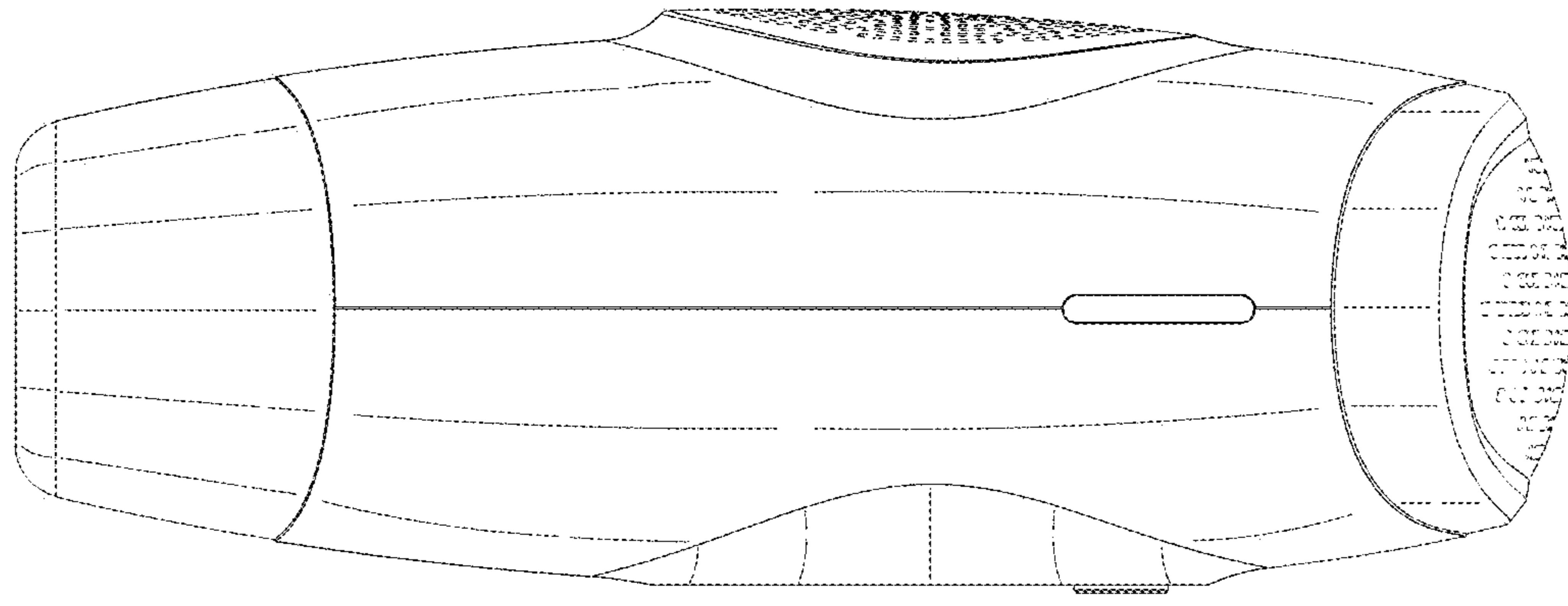


FIG. 6

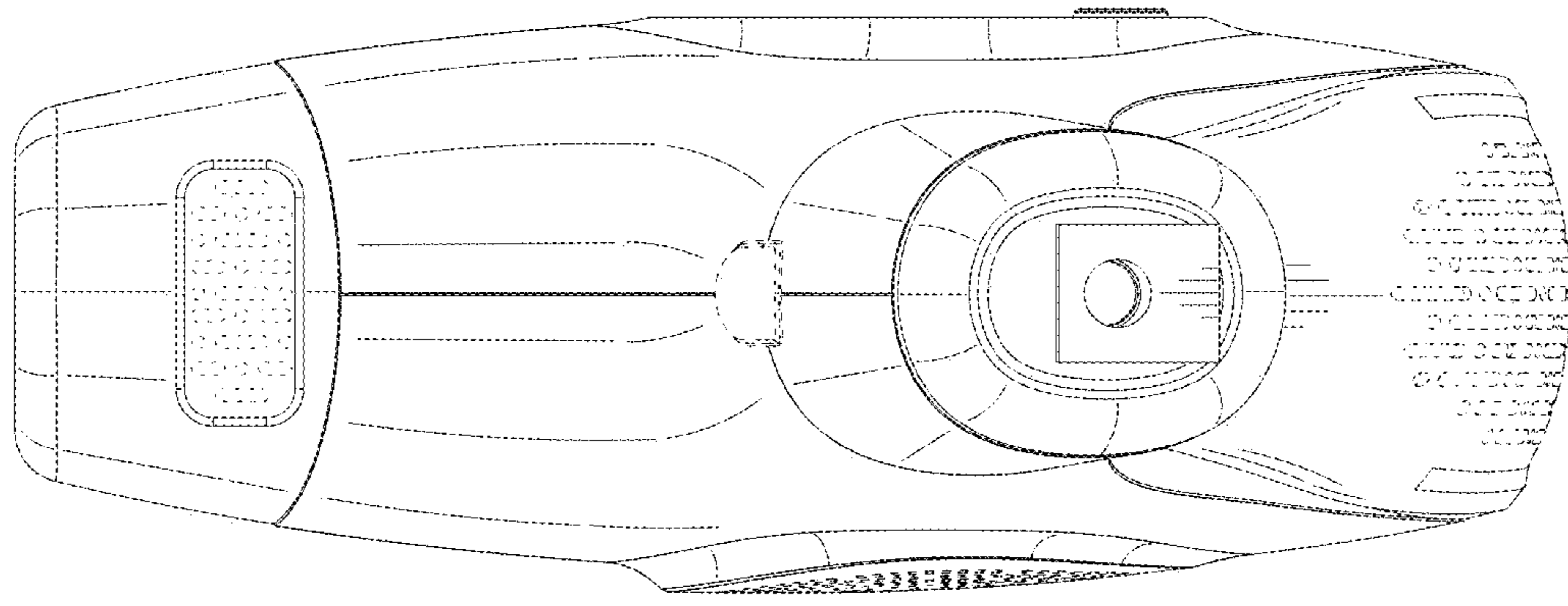


FIG. 7