

US00D975355S

(12) **United States Design Patent**
Wang

(10) **Patent No.:** **US D975,355 S**

(45) **Date of Patent:** **** Jan. 10, 2023**

(54) **HAIR CLIP**

(71) Applicant: **Cuixiang Wang**, Shenzhen (CN)

(72) Inventor: **Cuixiang Wang**, Shenzhen (CN)

(**) Term: **15 Years**

(21) Appl. No.: **29/851,417**

(22) Filed: **Aug. 29, 2022**

(51) **LOC (14) Cl.** **28-03**

(52) **U.S. Cl.**
USPC **D28/40**

(58) **Field of Classification Search**
USPC D28/39, 40, 42, 43
CPC . A45D 8/00; A45D 8/002; A45D 8/14; A45D
8/16; A45D 8/18; A45D 8/20; A45D
8/22; A45D 8/24; A45D 8/30
See application file for complete search history.

(56) **References Cited**

U.S. PATENT DOCUMENTS

D403,109 S	*	12/1998	Potut	D28/40
D434,526 S	*	11/2000	Weaver	D28/40
D536,132 S	*	1/2007	Vergona	D28/40
D583,991 S	*	12/2008	Pichon	D28/39

D635,715 S	*	4/2011	Hsu	D28/40
D898,996 S	*	10/2020	Kaminsky	D28/40
D918,473 S	*	5/2021	Xiao	D28/40
D923,245 S	*	6/2021	Liu	D28/40
D923,246 S	*	6/2021	Triulzi	D28/40
D952,944 S		5/2022	Pavlick		
D964,648 S	*	9/2022	Sun	D28/40
D964,649 S	*	9/2022	Wu	D28/40

* cited by examiner

Primary Examiner — Zenia I Bennett

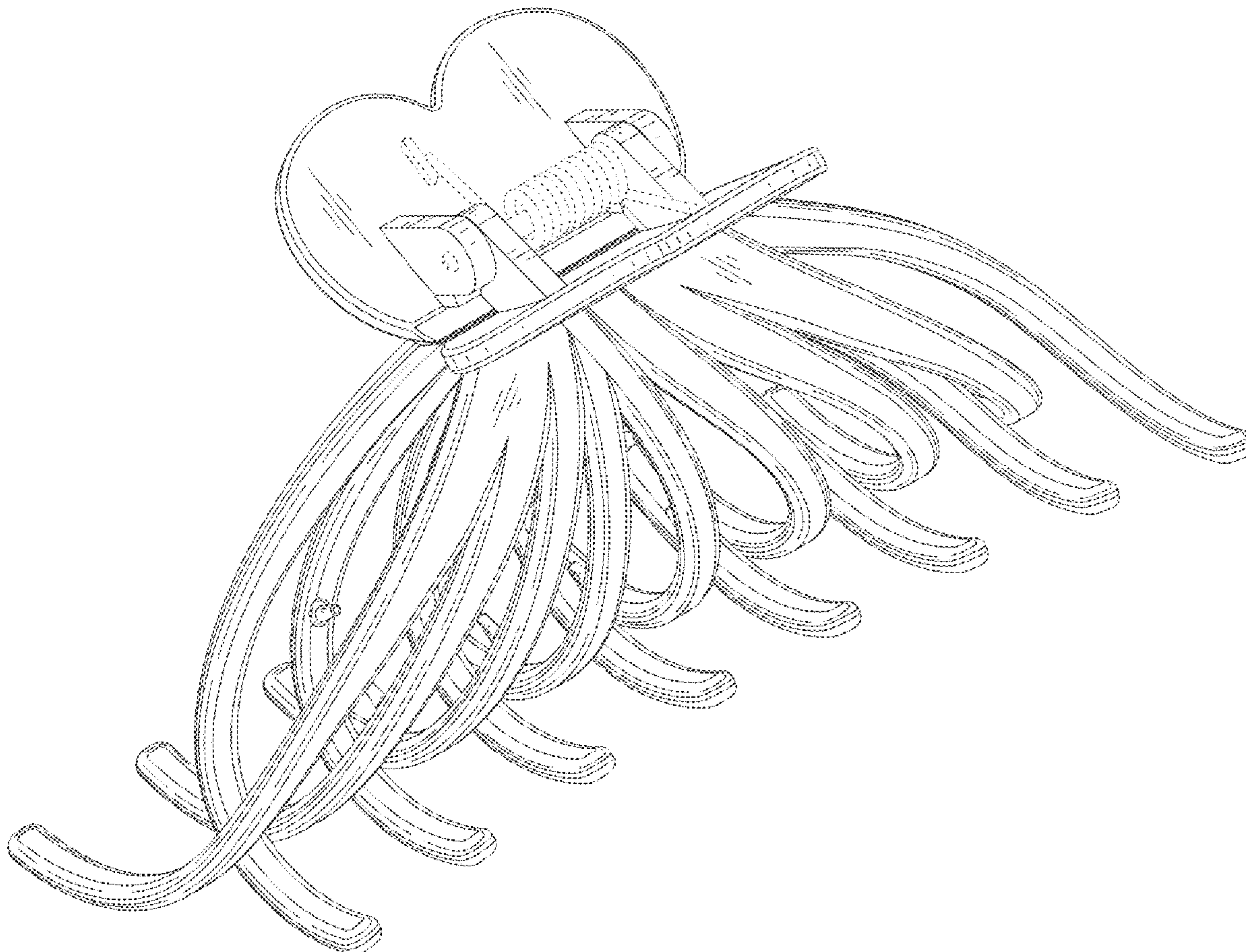
(57) **CLAIM**

The ornamental design for a hair clip, as shown and described.

DESCRIPTION

FIG. 1 is a front and top perspective view of a hair clip, showing my new design;
FIG. 2 is a rear and bottom perspective view thereof;
FIG. 3 is a front elevation view thereof;
FIG. 4 is a rear elevation view thereof;
FIG. 5 is a left side elevation view thereof;
FIG. 6 is a right side elevation view thereof;
FIG. 7 is a top plan view thereof; and,
FIG. 8 is a bottom plan view thereof.
The broken lines in the figures illustrate portions of the hair clip that form no part of the claimed design.

1 Claim, 8 Drawing Sheets



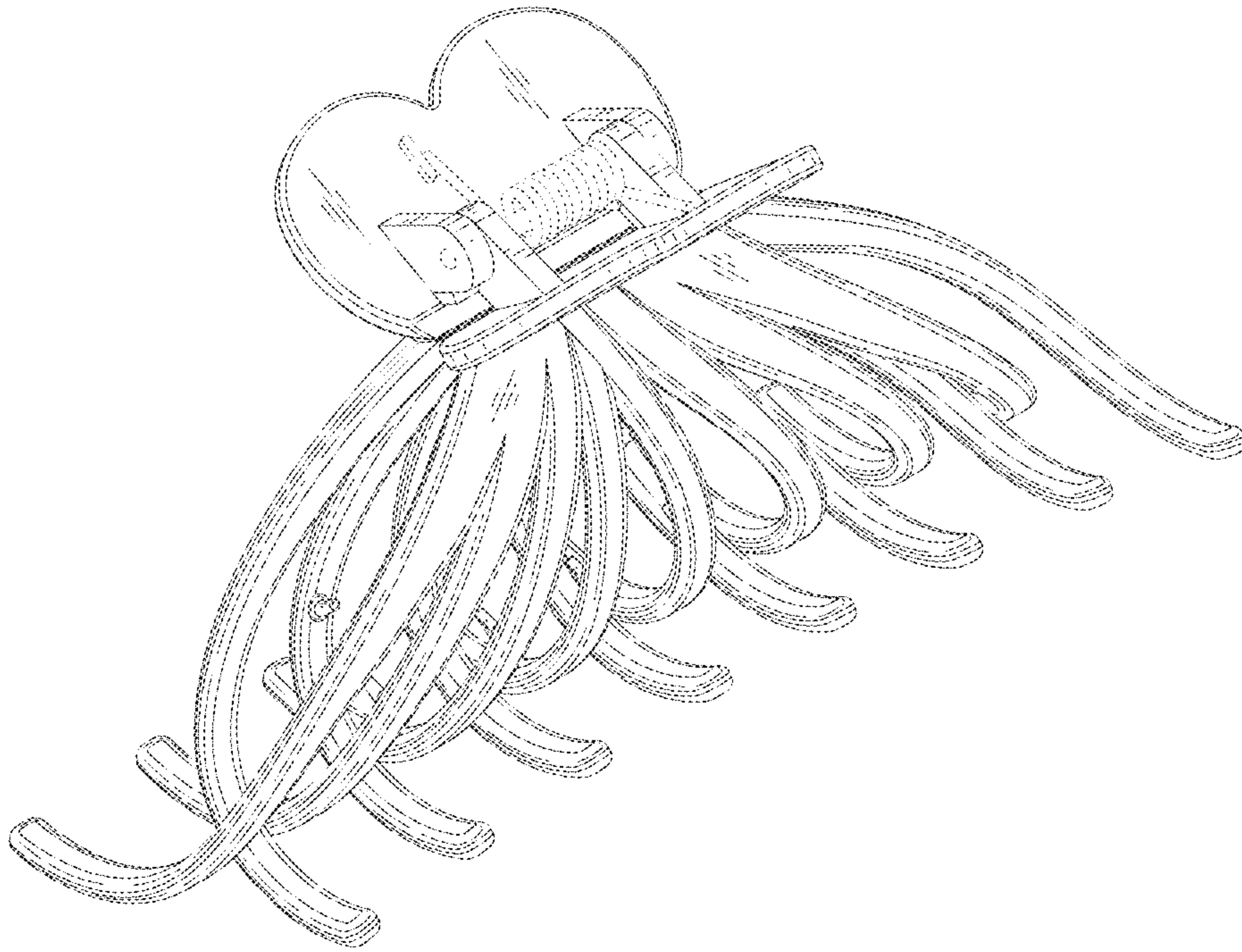


FIG. 1

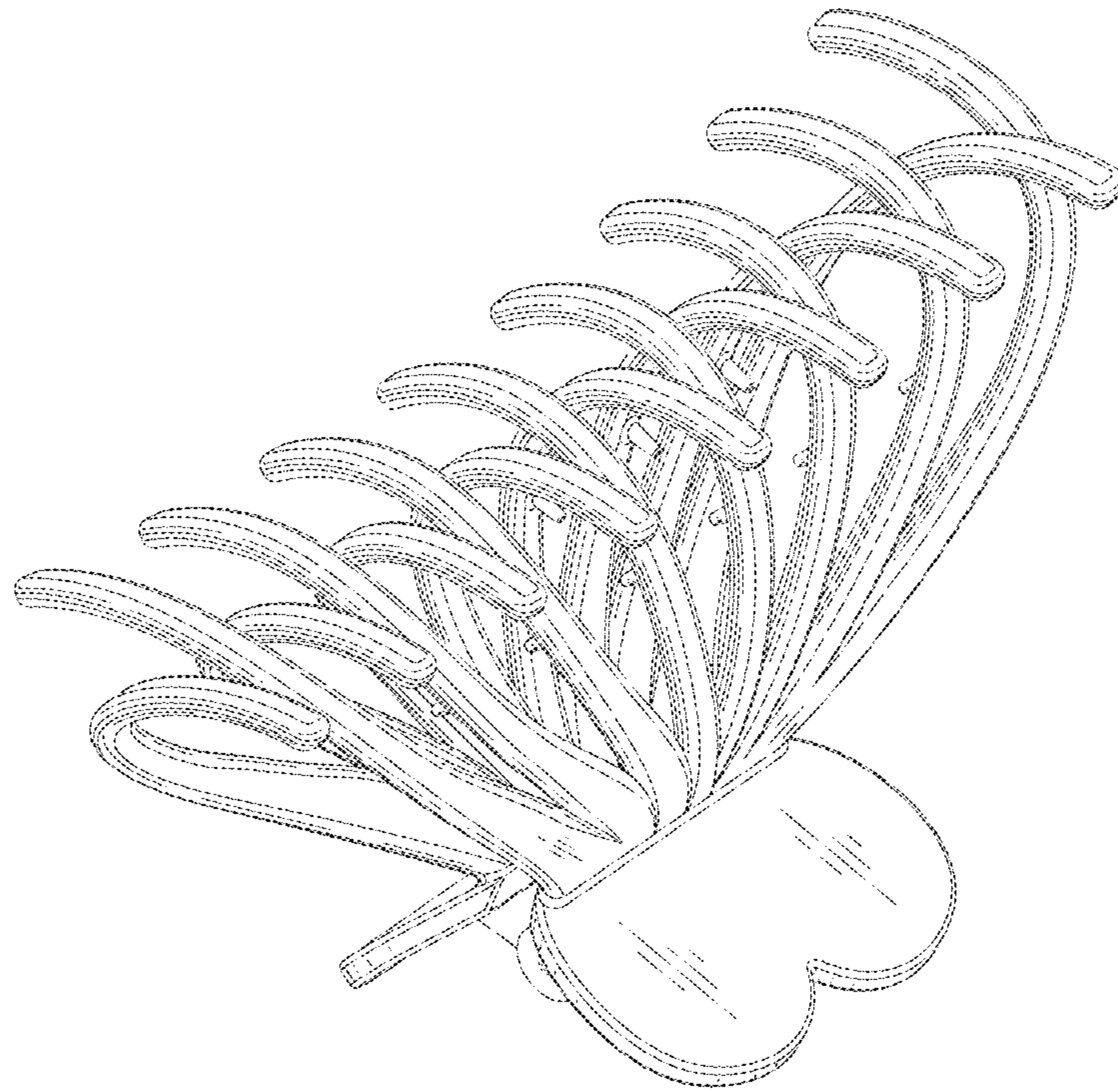


FIG. 2

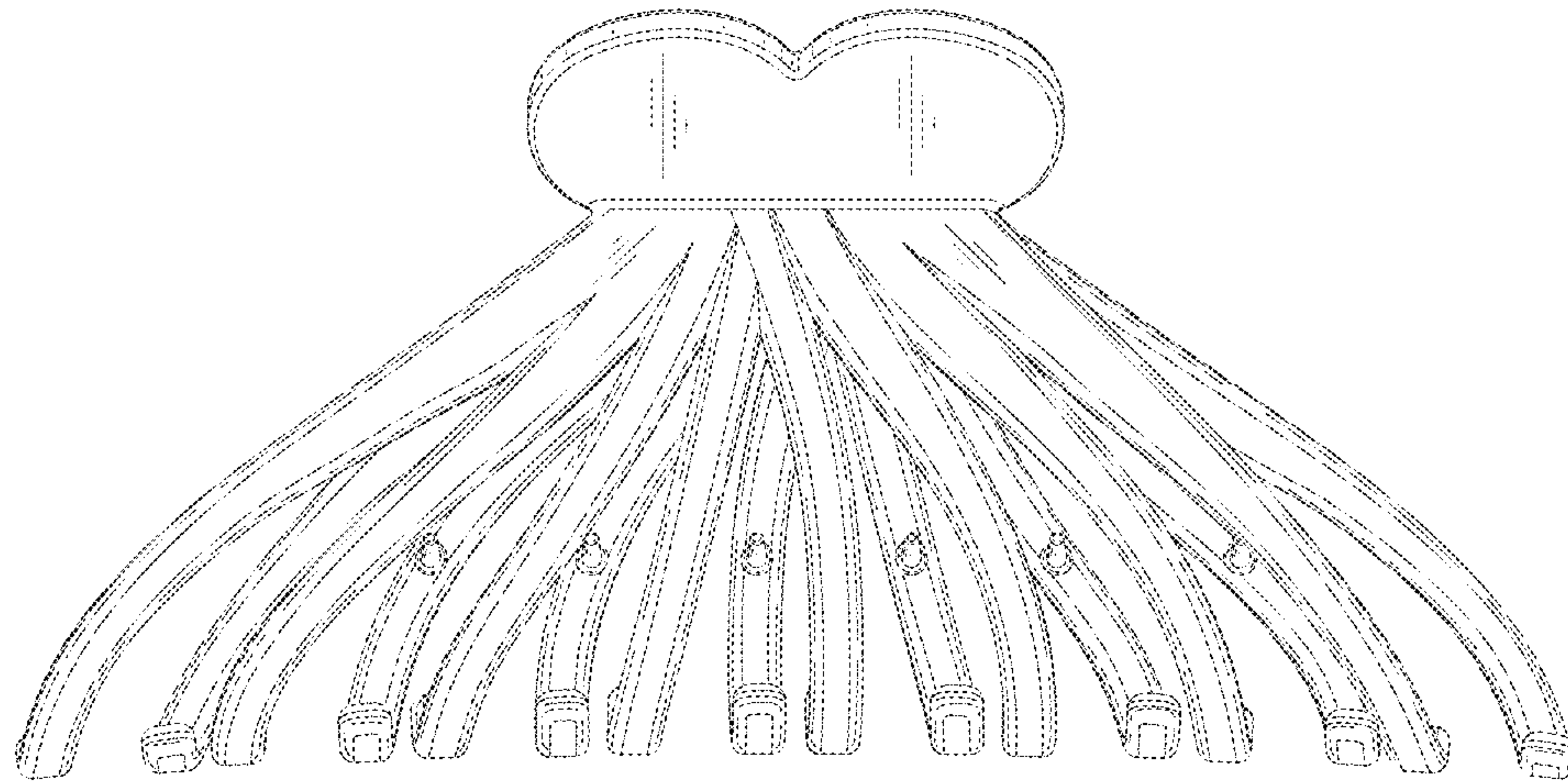


FIG. 3

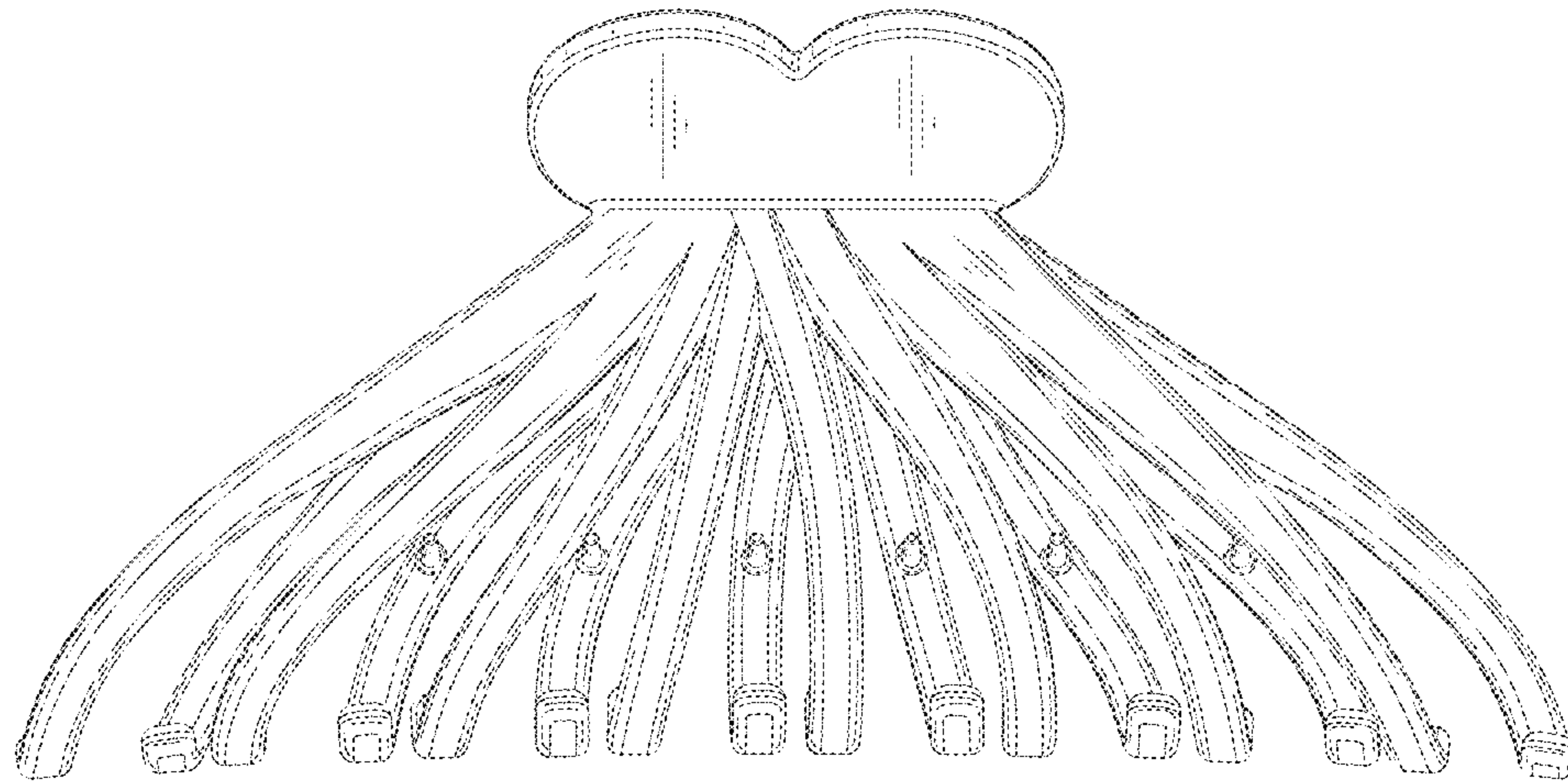


FIG. 4

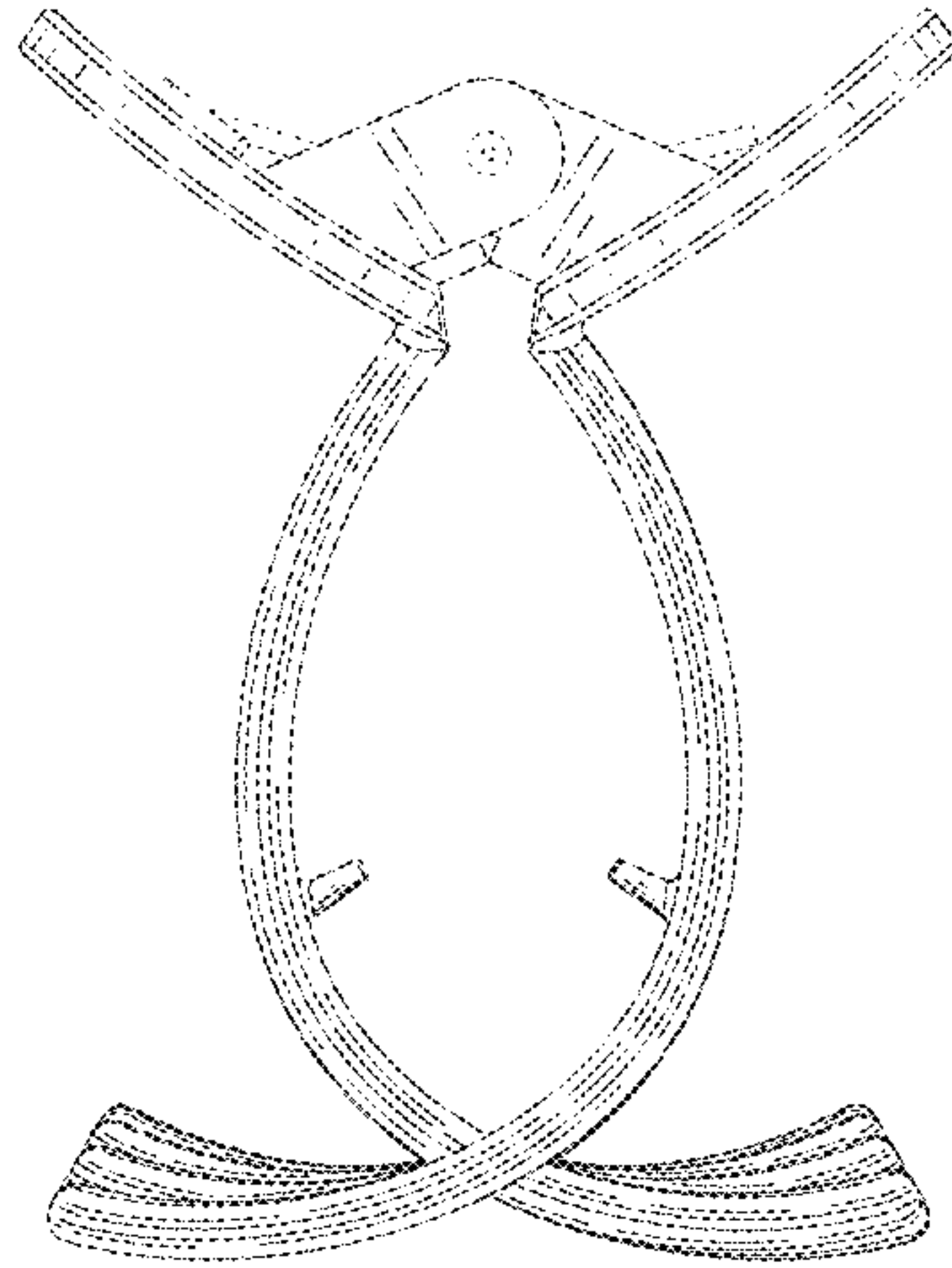


FIG. 5

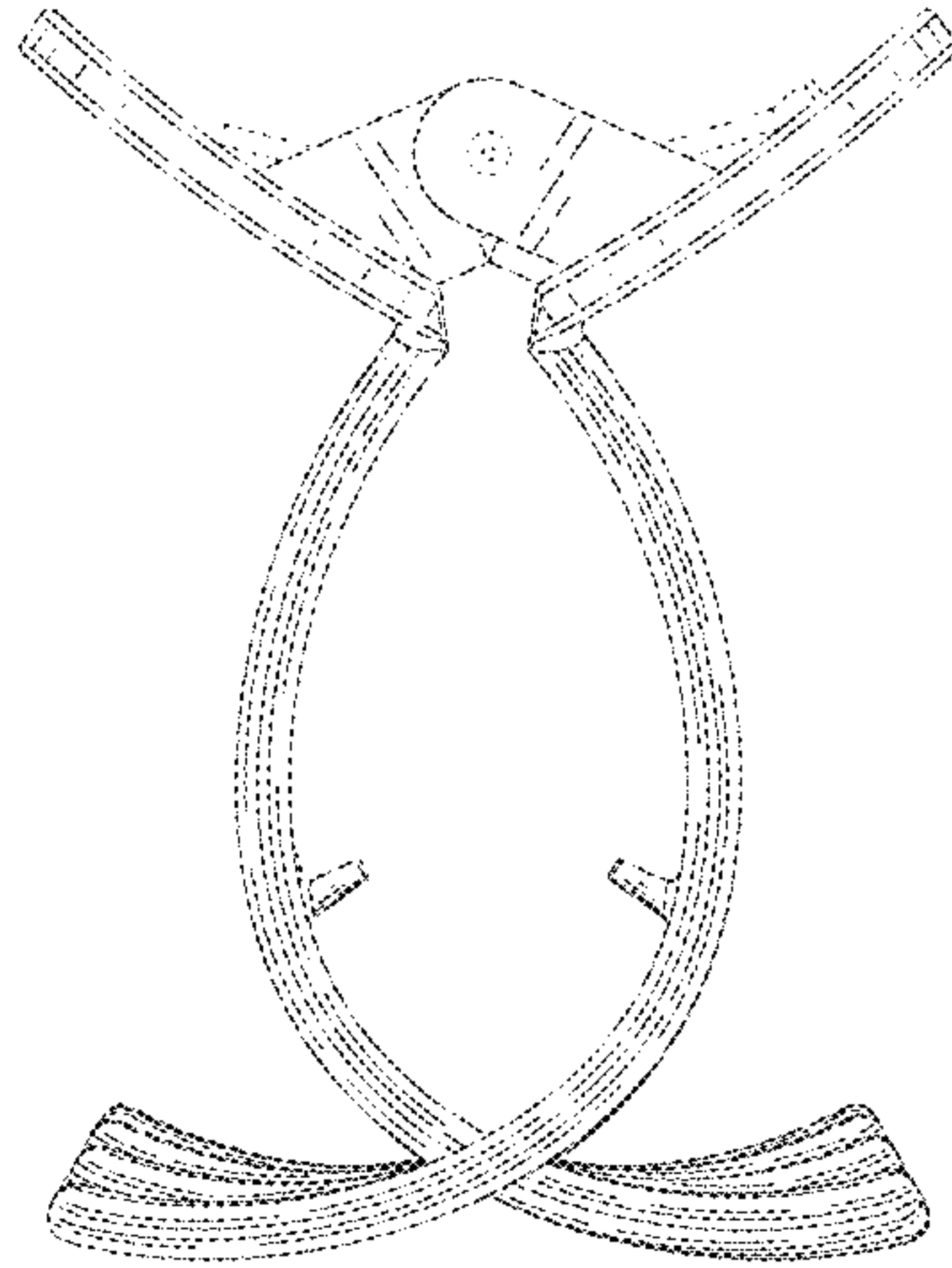


FIG. 6

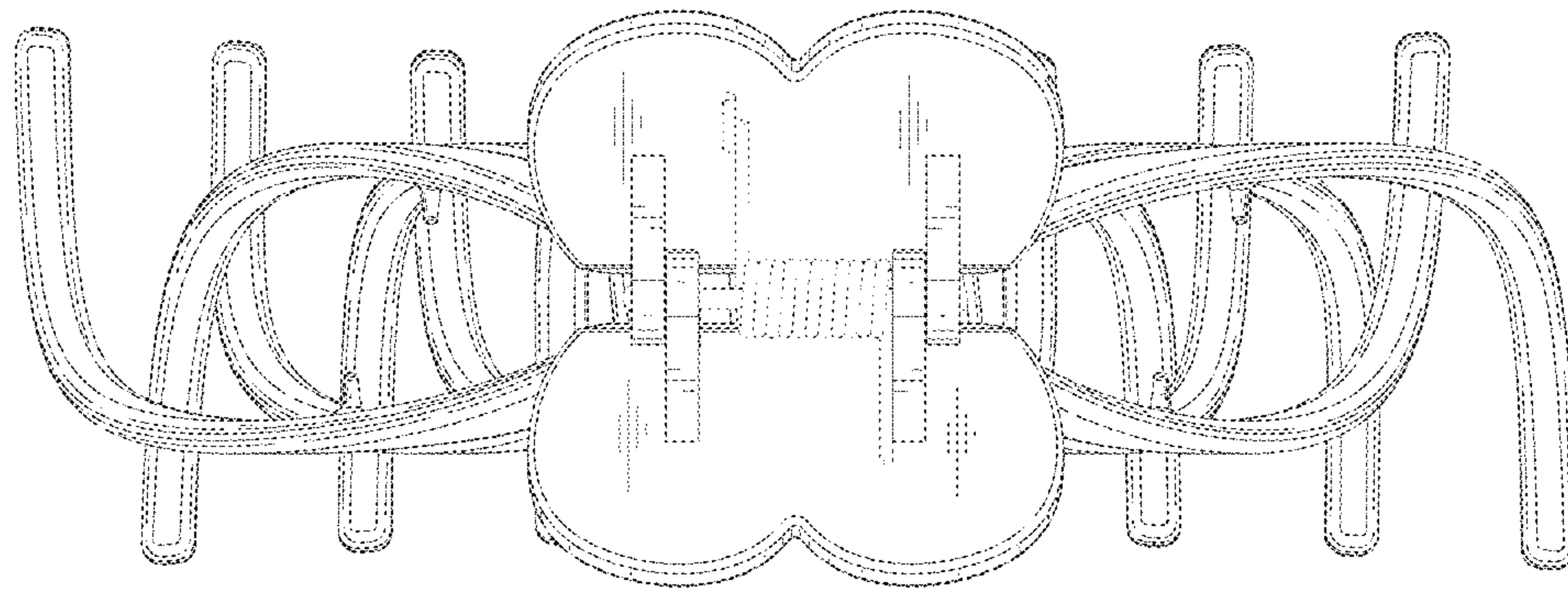


FIG. 7

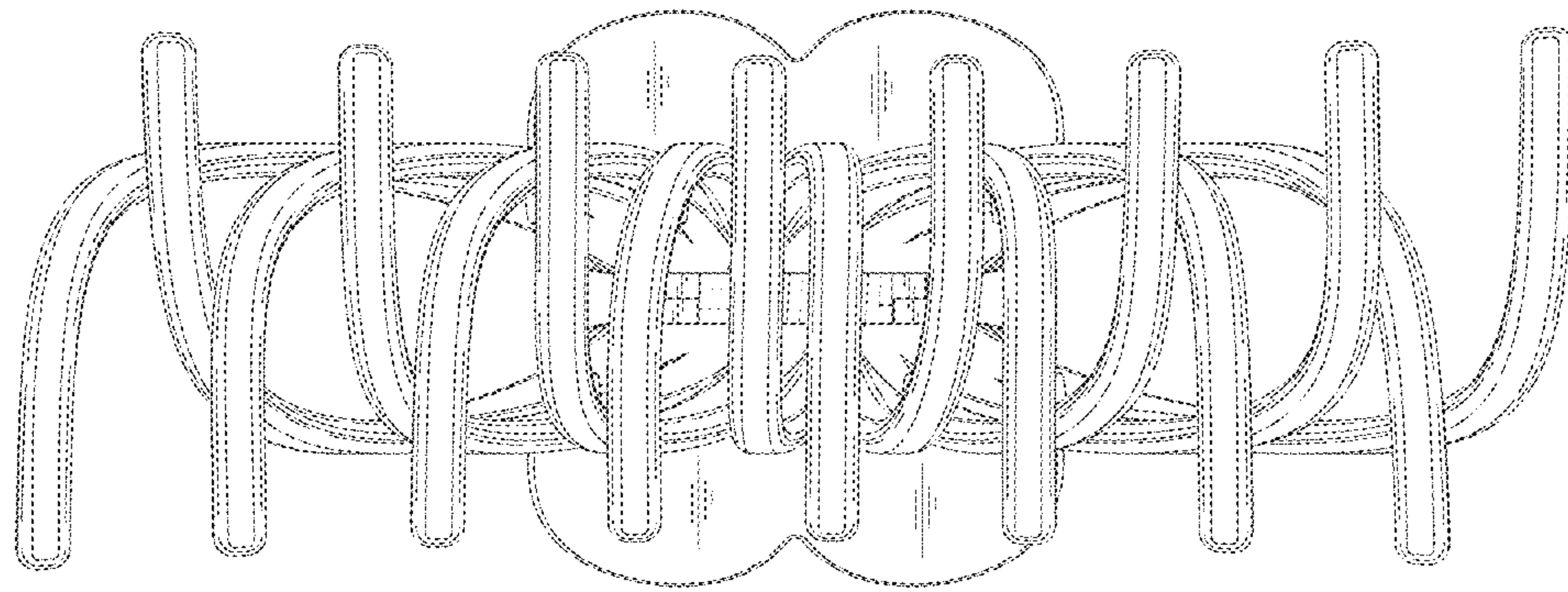


FIG. 8