



US00D975354S

(12) **United States Design Patent** (10) **Patent No.:** **US D975,354 S**
Xia (45) **Date of Patent:** **** Jan. 10, 2023**

(54) **HAIR CURLING IRON**
(71) Applicant: **Chengjiang Xia**, Meishan (CN)
(72) Inventor: **Chengjiang Xia**, Meishan (CN)
(**) Term: **15 Years**

D884,271 S * 5/2020 Liao D28/35
D908,284 S * 1/2021 Chandra D28/35
D915,670 S 4/2021 Huang
D921,290 S * 6/2021 Yang D28/35
D933,888 S * 10/2021 Huang D28/35
D949,475 S * 4/2022 Qi D28/35
11,350,720 B2 * 6/2022 Siu A45D 1/04
2014/0261524 A1 * 9/2014 Smith A45D 1/14
132/211

(21) Appl. No.: **29/838,846**

(22) Filed: **May 16, 2022**

(51) **LOC (14) Cl.** **28-03**

(52) **U.S. Cl.**
USPC **D28/35**

(58) **Field of Classification Search**
USPC D28/35
CPC ... A45D 2/40; A45D 1/00; A45D 1/04; A45D
1/28; A45D 1/06-14
See application file for complete search history.

(56) **References Cited**

U.S. PATENT DOCUMENTS

D457,683 S * 5/2002 Spagnolo D28/35
D469,576 S * 1/2003 Spagnolo D28/35
D556,949 S * 12/2007 Leung D28/35
D570,042 S * 5/2008 Leung D28/35
D570,046 S * 5/2008 Leung D28/35
D578,707 S * 10/2008 Leung D28/35
D580,097 S * 11/2008 Leung D28/35
D618,394 S * 6/2010 Keong D28/35
D726,961 S * 4/2015 Sayers D28/35
D821,031 S * 6/2018 Feng D28/35
D833,676 S * 11/2018 Lee D28/35

OTHER PUBLICATIONS

Beach Wave Rotating Hair Curling Iron by Lyealion, www.amazon.com, 1 page, first available Dec. 2021 (Year: 2021).*

* cited by examiner

Primary Examiner — Jennifer Rivard

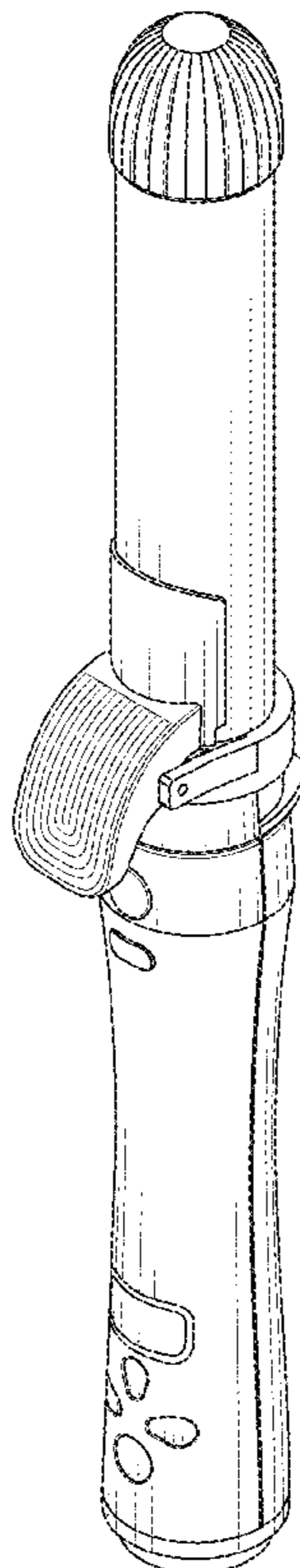
(57) **CLAIM**

The ornamental design for a hair curling iron, as show and described.

DESCRIPTION

FIG. 1 is a front perspective view of a hair curling iron, showing my new design;
FIG. 2 is a front view thereof;
FIG. 3 is a rear view thereof;
FIG. 4 is a left side view thereof;
FIG. 5 is a right side view thereof;
FIG. 6 is a top view thereof; and,
FIG. 7 is a bottom view thereof.

1 Claim, 6 Drawing Sheets



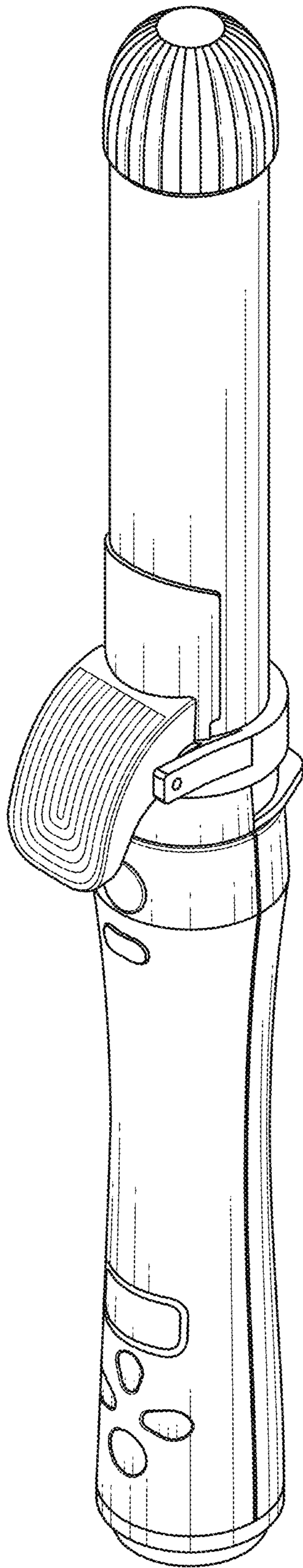


FIG. 1

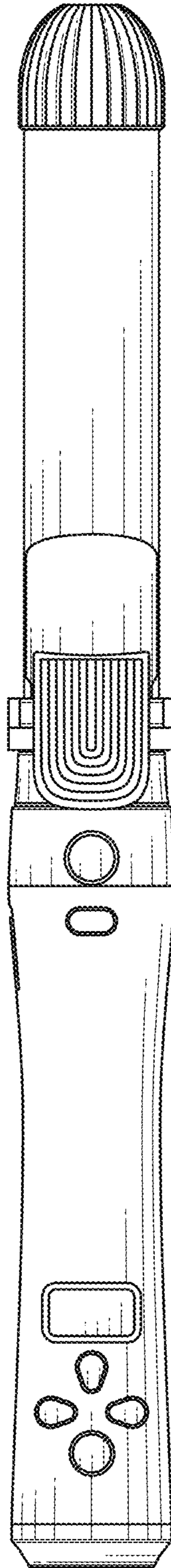


FIG. 2

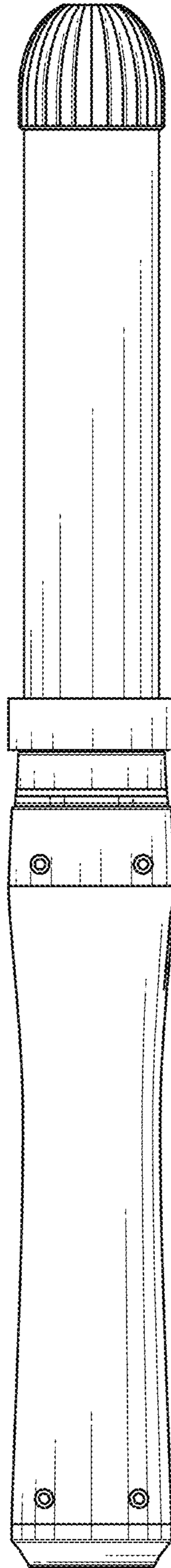


FIG. 3

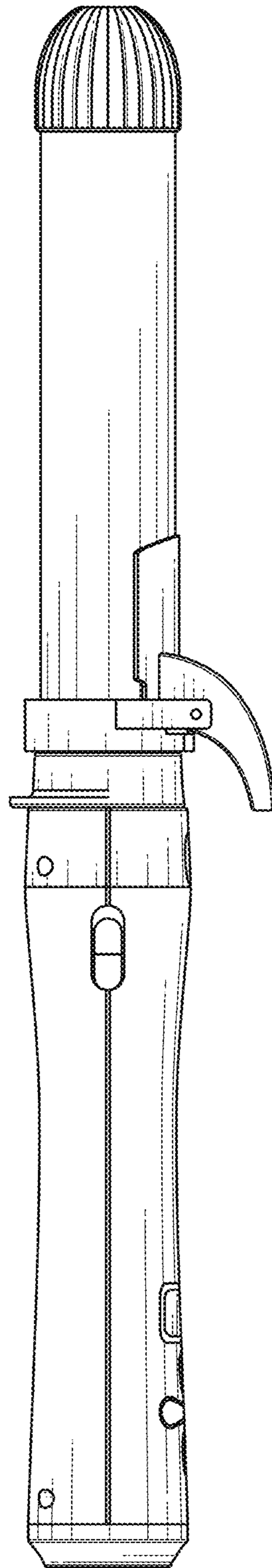


FIG. 4

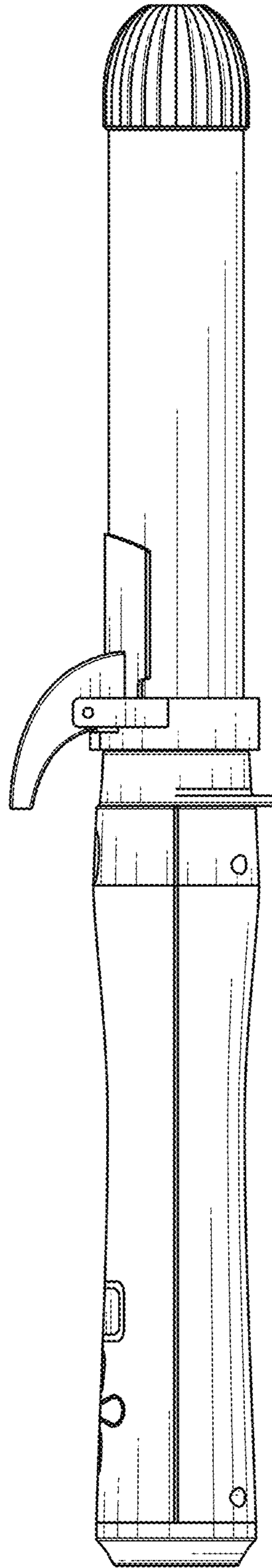


FIG. 5

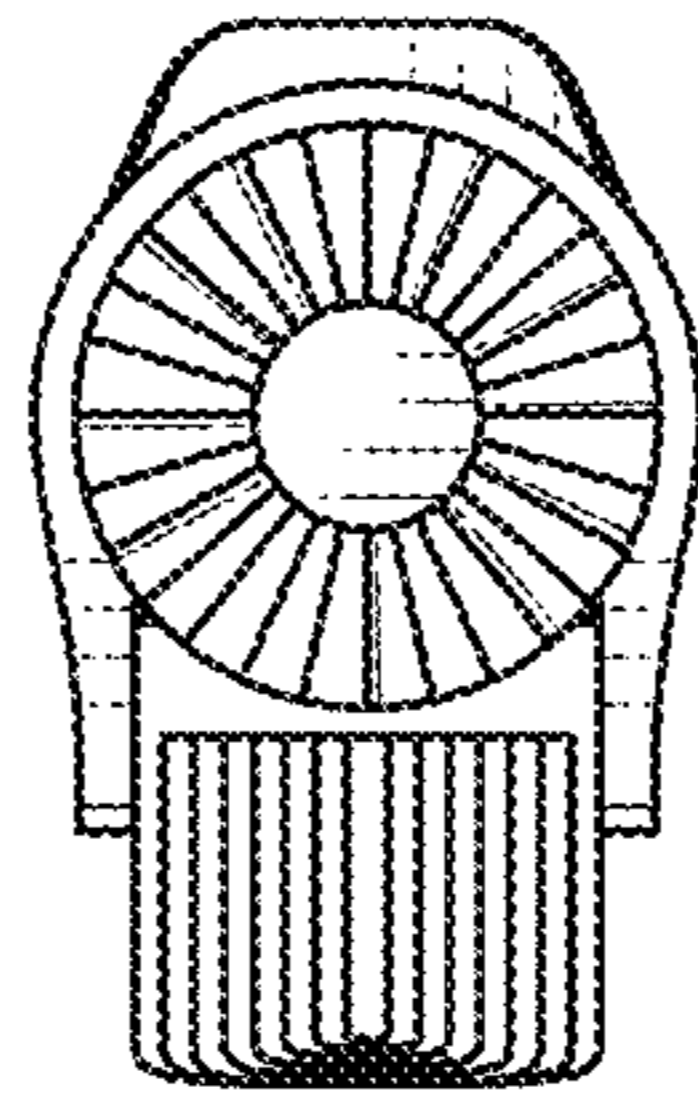


FIG. 6

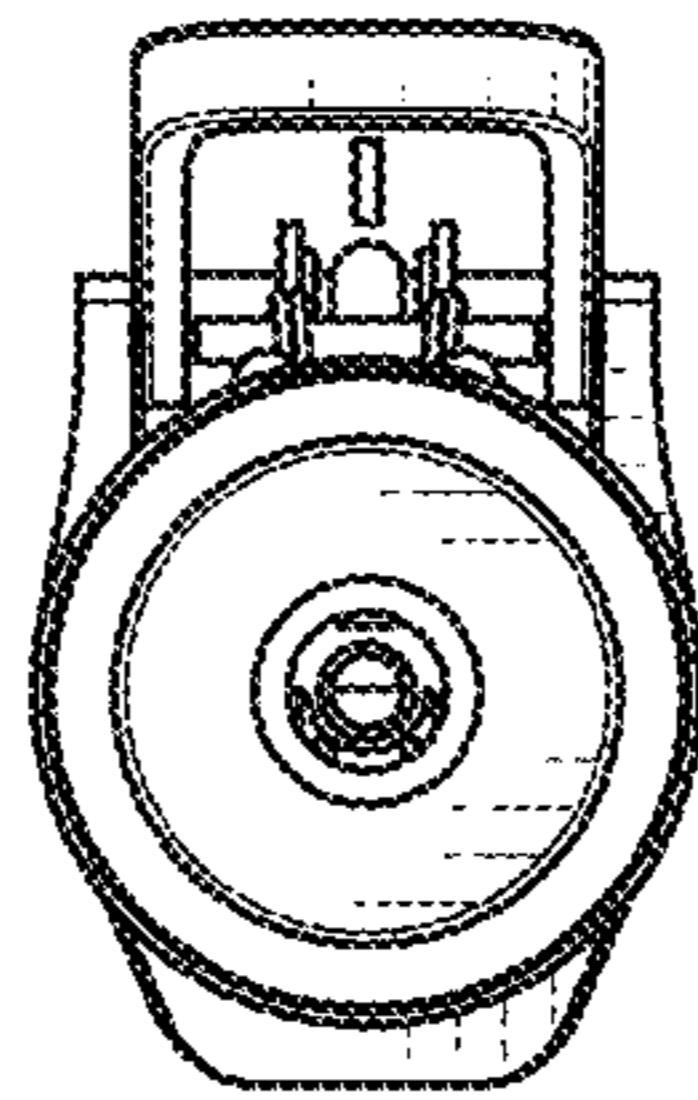


FIG. 7