



US00D975353S

(12) **United States Design Patent** (10) **Patent No.:** **US D975,353 S**  
**Yuan** (45) **Date of Patent:** **\*\* Jan. 10, 2023**

(54) **HOT COMB HAIR STRAIGHTENER**

D880,061 S \* 3/2020 Liao ..... D28/15  
D899,781 S \* 10/2020 Liang ..... D28/15  
D901,772 S \* 11/2020 Huang ..... D28/35

(71) Applicant: **Yufei Yuan**, Dongguan (CN)

(Continued)

(72) Inventor: **Yufei Yuan**, Dongguan (CN)

**FOREIGN PATENT DOCUMENTS**

(\*\*) Term: **15 Years**

EM 008752794-0001 \* 11/2021  
GB 9007203112-0001 \* 11/2019  
GB 6080885 \* 1/2020

(21) Appl. No.: **29/773,461**

(22) Filed: **Mar. 9, 2021**

**OTHER PUBLICATIONS**

(30) **Foreign Application Priority Data**

Dec. 30, 2020 (CN) ..... 202030817458.2

Hair Dryer Hot Air Brush . . . [on-line]. [Original publication date unknown.] [Retrieved from the Internet on Oct. 21, 2022.] URL: <<https://www.walmart.com/ip/Hair-Dryer-Hot-Air-Brush-One-Step-Hair-Dryer-Styler-for-Women-Men-and-Straightener-Curling-Irong-Brush/594656811>> (Year: 2022).\*

(51) **LOC (14) Cl.** ..... **28-03**

(52) **U.S. Cl.**  
USPC ..... **D28/35; D4/100**

*Primary Examiner* — Karen E Eldridge Powers

(58) **Field of Classification Search**  
USPC ..... D4/100, 127, 128, 130, 132, 133, 134,  
D4/135, 136, 137, 138, 199; D28/10, 13,  
D28/25, 28, 35, 15, 24  
CPC ..... A45D 20/00; A45D 20/08; A45D 20/50;  
A45D 20/52  
See application file for complete search history.

(57) **CLAIM**

The ornamental design for a hot comb hair straightener, as shown and described.

(56) **References Cited**

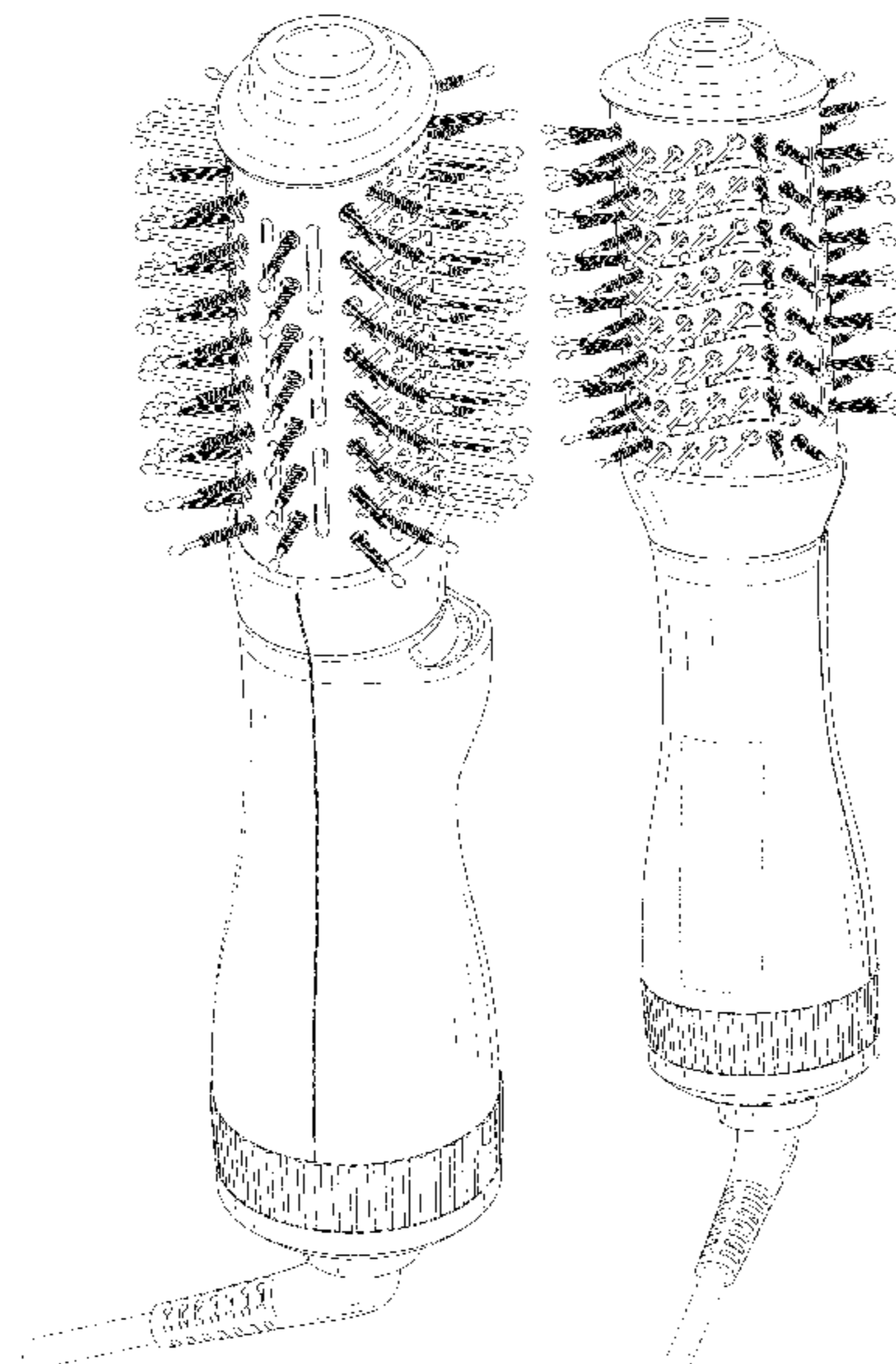
**U.S. PATENT DOCUMENTS**

3,903,905 A \* 9/1975 Tucker ..... A45D 20/50  
34/91  
4,430,808 A \* 2/1984 Toyomi ..... A45D 20/50  
34/97  
4,564,032 A \* 1/1986 Araki ..... A46D 1/00  
219/222  
D383,245 S \* 9/1997 Seifert ..... D28/35  
5,911,226 A \* 6/1999 Vecchiola ..... A46B 15/0002  
132/226  
6,725,562 B2 \* 4/2004 Nakagawa ..... A45D 20/12  
34/96  
D544,214 S \* 6/2007 Wang ..... D4/128  
D879,374 S \* 3/2020 Liao ..... D28/13

**DESCRIPTION**

FIG. 1 is a top, front and left side perspective view of a hot comb hair straightener showing my new design;  
FIG. 2 is a bottom, front and right side perspective view thereof;  
FIG. 3 is a top, front and right side perspective view thereof;  
FIG. 4 is a front elevational view thereof;  
FIG. 5 is a rear elevational view thereof;  
FIG. 6 is a left side elevational view thereof;  
FIG. 7 is a right side elevational view thereof;  
FIG. 8 is a top plan view thereof;  
FIG. 9 is a bottom plan view thereof; and,  
FIG. 10 is an enlarged view of portion 10 shown in FIG. 2. The broken lines in the drawings depict portions of the hot comb hair straightener that form no part of the claimed design.

**1 Claim, 10 Drawing Sheets**



(56)

**References Cited**

U.S. PATENT DOCUMENTS

D902,482 S	*	11/2020	Koenemann .....	D28/35
D903,941 S	*	12/2020	Koenemann .....	D28/35
D908,956 S	*	1/2021	Kwok .....	D28/35
D915,775 S	*	4/2021	Moon .....	D4/128
D921,291 S	*	6/2021	Zhang .....	D4/133
D934,497 S	*	10/2021	Hillebrecht .....	D28/35
D934,498 S	*	10/2021	Hillebrecht .....	D28/35
D934,567 S	*	11/2021	Liang .....	D4/134
D935,186 S	*	11/2021	Wansooriya Mudiyanse- lage .....	D4/100
D941,526 S	*	1/2022	Hillebrecht .....	D28/35
D942,757 S	*	2/2022	Zhang .....	D28/35
D957,055 S	*	7/2022	Zheng .....	D28/35
D961,156 S	*	8/2022	Lai .....	D28/35

\* cited by examiner

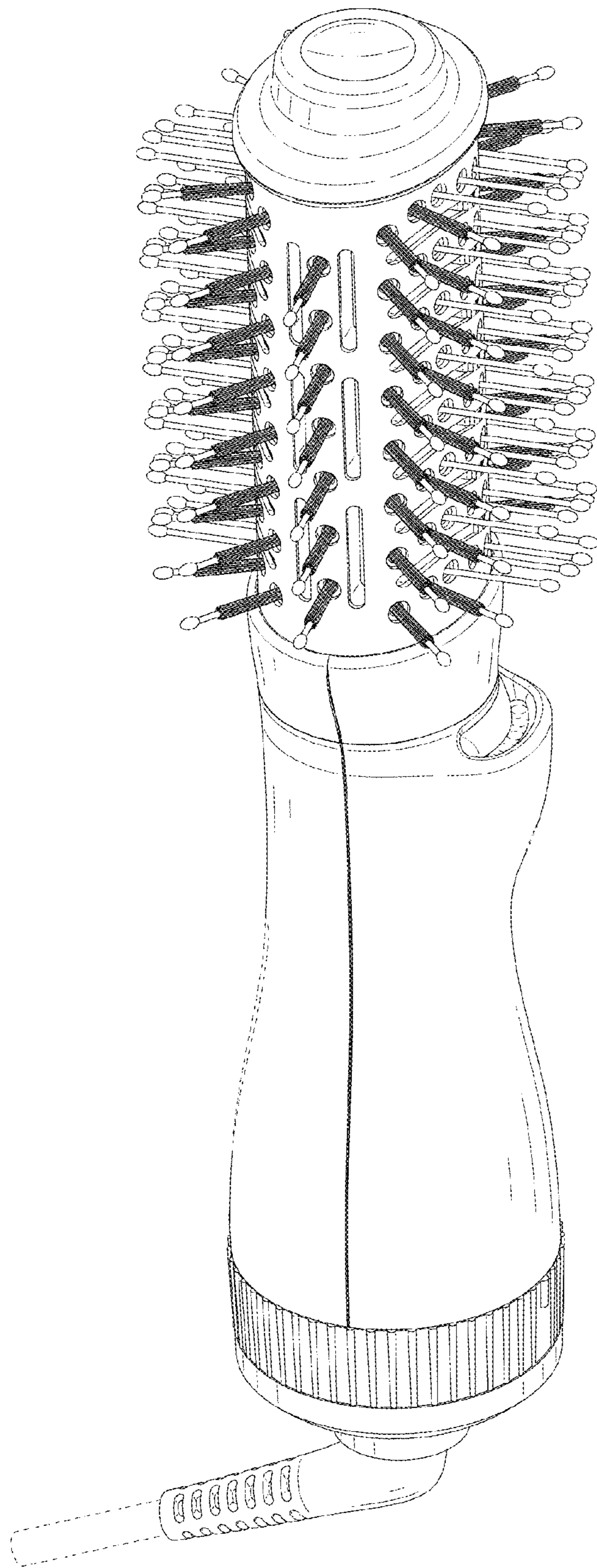


FIG. 1

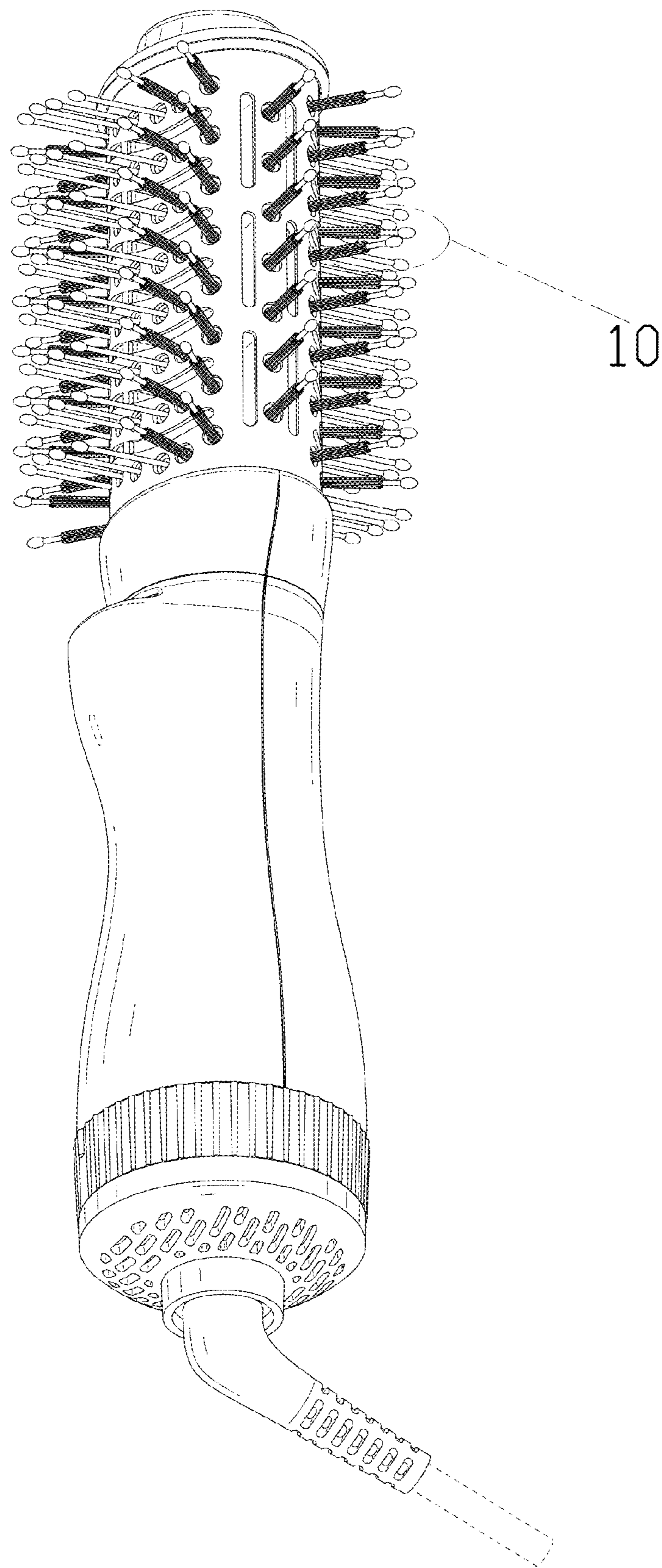


FIG. 2

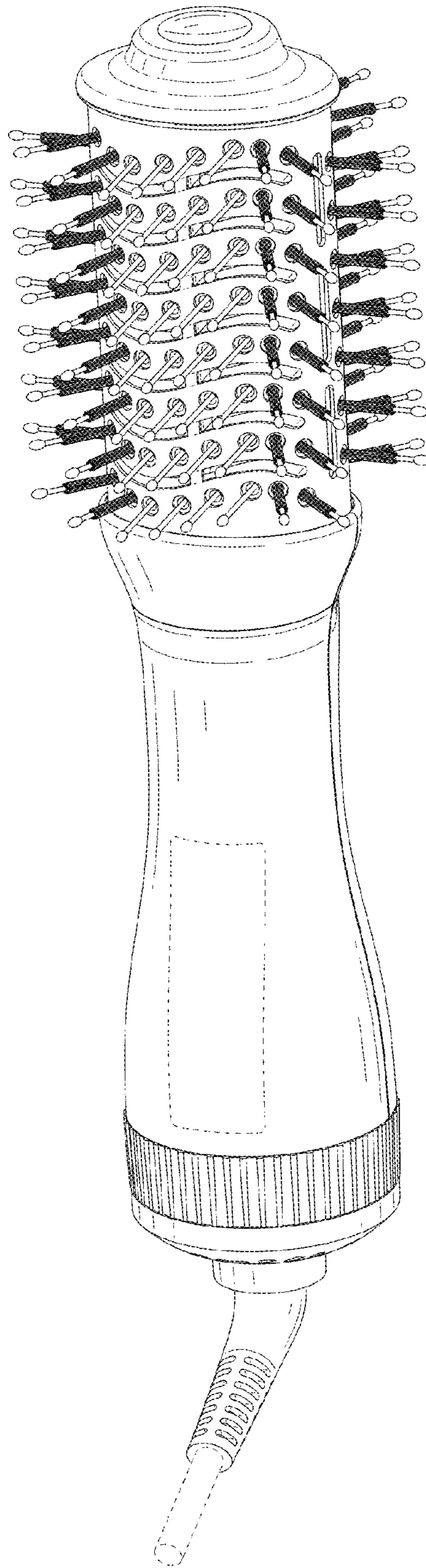


FIG. 3

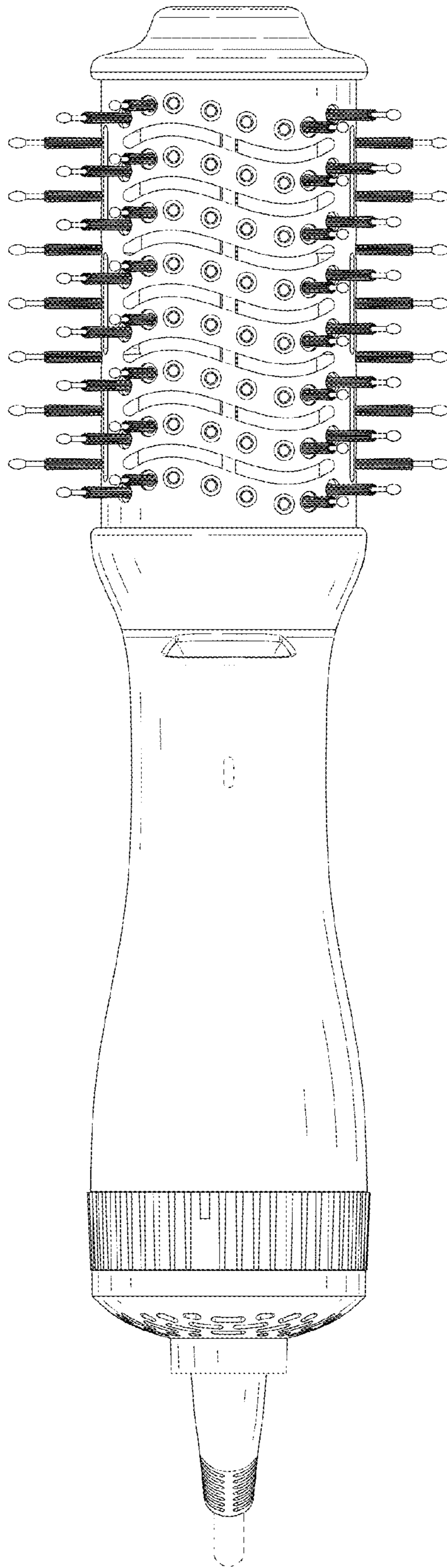


FIG. 4

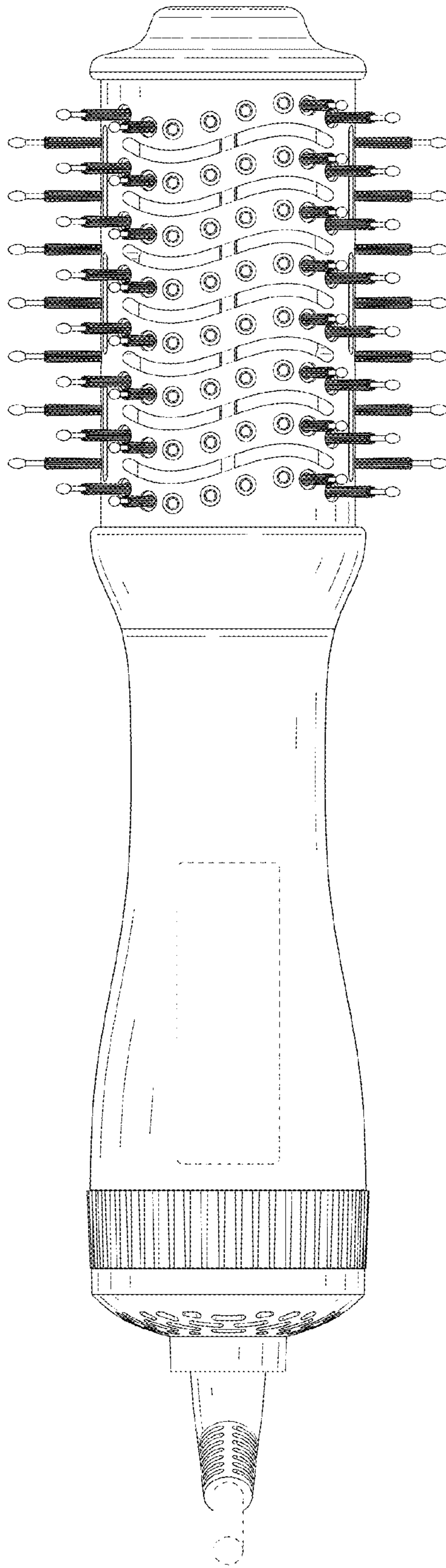


FIG. 5

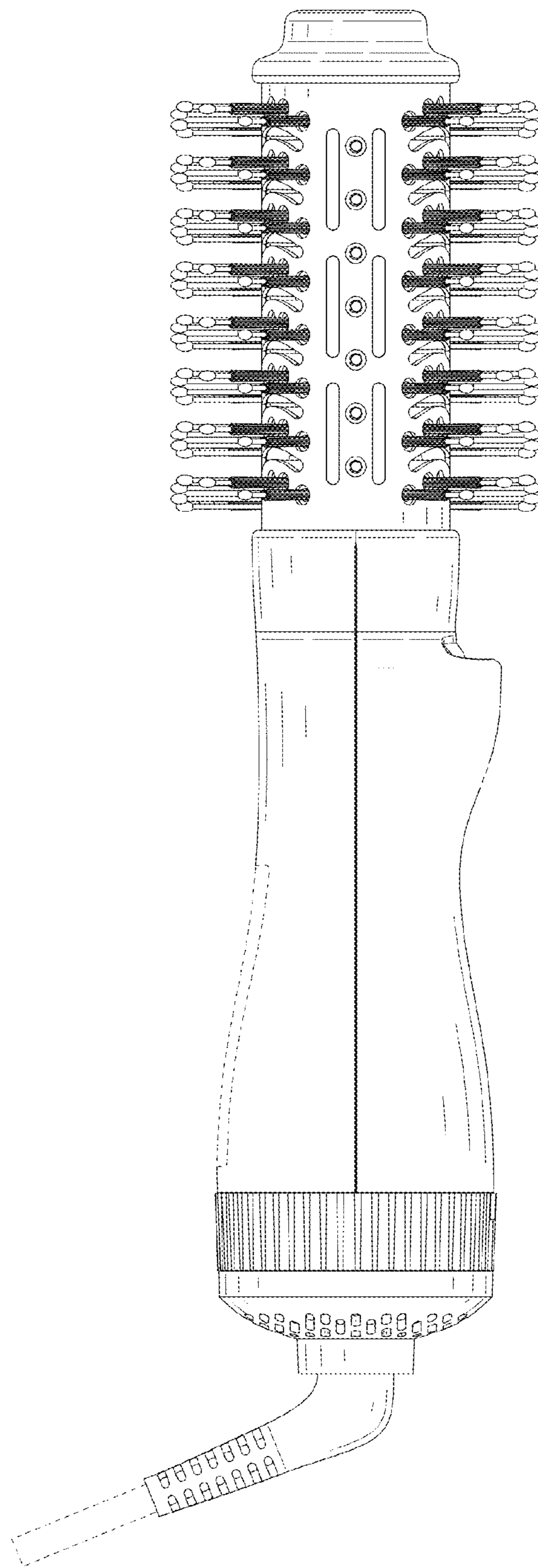


FIG. 6



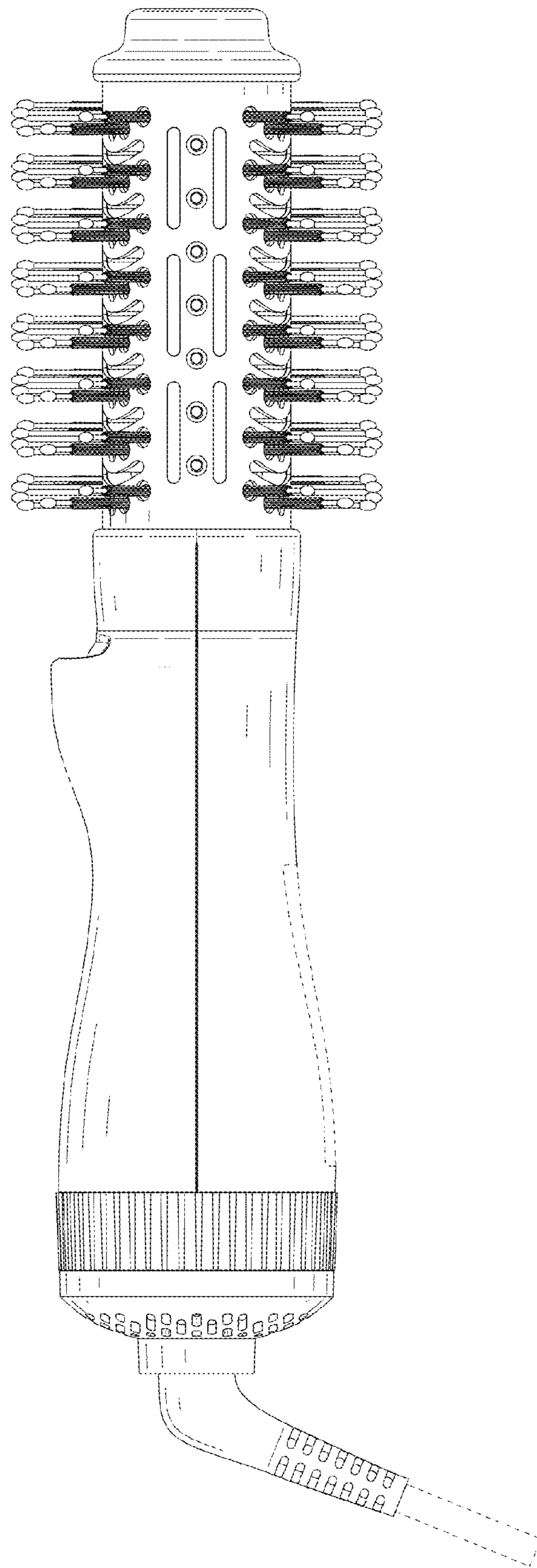


FIG. 7

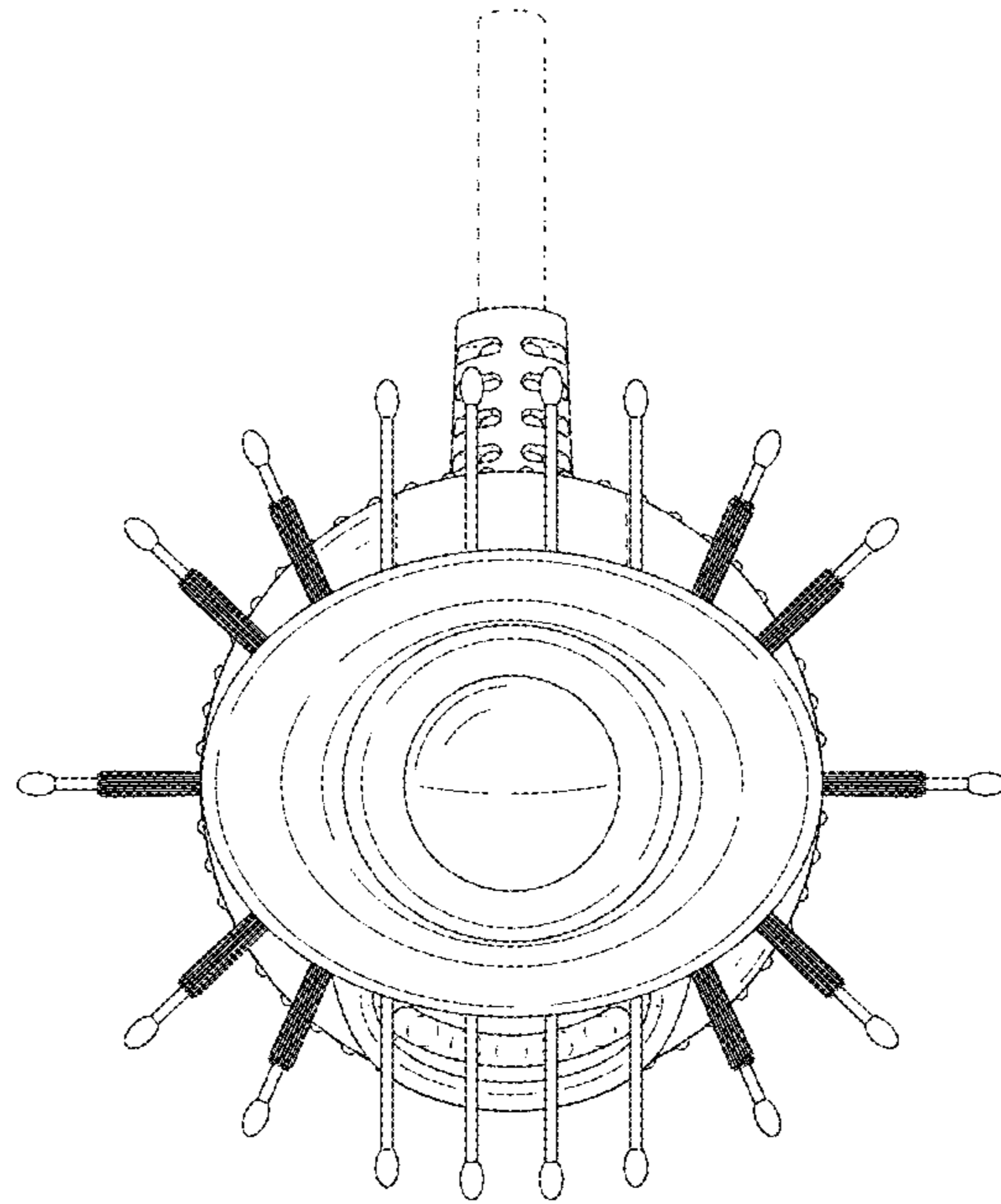


FIG. 8

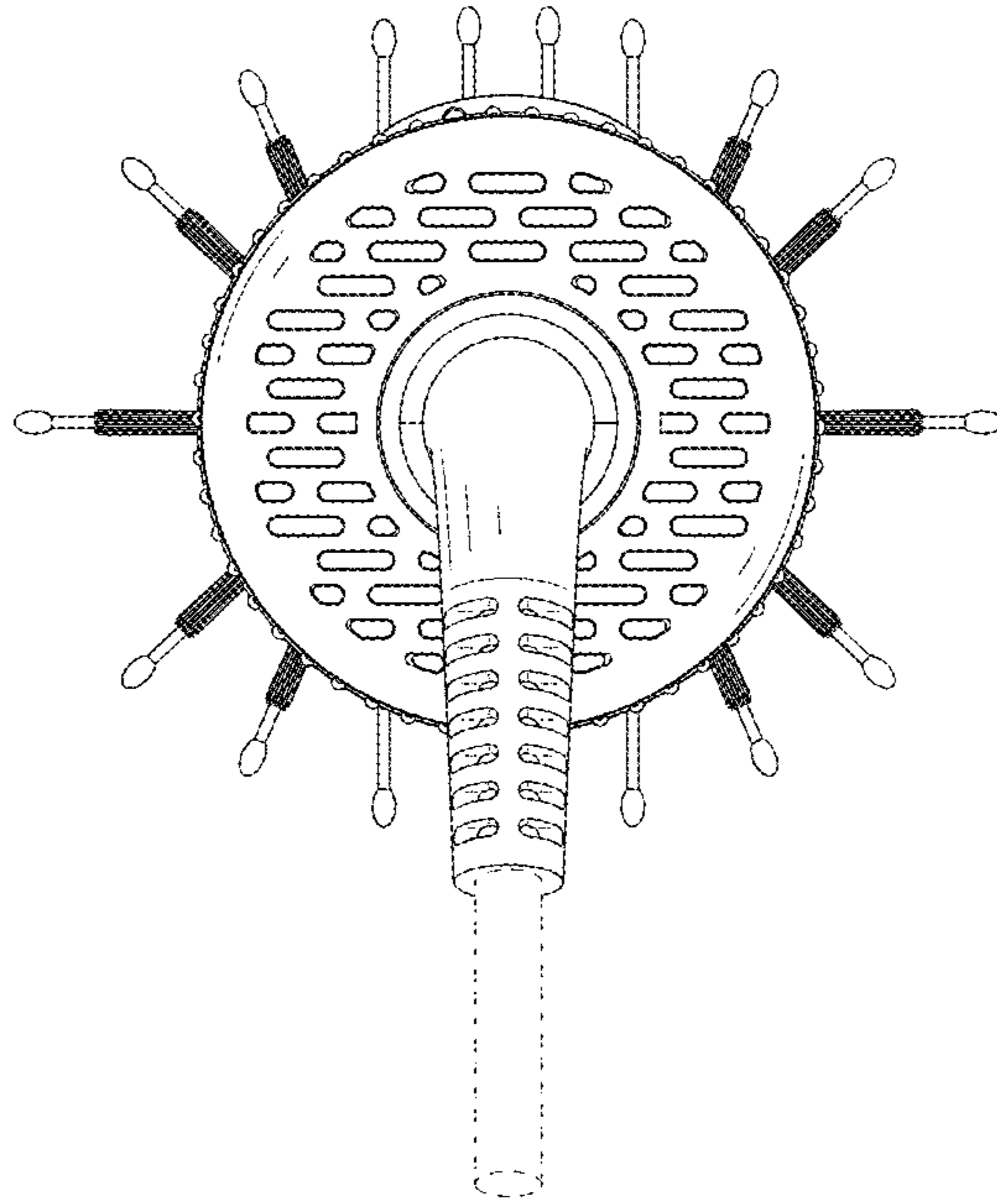


FIG. 9

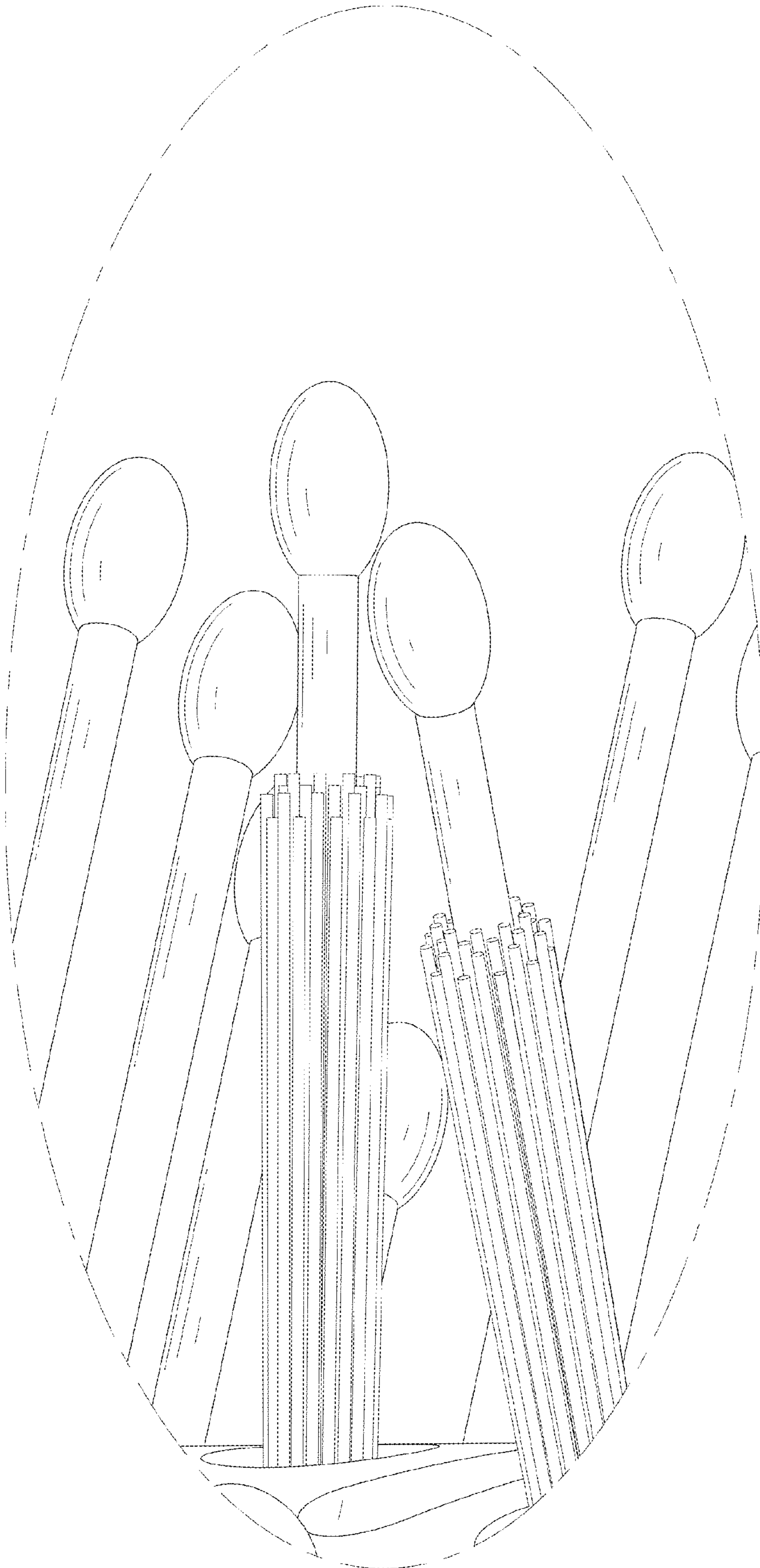


FIG. 10