



US00D975352S

(12) **United States Design Patent**
Yuan

(10) **Patent No.:** **US D975,352 S**
(45) **Date of Patent:** **** Jan. 10, 2023**

(54) **HOT COMB HAIR STRAIGHTENER**

(71) Applicant: **Yufei Yuan**, Dongguan (CN)

(72) Inventor: **Yufei Yuan**, Dongguan (CN)

(**) Term: **15 Years**

(21) Appl. No.: **29/773,457**

(22) Filed: **Mar. 9, 2021**

(30) **Foreign Application Priority Data**

Dec. 30, 2020 (CN) 202030817458.2

(51) **LOC (14) Cl.** **28-03**

(52) **U.S. Cl.**
USPC **D28/35; D4/100**

(58) **Field of Classification Search**
USPC D4/100, 127, 128, 130, 132, 133, 134,
D4/135, 136, 137, 138, 199; D28/10, 13,
D28/25, 28, 35, 15, 24
CPC A45D 20/00; A45D 20/08; A45D 20/50;
A45D 20/52
See application file for complete search history.

(56) **References Cited**

U.S. PATENT DOCUMENTS

3,903,905	A *	9/1975	Tucker	A45D 20/50 34/91
4,430,808	A *	2/1984	Toyomi	A45D 20/50 34/97
4,564,032	A *	1/1986	Araki	A46D 1/00 219/222
D383,245	S *	9/1997	Seifert	D28/35
5,911,226	A *	6/1999	Vecchiola	A46B 15/0002 132/226
6,725,562	B2 *	4/2004	Nakagawa	A45D 20/12 34/96
D544,214	S *	6/2007	Wang	D4/128
D879,374	S *	3/2020	Liao	D28/13
D880,061	S *	3/2020	Liao	D28/15
D899,781	S *	10/2020	Liang	D28/15

D901,772	S *	11/2020	Huang	D28/35
D902,482	S *	11/2020	Koenemann	D28/35
D903,941	S *	12/2020	Koenemann	D28/35
D908,956	S *	1/2021	Kwok	D28/35
D915,775	S *	4/2021	Moon	D4/128

(Continued)

FOREIGN PATENT DOCUMENTS

EM	008752794-0001	*	11/2021
GB	9007203112-0001	*	11/2019
GB	6080885	*	1/2020

OTHER PUBLICATIONS

Hair Dryer Hot Air Brush . . . [on-line]. [Original publication date unknown.] [Retrieved from the Internet on Oct. 21, 2022.] URL: <<https://www.walmart.com/ip/Hair-Dryer-Hot-Air-Brush-One-Step-Hair-Dryer-Styler-for-Women-Men-and-Straightener-Curling-Irong-Brush/594656811>> (Year: 2022).*

Primary Examiner — Karen E Eldridge Powers

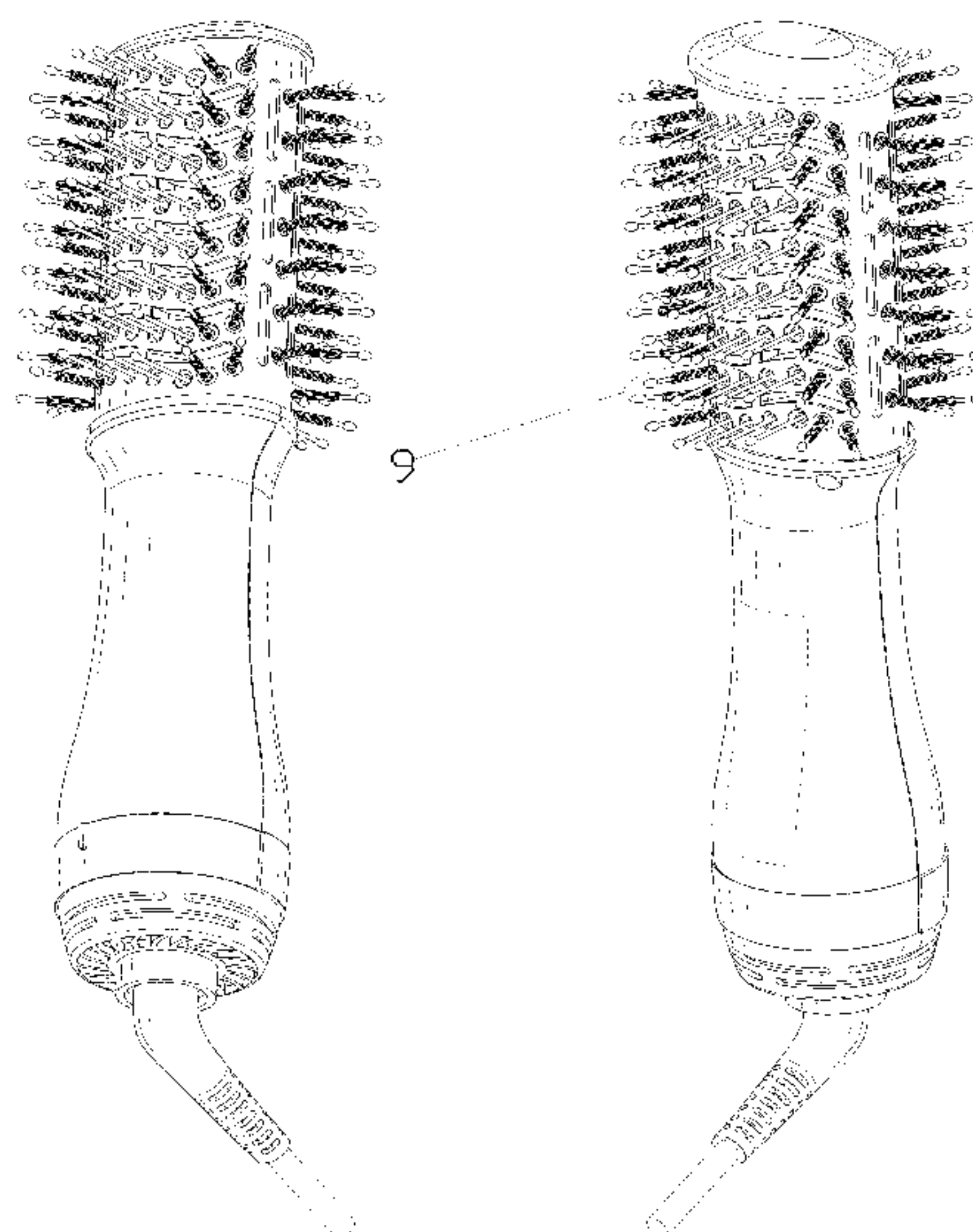
(57) **CLAIM**

The ornamental design for a hot comb hair straightener, as shown and described.

DESCRIPTION

FIG. 1 is a bottom, front and right side perspective view of a hot comb hair straightener showing my new design; FIG. 2 is top, rear and left side perspective view thereof; FIG. 3 is a front elevational view thereof; FIG. 4 is a rear elevational view thereof; FIG. 5 is a left side elevational view thereof; FIG. 6 is a right side elevational view thereof; FIG. 7 is a top plan view thereof; FIG. 8 is a bottom plan view thereof; and, FIG. 9 is an enlarged view of portion 9 shown in FIG. 2. The broken lines in the drawings depict portions of the hot comb hair straightener that form no part of the claimed design.

1 Claim, 9 Drawing Sheets



(56)

References Cited

U.S. PATENT DOCUMENTS

D921,291 S *	6/2021	Zhang	D4/133
D934,497 S *	10/2021	Hillebrecht	D28/35
D934,498 S *	10/2021	Hillebrecht	D28/35
D934,567 S *	11/2021	Liang	D4/134
D935,186 S *	11/2021	Wansooriya Mudiyanse- lage	D4/100
D941,526 S *	1/2022	Hillebrecht	D28/35
D942,757 S *	2/2022	Zhang	D28/35
D957,055 S *	7/2022	Zheng	D28/35
D961,156 S *	8/2022	Lai	D28/35

* cited by examiner

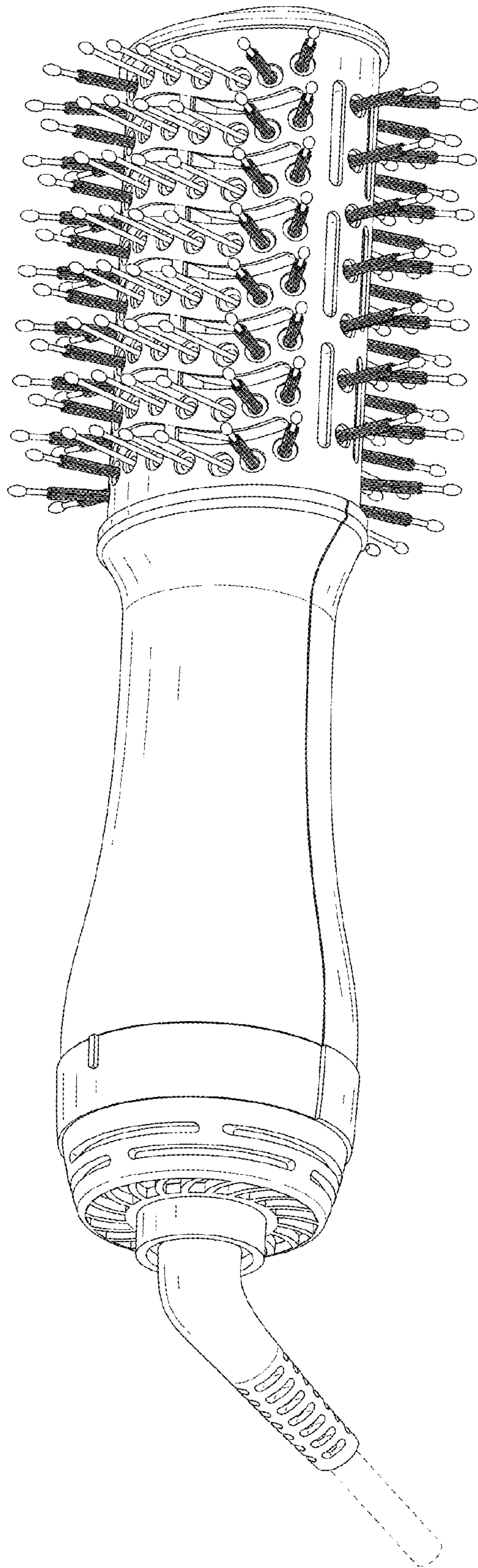


FIG. 1

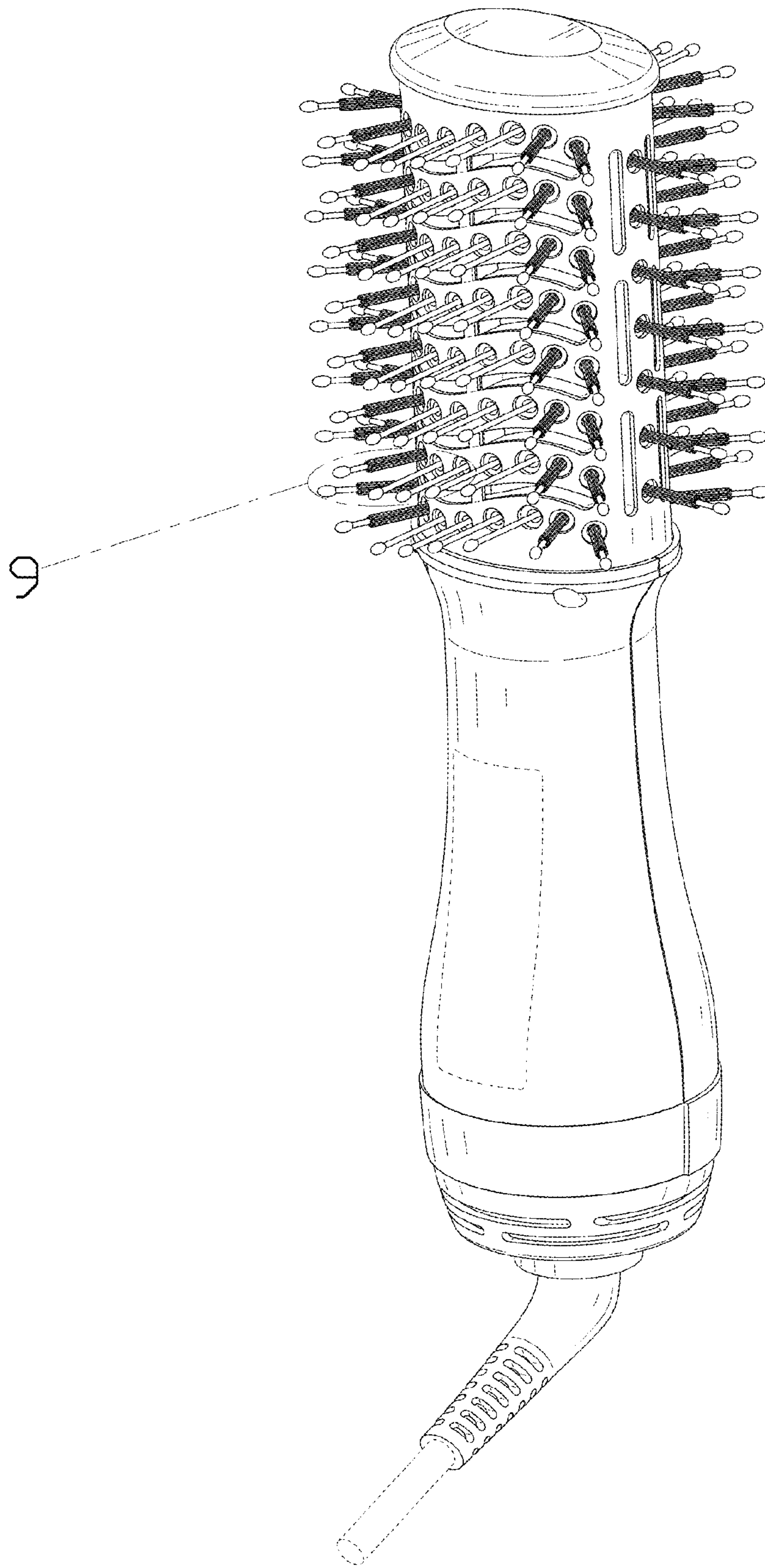


FIG. 2

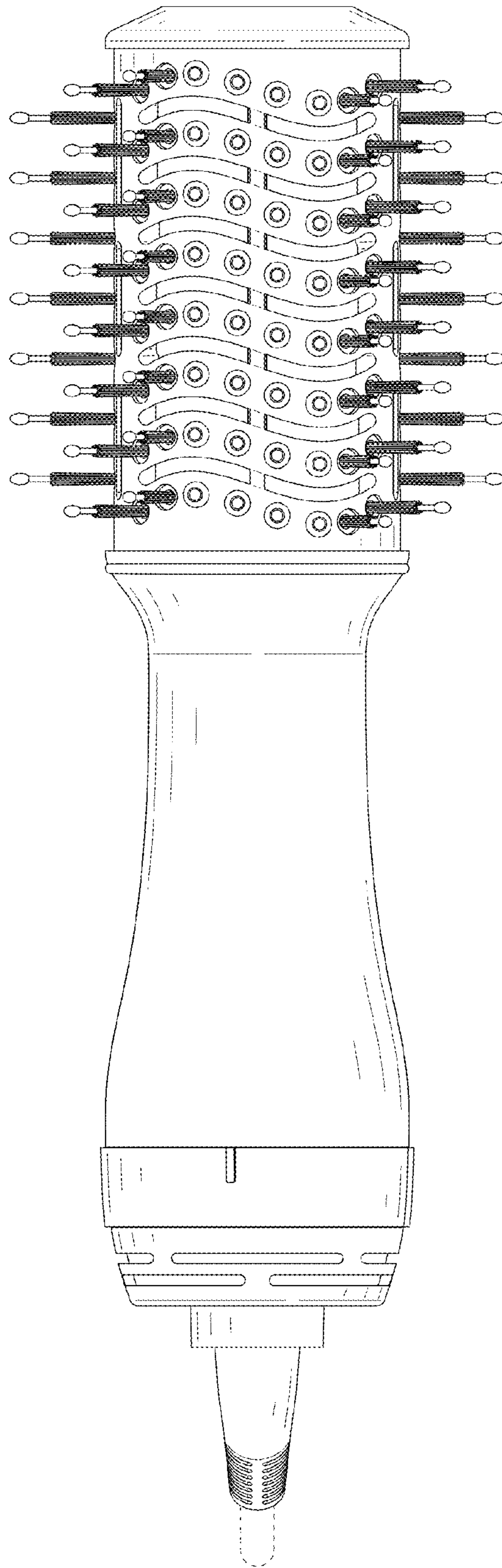


FIG. 3

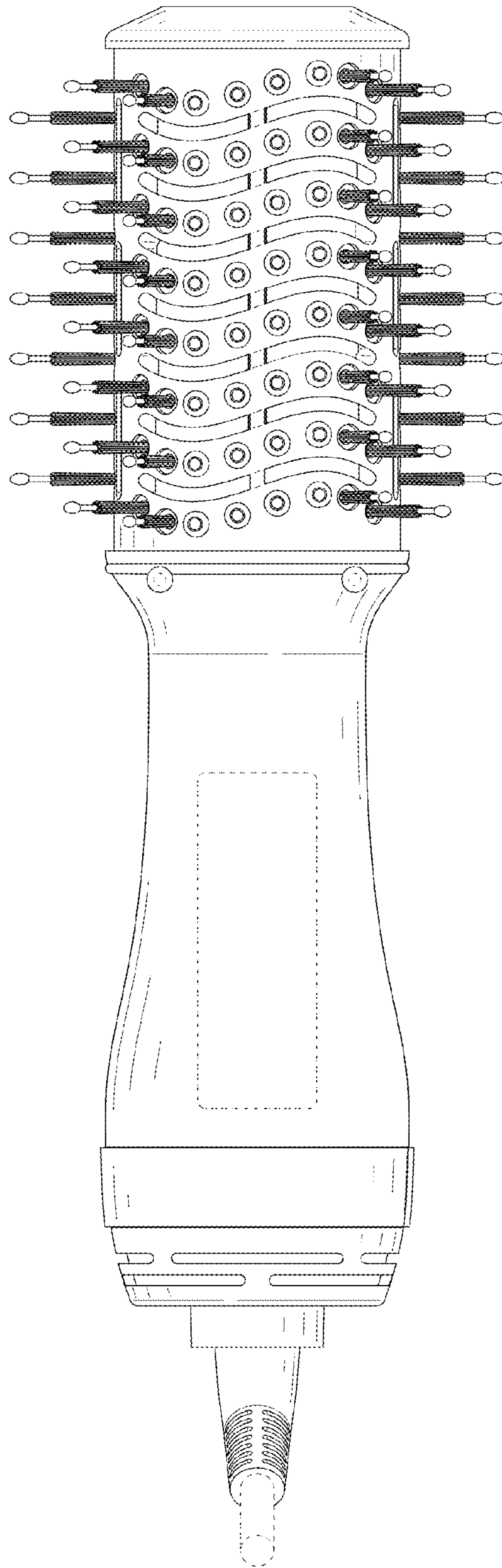


FIG. 4

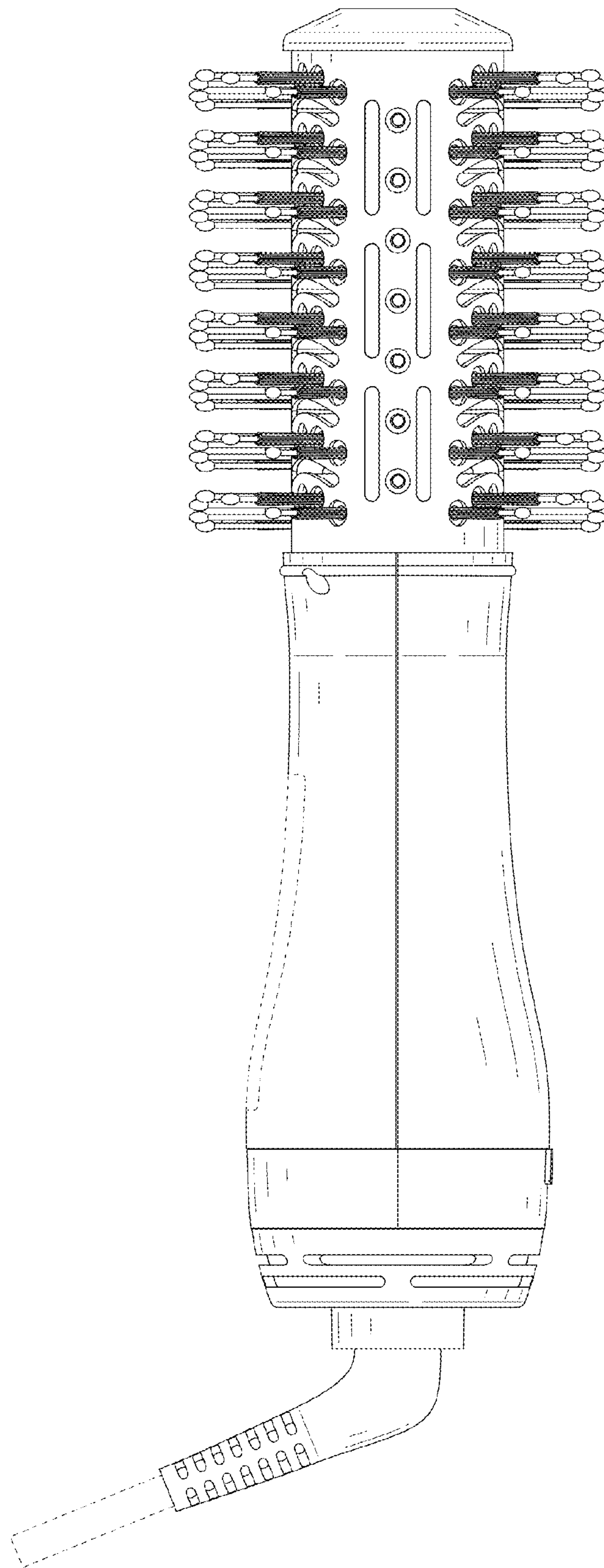


FIG. 5

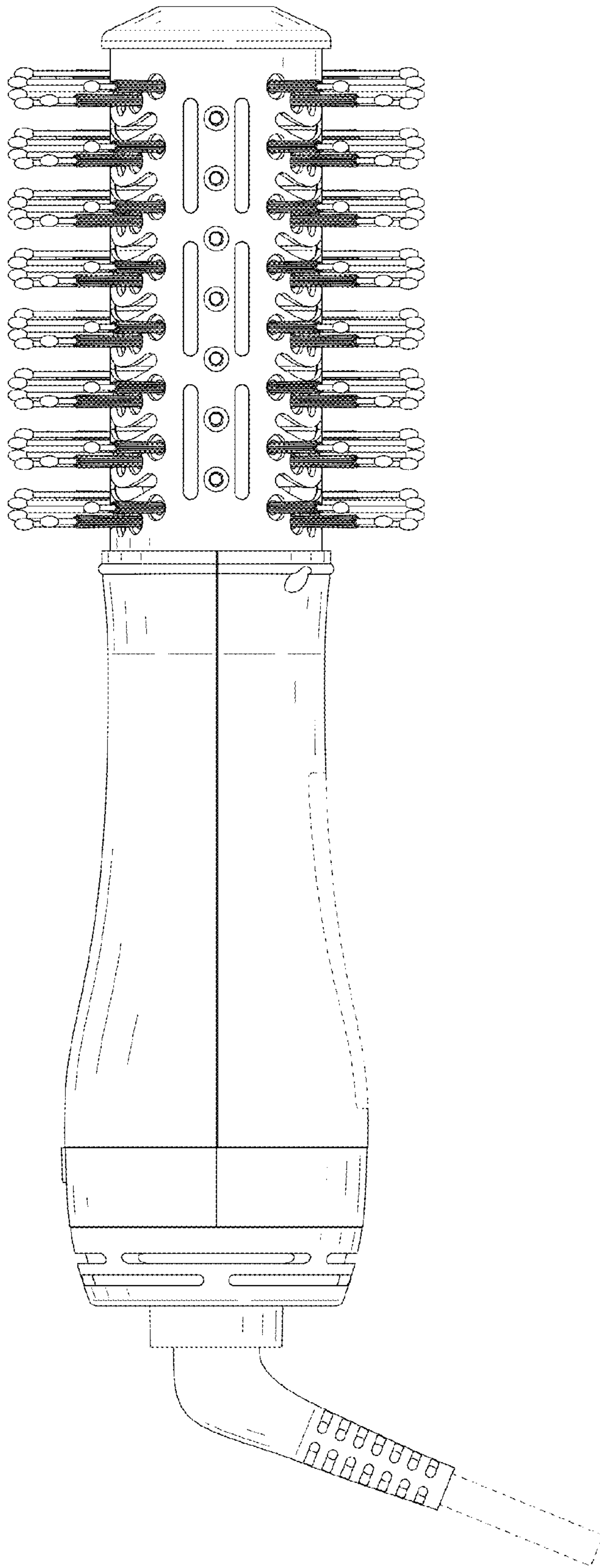


FIG. 6

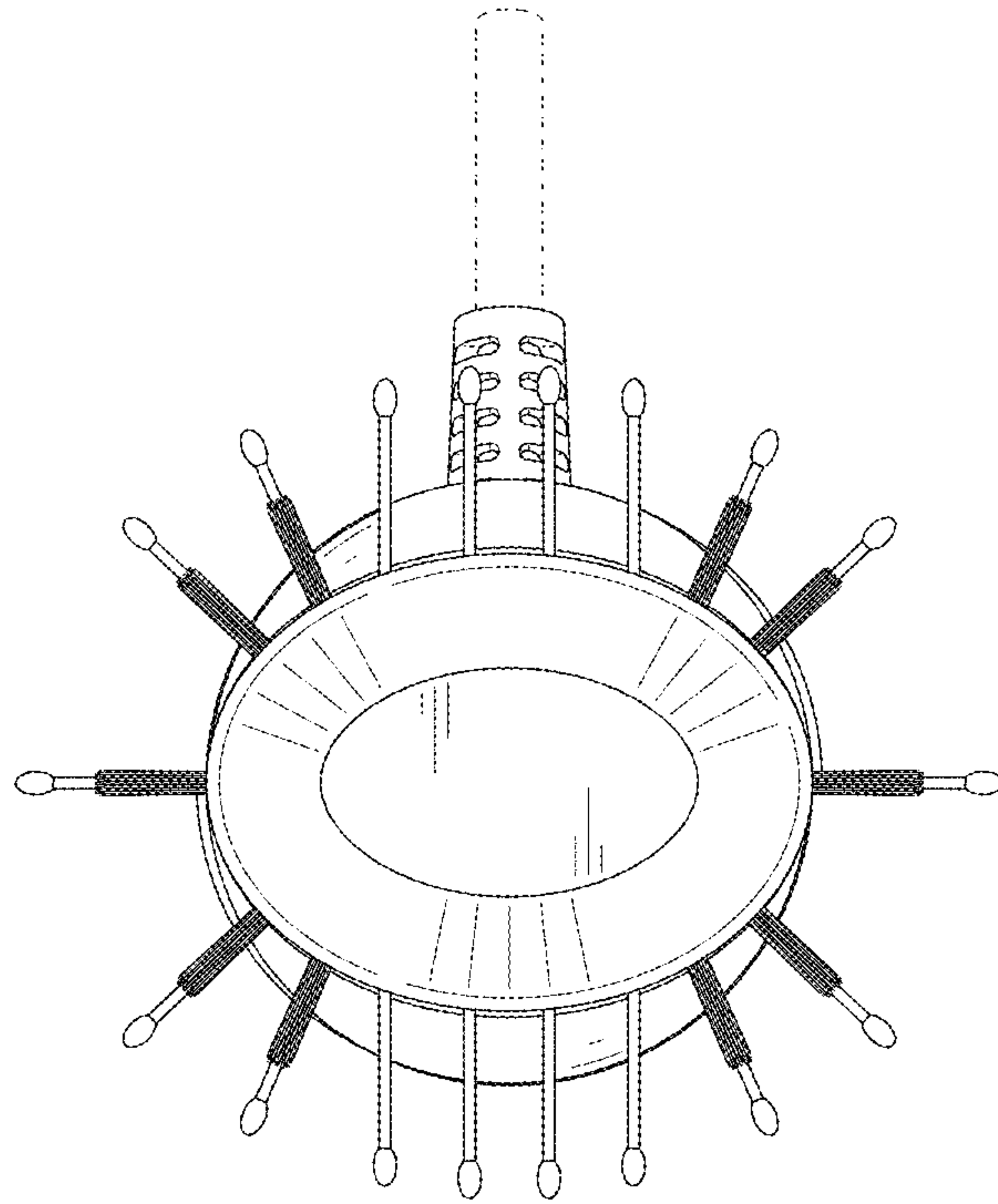


FIG. 7

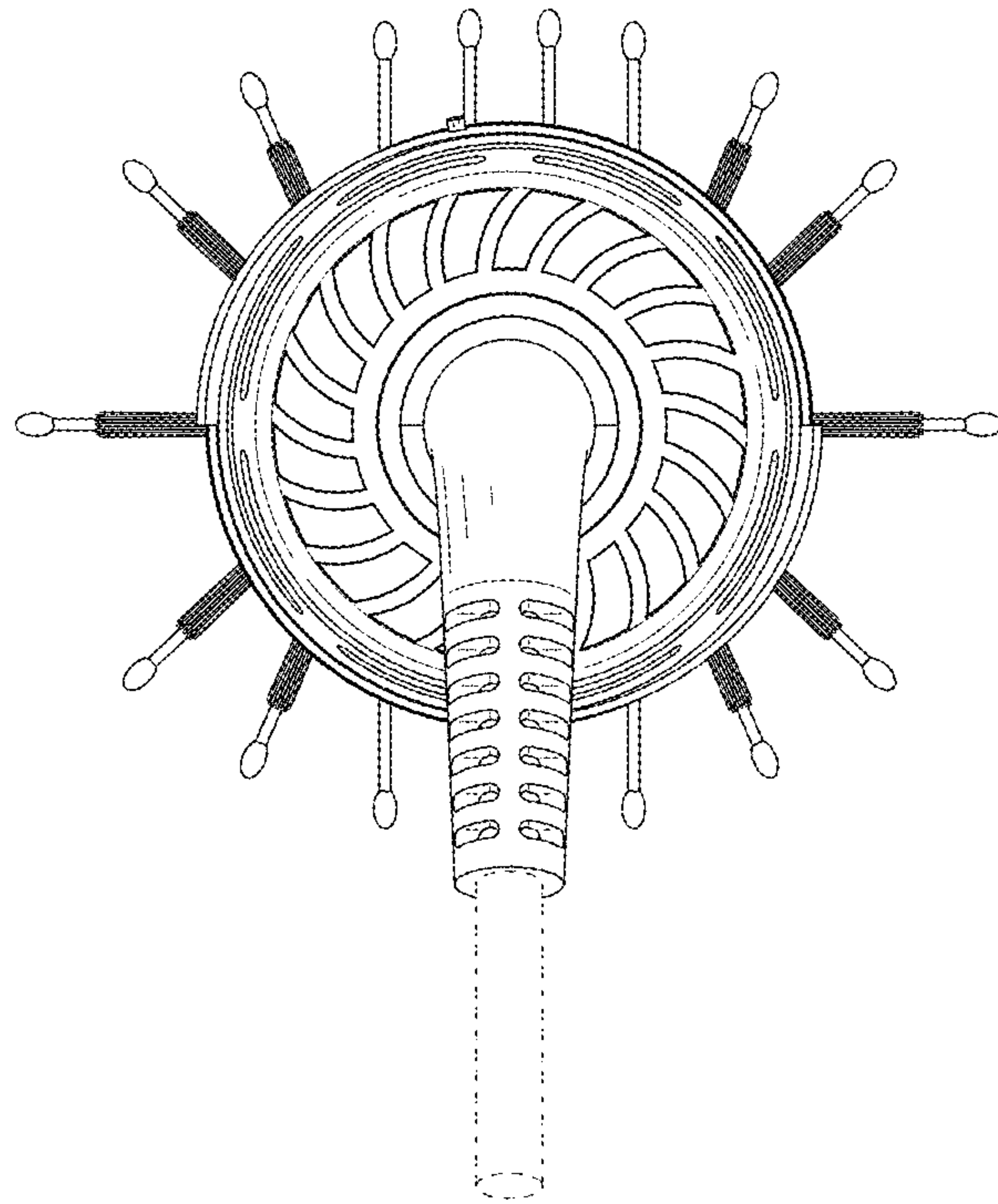


FIG. 8

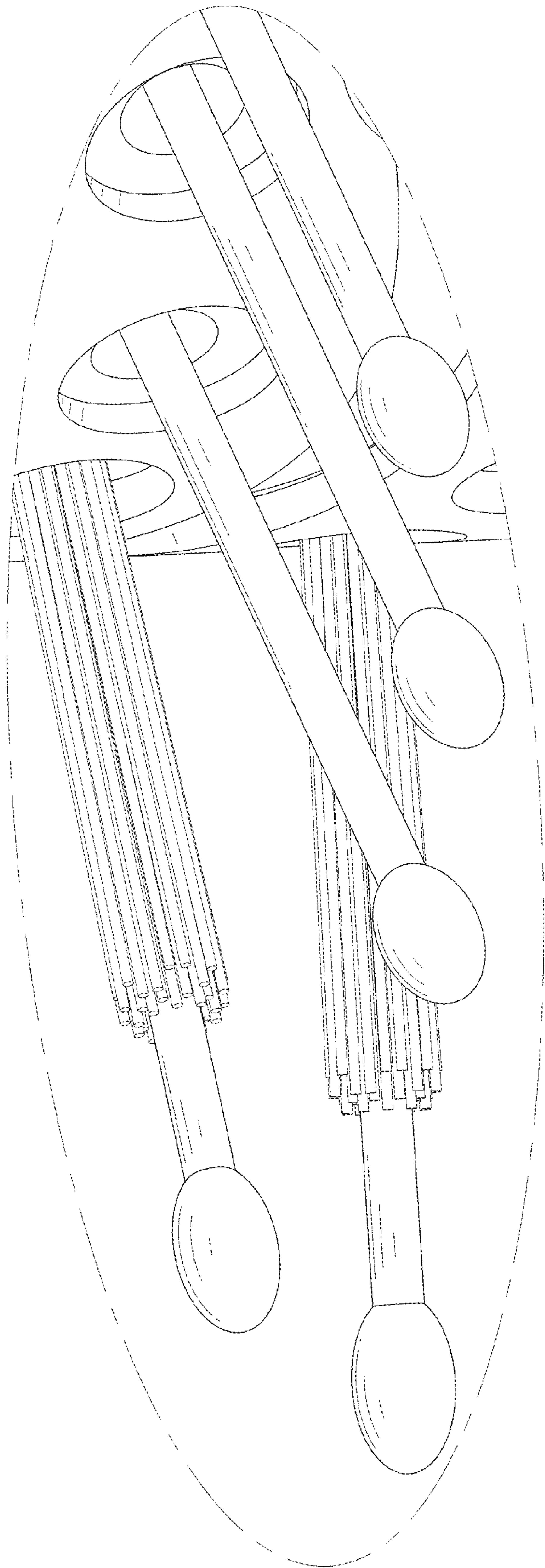


FIG. 9